

US00D550464S

(12) **United States Design Patent**
Bauchet

(10) **Patent No.:** **US D550,464 S**

(45) **Date of Patent:** **** Sep. 11, 2007**

(54) **SEAT**

(75) Inventor: **Francois Bauchet**, Paris (FR)

(73) Assignee: **Cinna** (FR)

(**) Term: **14 Years**

(21) Appl. No.: **29/263,164**

(22) Filed: **Jul. 18, 2006**

(30) **Foreign Application Priority Data**

Jan. 18, 2006 (EP) 000469895-0001

(51) **LOC (8) Cl.** **06-01**

(52) **U.S. Cl.** **D6/334**

(58) **Field of Classification Search** D6/334,
D6/370, 374, 379-381, 500-502; 297/445.1,
297/446.1; 5/12.1

See application file for complete search history.

(56) **References Cited**

U.S. PATENT DOCUMENTS

- 2,989,112 A * 6/1961 Sonnleitner 156/213
- D203,041 S * 11/1965 Regan D6/334
- D227,054 S * 6/1973 Lohmeyer D6/334
- D228,595 S * 10/1973 Korch D6/334
- D230,542 S * 3/1974 Badsey D6/375

- 3,893,731 A * 7/1975 Maggs 297/452.17
- D244,569 S * 6/1977 Laroye D6/334
- D257,087 S * 9/1980 Roset D6/334
- D267,599 S * 1/1983 Fator D6/334
- D335,035 S * 4/1993 Floyd D6/361
- D342,164 S * 12/1993 Dalman D6/333
- D513,817 S * 1/2006 Miller et al. D30/161

* cited by examiner

Primary Examiner—Sandra Snapp

(74) *Attorney, Agent, or Firm*—Cantor Colburn LLP

(57) **CLAIM**

I claim, the ornamental design for a seat, as shown and described.

DESCRIPTION

FIG. 1 is a side view of a seat, showing my new design; the opposite side being a mirror image thereof;

FIG. 2 is a front view thereof;

FIG. 3 is a rear view thereof;

FIG. 4 is a rear perspective view thereof;

FIG. 5 is a front perspective view thereof;

FIG. 6 is a bottom view thereof; and,

FIG. 7 is a top view thereof.

1 Claim, 1 Drawing Sheet



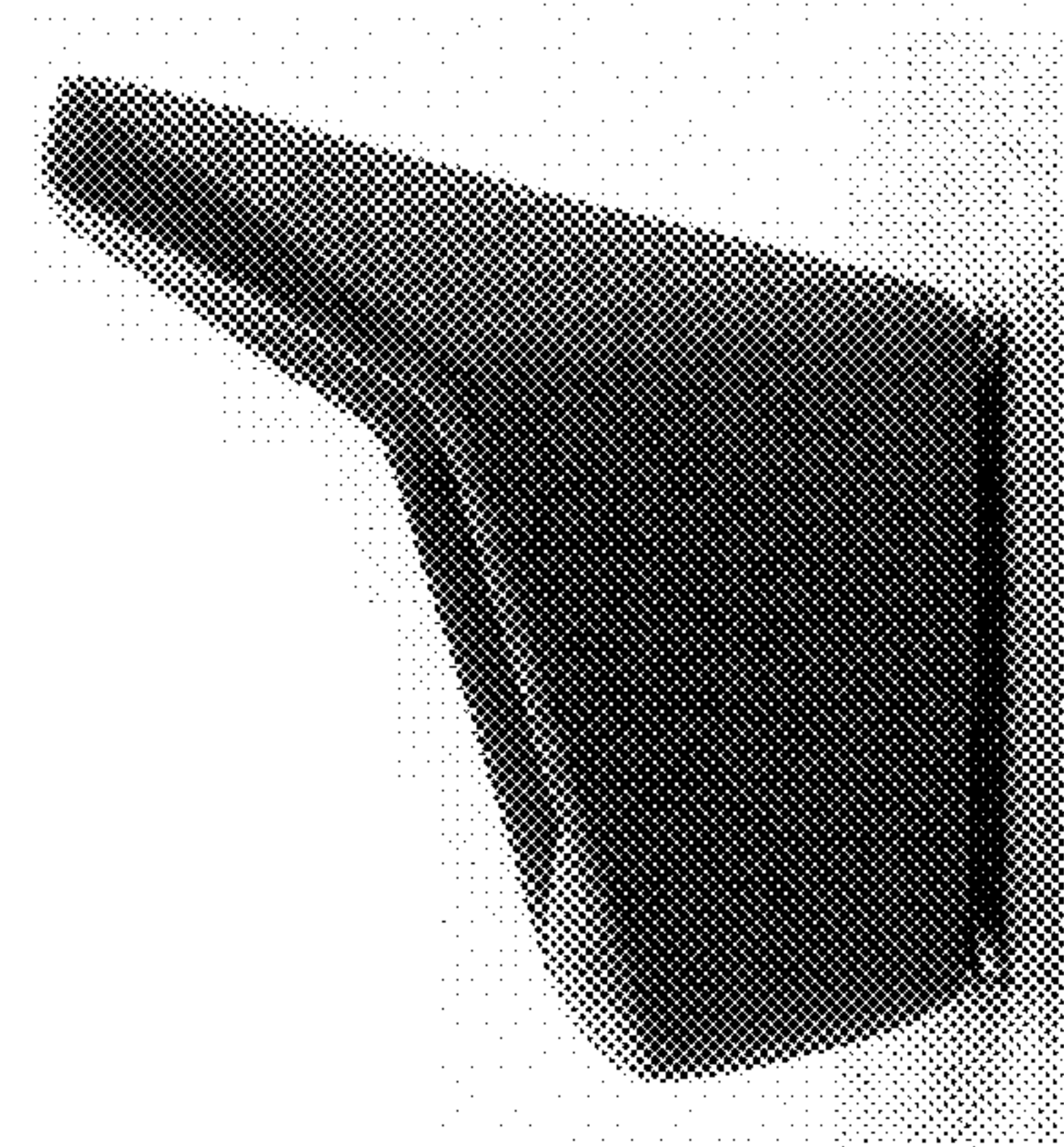


FIGURE 1

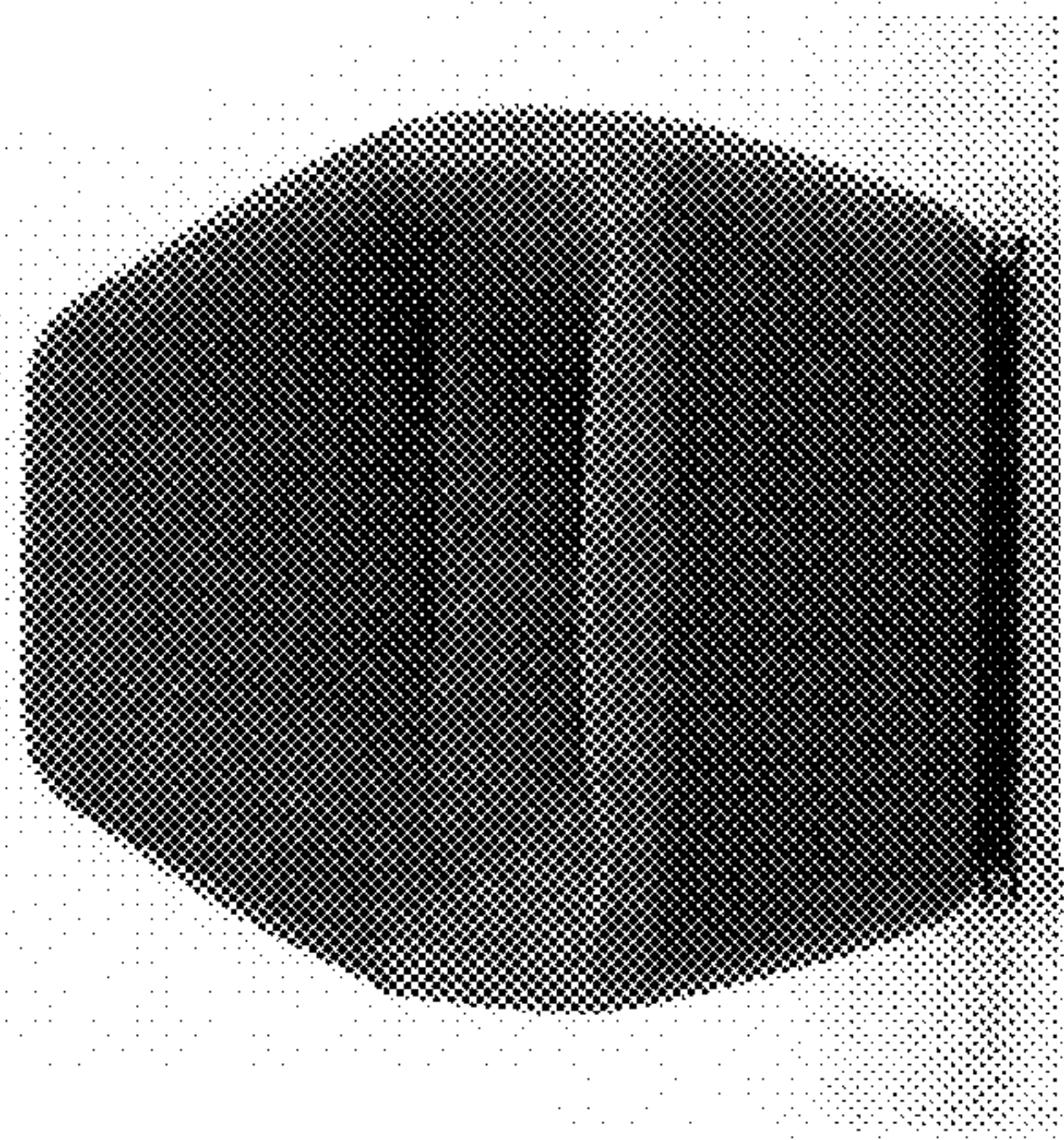


FIGURE 2

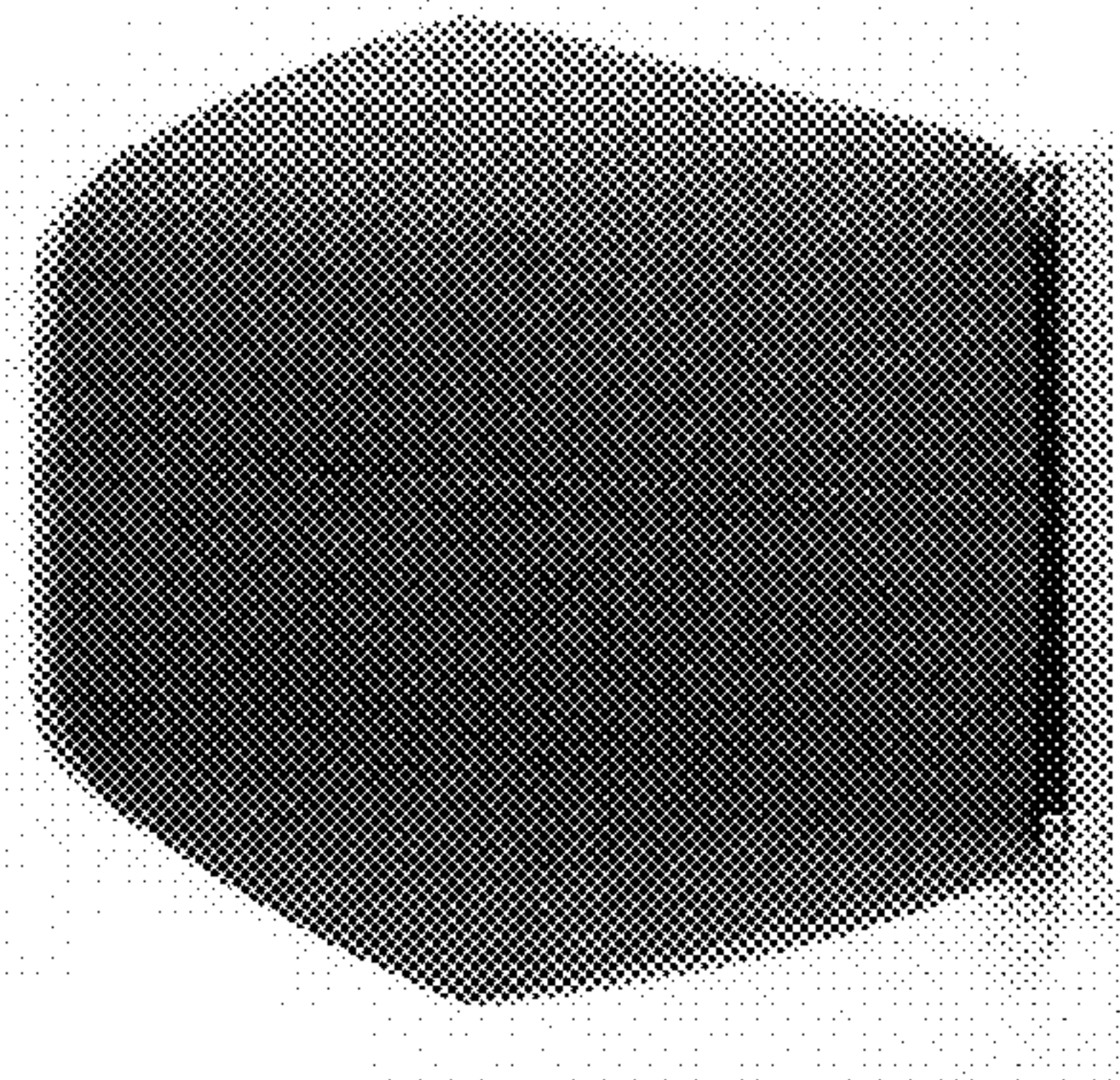


FIGURE 3

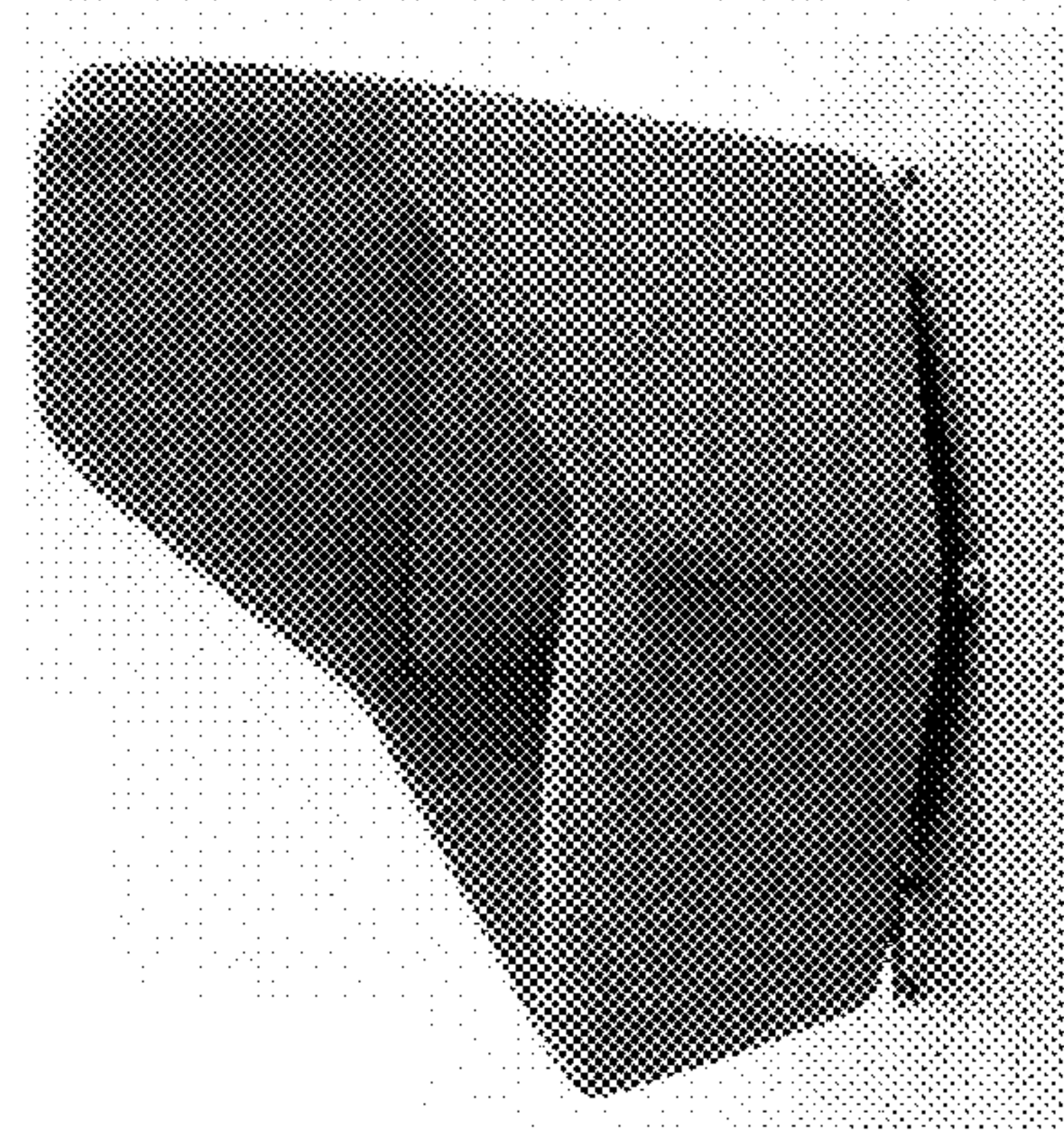


FIGURE 4

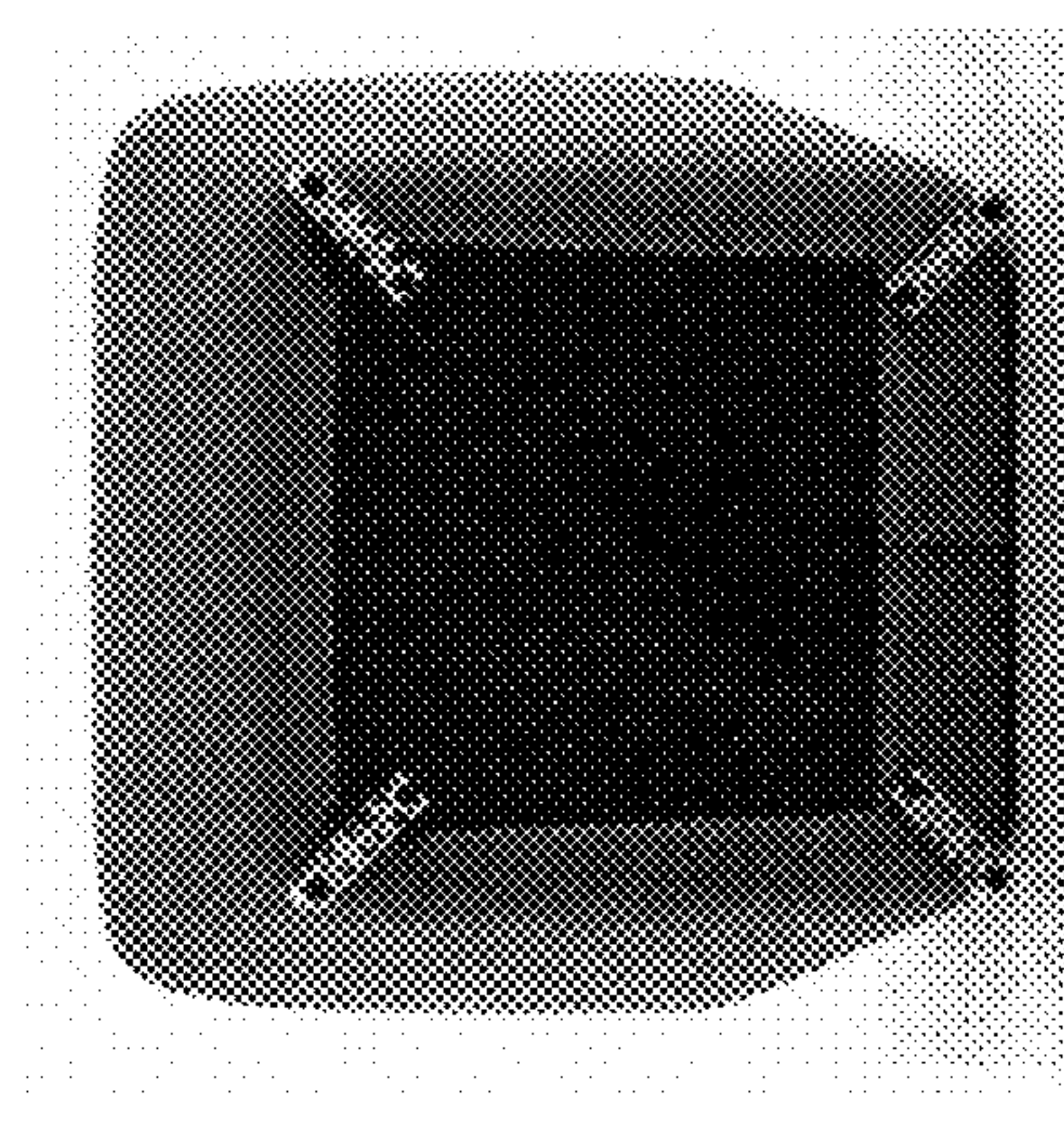


FIGURE 5

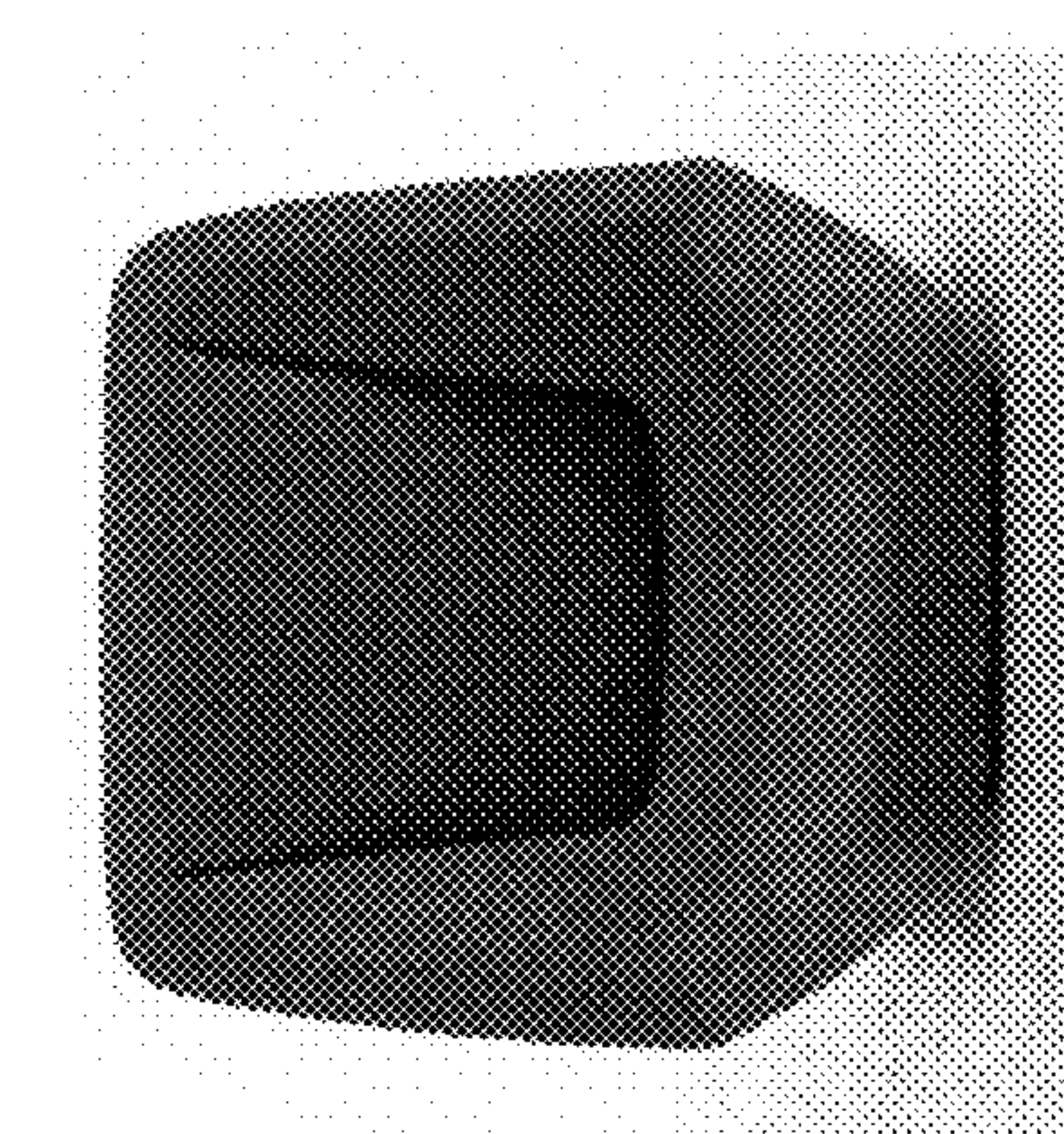


FIGURE 6

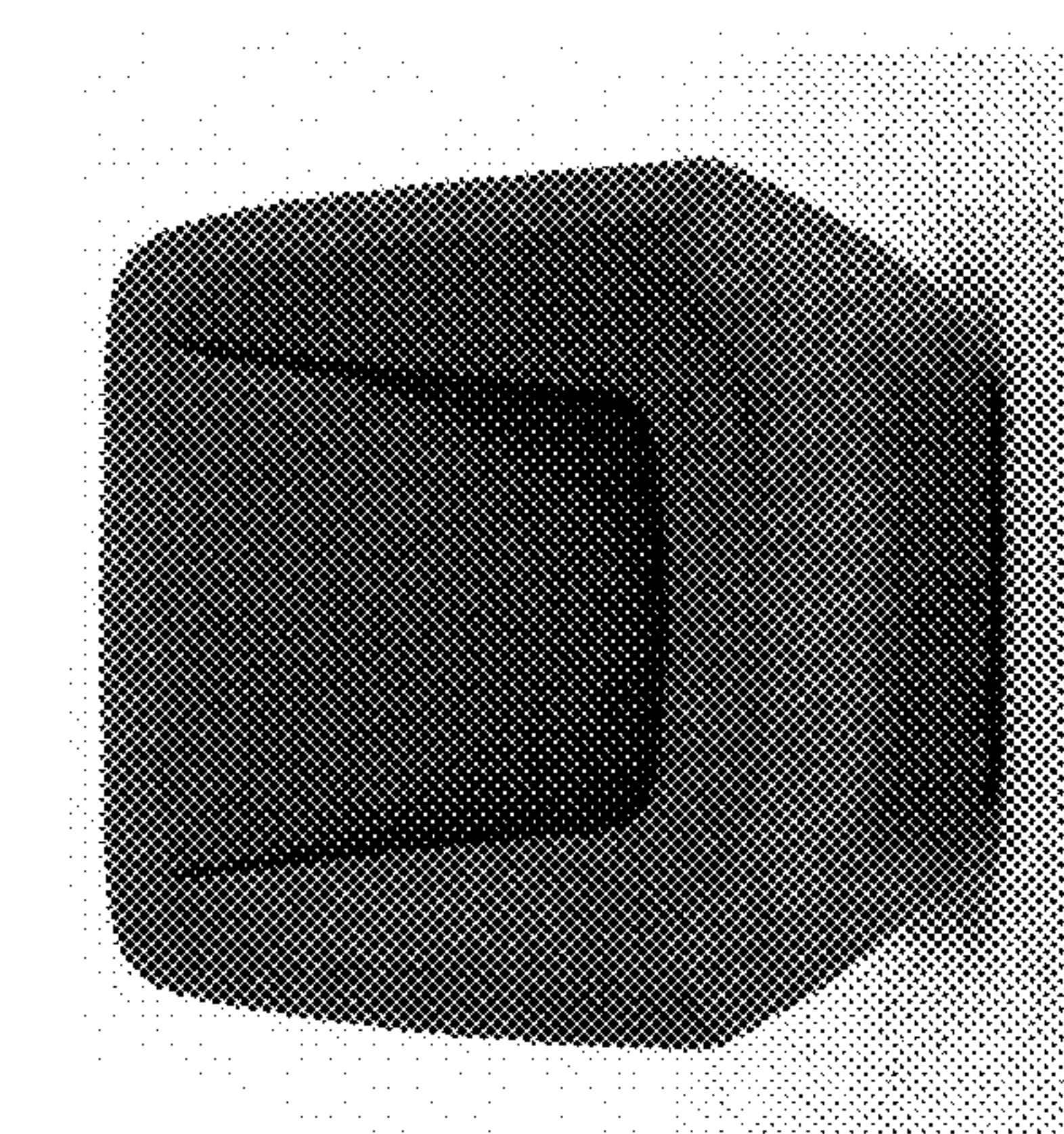


FIGURE 7