



US00D550463S

(12) **United States Design Patent**
Hart

(10) **Patent No.:** **US D550,463 S**

(45) **Date of Patent:** **** Sep. 11, 2007**

(54) **GROOMING STATION**

D382,433 S * 8/1997 Bova D6/568
D491,731 S * 6/2004 Harwanko D6/568

(75) Inventor: **Amy L. Hart**, Charlottesville, VA (US)

* cited by examiner

(73) Assignee: **Liberty Hardware Mfg. Corp.**,
Winston-Salem, NC (US)

Primary Examiner—Brian N Vinson
(74) *Attorney, Agent, or Firm*—Edgar A. Zarins; Lloyd D. Doigan

(**) Term: **14 Years**

(21) Appl. No.: **29/229,184**

(57) **CLAIM**

(22) Filed: **May 4, 2005**

The ornamental design for a grooming station, as shown and described.

(51) **LOC (8) Cl.** **06-04**

(52) **U.S. Cl.** **D6/321**

(58) **Field of Classification Search** D6/315,
D6/524, 320–321, 546, 552–553, 567–570;
211/13.1, 85.1, 85.2, 85.3, 30, 32, 71.01,
211/85.26, 86.01, 87.01, 88.04, 90.04
See application file for complete search history.

DESCRIPTION

FIG. 1 is a top, front, and right side perspective view of a grooming station showing my new design;
FIG. 2 is a front elevational view thereof;
FIG. 3 is a left side elevational view thereof; and,
FIG. 4 is a top plan view thereof.

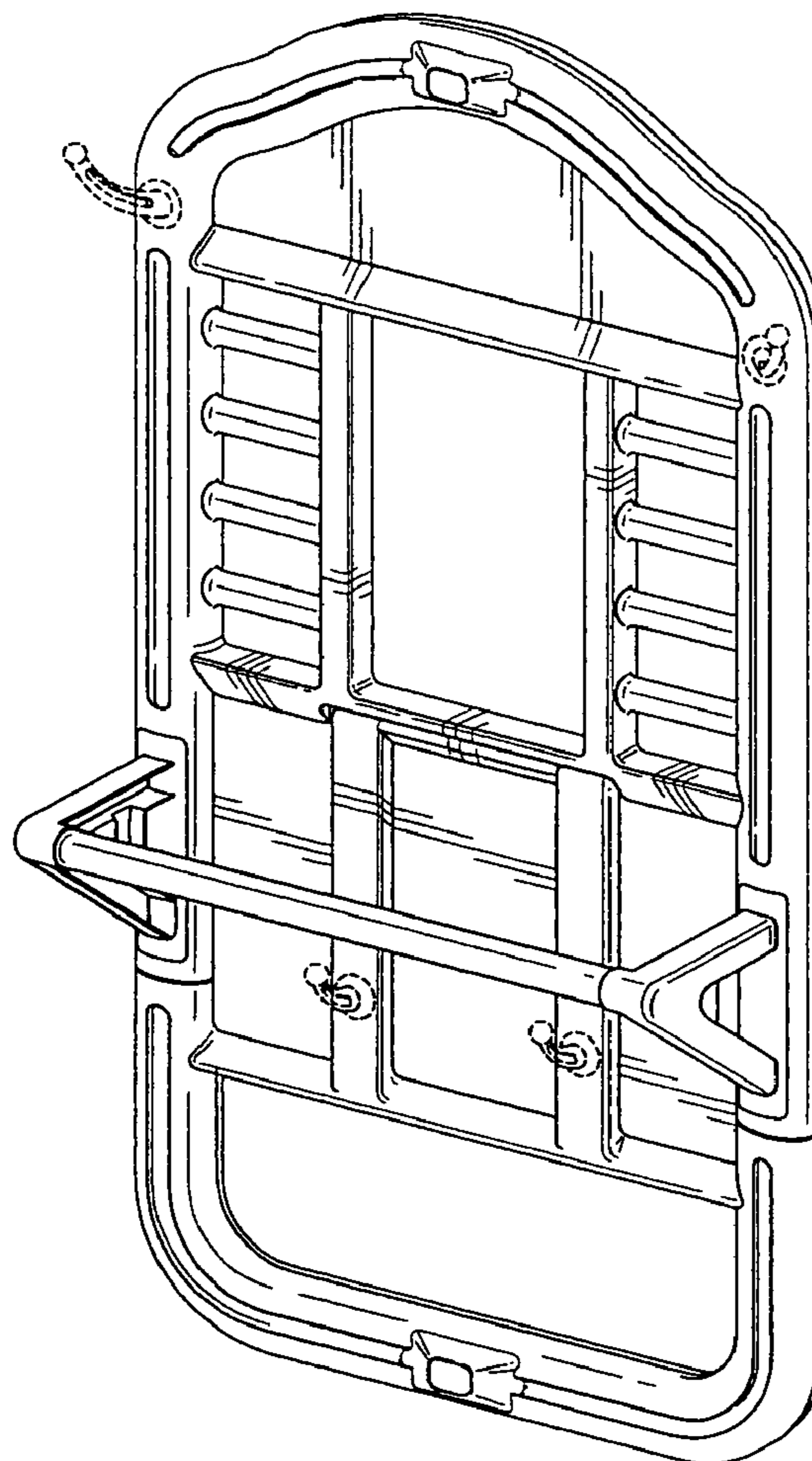
(56) **References Cited**

The broken-line disclosure of hooks in the views are for illustrative purposes only and forms no part of the claimed design.

U.S. PATENT DOCUMENTS

D257,303 S * 10/1980 Nusz D6/321
D296,402 S * 6/1988 Fortes D6/561

1 Claim, 3 Drawing Sheets



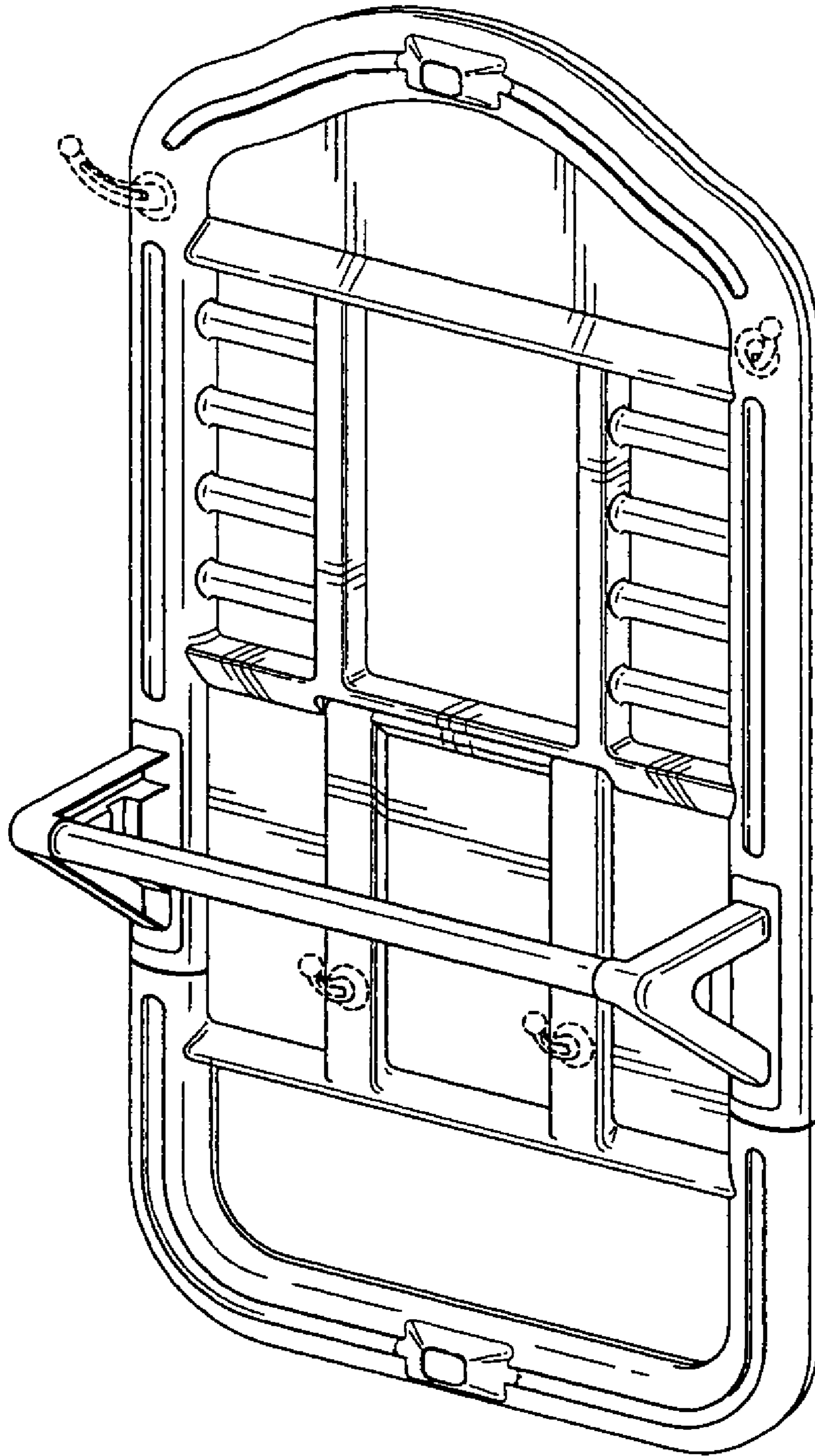


Fig-1

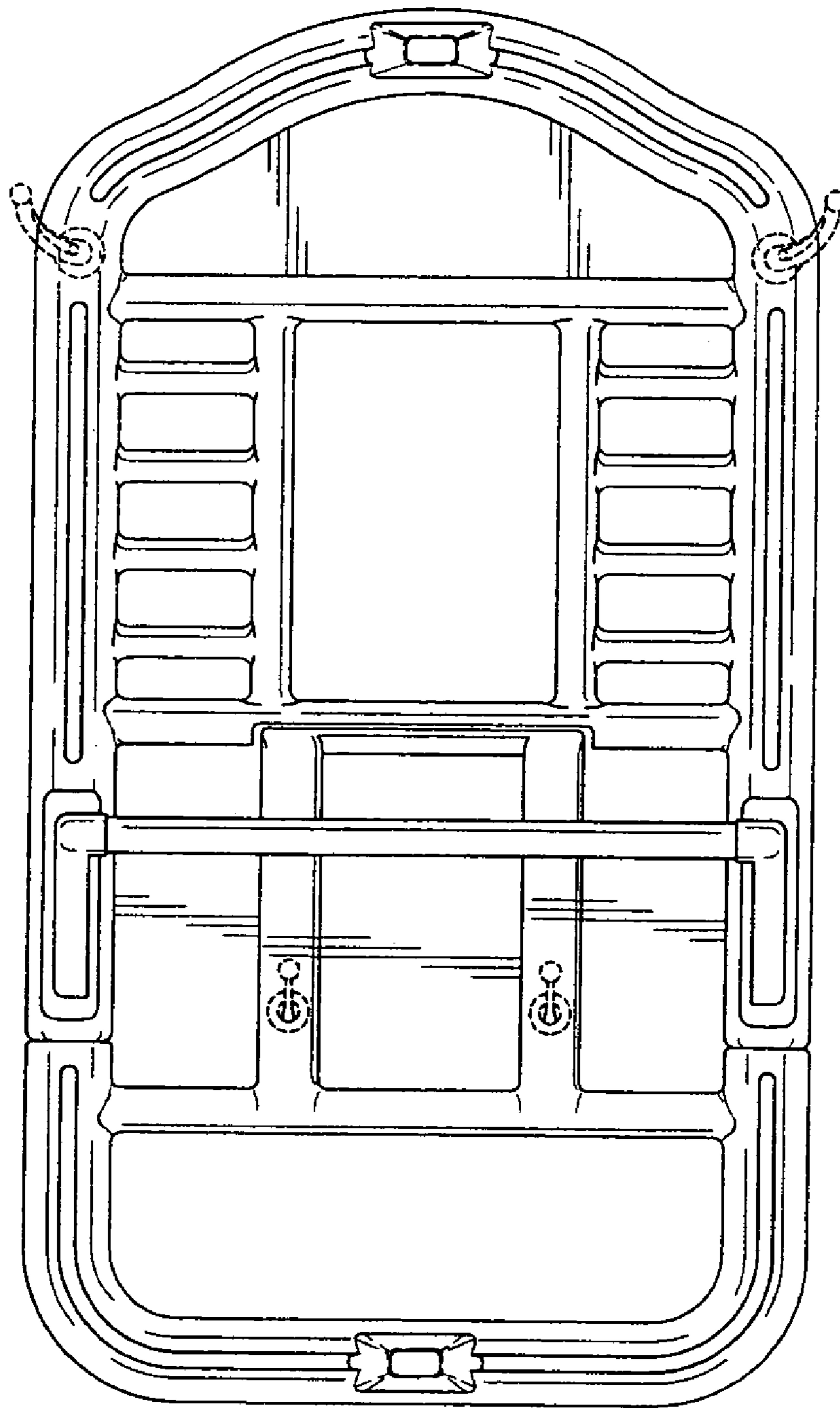


Fig-2

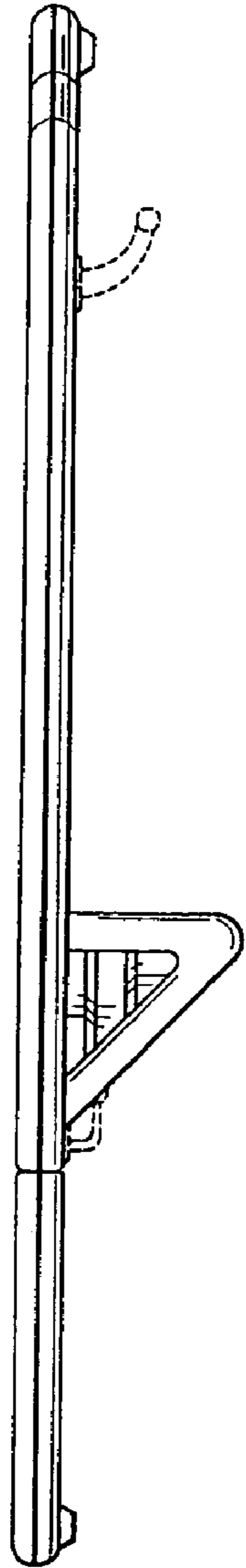


Fig-3

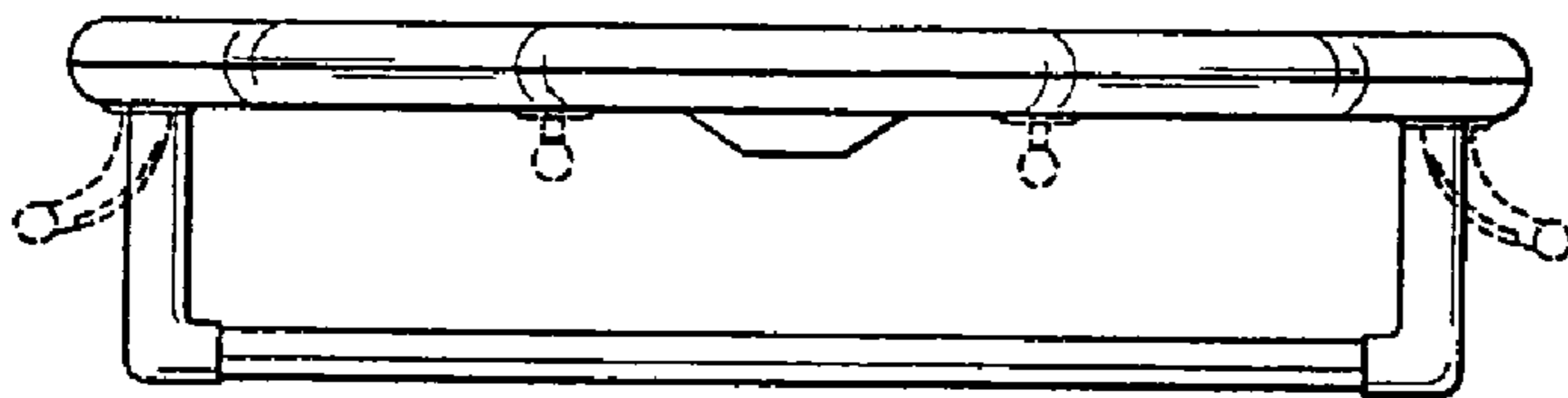


Fig-4