



US00D550460S

(12) **United States Design Patent** (10) **Patent No.:** **US D550,460 S**
Dunn et al. (45) **Date of Patent:** **** Sep. 11, 2007**

(54) **PET CHEW TOY BRUSH** 7,017,222 B2 * 3/2006 Dunn 15/106
D524,549 S * 7/2006 Ajluni et al. D4/128
(75) Inventors: **Steven B. Dunn**, Beverly Hills, CA D537,254 S * 2/2007 Miles et al. D4/128
(US); **Mark Hatherill**, Beverly Hills,
CA (US); **Thomas Birkert**, West Hills,
CA (US)

FOREIGN PATENT DOCUMENTS

BE 528464 5/1954

OTHER PUBLICATIONS

John Pritzlaff Hardware Co., © 1952, Milk Bottle Brush, Item No. 39, p. 1234.

* cited by examiner

Primary Examiner—Cathron C. Brooks

Assistant Examiner—Lavone D. Tabor

(74) *Attorney, Agent, or Firm*—Knoble Yoshida & Dunleavy LLC

(73) Assignee: **Munchkin, Inc.**, North Hills, CA (US)

(**) Term: **14 Years**

(21) Appl. No.: **29/276,335**

(22) Filed: **Jan. 23, 2007**

(51) **LOC (8) Cl.** **04-01**

(52) **U.S. Cl.** **D4/128; D4/136**

(58) **Field of Classification Search** D4/128,
D4/133, 136; D32/51; 15/27, 106, 110,
15/159.1, 160, 164, 186–188, 207.2

See application file for complete search history.

(57) **CLAIM**

The ornamental design for a pet chew toy brush, as shown and described.

(56) **References Cited**

U.S. PATENT DOCUMENTS

- 405,297 A * 6/1889 Bailey 15/104.16
- 1,557,655 A 10/1925 Cave et al.
- 1,659,622 A 2/1928 Atamian
- 1,899,242 A 2/1933 McNab
- 2,762,074 A 9/1956 Danchig
- 3,130,433 A 4/1964 John
- 3,358,311 A 12/1967 Cunningham et al.
- 3,358,314 A 12/1967 Matibag
- 4,023,677 A 5/1977 Wittner et al.
- D250,068 S 10/1978 Ducotey
- 4,319,595 A 3/1982 Ulrich
- 4,575,892 A 3/1986 Ross
- 4,621,387 A 11/1986 Noser
- 4,809,389 A 3/1989 Breitschmid
- D333,368 S 2/1993 Flowers
- D334,845 S 4/1993 Ricciareli et al.
- 5,306,151 A 4/1994 Rauch
- 6,652,279 B2 * 11/2003 Santacruz 433/216

DESCRIPTION

FIG. 1 is a perspective view showing our new design;

FIG. 2 is a front elevational view;

FIG. 3 is a rear elevational view;

FIG. 4 is a first side elevational view;

FIG. 5 is a second side elevational view;

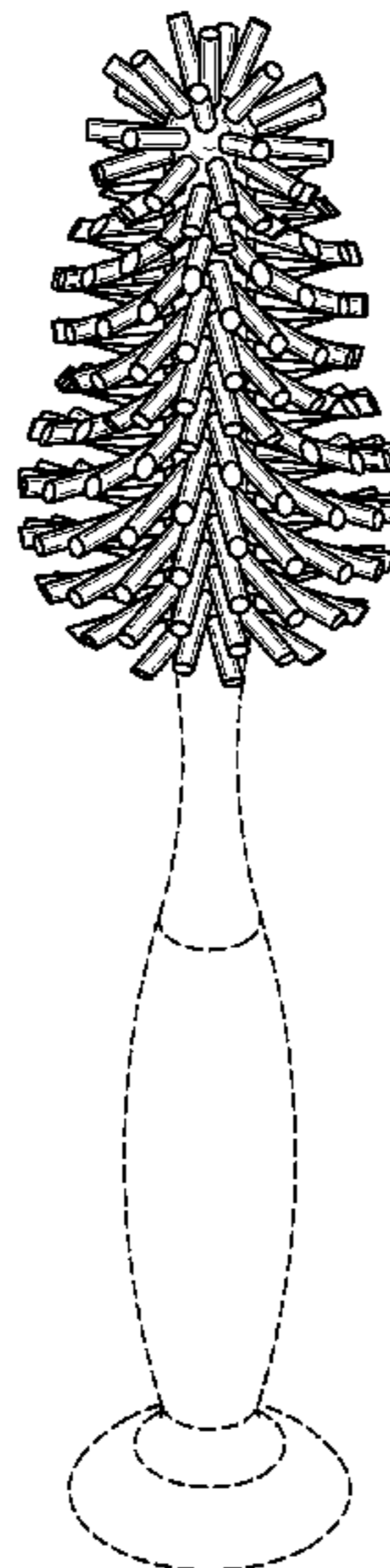
FIG. 6 is a top plan view; and,

FIG. 7 is a bottom plan view.

Any broken lines denote probable environmental structure and are not part of the claimed design.

The broken line structure beginning at the base of the bristles and showing an elongated handle is included for the purpose of illustrating a portion of the article that forms no part of the claimed design.

1 Claim, 6 Drawing Sheets



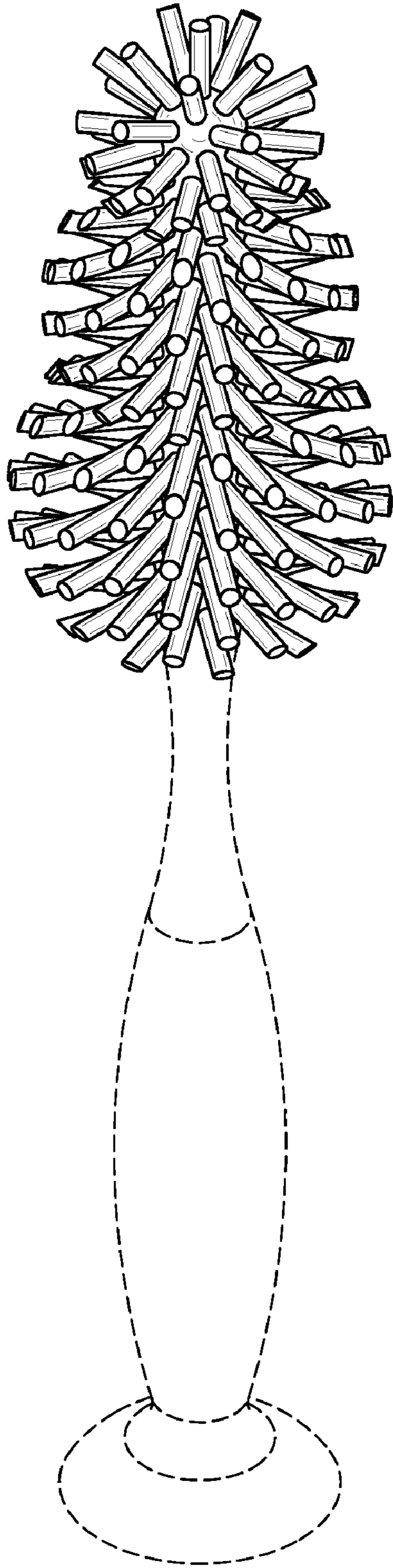


FIG. 1

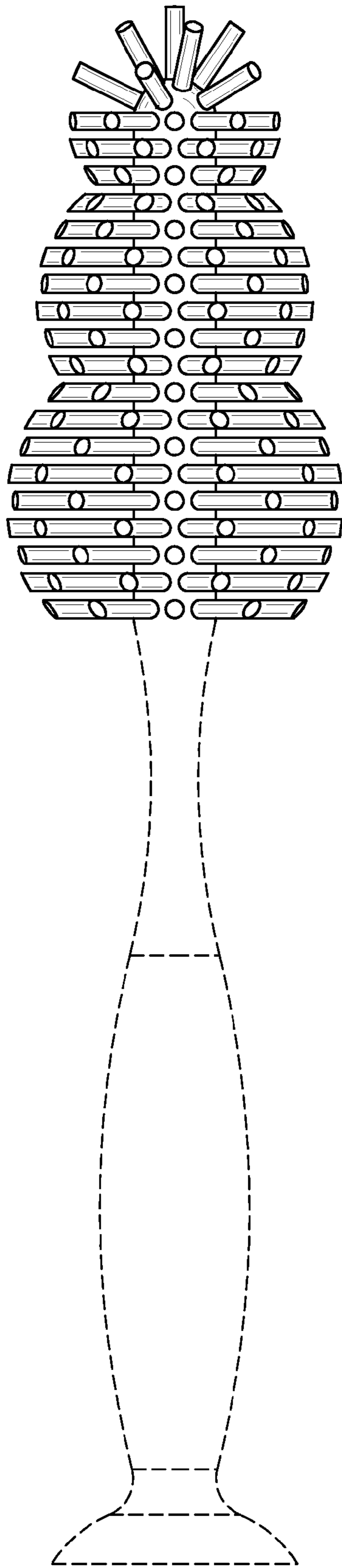


FIG. 2

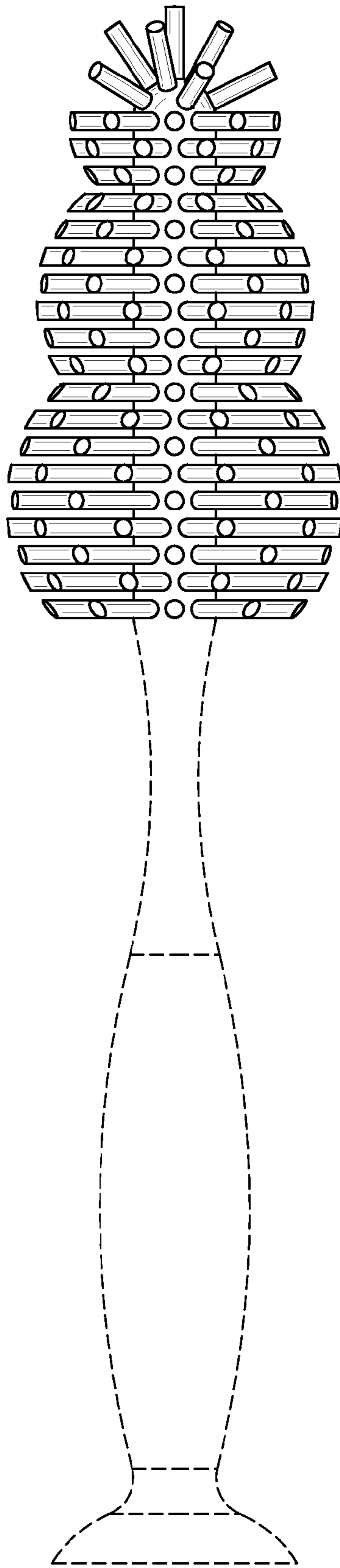


FIG. 3

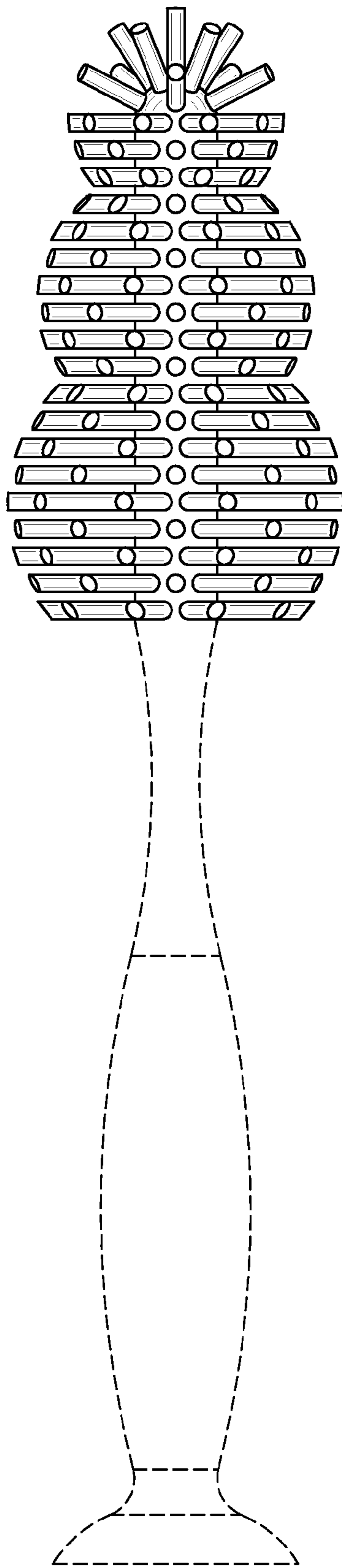


FIG. 4

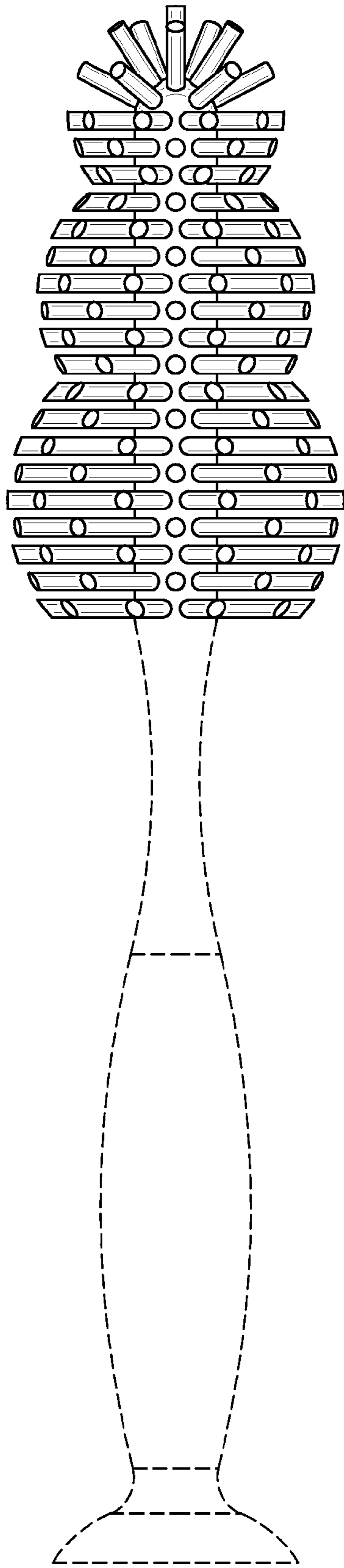


FIG. 5

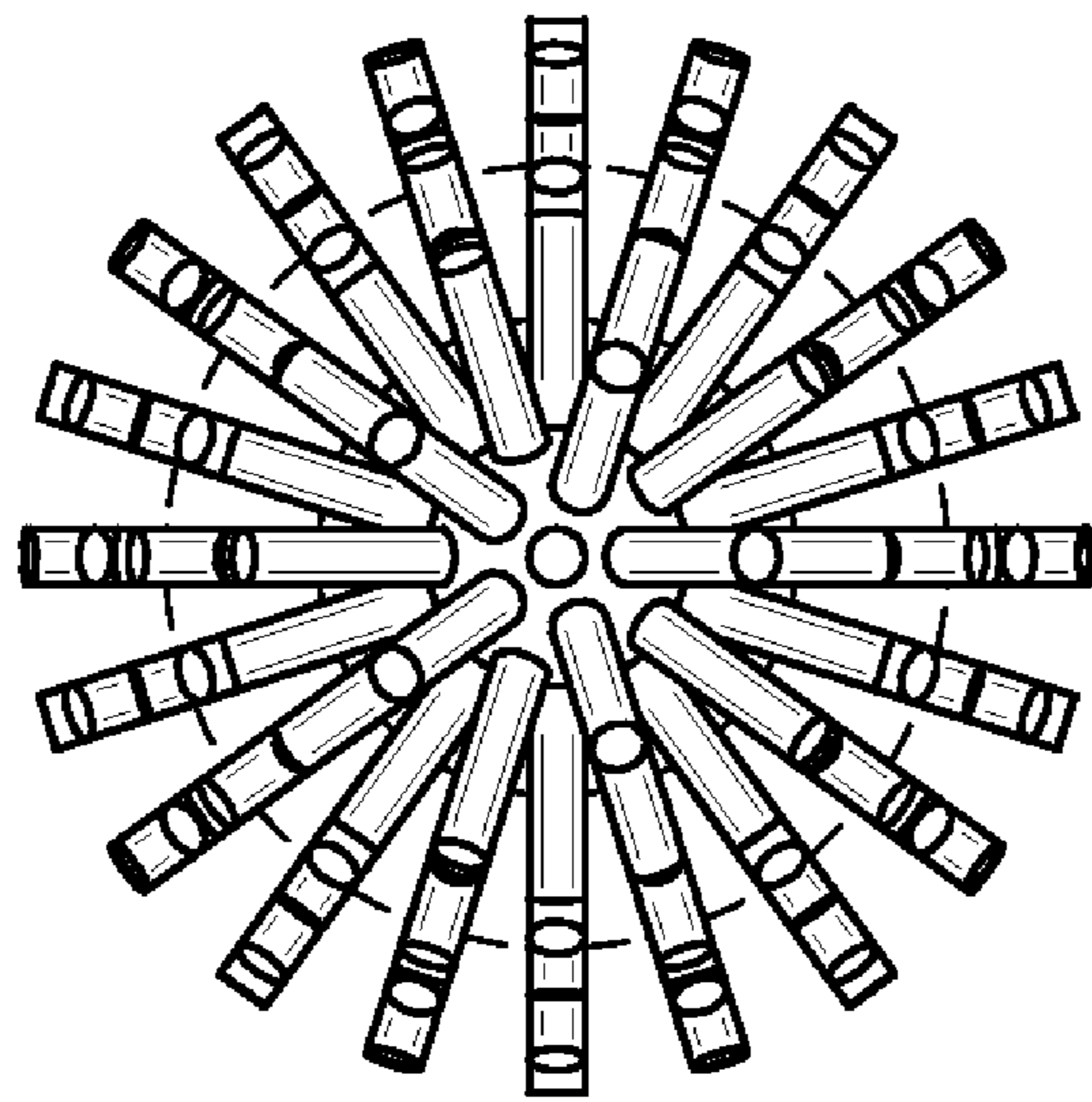


FIG. 6

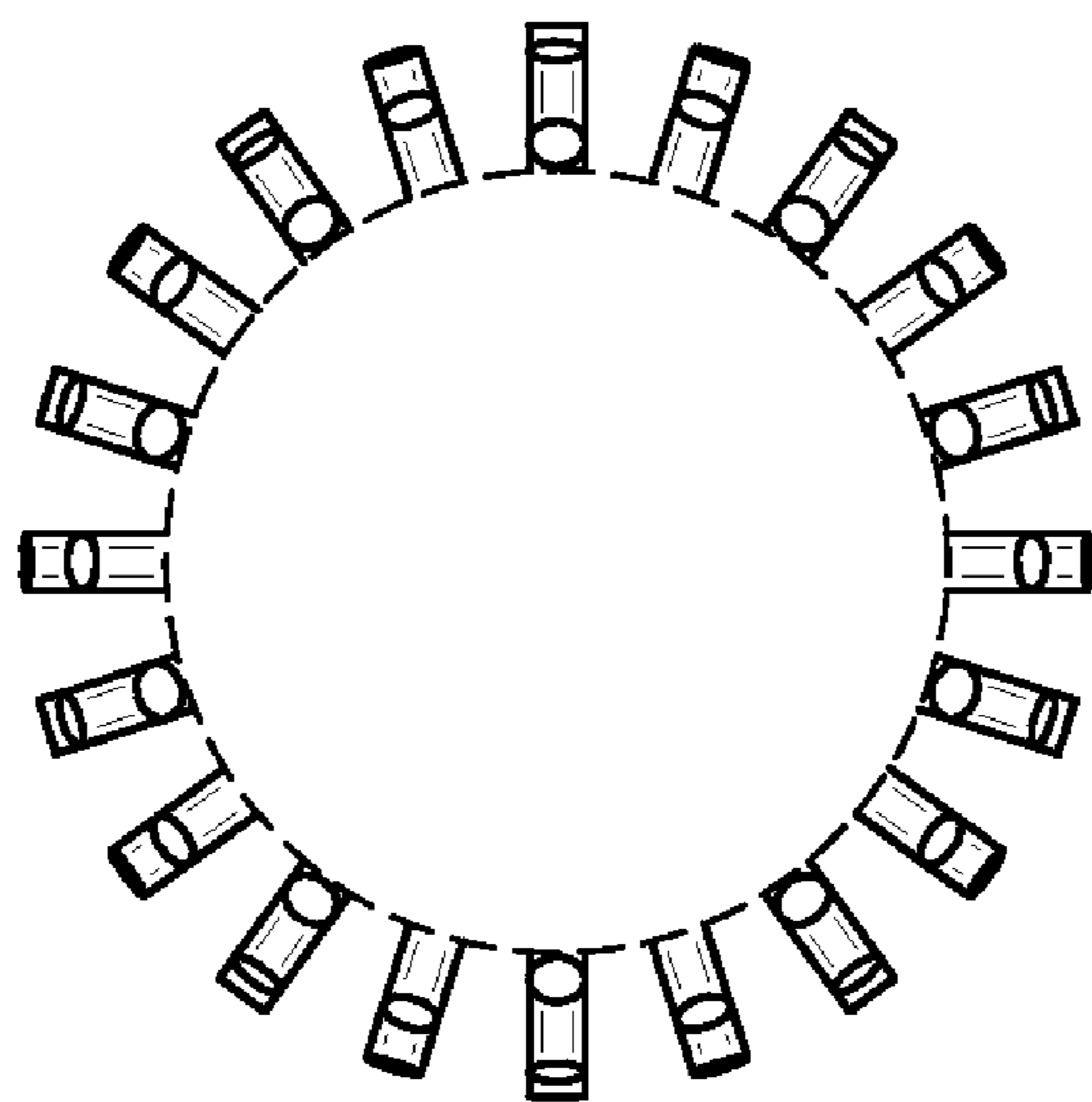


FIG. 7