



US00D550459S

(12) **United States Design Patent**
Eskandry

(10) **Patent No.:** **US D550,459 S**

(45) **Date of Patent:** **** Sep. 11, 2007**

(54) **BASKET WITH MOVABLE PARTITION**

(76) **Inventor:** **Ezra D. Eskandry**, 3802 NE. 207th St.,
TH-5, Aventura, FL (US) 33180

(**) **Term:** **14 Years**

(21) **Appl. No.:** **29/219,905**

(22) **Filed:** **Dec. 27, 2004**

(51) **LOC (8) Cl.** **03-01**

(52) **U.S. Cl.** **D3/305**

(58) **Field of Classification Search** D3/304-315,
D3/324, 301-303, 282-283, 285-287, 232-233,
D3/252, 292, 273; 294/137, 170; D9/425;
D7/304, 607; D12/407; D28/75

See application file for complete search history.

(56) **References Cited**

U.S. PATENT DOCUMENTS

D216,062 S *	11/1969	Domingo	D3/246
D328,522 S *	8/1992	Buck	D3/303
5,379,929 A	1/1995	Eskandry	224/312
D361,548 S *	8/1995	Bascom	D12/407
5,516,018 A	5/1996	Eskandry	224/312
D373,101 S	8/1996	Eskandry	D12/177
D373,515 S *	9/1996	Melk	D7/607
5,653,364 A	8/1997	Eskandry	224/312
D397,871 S *	9/1998	Bellechilli	D3/303
D409,382 S *	5/1999	Erlanson	D3/233
D430,205 S	8/2000	Eskandry	D19/33
D430,397 S	9/2000	Eskandry	D3/290
D432,981 S	10/2000	Eskandry	D12/417
D433,064 S	10/2000	Eskandry	D19/78
D433,444 S	11/2000	Eskandry	D19/27
D434,366 S	11/2000	Eskandry	D12/417

D434,368 S	11/2000	Eskandry	D12/417
D434,803 S	12/2000	Eskandry	D19/78
D434,901 S	12/2000	Eskandry	D3/284
D435,511 S	12/2000	Eskandry	D12/417
D435,863 S	1/2001	Eskandry	D19/27
D436,916 S	1/2001	Eskandry	D12/417
D502,599 S *	3/2005	Cabana et al.	D3/292
D508,320 S *	8/2005	Holland et al.	D3/303

* cited by examiner

Primary Examiner—Louis S. Zarfes

Assistant Examiner—Eric L. Goodman

(74) *Attorney, Agent, or Firm*—Robert C. Kain, Jr.; Fleit Kain

(57) **CLAIM**

I claim the ornamental design for the basket with movable partition, as shown and described.

DESCRIPTION

FIG. 1 is a top perspective view of the basket with movable partition.

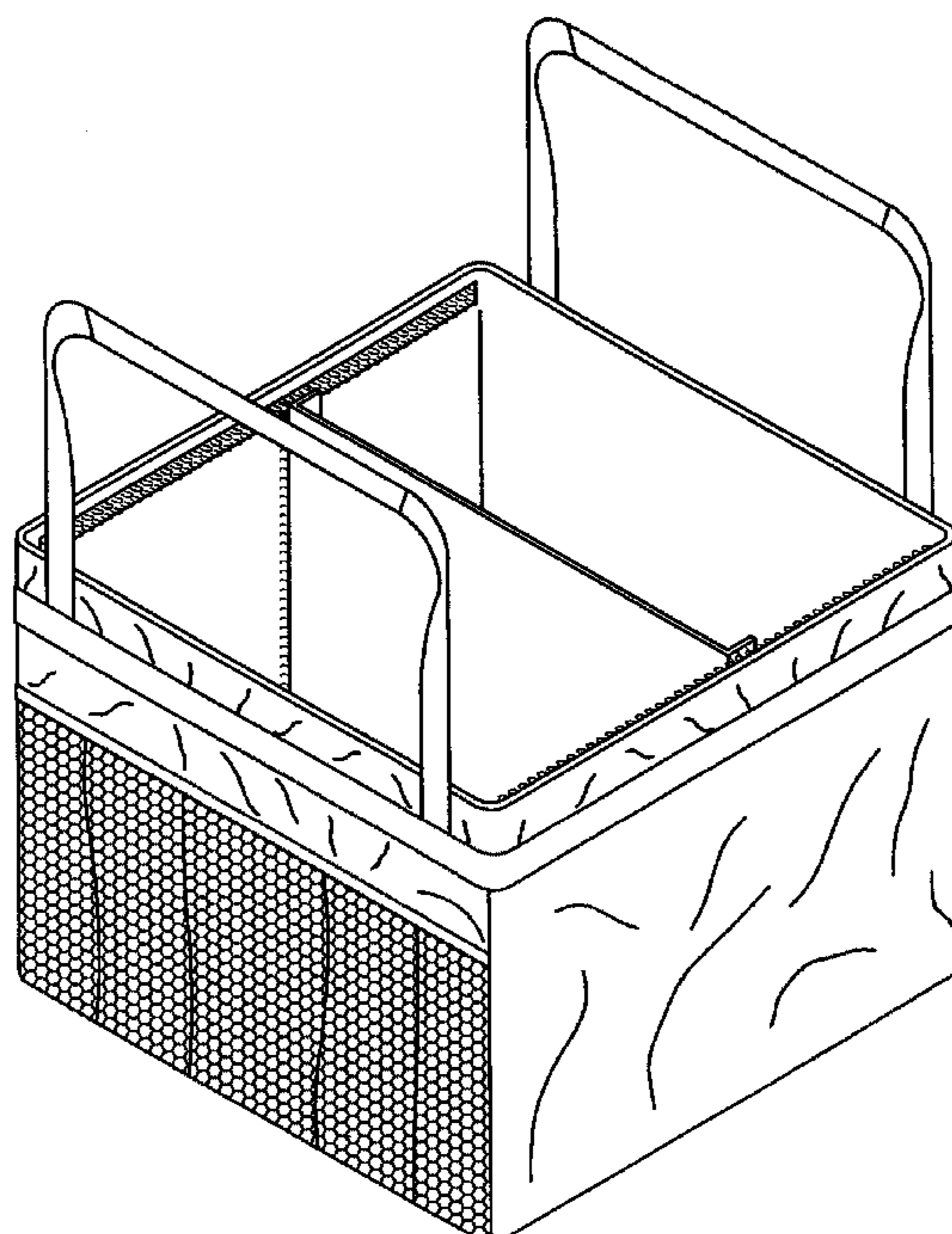
FIG. 2 is a bottom view of the basket with movable partition as shown in FIG. 1 and showing non-skid pads.

FIG. 3 is a front view of the basket with movable partition as shown in FIG. 1 and showing non-skid pads (the rear view being identical to the front view).

FIG. 4 is a left side view of the basket with movable partition as shown in FIG. 1 and showing non-skid pads (the right side view being substantially identical to the left side view); and,

FIG. 5 is an upper left side perspective view of the basket with movable partition as shown in FIG. 1.

1 Claim, 5 Drawing Sheets



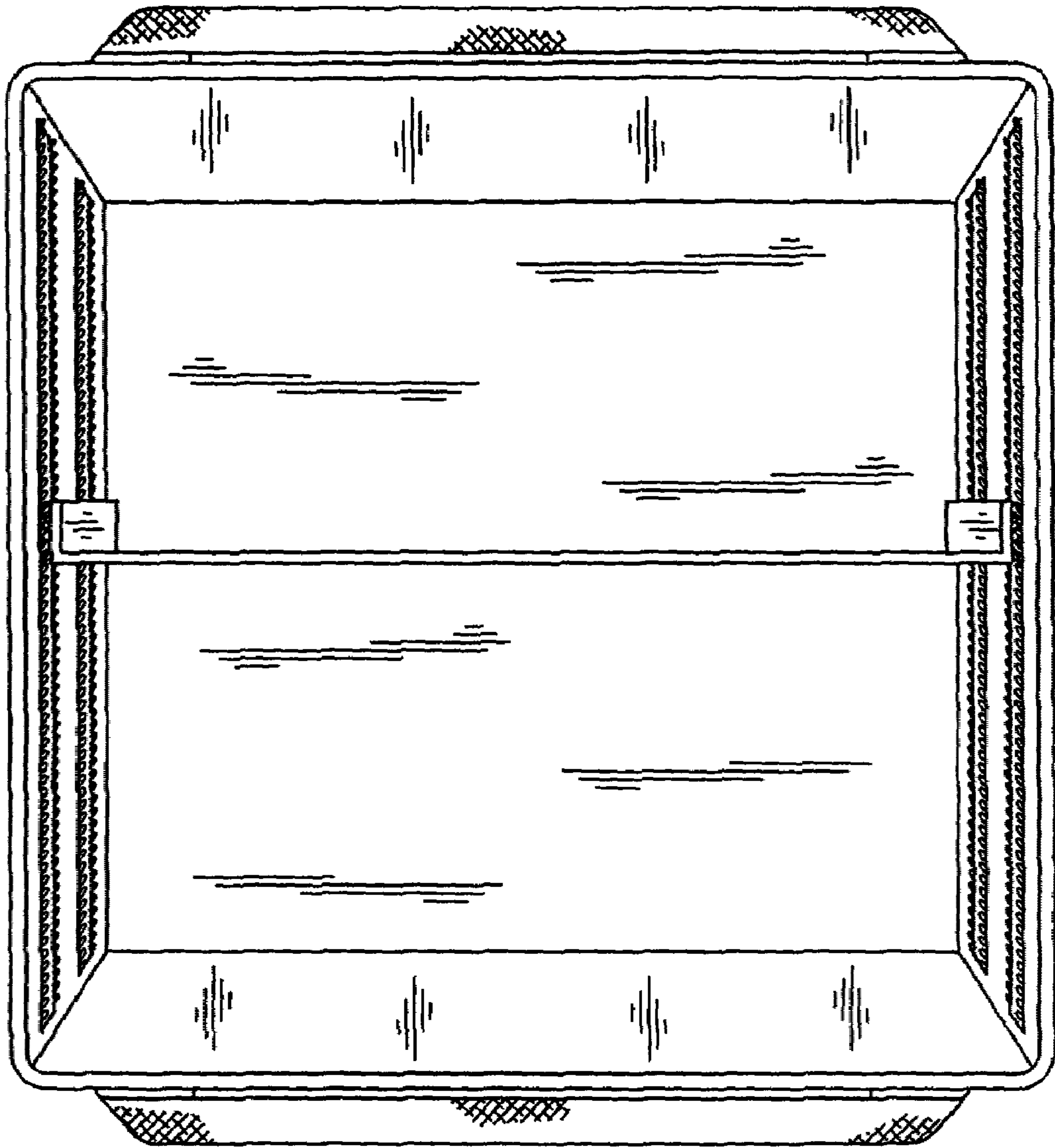


FIG. 1

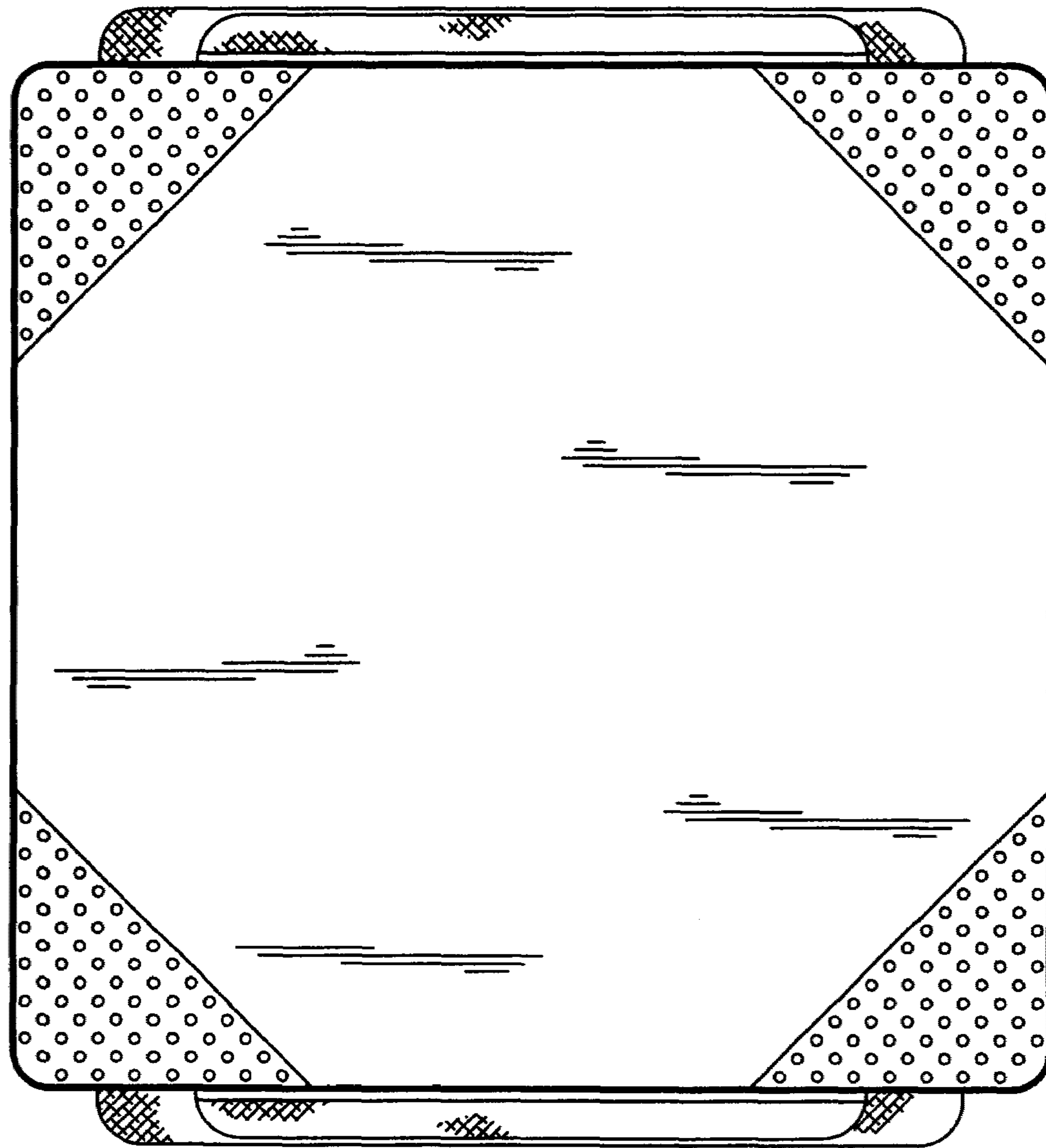


FIG. 2

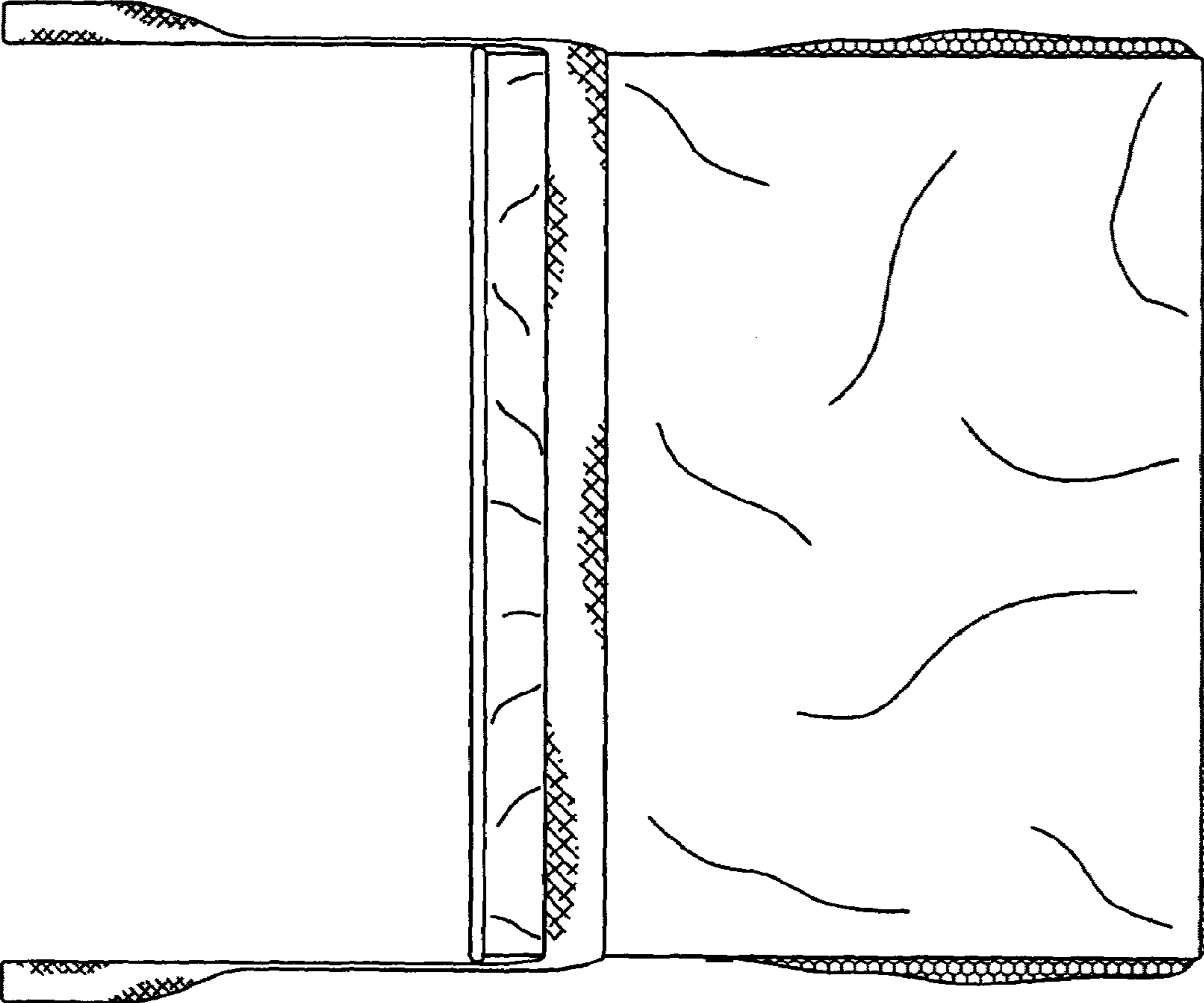


FIG. 3

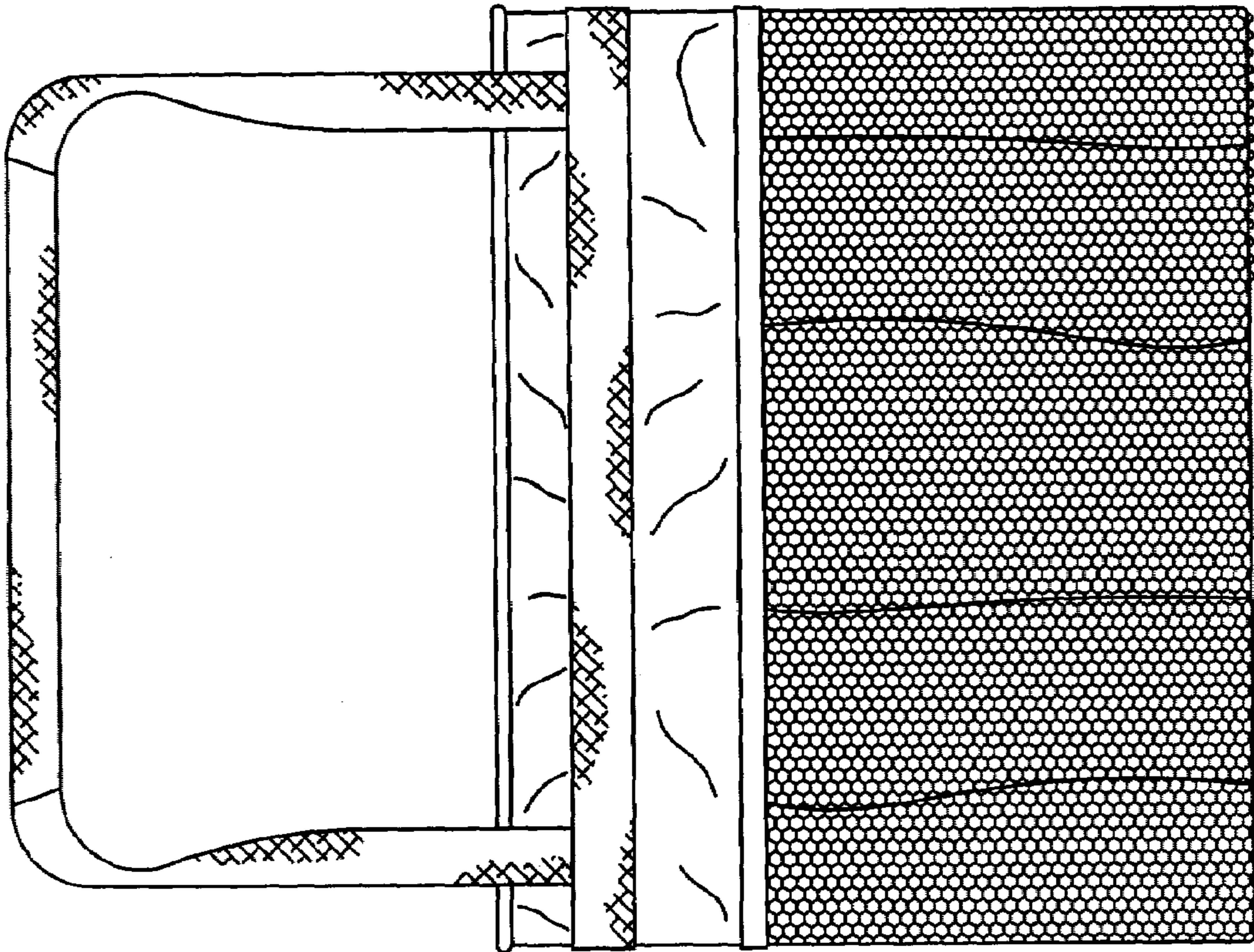


FIG. 4

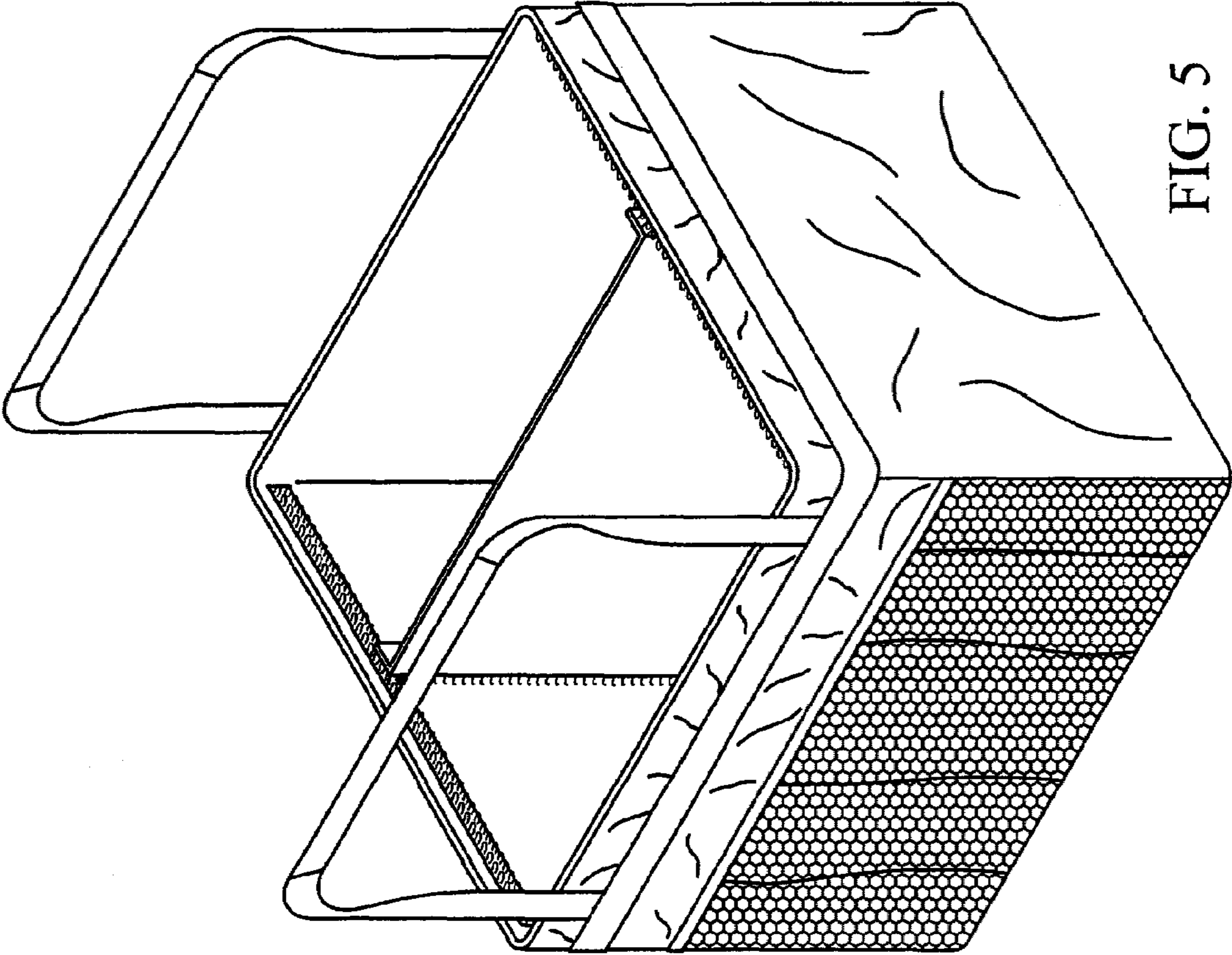


FIG. 5