



US00D550453S

(12) **United States Design Patent**
Ford

(10) **Patent No.:** **US D550,453 S**

(45) **Date of Patent:** **** Sep. 11, 2007**

(54) **PLAYING CARD CASE**

(75) Inventor: **Roger Ford**, Teddington (GB)

(73) Assignee: **Upper Deck Europe B.V.**, Weesp (NL)

(**) Term: **14 Years**

(21) Appl. No.: **29/248,375**

(22) Filed: **Aug. 11, 2006**

(30) **Foreign Application Priority Data**

Feb. 13, 2006 (EM) 000478672

(51) **LOC (8) Cl.** **03-01**

(52) **U.S. Cl.** **D3/247**

(58) **Field of Classification Search** D3/247,
D3/249, 270, 294; D21/392; 220/812

See application file for complete search history.

(56) **References Cited**

U.S. PATENT DOCUMENTS

1,611,494 A * 12/1926 Strauss 220/812

D161,548 S * 1/1951 Smoleroff D3/270

D164,862 S * 10/1951 Johnson D21/392

D310,910 S * 10/1990 Maxymych et al. D3/249

D335,959 S * 6/1993 Blake D3/294

D369,239 S * 4/1996 Deutch D3/247

D388,605 S * 1/1998 Callahan et al. D3/247

* cited by examiner

Primary Examiner—Louis S. Zarfaz

Assistant Examiner—Michelle E. Wilson

(74) *Attorney, Agent, or Firm*—Ryan A. Schneider, Esq.;
Troutman Sanders LLP

(57) **CLAIM**

The ornamental design for a playing card case, as shown and described.

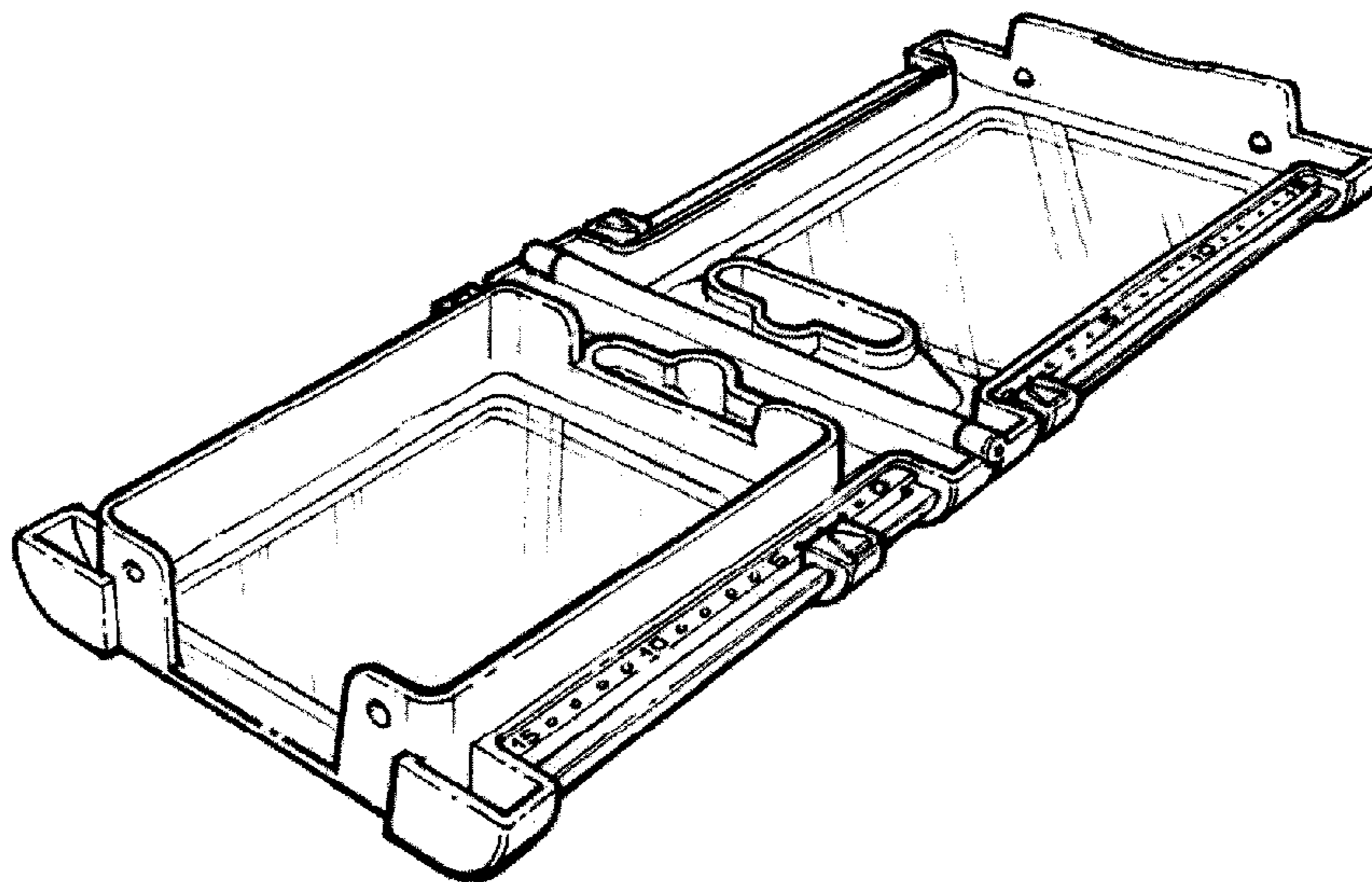
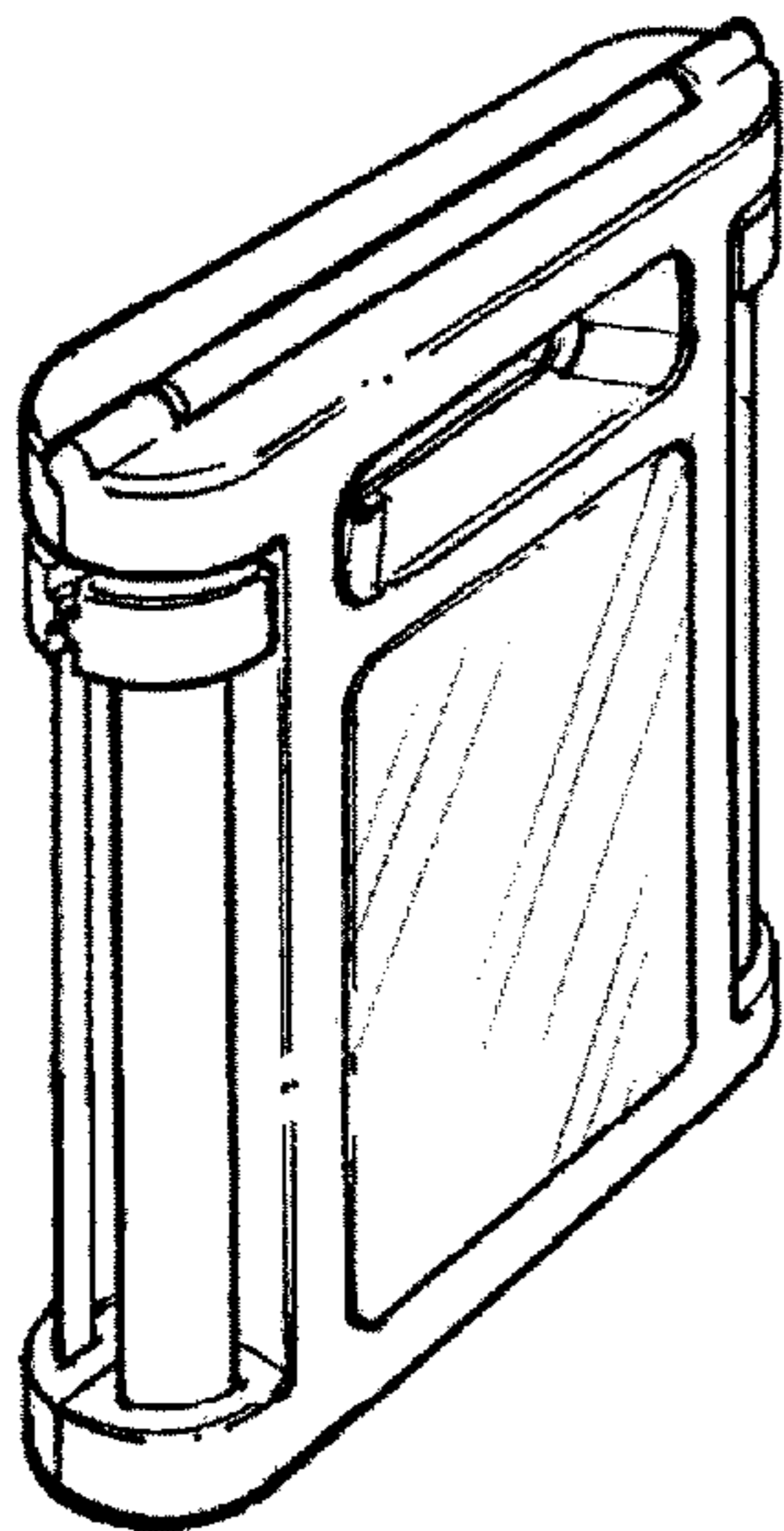
DESCRIPTION

FIG. 1 is a closed perspective view of a playing card case showing my new design;

FIG. 2 is another closed perspective view thereof; and,

FIG. 3 is an open perspective view thereof.

1 Claim, 3 Drawing Sheets



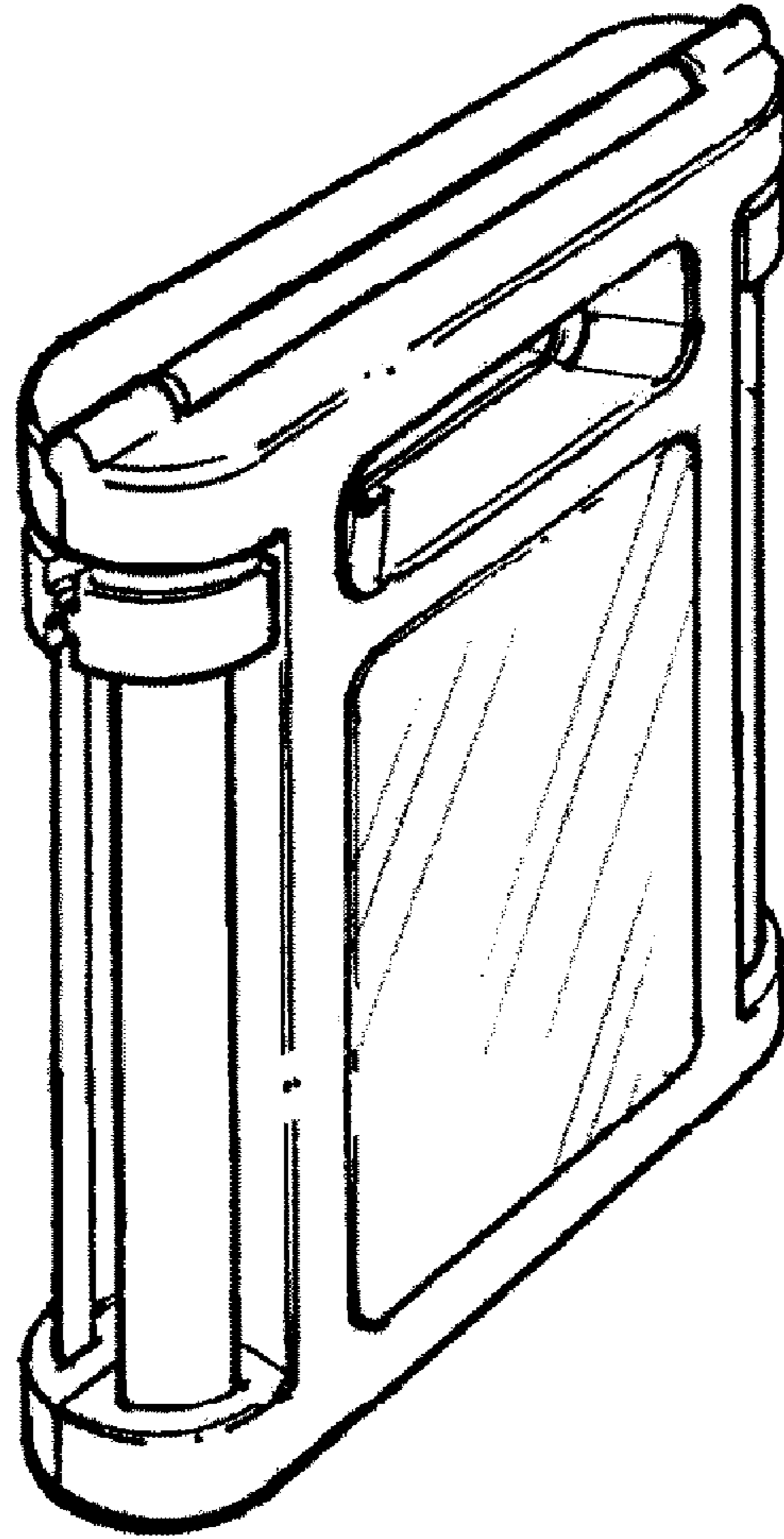


FIG. 1

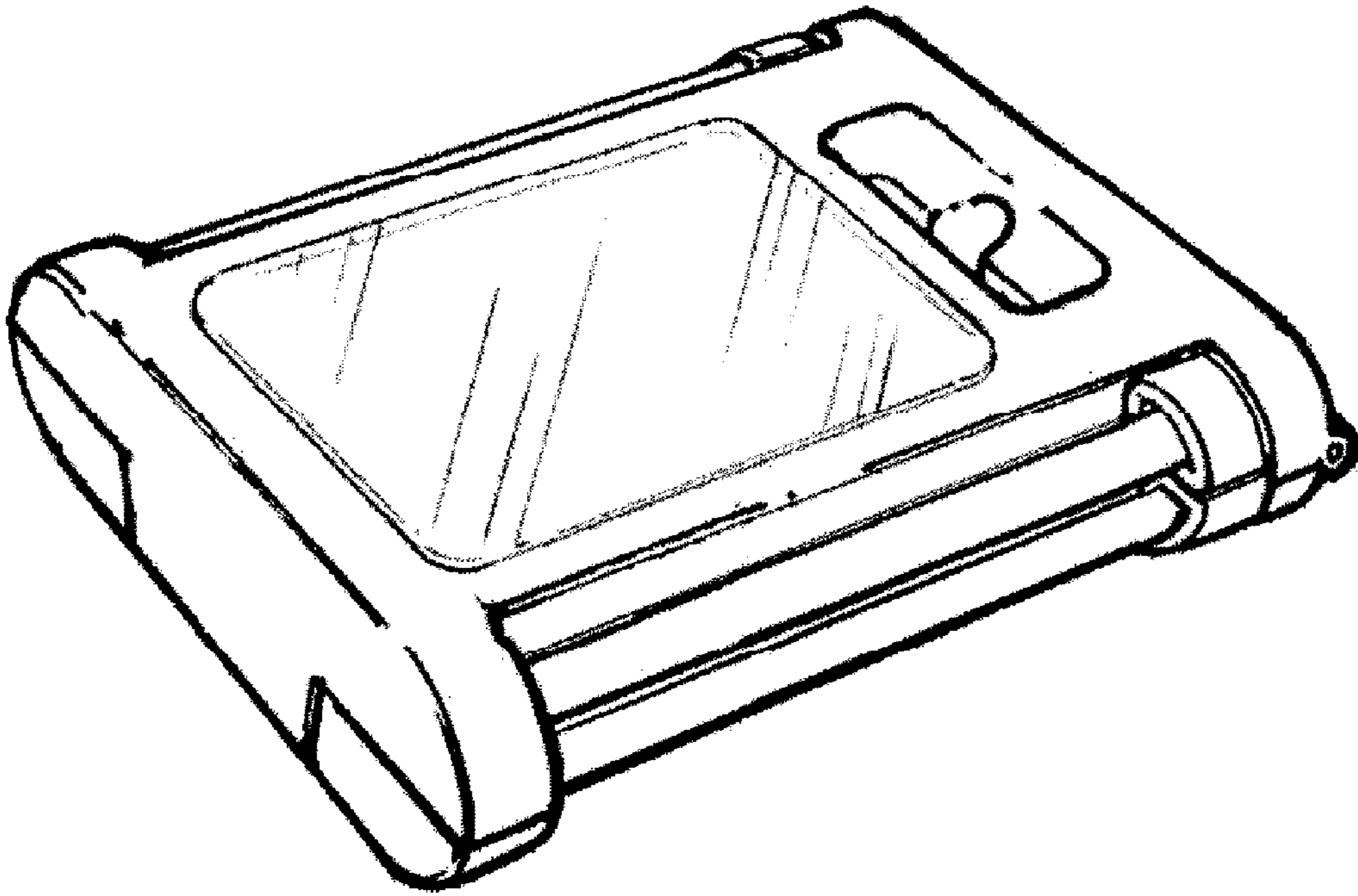


FIG. 2

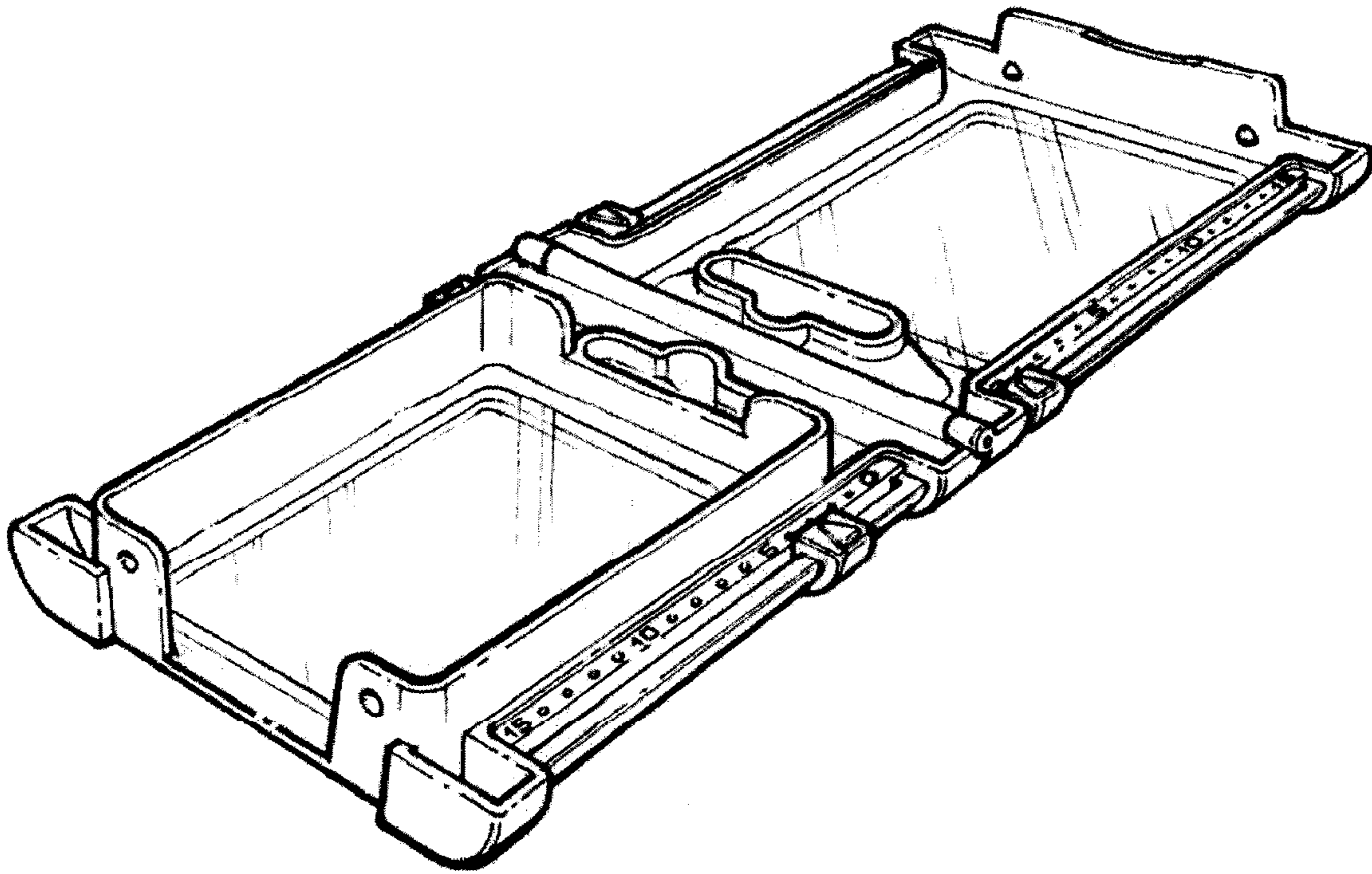


FIG. 3