



US00D550448S

(12) **United States Design Patent**
Boje et al.

(10) **Patent No.: US D550,448 S**

(45) **Date of Patent: ** Sep. 11, 2007**

(54) **RUCKSACK**

(75) Inventors: **Florian Boje**, Milan (IT); **Cristiana Picco**, Milan (IT)

(73) Assignee: **Ferrino & C. S.p.A.**, Turin (IT)

(**) Term: **14 Years**

(21) Appl. No.: **29/126,179**

(22) Filed: **Jul. 12, 2000**

(30) **Foreign Application Priority Data**

Jan. 2, 2000 (IT) TO2000O0006

(51) **LOC (8) Cl.** **03-01**

(52) **U.S. Cl.** **D3/217**

(58) **Field of Classification Search** D3/216,
D3/217; 224/148.2, 156, 578, 579, 580, 584,
224/627, 628, 629, 231, 642, 643, 646, 647,
224/652, 653, 656, 657

See application file for complete search history.

(56) **References Cited**

U.S. PATENT DOCUMENTS

2,515,316 A * 7/1950 Schjelderup 224/579
D375,402 S * 11/1996 Yeh D3/217
D375,622 S * 11/1996 Croft D3/217

5,706,992 A * 1/1998 Moor 224/657
D399,053 S * 10/1998 Moraes D3/216
D413,015 S * 8/1999 Albers D3/216
5,950,896 A * 9/1999 Theodore 224/647
5,984,154 A * 11/1999 Scicluna 224/153
D420,792 S * 2/2000 Sakelliou et al. D3/216
6,164,509 A * 12/2000 Gausling et al. 224/627
6,216,926 B1 * 4/2001 Pratt 224/153

* cited by examiner

Primary Examiner—Celia Murphy

(74) *Attorney, Agent, or Firm*—Sughrue, Mion, Zinn
Macpeak & Seas, PLLC

(57) **CLAIM**

The ornamental design for a rucksack, as shown and described.

DESCRIPTION

FIG. 1 is a perspective view of the rucksack showing our new design;
FIG. 2 is a front view thereof;
FIG. 3 is a right view thereof;
FIG. 4 is a left view thereof;
FIG. 5 is a rear view thereof;
FIG. 6 is a top view thereof; and,
FIG. 7 is a bottom view thereof.

1 Claim, 2 Drawing Sheets

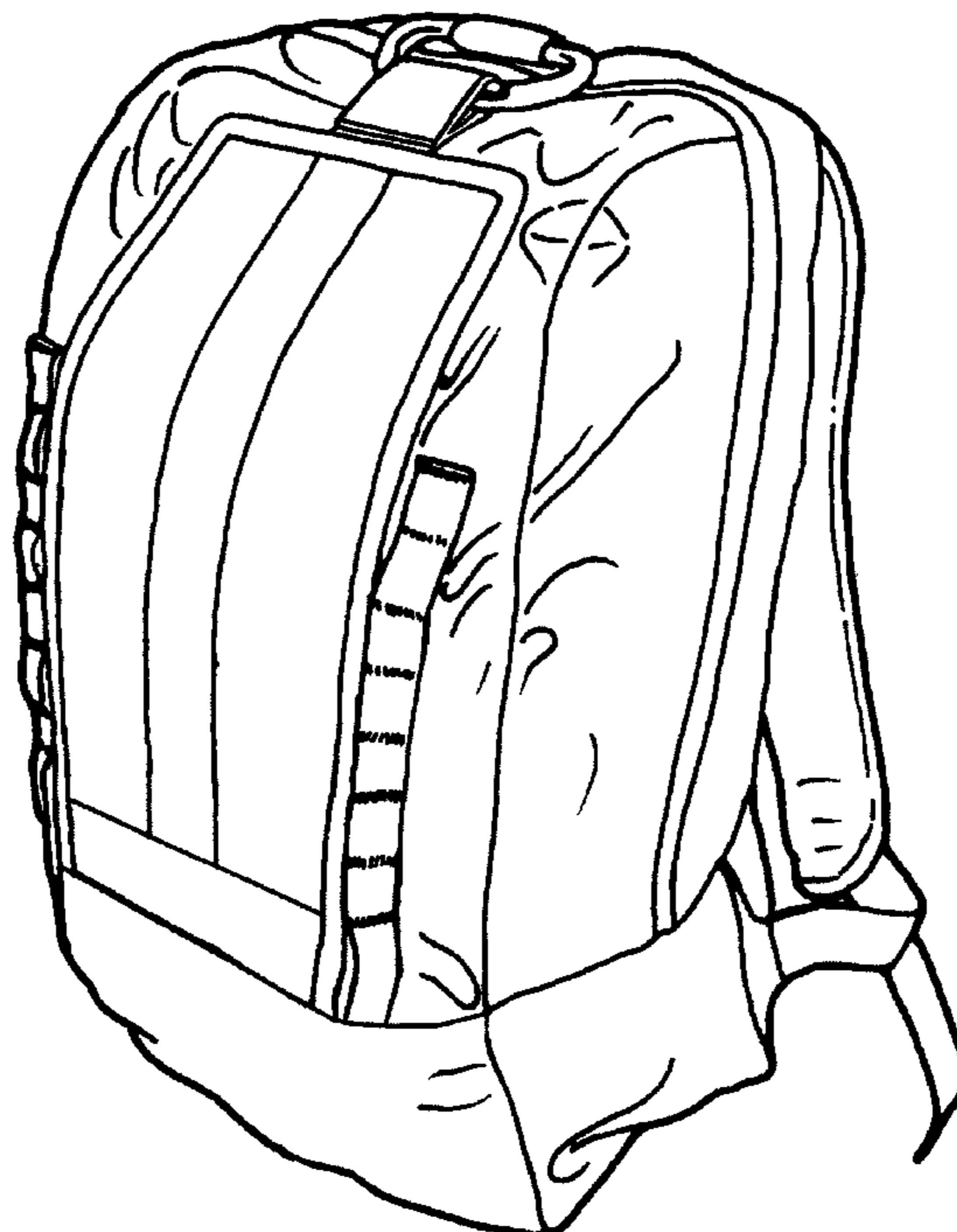


Fig. 1



Fig. 2

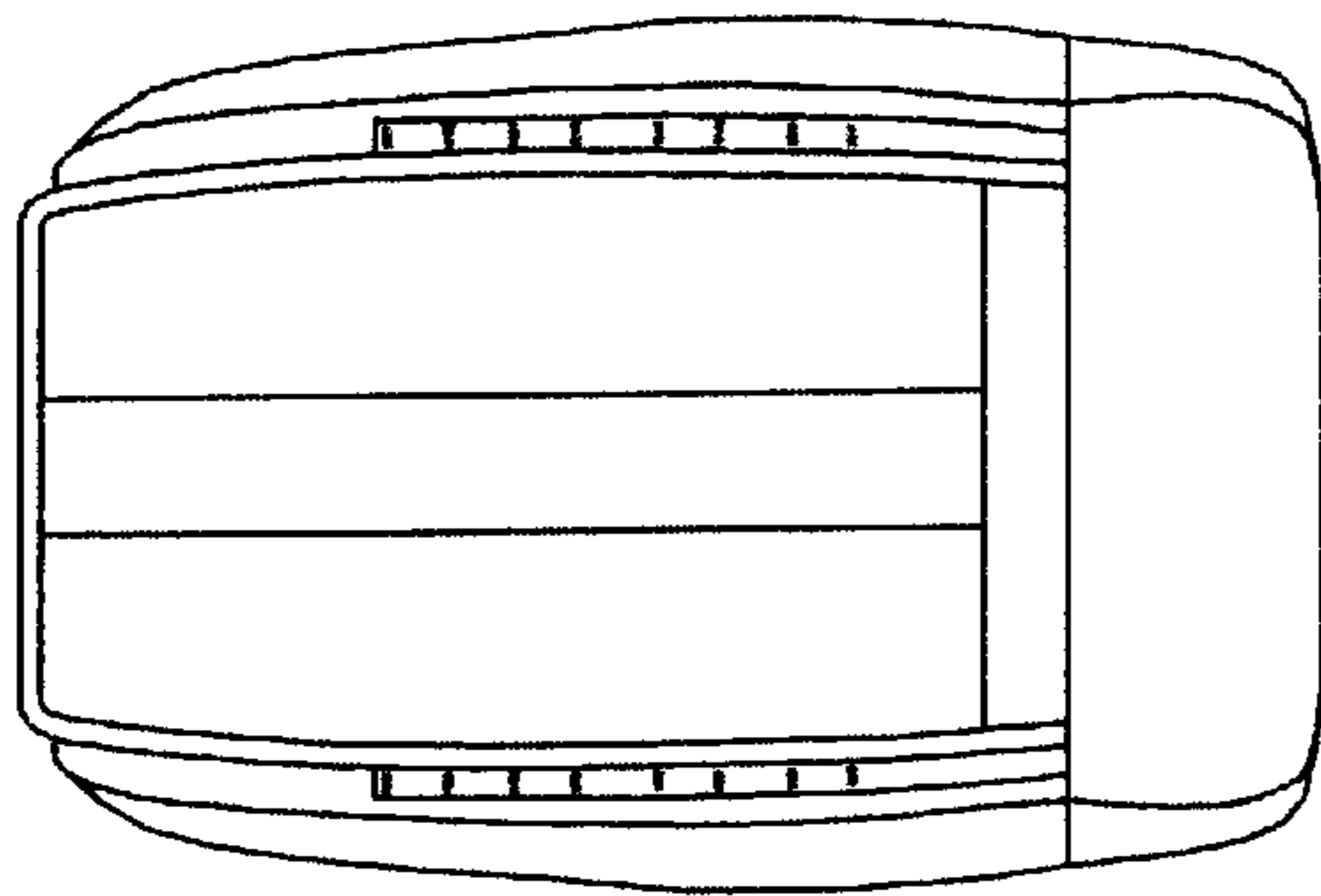


Fig. 3

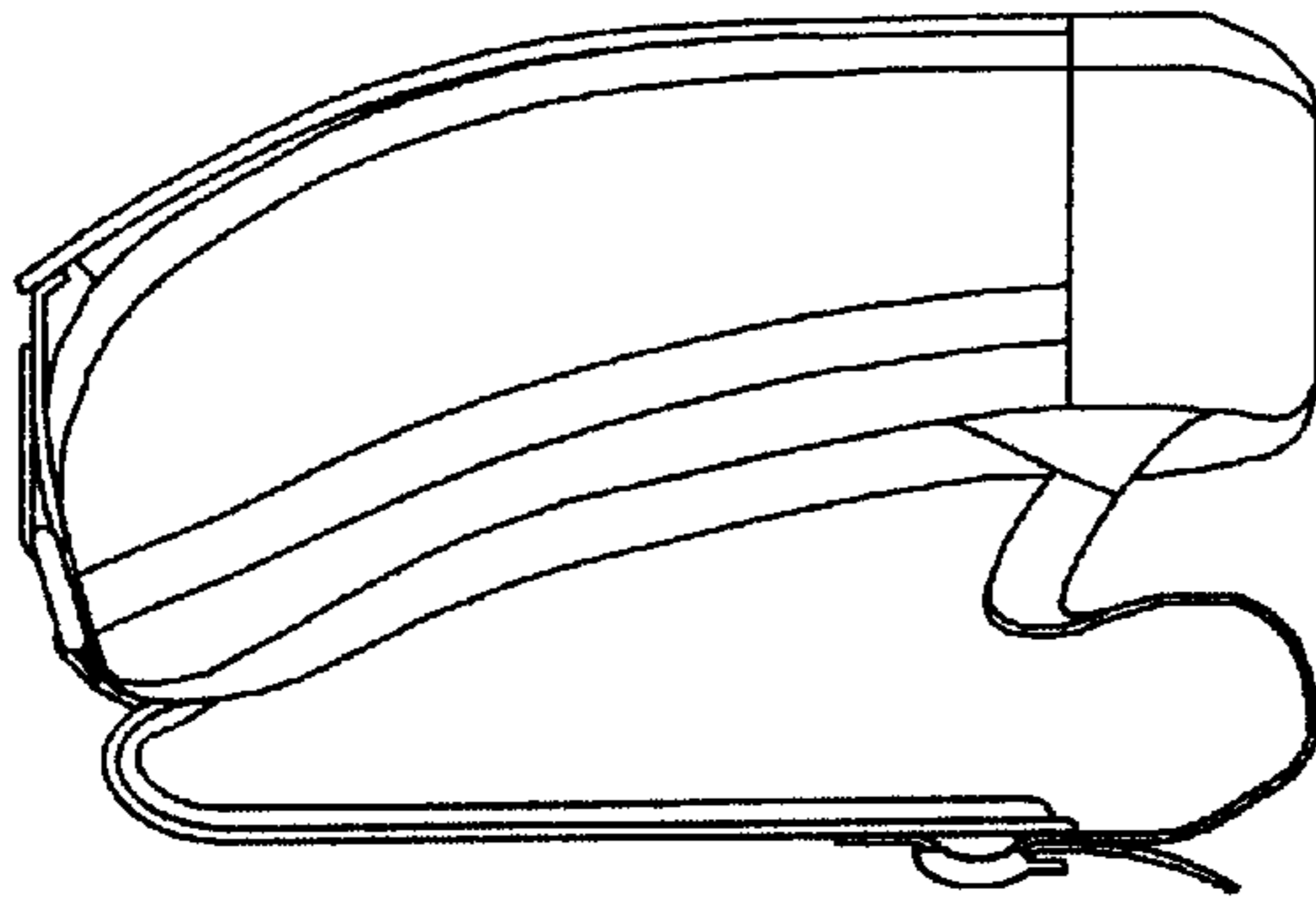


Fig. 4

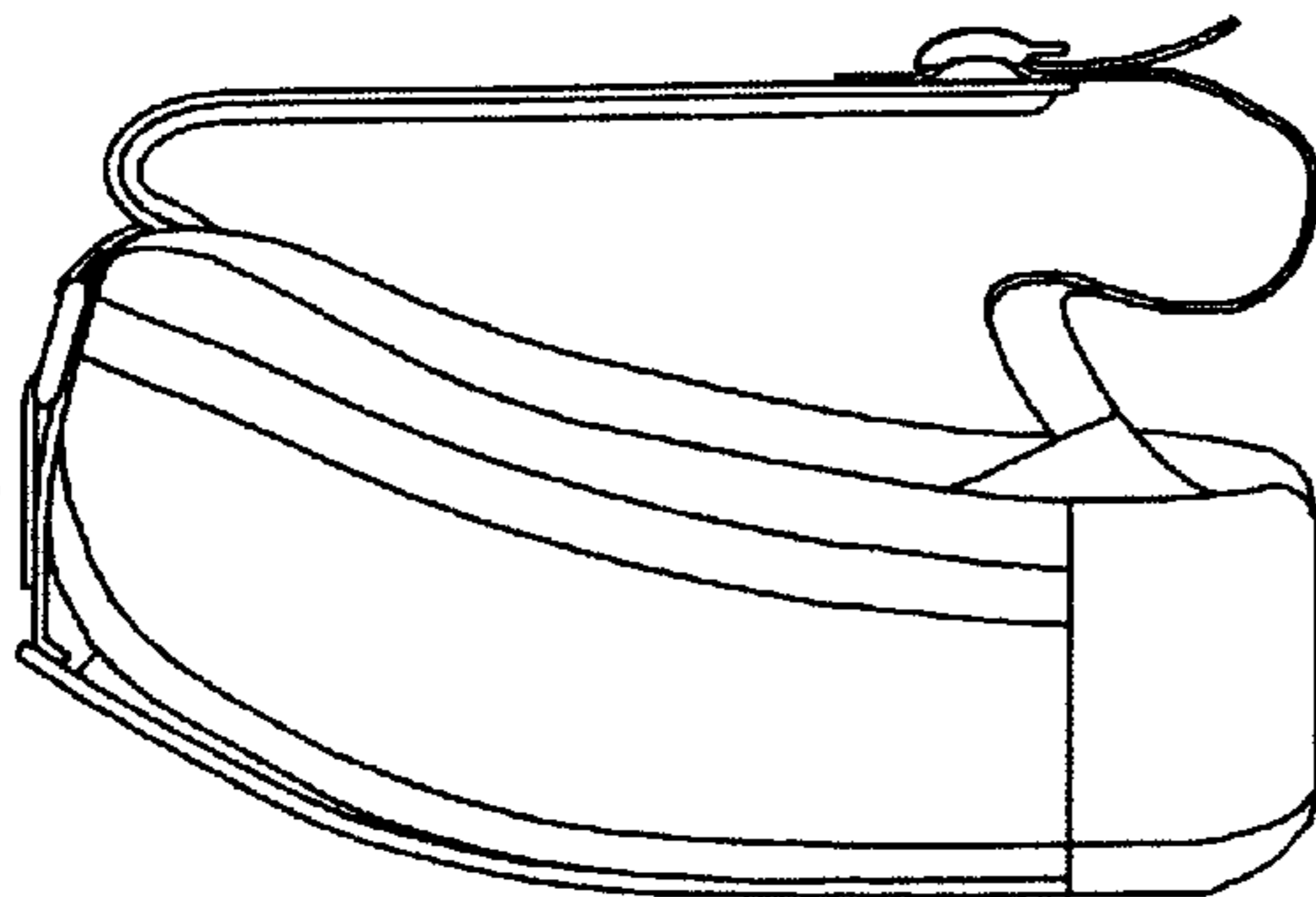


Fig. 5

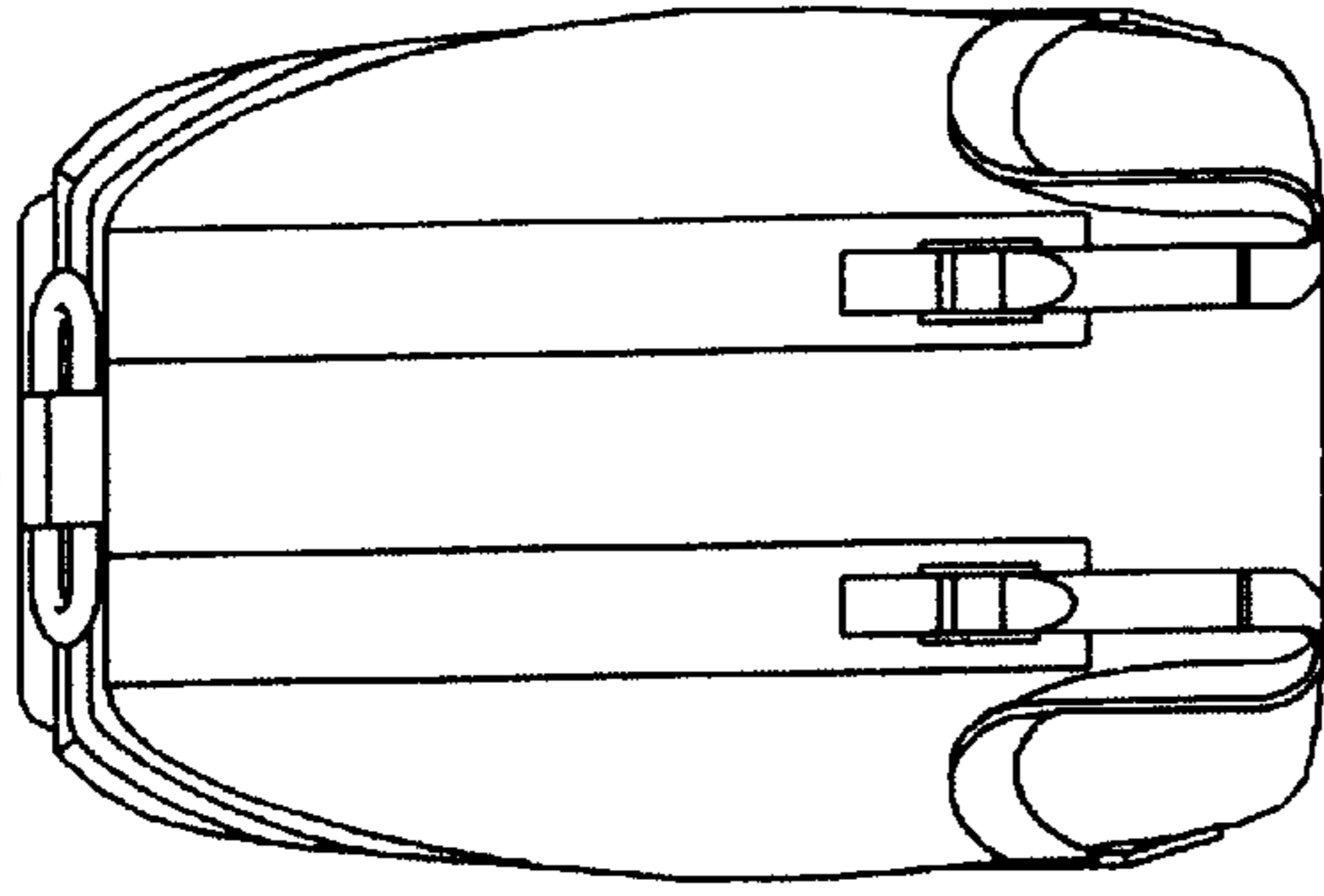


Fig. 6

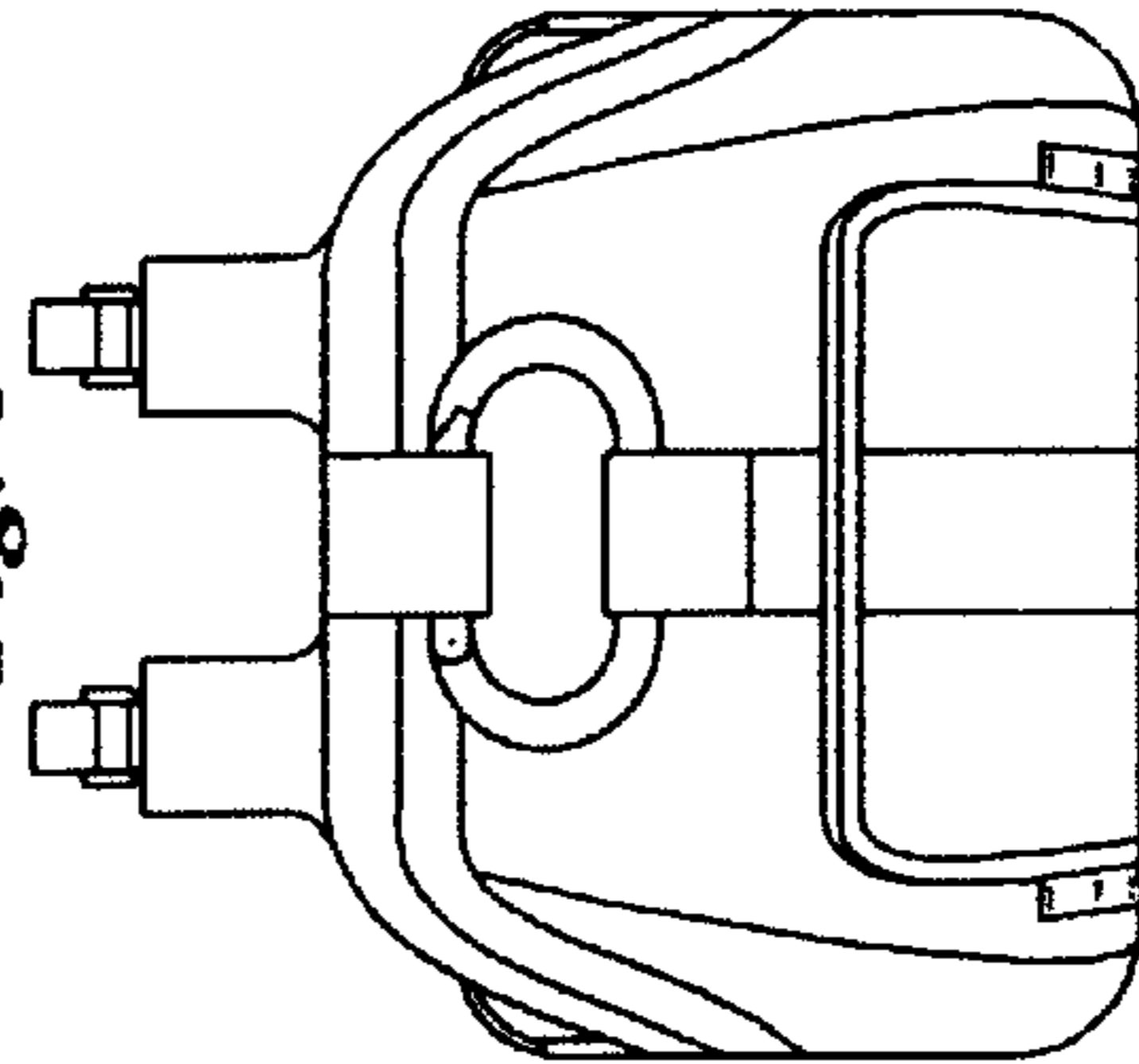


Fig. 7

