



US00D550425S

(12) **United States Design Patent**
York

(10) **Patent No.:** **US D550,425 S**

(45) **Date of Patent:** **** Sep. 4, 2007**

(54) **MATTRESS MOVER**

(76) **Inventor:** **Floyd Lawrence York**, 950 Huasna Rd., #56, Arroyo Grande, CA (US) 93420

(**) **Term:** **14 Years**

(21) **Appl. No.:** **29/259,335**

(22) **Filed:** **May 8, 2006**

(51) **LOC (8) Cl.** **12-05**

(52) **U.S. Cl.** **D34/28**

(58) **Field of Classification Search** D34/28;
5/510; 294/74, 76, 77, 150, 153, 156, 149;
280/797

See application file for complete search history.

(56) **References Cited**

U.S. PATENT DOCUMENTS

1,689,960	A *	10/1928	Nelson	294/148
2,399,786	A *	5/1946	Caton	294/153
2,876,020	A *	3/1959	Murchie	5/510
D208,537	S *	9/1967	Nyssen	D34/23
D340,337	S *	10/1993	Beasley	D34/23
D377,700	S *	1/1997	Butler	D34/28

5,863,056	A *	1/1999	Hostetter	280/47.371
D455,884	S *	4/2002	Ogrodnick	D34/28
D482,837	S *	11/2003	Westbrook	D34/28

* cited by examiner

Primary Examiner—Cynthia E. Ramirez

(57) **CLAIM**

The ornamental design for a mattress mover, as shown and described.

DESCRIPTION

FIG. 1 is a front, left and top perspective view of a mattress mover showing my new design with the hinged stanchions shown folded down;

FIG. 2 is a rear, right and top perspective view thereof, with the hinged stanchions shown in an upright position; and,

FIG. 3 is a perspective view thereof, shown in a collapsed condition.

The broken line showing of a mattress and a dolly in FIGS. 1 and 2 is included for the purpose of illustrating environmental structure and forms no part of the claimed design.

1 Claim, 2 Drawing Sheets

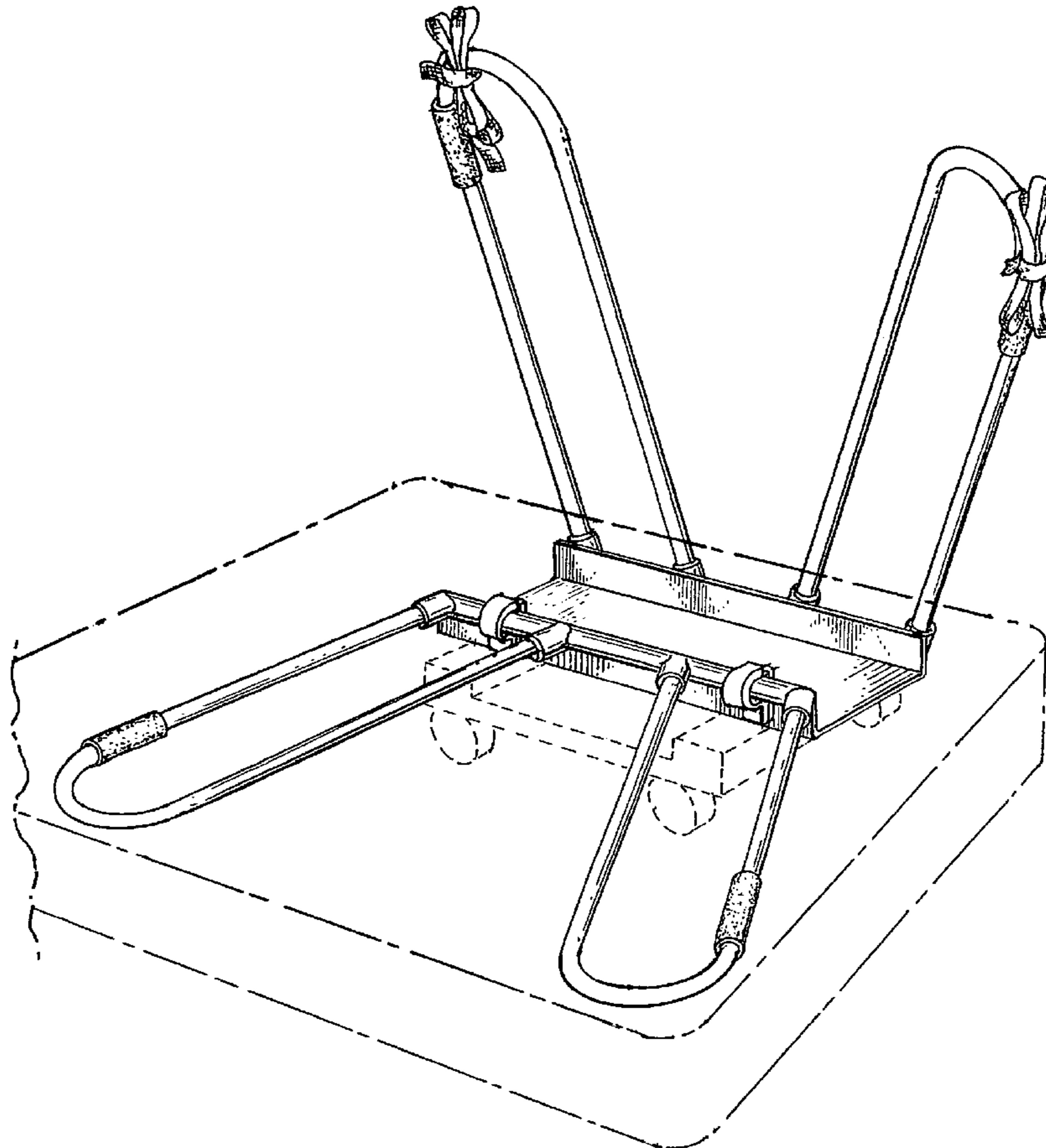


Fig. 1

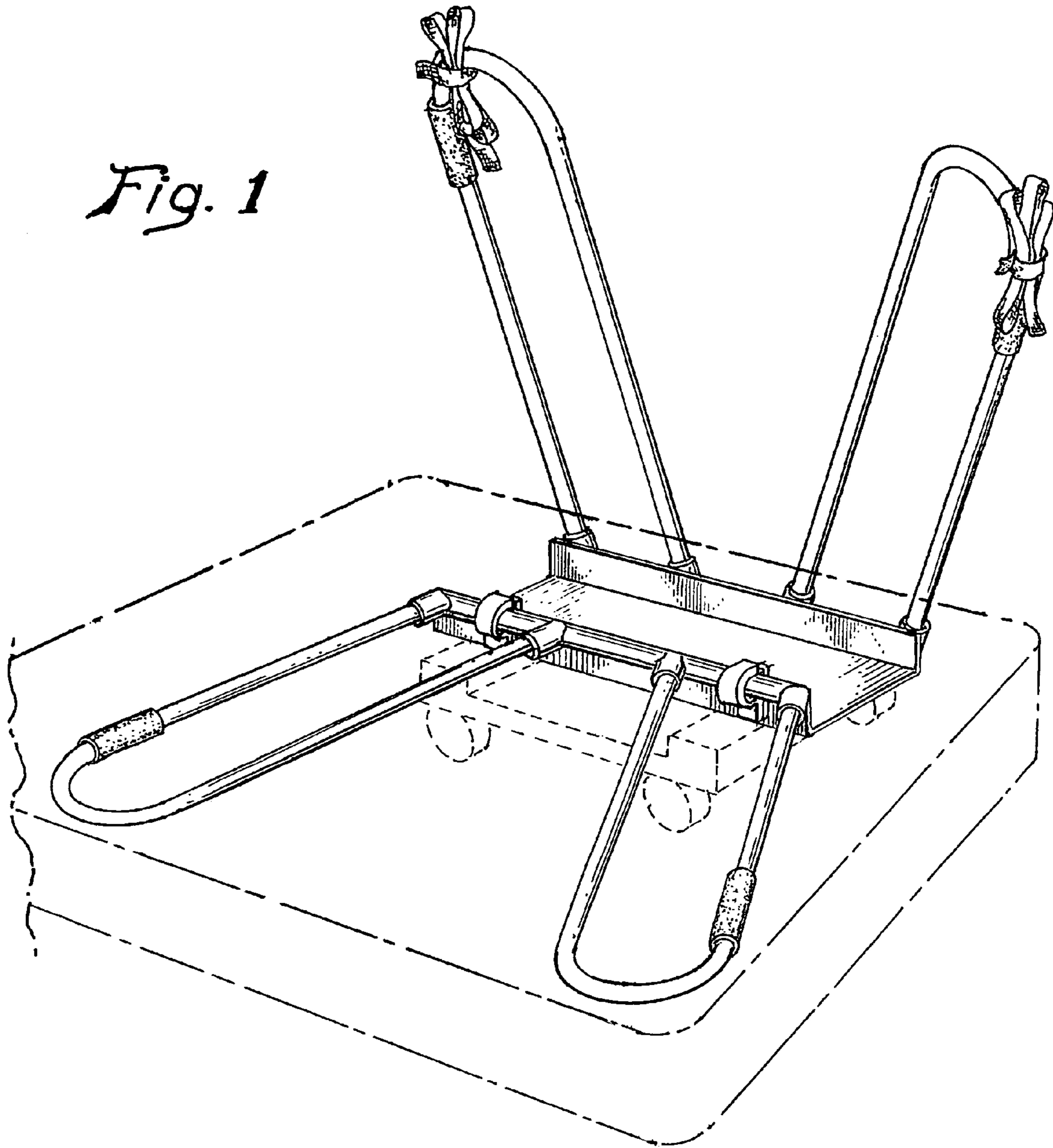


Fig. 2

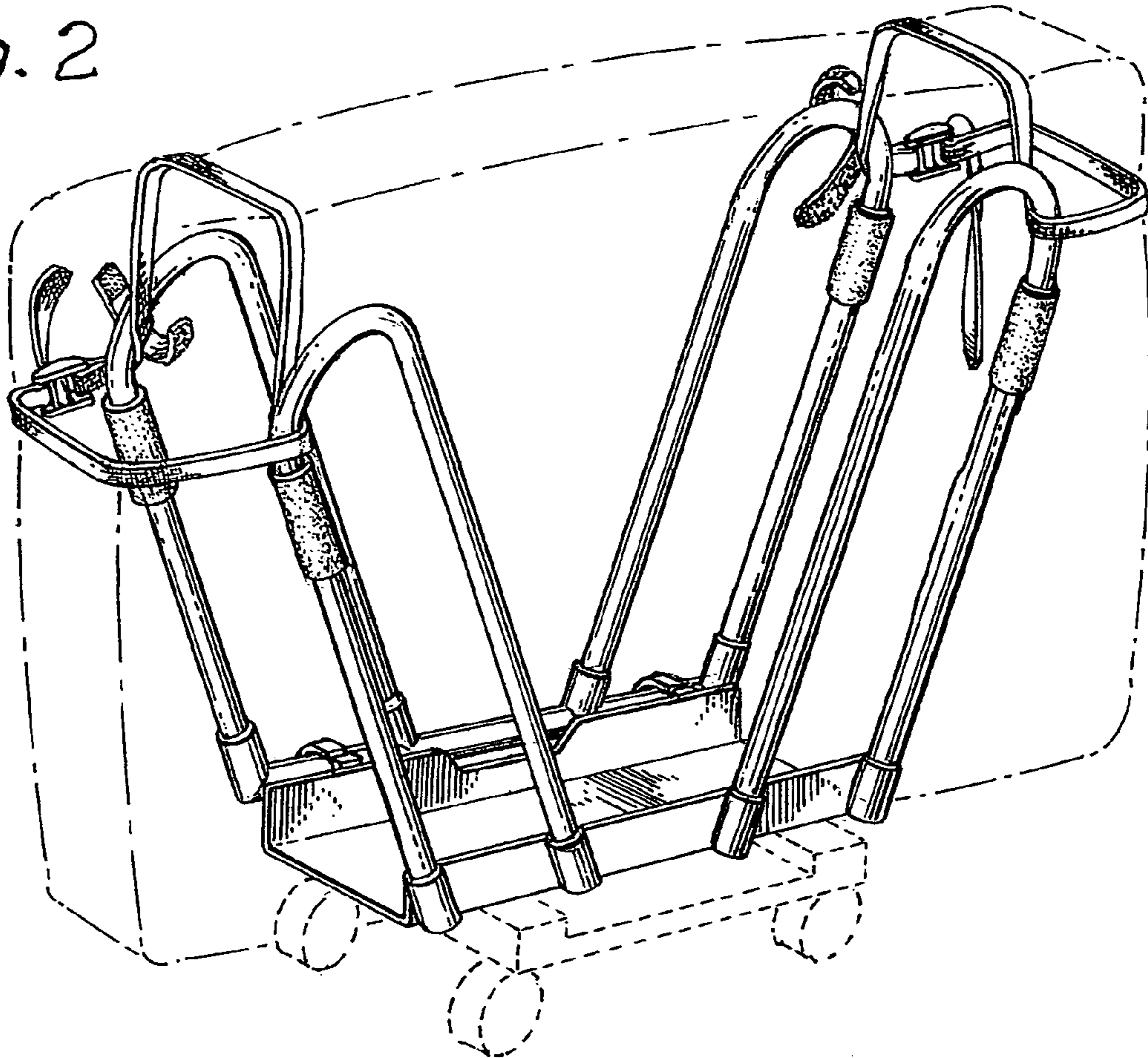


Fig. 3

