



US00D550424S

(12) **United States Design Patent** (10) **Patent No.:** **US D550,424 S**  
**Sears** (45) **Date of Patent:** **\*\* Sep. 4, 2007**

(54) **SHOPPING CART DIRECTORY**

(76) Inventor: **Richard Ryan Sears**, 6903 Mordred La., Charlotte, NC (US) 28277

(\*\*) Term: **14 Years**

(21) Appl. No.: **29/265,090**

(22) Filed: **Aug. 24, 2006**

(51) **LOC (8) Cl.** ..... **12-02**

(52) **U.S. Cl.** ..... **D34/27**

(58) **Field of Classification Search** ..... D34/27;  
 40/308, 506; 280/99.2, 33.991, 991, 62,  
 280/147.17, 646; D12/133; 224/277  
 See application file for complete search history.

(56) **References Cited**

U.S. PATENT DOCUMENTS

2,884,189	A *	4/1959	Palmer	.....	235/435
2,888,761	A *	6/1959	Miller	.....	40/308
3,539,204	A *	11/1970	Keller	.....	281/45
3,782,747	A *	1/1974	Hamilton, Jr.	.....	280/33.992
D284,610	S *	7/1986	Harris et al.	.....	D34/27
4,685,701	A *	8/1987	Amundson et al.	.....	281/42
4,988,025	A *	1/1991	Lipton et al.	.....	224/411
D352,588	S *	11/1994	Orphan	.....	D34/27
D484,664	S *	12/2003	Arceta	.....	D34/27
D536,603	S *	2/2007	Worrall et al.	.....	D8/363

D539,500 S \* 3/2007 Perrier et al. .... D34/27  
 D540,002 S \* 4/2007 Perrier et al. .... D34/27

\* cited by examiner

*Primary Examiner*—Cynthia E. Ramirez  
 (74) *Attorney, Agent, or Firm*—Clements Walker; Jason S. Miller

(57) **CLAIM**

The ornamental design for a shopping cart directory, as shown and described.

**DESCRIPTION**

FIG. 1 is a perspective view of a shopping cart directory, according to the present invention;  
 FIG. 2 is a perspective view of FIG. 1;  
 FIG. 3 is top perspective view of FIG. 1;  
 FIG. 4 is a bottom perspective view of FIG. 1;  
 FIG. 5 is a side plan view of FIG. 1.  
 FIG. 6 is a top plan view of FIG. 1; and,  
 FIG. 7 is a bottom plan view of FIG. 1.

The broken line showing in FIGS. 1 and 2 is included for the purpose of illustrating environment and forms no part of the claimed design.

**1 Claim, 7 Drawing Sheets**



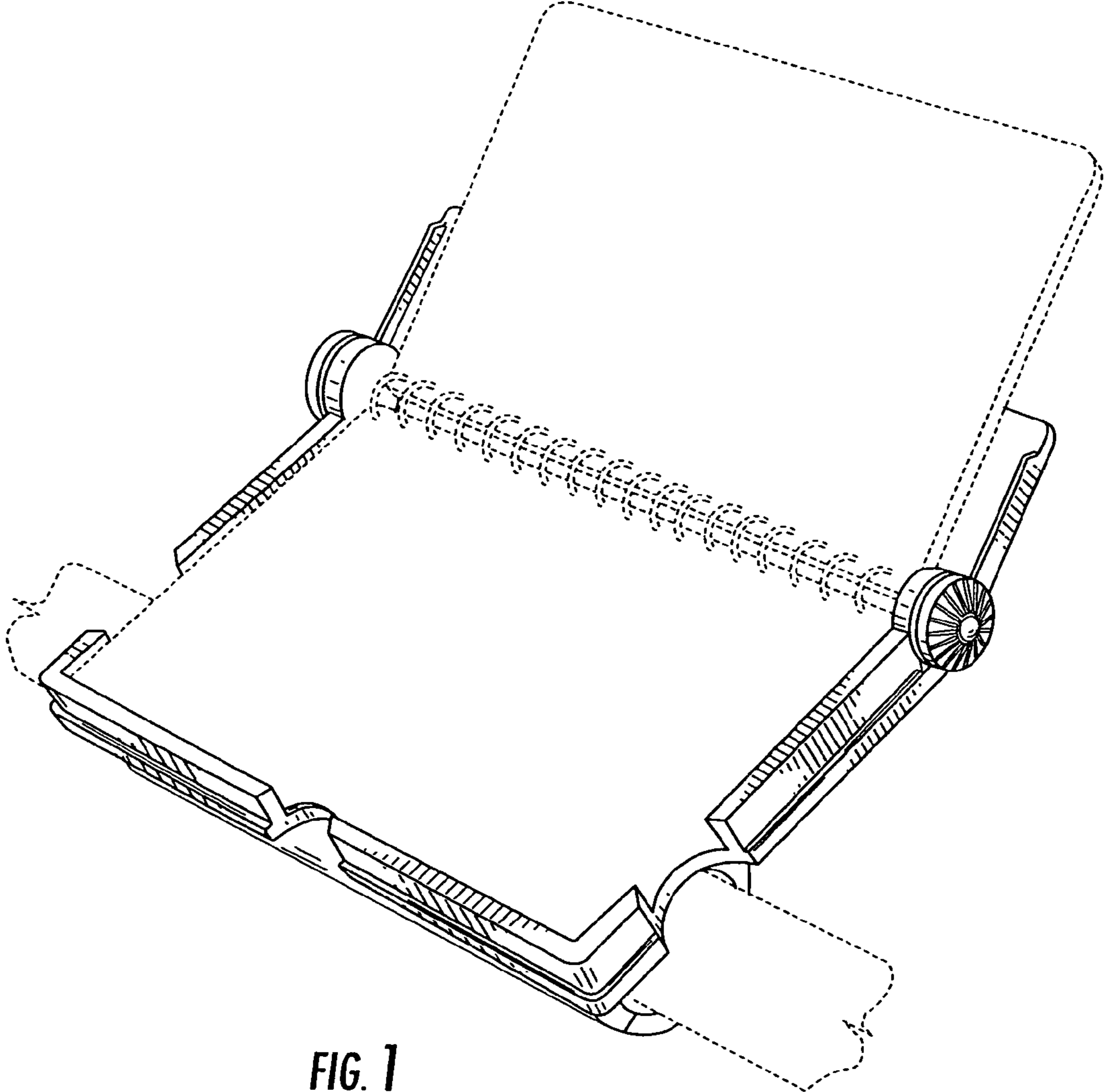


FIG. 1

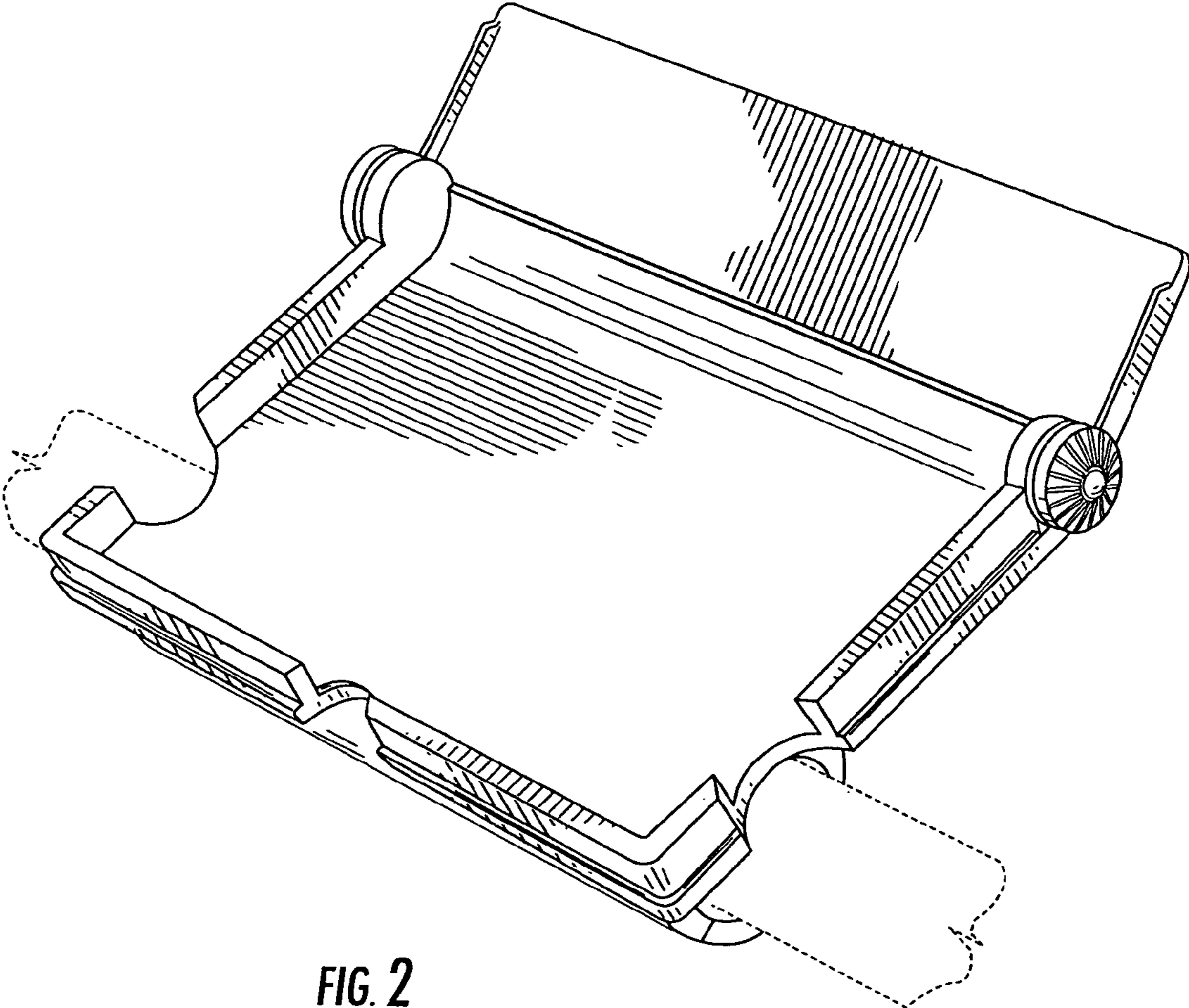


FIG. 2

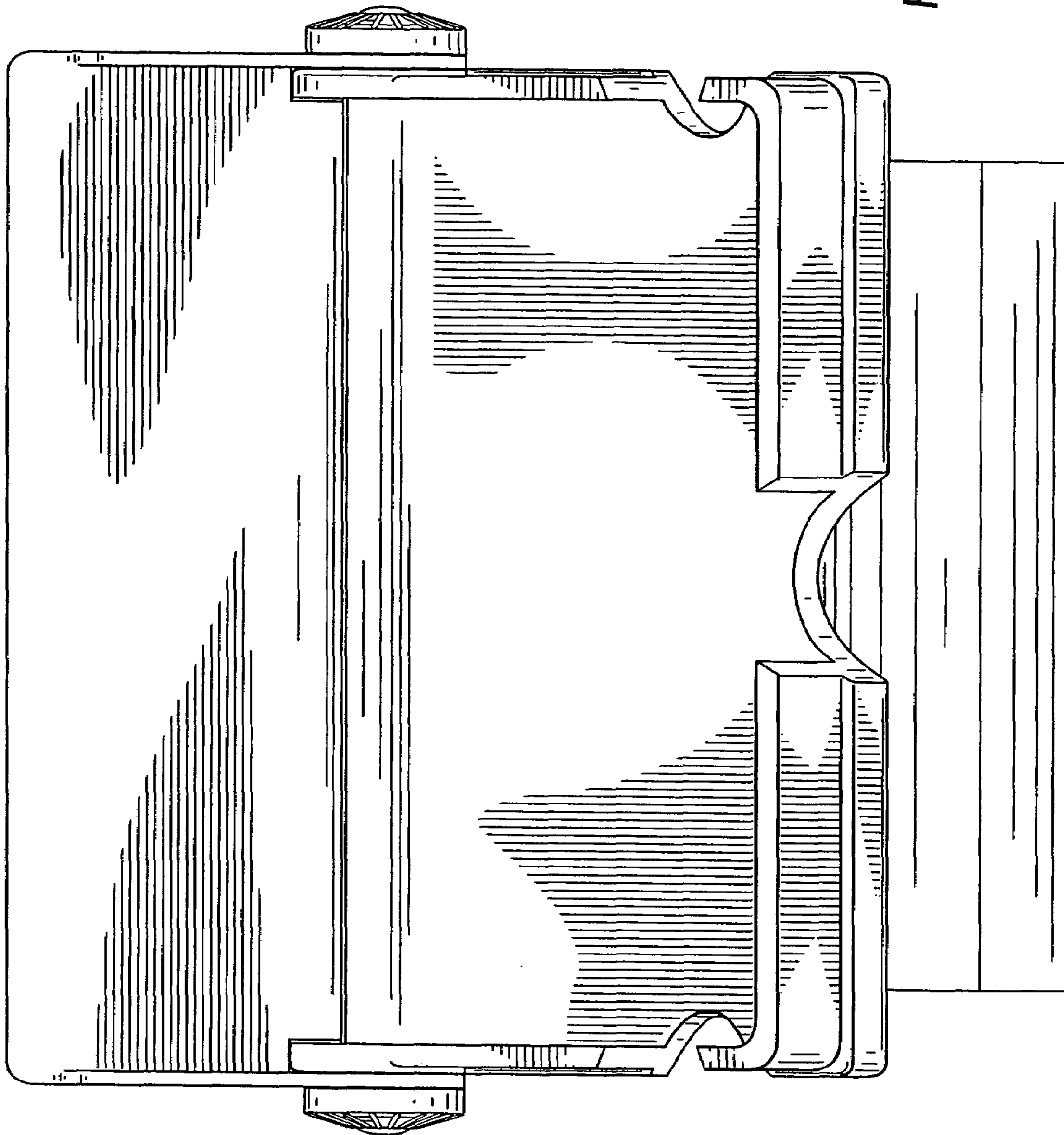


FIG. 3

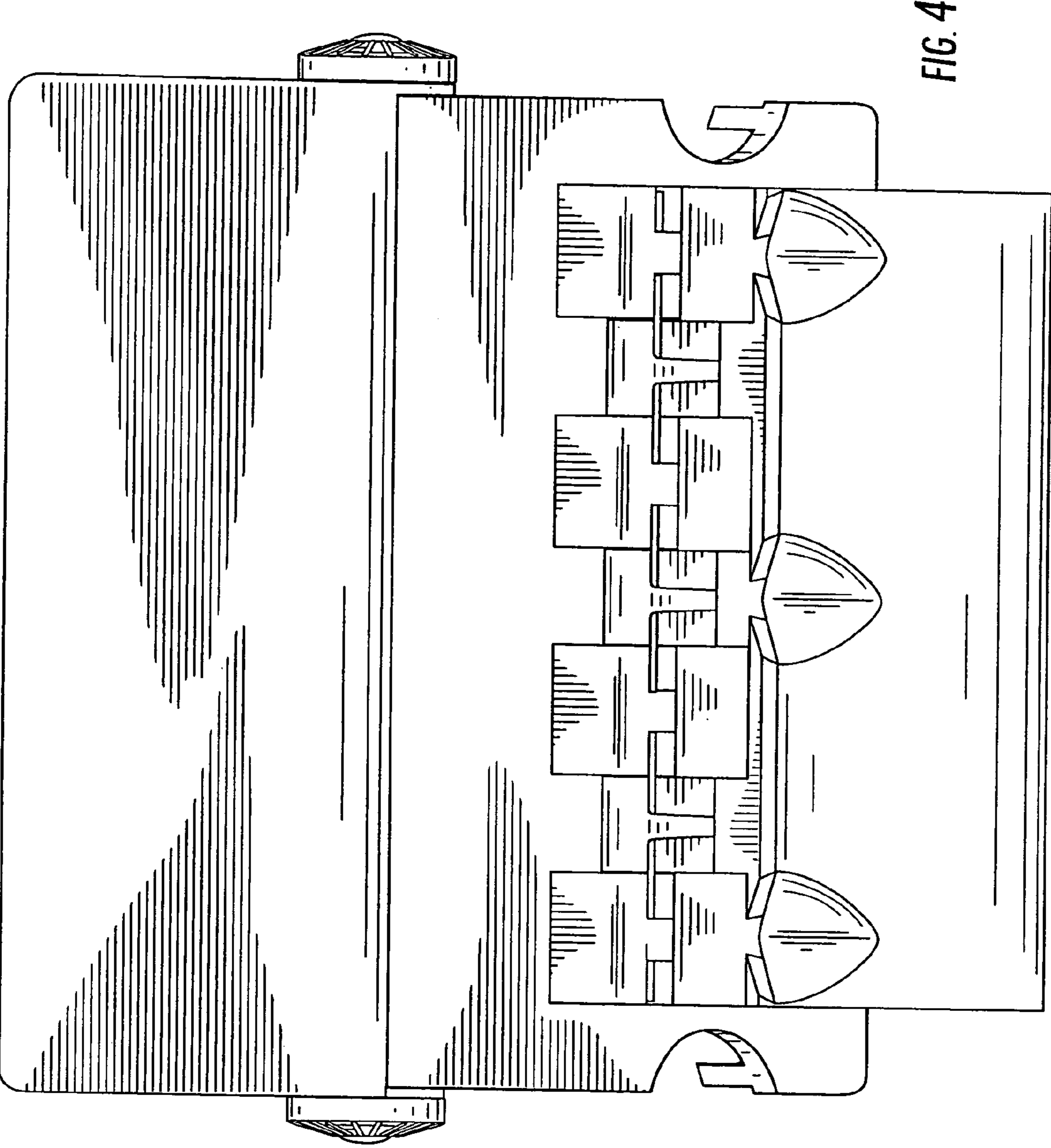


FIG. 4

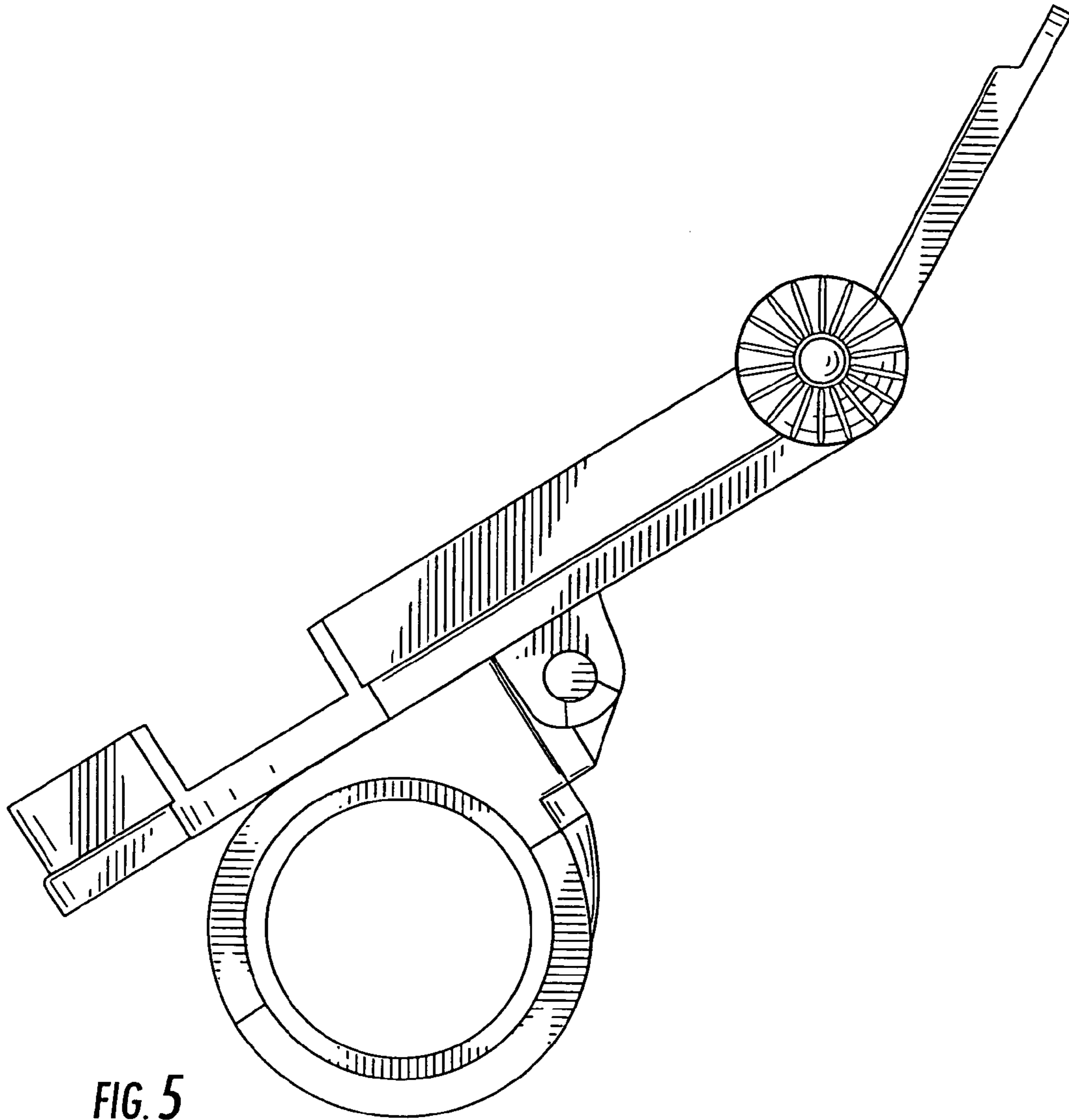


FIG. 6

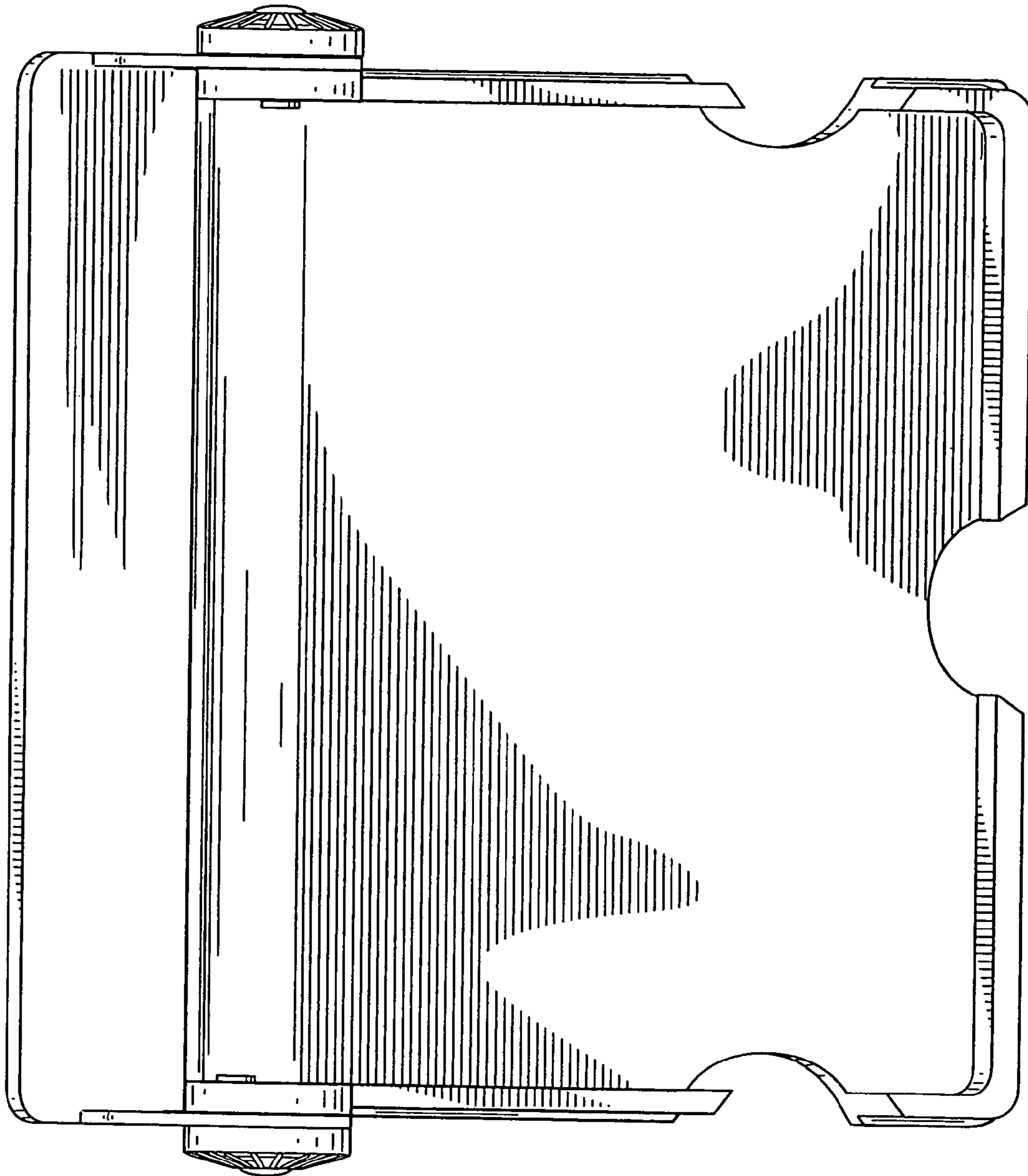


FIG. 7

