



US00D550422S

(12) **United States Design Patent**
Lonergan

(10) **Patent No.:** **US D550,422 S**

(45) **Date of Patent:** **** Sep. 4, 2007**

(54) **AERATOR FOR A COMPOSTING BIN**

(75) Inventor: **Gregory Terrence Lonergan,**
Heidelber (AU)

(73) Assignee: **Ecompost Pty. Ltd.,** South Yarra,
Victoria (AU)

(**) Term: **14 Years**

(21) Appl. No.: **29/271,200**

(22) Filed: **Jan. 12, 2007**

Related U.S. Application Data

(62) Division of application No. 29/219,213, filed on Dec.
15, 2004, now Pat. No. Des. 538,996.

(51) **LOC (8) Cl.** **09-09**

(52) **U.S. Cl.** **D34/10**

(58) **Field of Classification Search** D34/1,
D34/10, 11; 220/908, 908.1, 908.2; 435/290.1,
435/290.4

See application file for complete search history.

(56) **References Cited**

U.S. PATENT DOCUMENTS

4,105,412 A 8/1978 Petzinger

6,218,177 B1 4/2001 Natrass
6,518,057 B2 2/2003 Morrison
D507,166 S 7/2005 Chen
6,921,661 B2 7/2005 Nagy et al.
D513,588 S 1/2006 Vovan

Primary Examiner—Cynthia E. Ramirez
(74) *Attorney, Agent, or Firm*—Baker & Hostetler LLP

(57) **CLAIM**

The ornamental design for an aerator for a composting bin,
as shown and described.

DESCRIPTION

FIG. 1 is a perspective view of an aerator for a composting
bin according to a preferred embodiment of the present
invention;

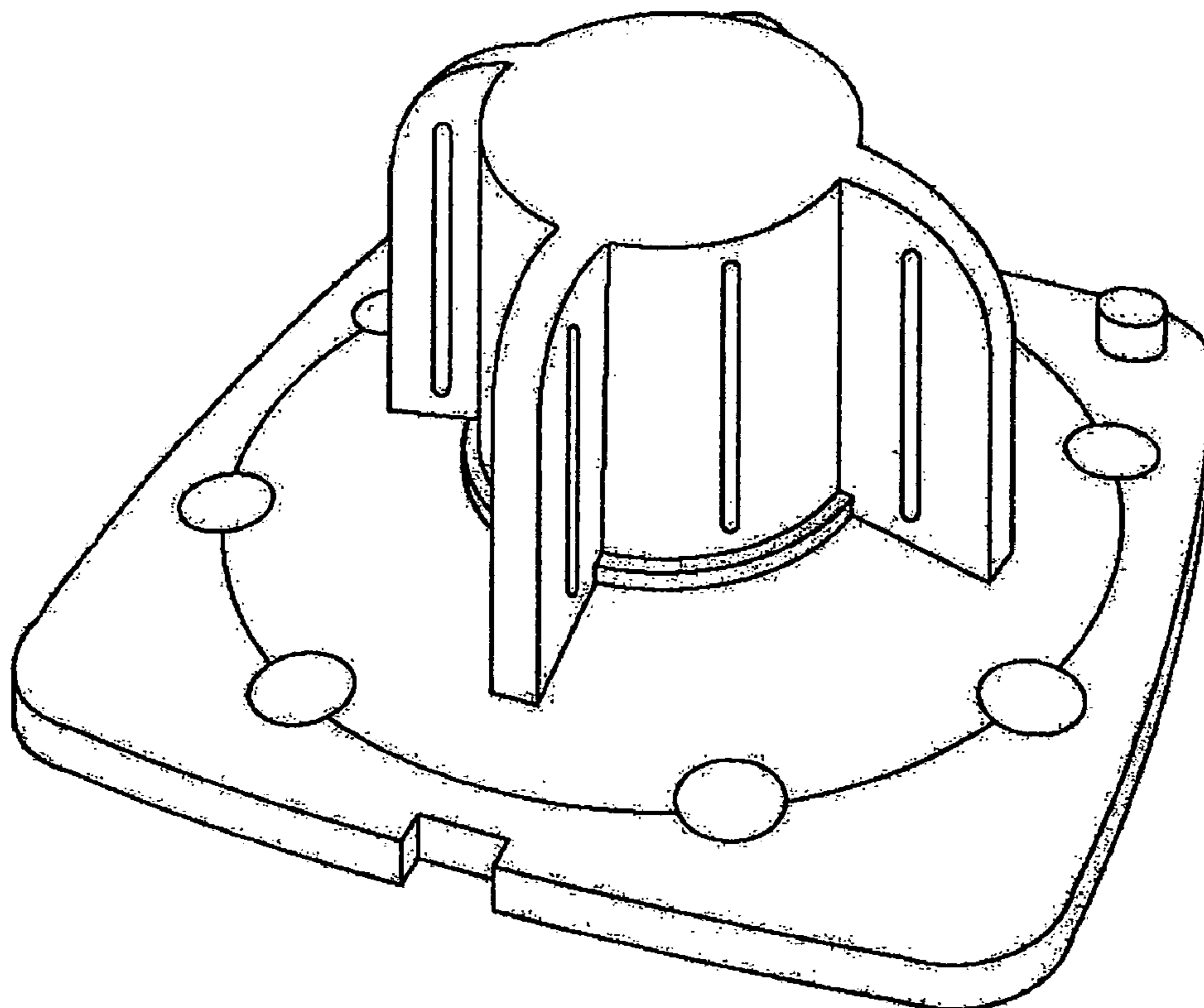
FIG. 2 is a bottom view of thereof;

FIG. 3 is a front view thereof;

FIG. 4 is a side view thereof; and,

FIG. 5 is a top view thereof.

1 Claim, 5 Drawing Sheets



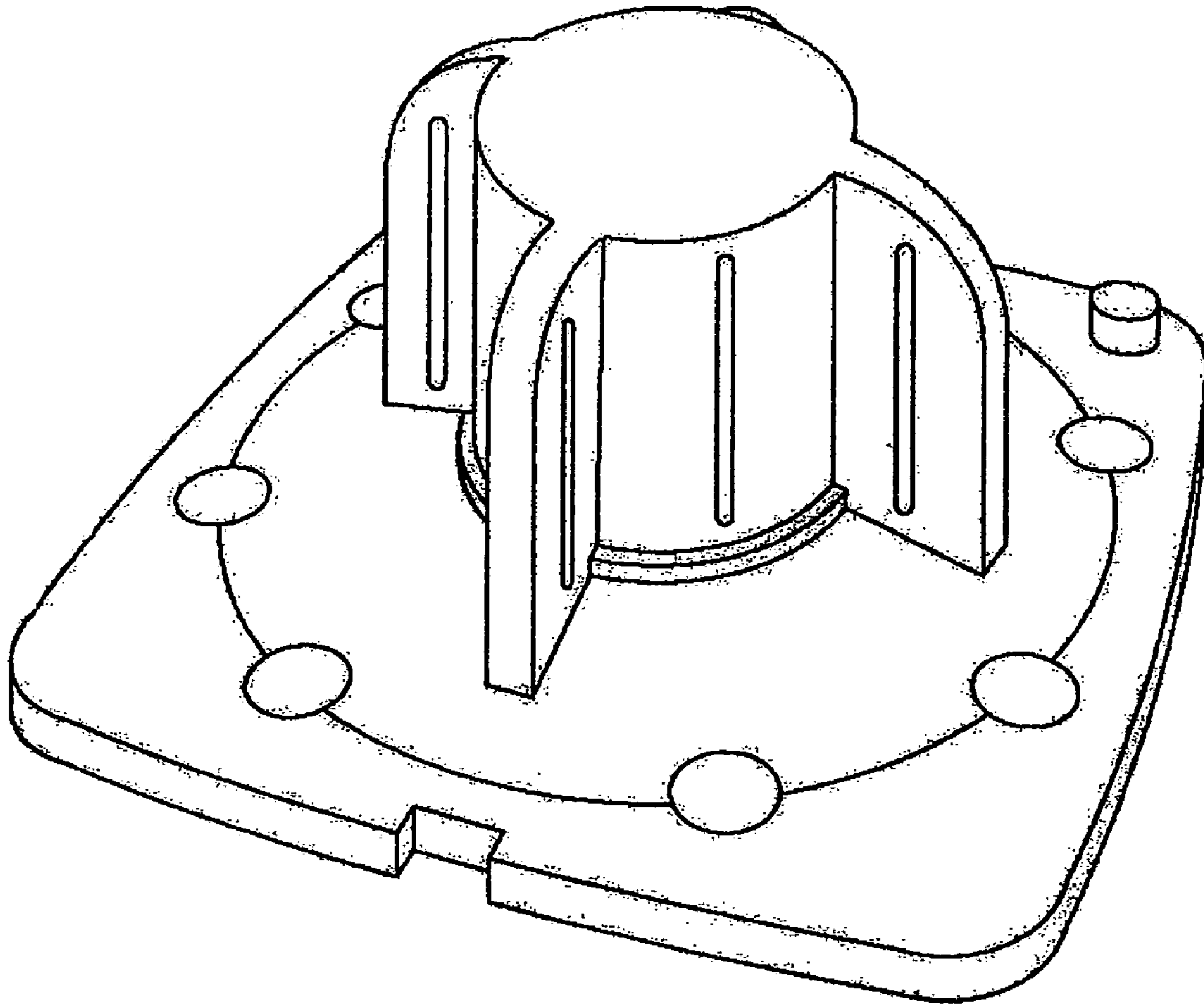


FIG. 1

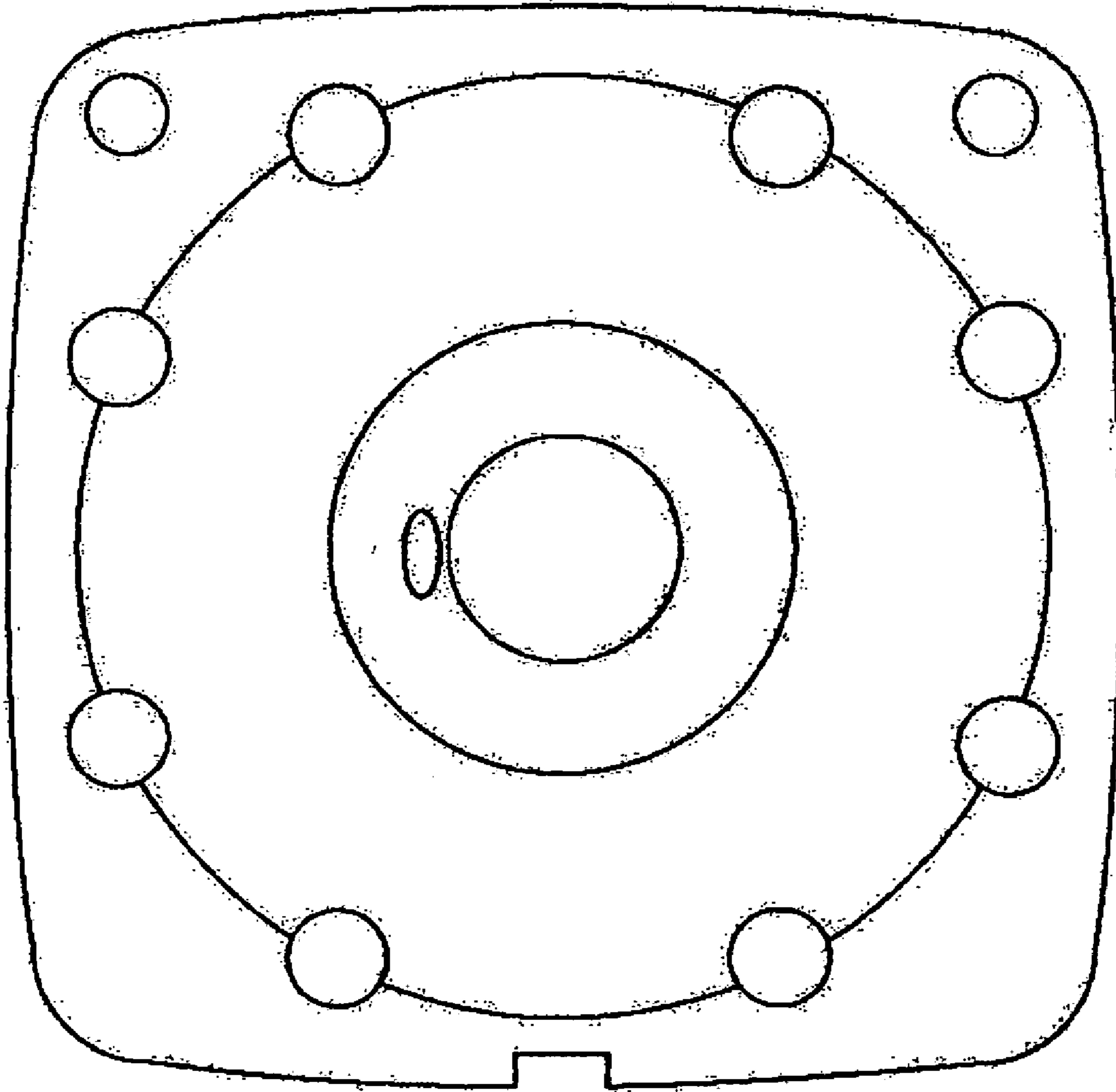


FIG. 2

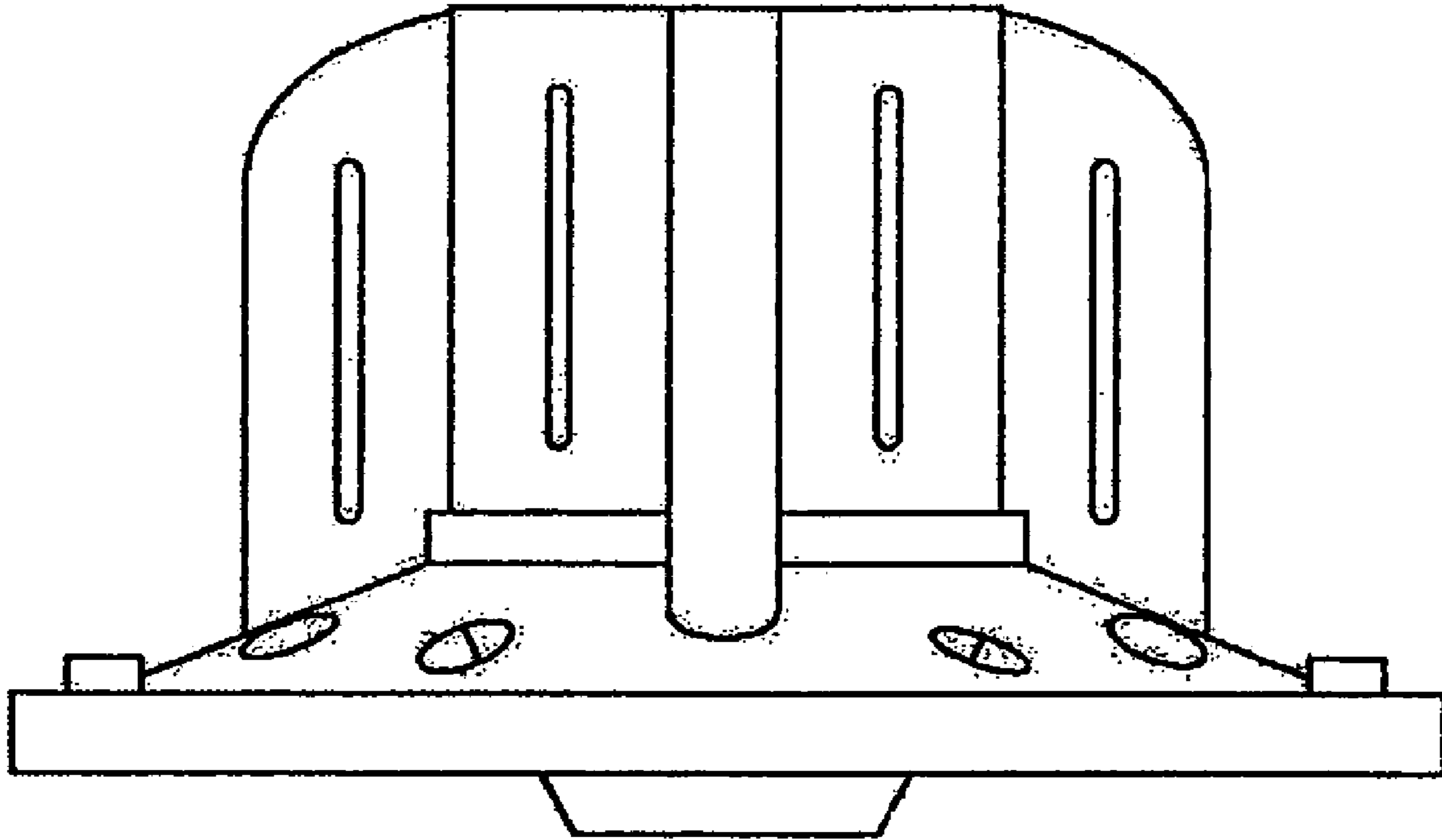


FIG. 3

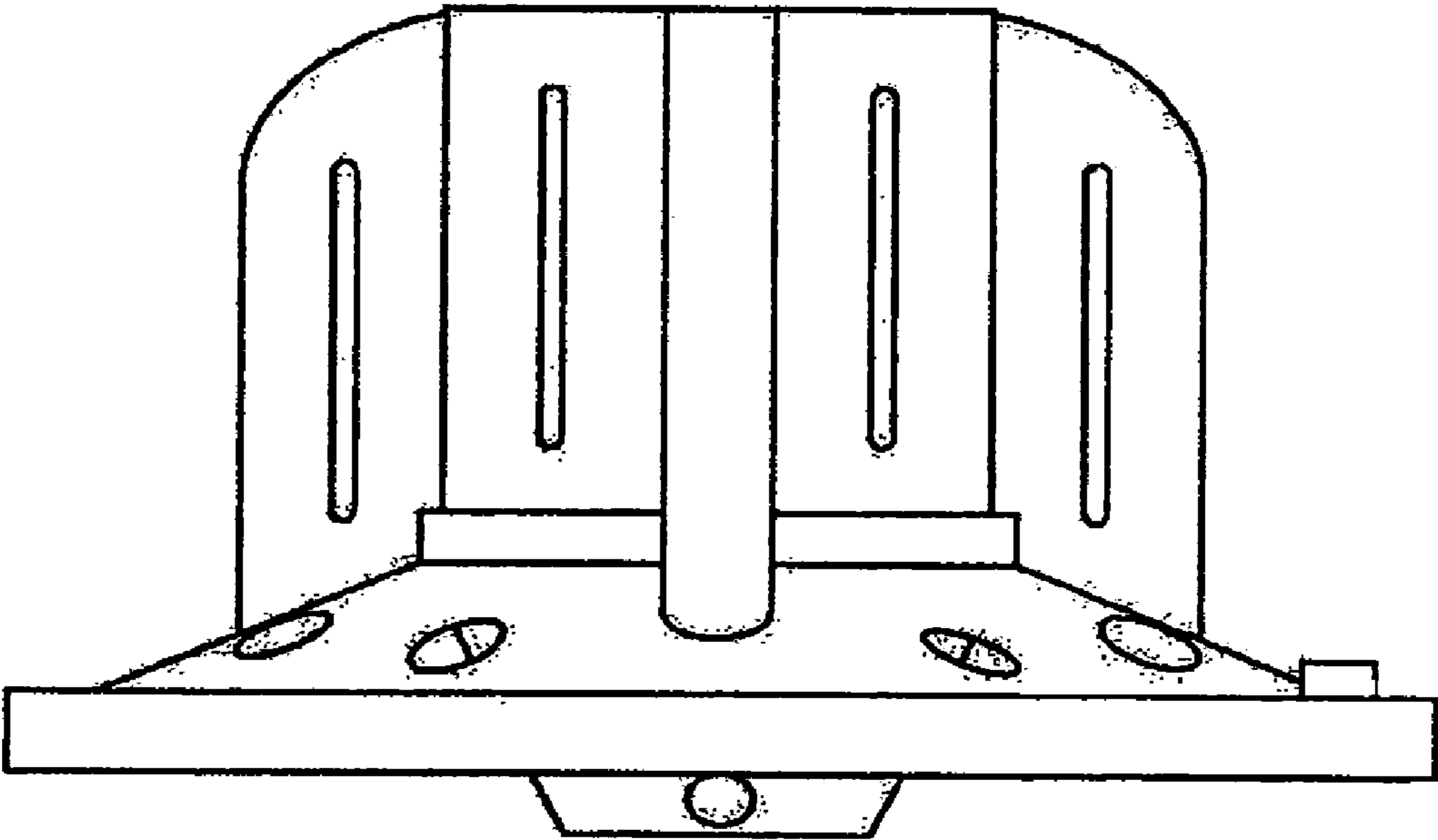


FIG. 4

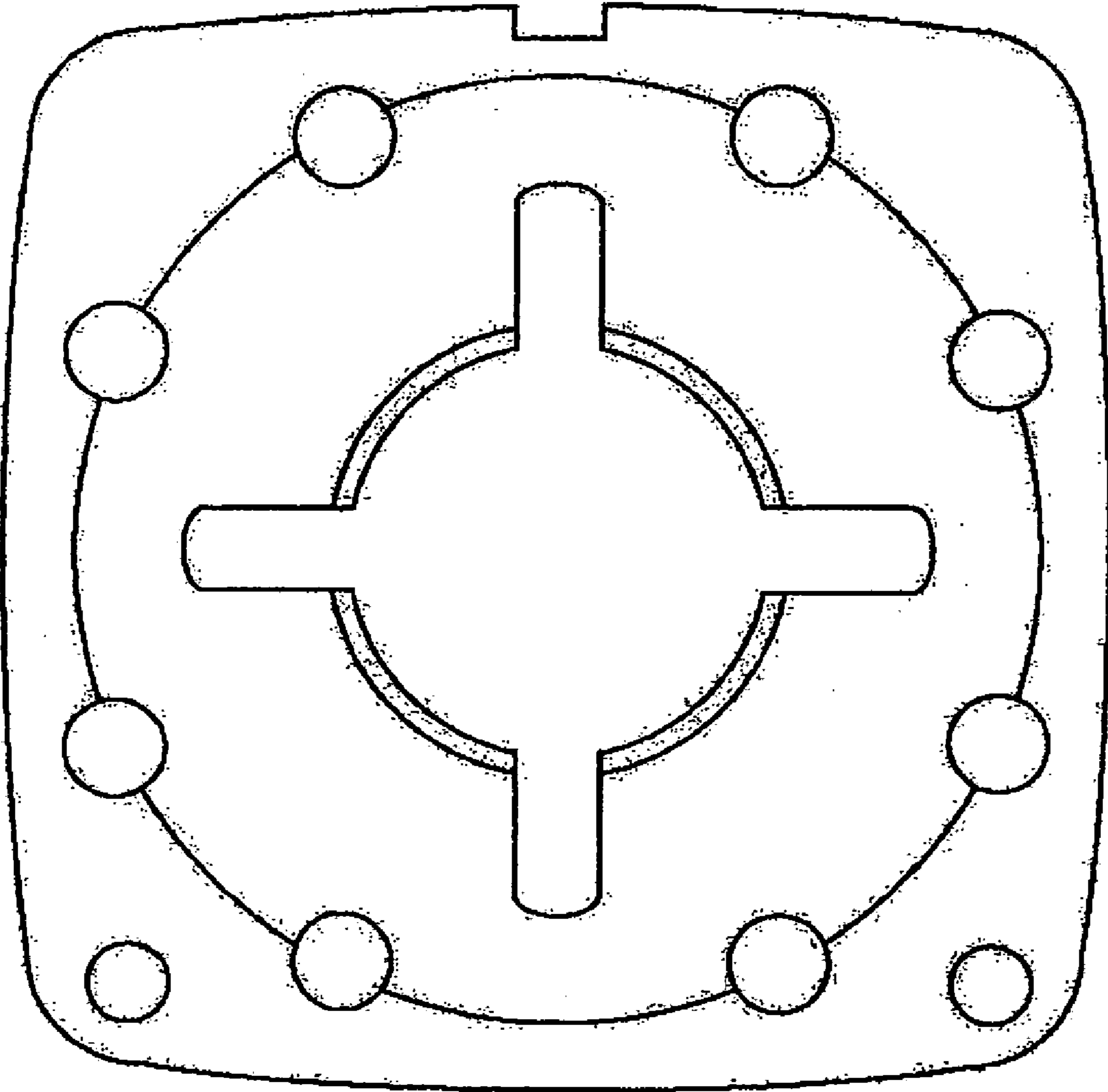


FIG. 5