



US00D550418S

(12) **United States Design Patent**
Weaver et al.

(10) **Patent No.:** **US D550,418 S**

(45) **Date of Patent:** **** Sep. 4, 2007**

(54) **COMBINATION MOP WRINGER AND BUCKET**

(75) Inventors: **Jace A. Weaver**, Gilbertsville, PA (US);
George Medlar, Runnemede, NJ (US);
Sean E. Monahan, Audubon, NJ (US);
Ryan Sheckels, Marlton, NJ (US);
Robert E. Petner, Burlington, NJ (US);
Jonathan Adam Jaffe, Voorhees, NJ (US)

(73) Assignee: **Quickie Manufacturing Corp.**,
Cinnaminson, NJ (US)

(**) Term: **14 Years**

(21) Appl. No.: **29/261,535**

(22) Filed: **Jun. 15, 2006**

(51) **LOC (8) Cl.** **07-07**

(52) **U.S. Cl.** **D32/53**

(58) **Field of Classification Search** D32/53,
D32/53.1, 54; 15/260-262, 264; 220/604,
220/608, 669, 735, 760, 768; 206/514
See application file for complete search history.

(56) **References Cited**

U.S. PATENT DOCUMENTS

D255,976 S 7/1980 Maza et al.
D362,941 S 10/1995 Delmerico et al.

5,974,621 A * 11/1999 Wilen 15/261
5,983,441 A * 11/1999 Williams et al. 15/261
6,006,397 A * 12/1999 Williams et al. 15/261
D429,396 S * 8/2000 Houry et al. D32/53
6,389,638 B1 * 5/2002 Dickinson et al. 15/261
6,457,203 B1 * 10/2002 Williams et al. 15/261
6,671,923 B2 1/2004 Gromnicki
D489,852 S * 5/2004 Perelli D32/53

* cited by examiner

Primary Examiner—Pamela J. Burgess

(74) *Attorney, Agent, or Firm*—Stuart M. Goldstein

(57) **CLAIM**

The ornamental design for a combination mop wringer and bucket, as shown and described.

DESCRIPTION

FIG. 1 is a top perspective view of a combination mop wringer and bucket showing our new design;

FIG. 2 is a left side elevational view thereof;

FIG. 3 is a right side elevational view thereof;

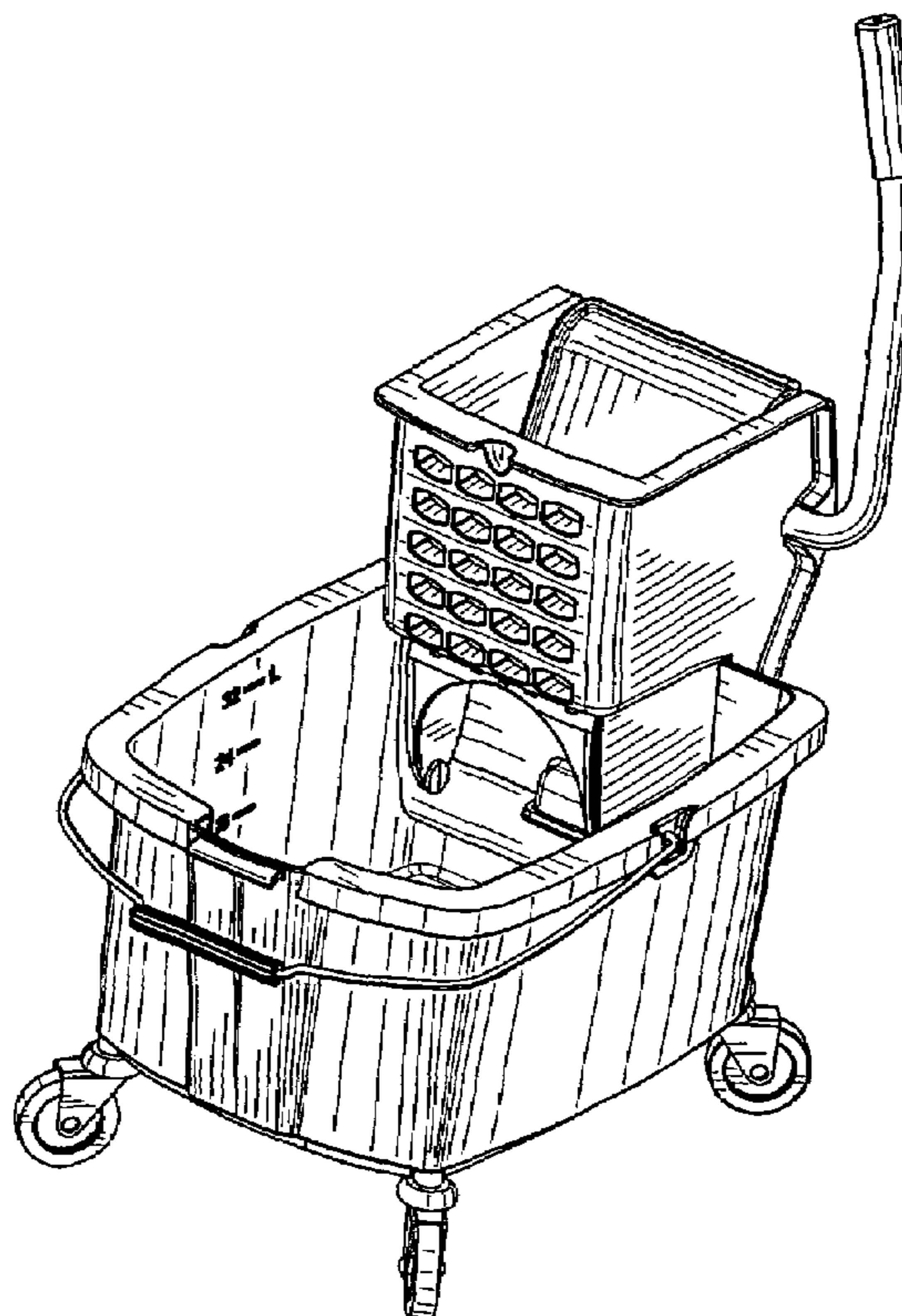
FIG. 4 is a front elevational view thereof;

FIG. 5 is a rear elevational view thereof;

FIG. 6 is a top plan view thereof; and,

FIG. 7 is a bottom plan view thereof.

1 Claim, 4 Drawing Sheets



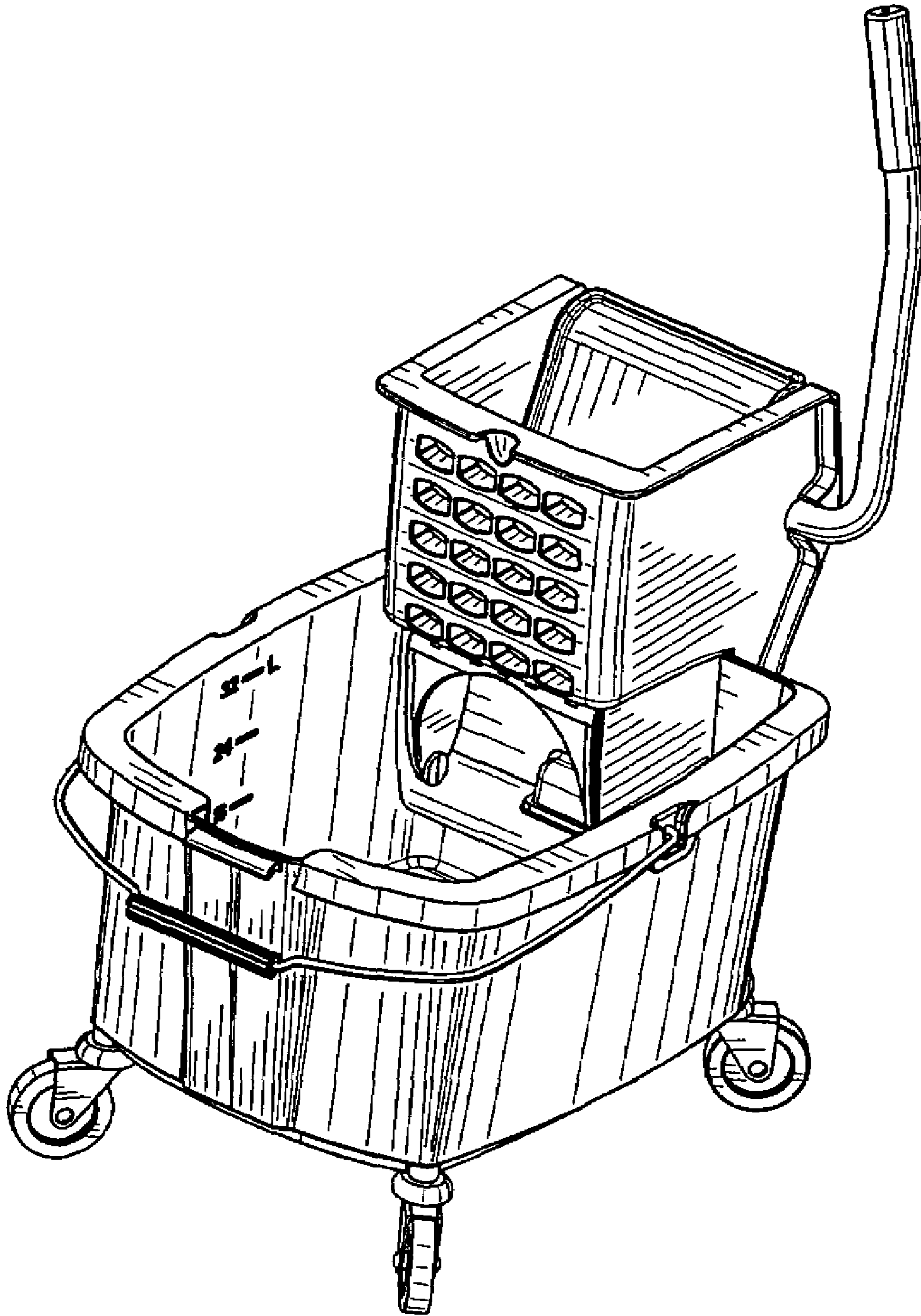


FIG. 1

FIG. 2

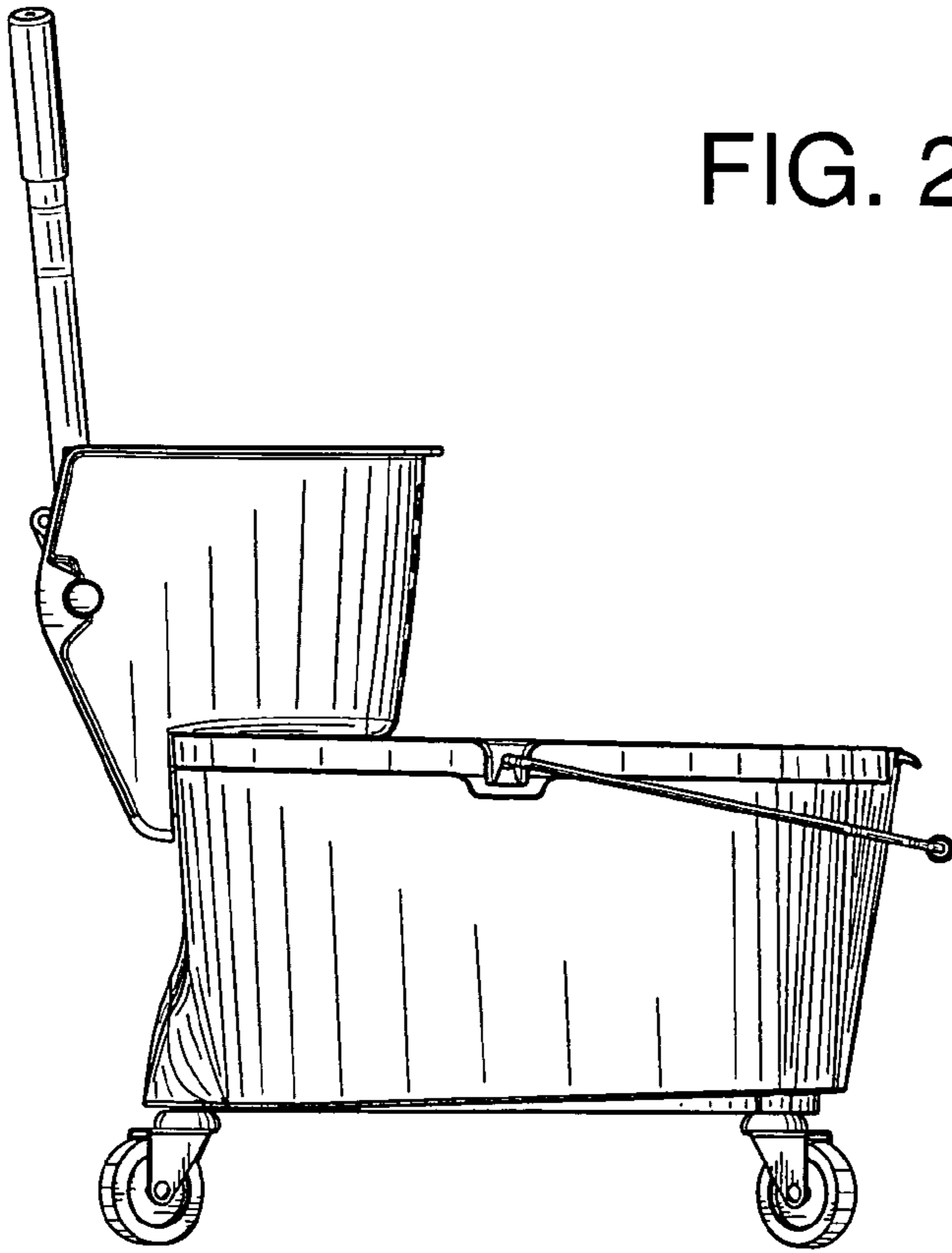


FIG. 3

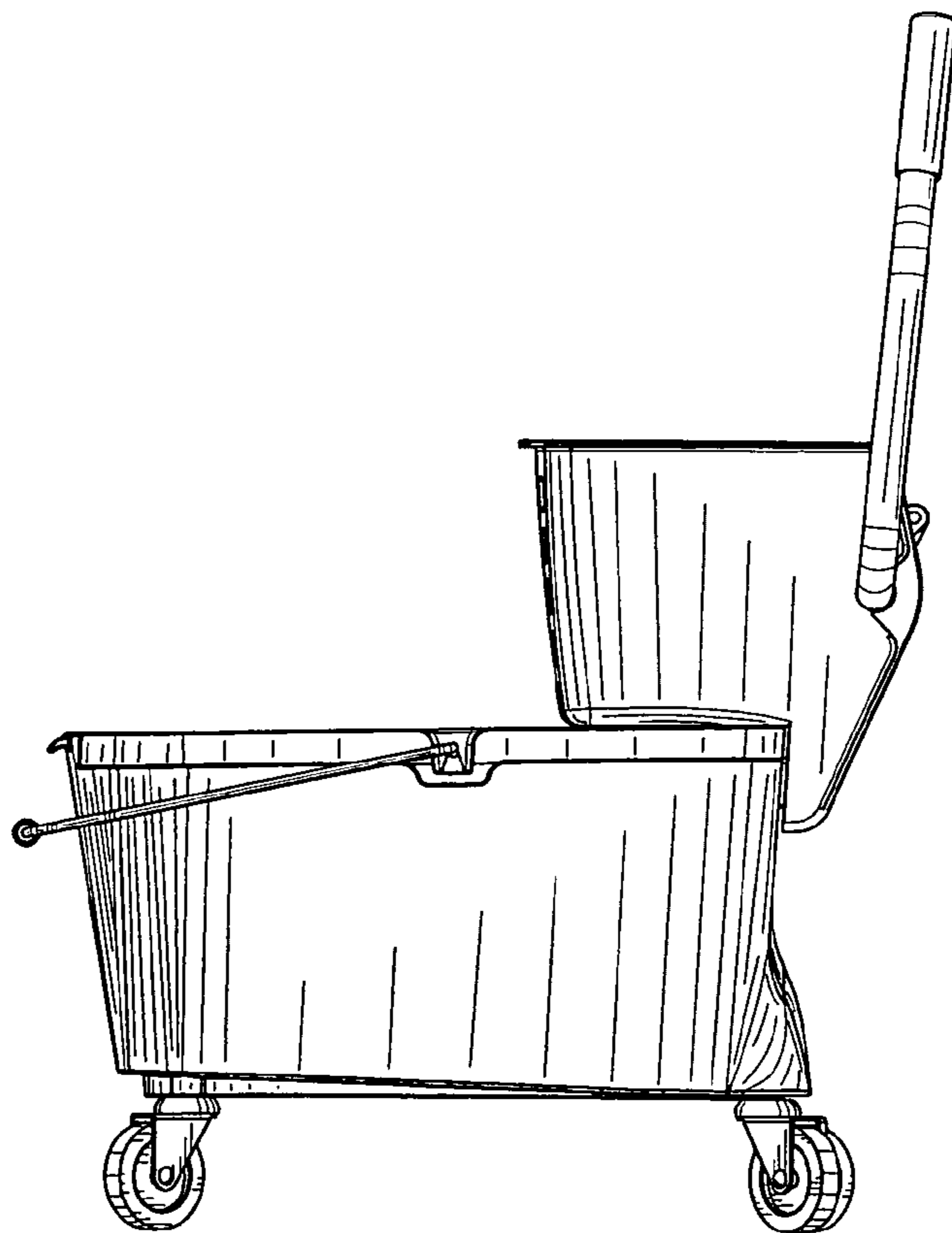


FIG. 4

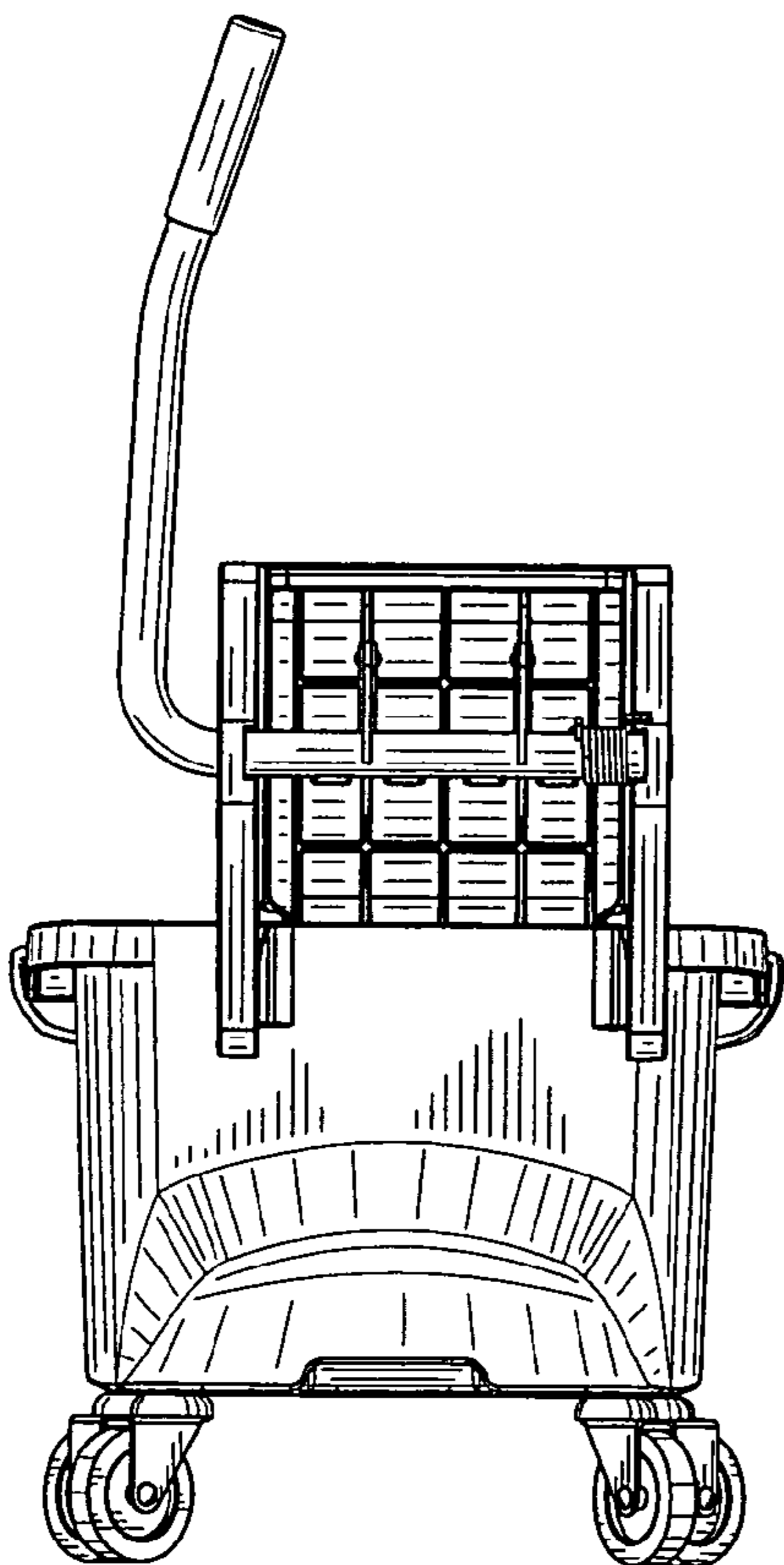
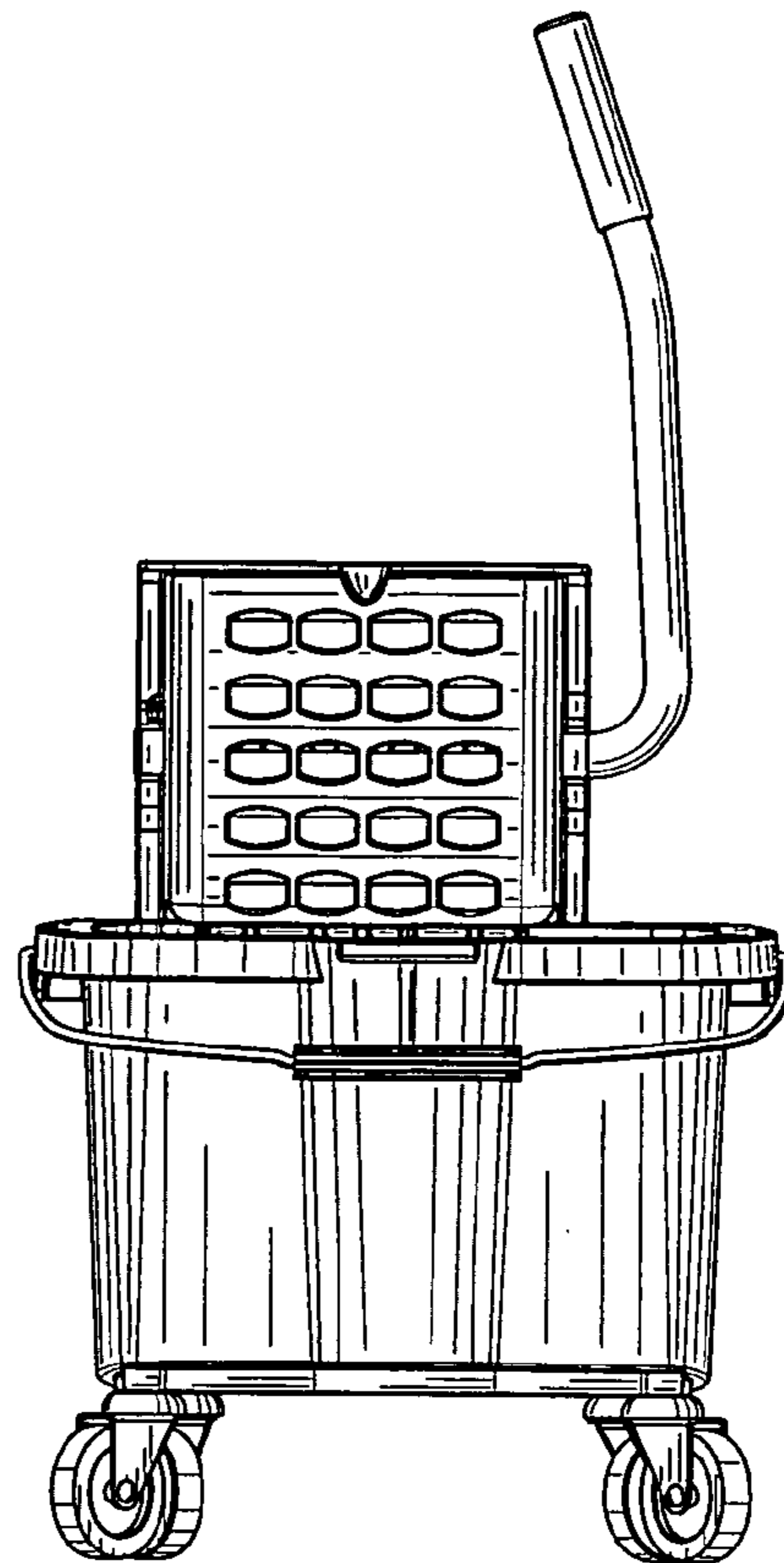


FIG. 5

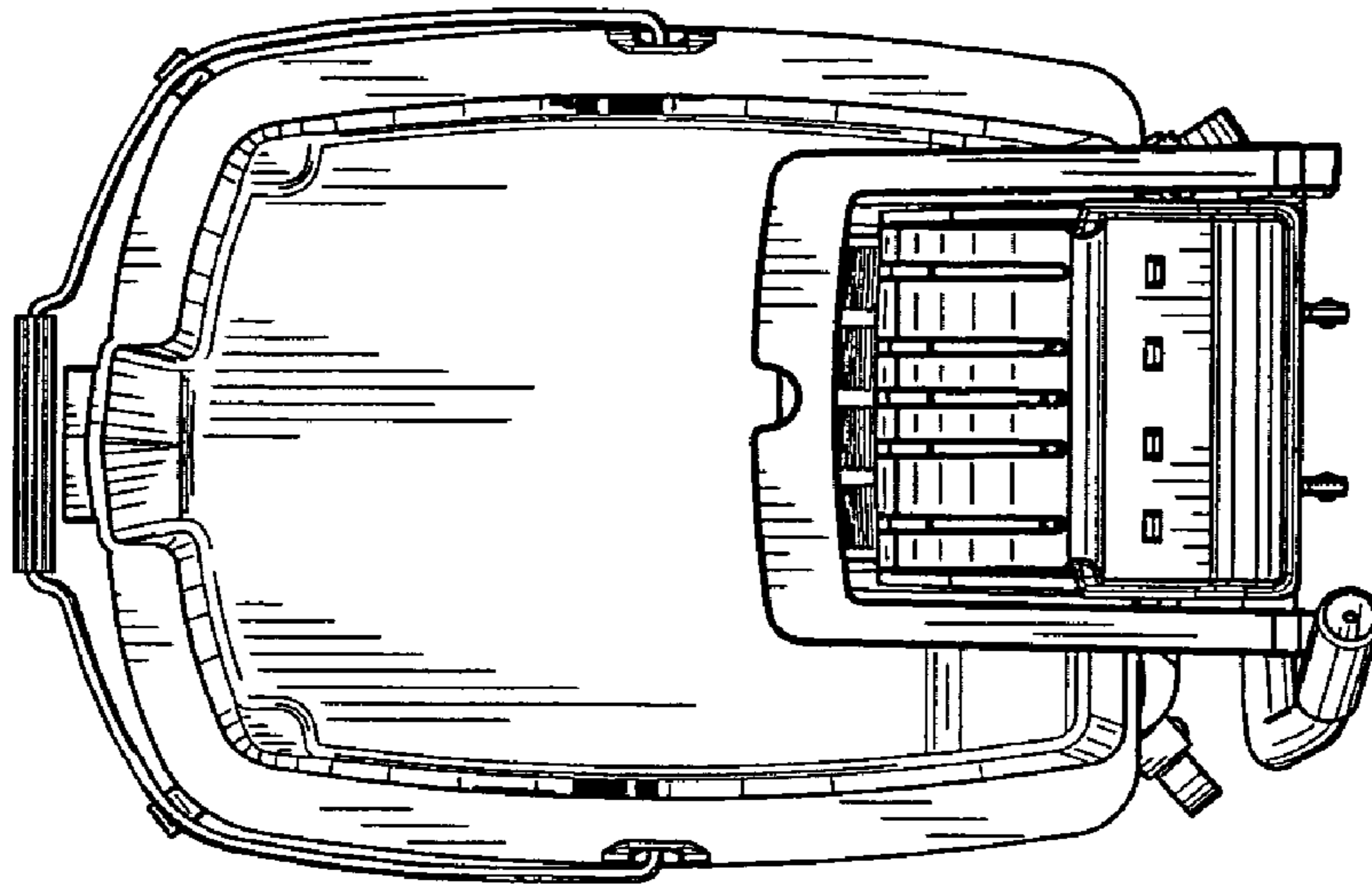


FIG. 6

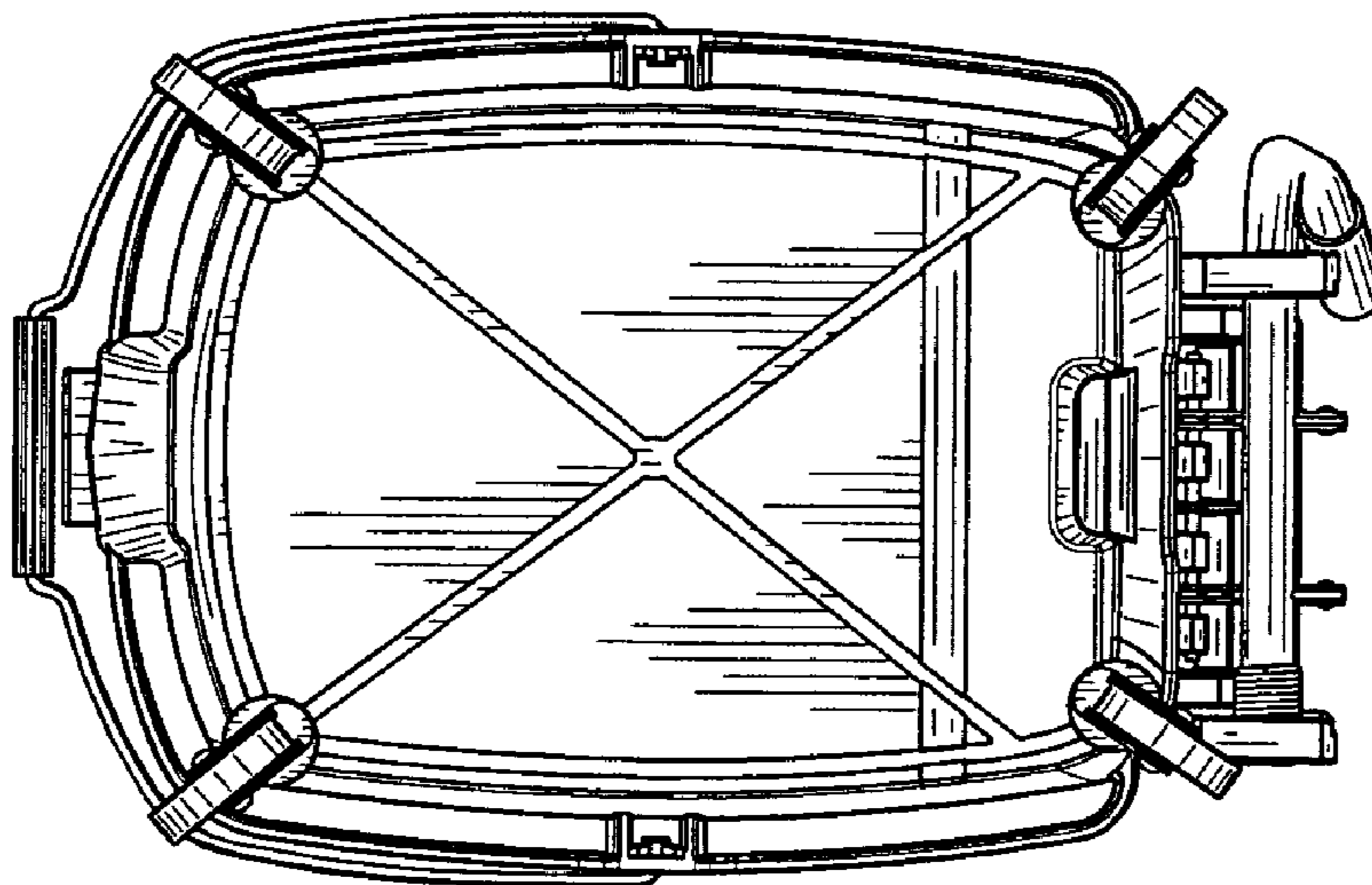


FIG. 7