



US00D550412S

(12) **United States Design Patent**  
**Khalil et al.**

(10) **Patent No.:** **US D550,412 S**  
(45) **Date of Patent:** **\*\* Sep. 4, 2007**

(54) **VACUUM CLEANER BASE**

(75) Inventors: **David Khalil**, Highland Hts., OH (US);  
**Jack W. Gee, II**, Willoughby, OH (US);  
**Robert Matousek**, Lakewood, OH  
(US); **Karim Rashid**, New York, NY  
(US); **Steve Cozzolino**, New York, NY  
(US)

(73) Assignee: **Royal Appliance Mfg. Co.**,  
Glenwillow, OH (US)

(\*\*) Term: **14 Years**

(21) Appl. No.: **29/261,039**

(22) Filed: **Jun. 6, 2006**

(51) **LOC (8) Cl.** ..... **15-05**

(52) **U.S. Cl.** ..... **D32/31**

(58) **Field of Classification Search** ..... D32/17,  
D32/18, 21-22, 31; 15/1.52, 1.7, 4, 329,  
15/339, 344, 347, 351, 353, 361, 410-412,  
15/414, DIG. 1; 55/DIG. 3; D13/107-109,  
D13/119; 320/115

See application file for complete search history.

(56) **References Cited**

**U.S. PATENT DOCUMENTS**

D303,856 S	*	10/1989	Yuen	.....	D32/18
D314,650 S	*	2/1991	Pudwill	.....	D32/18
5,362,311 A	*	11/1994	Amino et al.	.....	623/22
D401,021 S		11/1998	Stephens et al.		
D405,929 S		2/1999	Sovis et al.		
D443,960 S		6/2001	Shimko et al.		
D453,868 S		2/2002	Murphy et al.		
D456,102 S		4/2002	Murphy et al.		
D456,963 S		5/2002	Murphy et al.		

D467,048 S	*	12/2002	Masaki	.....	D32/17
D481,840 S	*	11/2003	Lammers et al.	.....	D32/18
D488,273 S		4/2004	Matousek et al.		

**OTHER PUBLICATIONS**

Bissell To Go. [online]. Dec. 12, 2005. [Retrieved from the Internet on Apr. 23, 2007] <<http://www.discountvacuums.com/bissell.html>>.\*

Dirt Devil Kone Cordless Hand Vac. [online]. [Retrieved from the Internet on Apr. 23, 2007]. <[http://www.sharperimage.com/us/en/catalog/product/sku\\_ME703](http://www.sharperimage.com/us/en/catalog/product/sku_ME703)>.\*

\* cited by examiner

*Primary Examiner*—Ruth McInroy

(74) *Attorney, Agent, or Firm*—Fay Sharpe LLP

(57) **CLAIM**

The ornamental design for a vacuum cleaner base, as shown and described.

**DESCRIPTION**

FIG. 1 is a perspective view of a vacuum cleaner base illustrating our new design;

FIG. 2 is a front elevational view thereof;

FIG. 3 is a right side elevational view thereof, with a left side elevational view being a mirror image thereof;

FIG. 4 is a rear elevational view thereof;

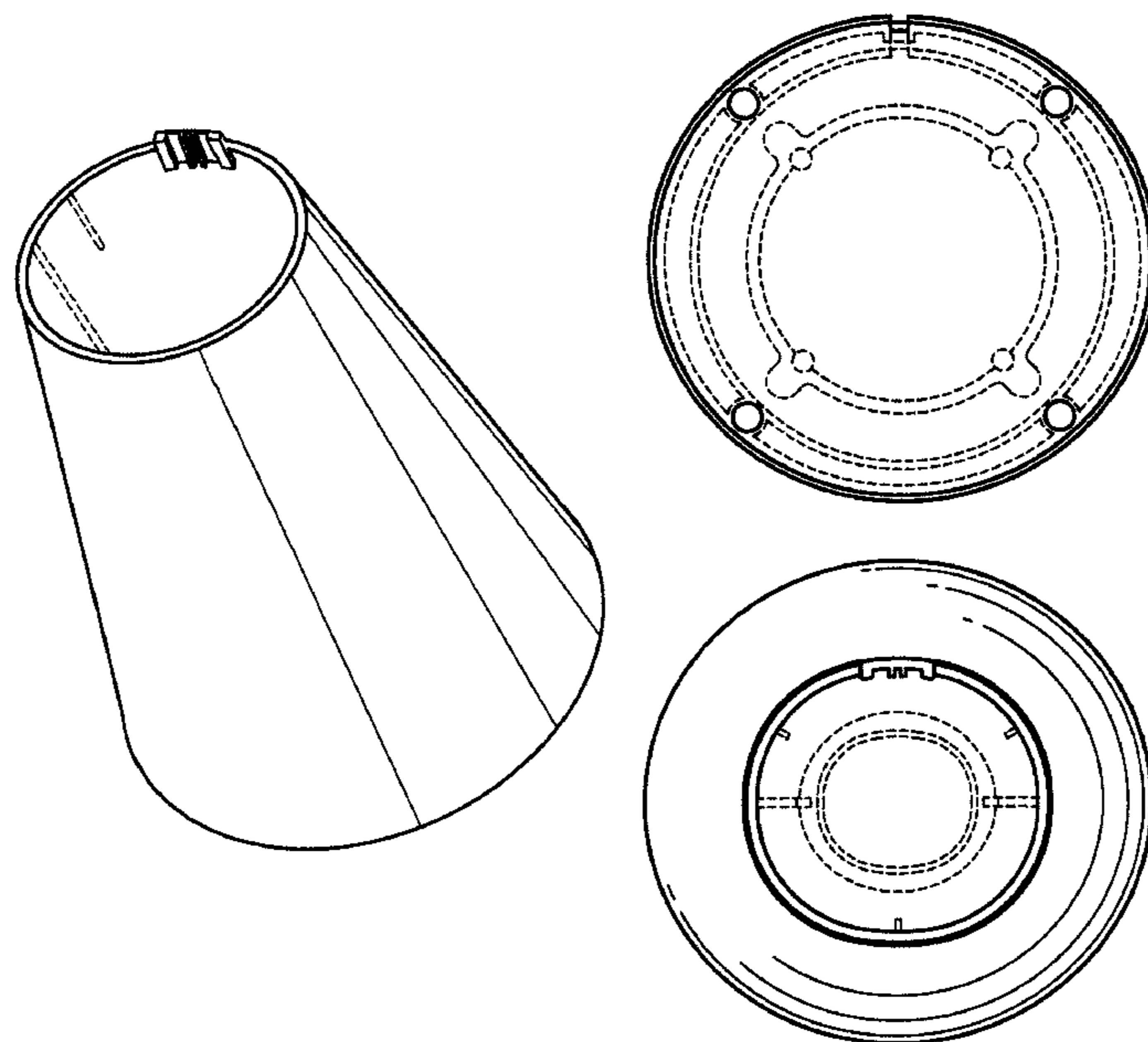
FIG. 5 is a bottom plan view thereof;

FIG. 6 is a top plan view thereof; and,

FIG. 7 is a perspective view thereof in conjunction with a vacuum cleaner supported by the base.

The parts illustrated in dashed lines in FIGS. 1, 5, 6 and 7 form no part of the claimed design.

**1 Claim, 3 Drawing Sheets**



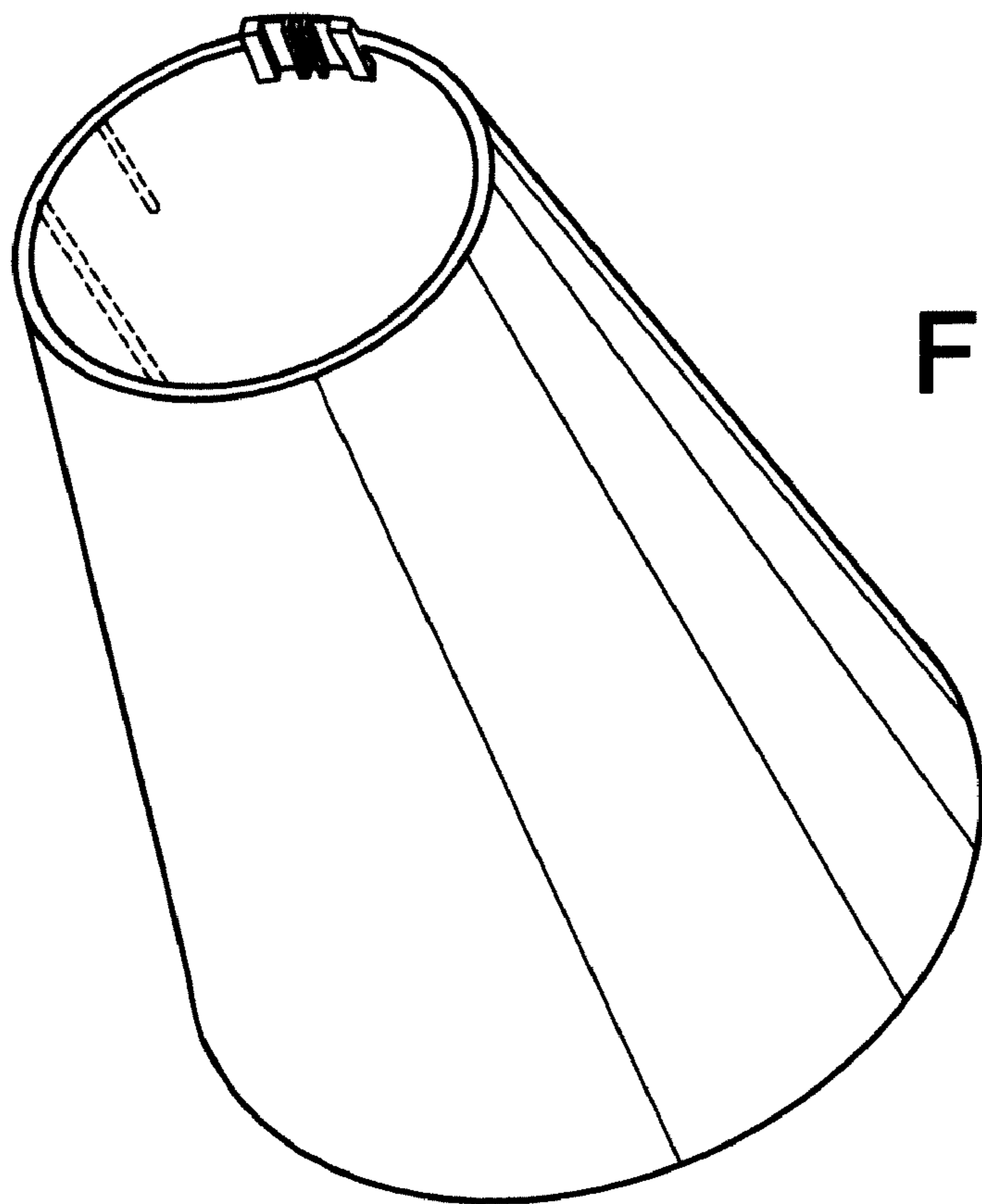


FIG. 1

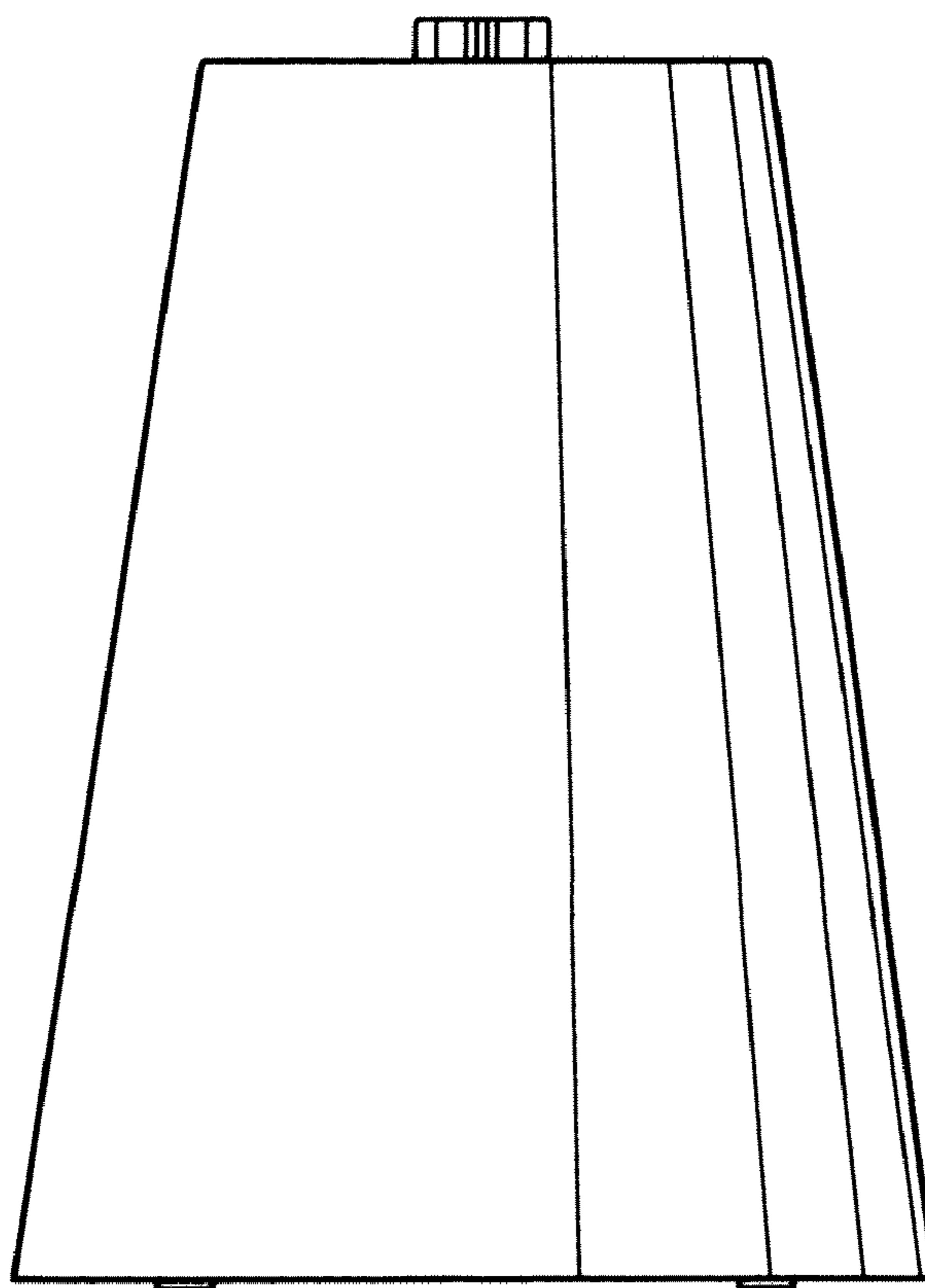
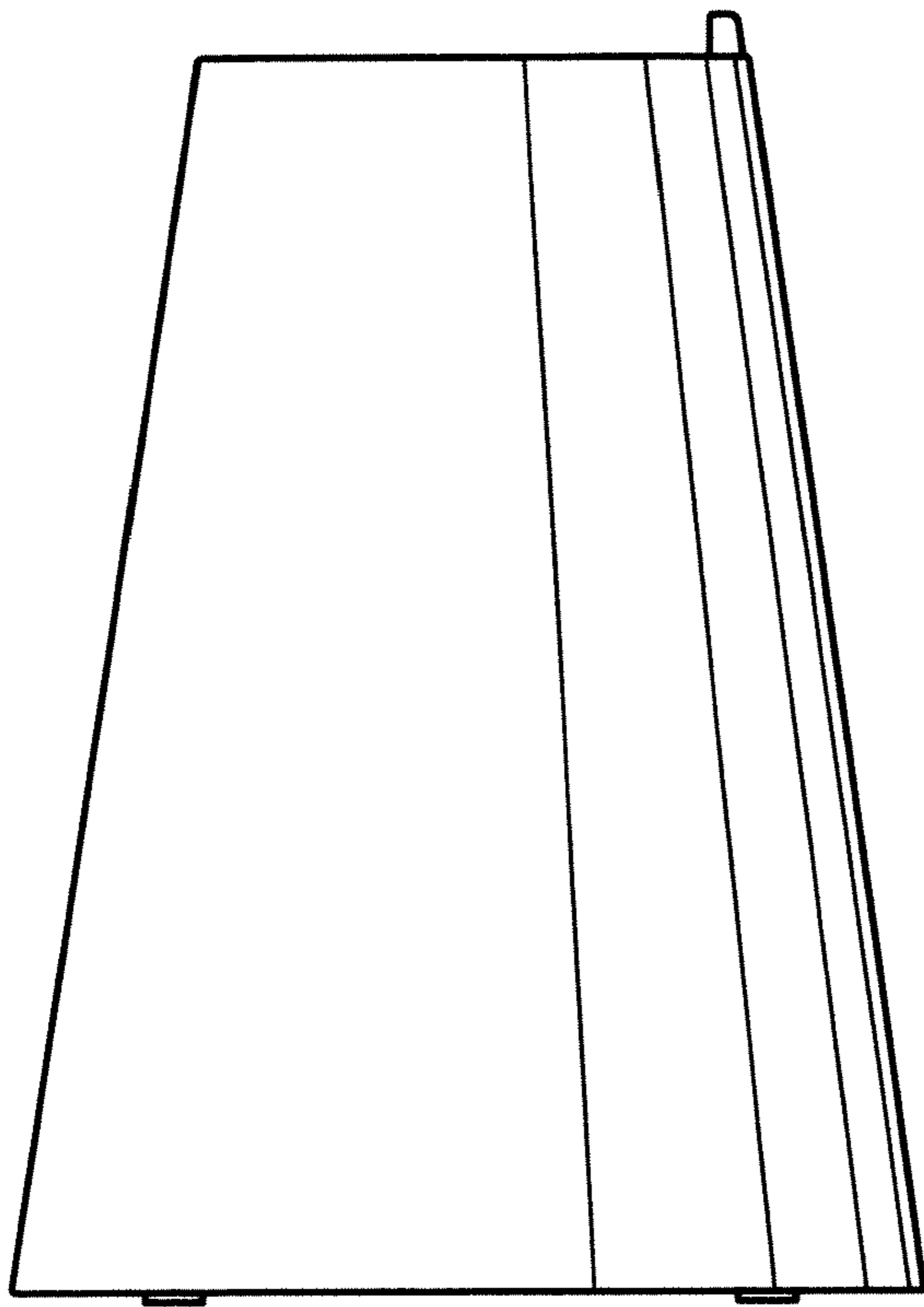
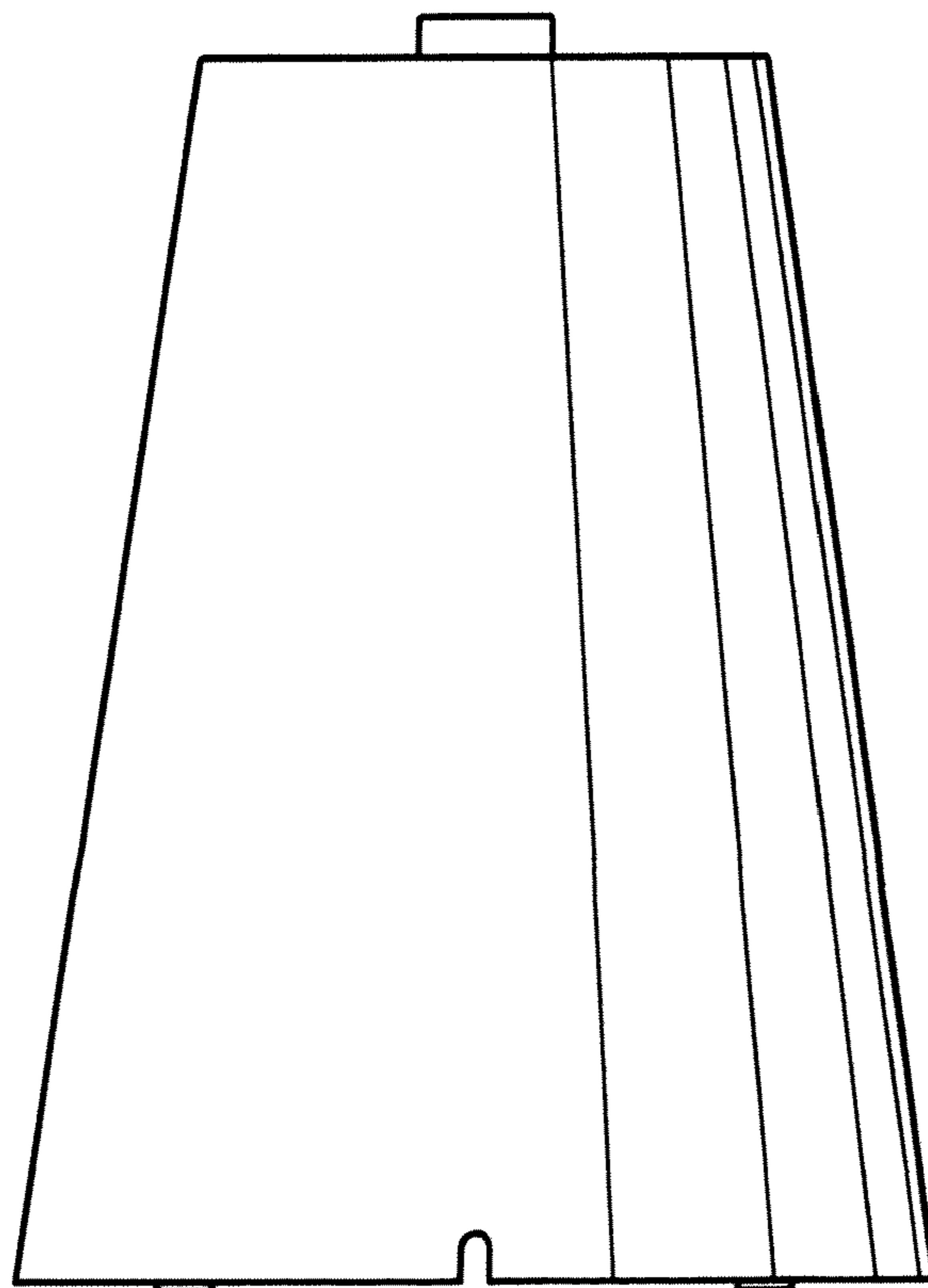


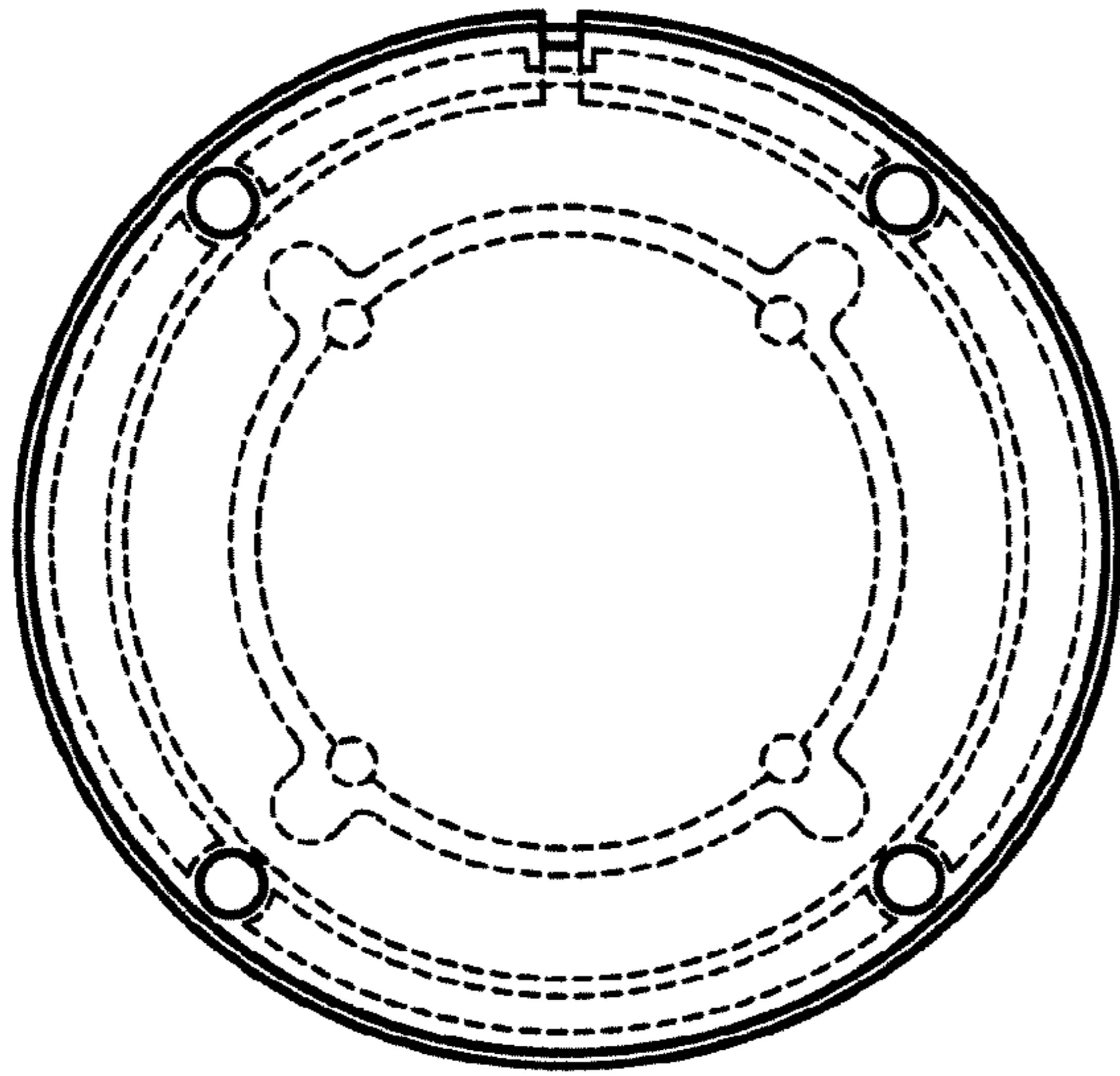
FIG. 2



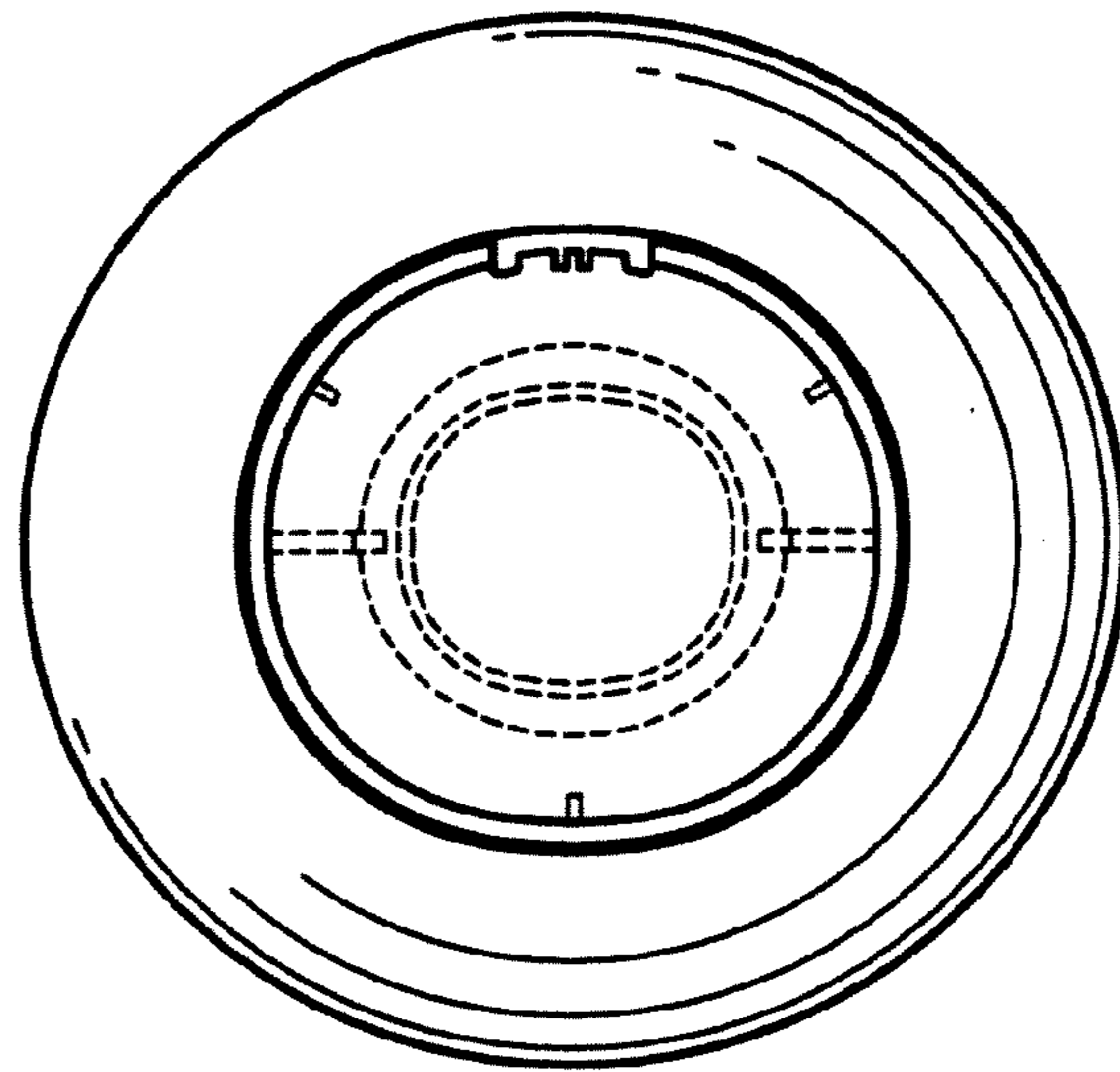
**FIG. 3**



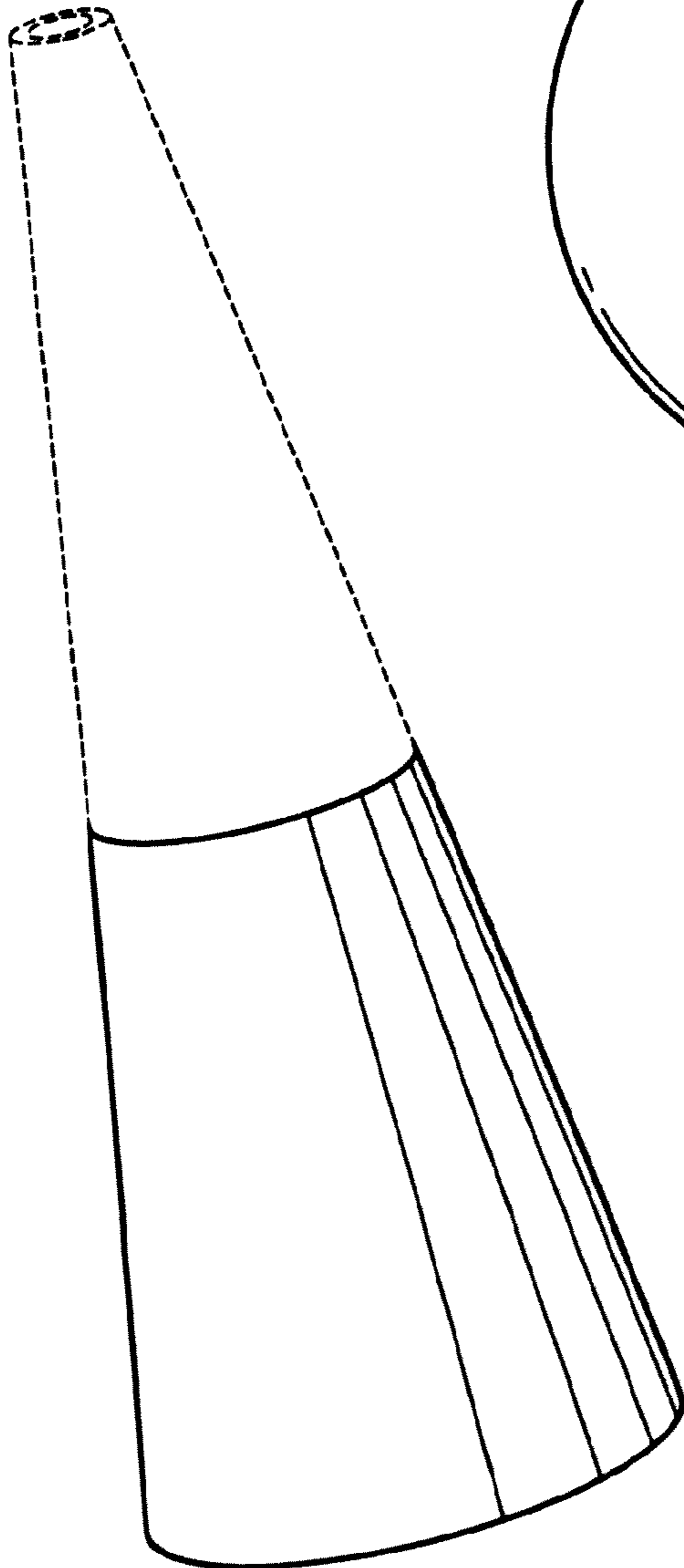
**FIG. 4**



**FIG. 5**



**FIG. 6**



**FIG. 7**