



US00D550399S

(12) **United States Design Patent** (10) **Patent No.:** **US D550,399 S**  
**Lee** (45) **Date of Patent:** **\*\* Sep. 4, 2007**

(54) **HAIR BAND**

(76) Inventor: **Chung-Hoon Lee**, 24 Marbourne Dr.,  
Mamaroneck, NY (US) 10543

(\*\*) Term: **14 Years**

(21) Appl. No.: **29/215,217**

(22) Filed: **Oct. 15, 2004**

(51) **LOC (8) Cl.** ..... **28-03**

(52) **U.S. Cl.** ..... **D28/41**

(58) **Field of Classification Search** ..... D28/25,  
D28/32, 33, 39, 40, 41, 43; D2/865; D11/184,  
D11/202; 132/101, 126, 128, 129, 130, 131,  
132/144, 148, 219, 273–284; 428/4, 5  
See application file for complete search history.

(56) **References Cited**

**U.S. PATENT DOCUMENTS**

409,001	A	*	8/1889	Ashworth	.....	2/338
536,965	A	*	4/1895	Neuberger	.....	403/283
D415,314	S	*	10/1999	Maturaporn	.....	D28/41
D422,379	S	*	4/2000	Maturaporn	.....	D28/41
D502,571	S	*	3/2005	Croes-Stoffer	.....	D28/41

**OTHER PUBLICATIONS**

Hong Kong Enterprise, Jun. 1999, p. 422, 'hair bands'  
located in the center of page.\*

Hong Kong Enterprise, Jun. 1999, p. 423, hair bands in  
packages—E1/522AX24P, E13/HS208X8P, E3/522AX18P,  
located on the bottom row on the right side.\*

\* cited by examiner

*Primary Examiner*—Caron D. Veynar

*Assistant Examiner*—Zenia I. Bennett

(57) **CLAIM**

The ornamental design for a hair band, as shown and  
described.

**DESCRIPTION**

FIG. 1 is a perspective view of a hairband showing my new  
design;

FIG. 2 is a perspective view of a second embodiment;

FIG. 3 is a perspective view of a third embodiment;

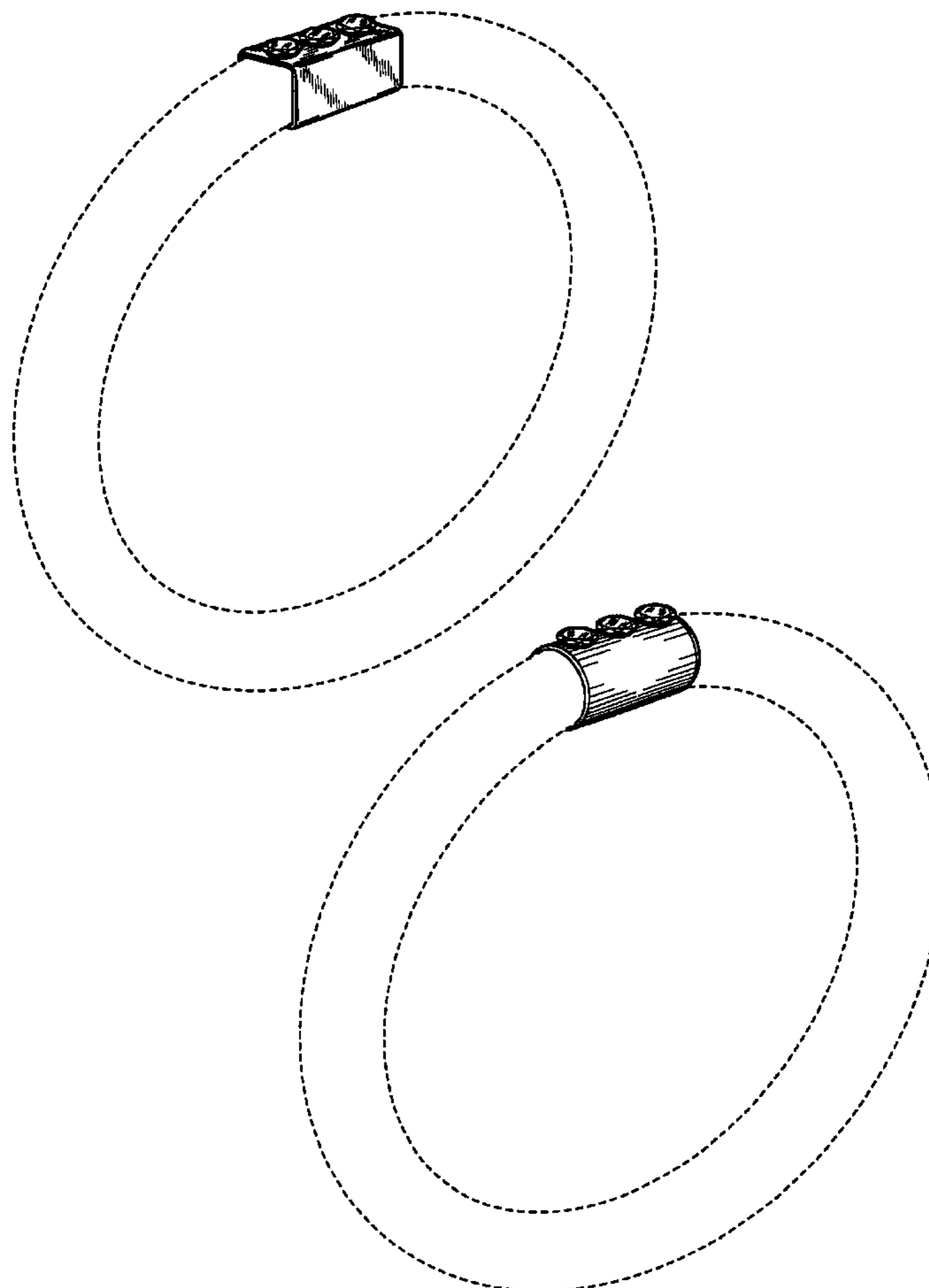
FIG. 4 is a perspective view of a fourth embodiment;

FIG. 5 is a perspective view of a fifth embodiment; and,

FIG. 6 is a perspective view of a sixth embodiment.

The broken lines in the drawing are for illustrative purposes  
only and form no part of the claimed design.

**1 Claim, 3 Drawing Sheets**



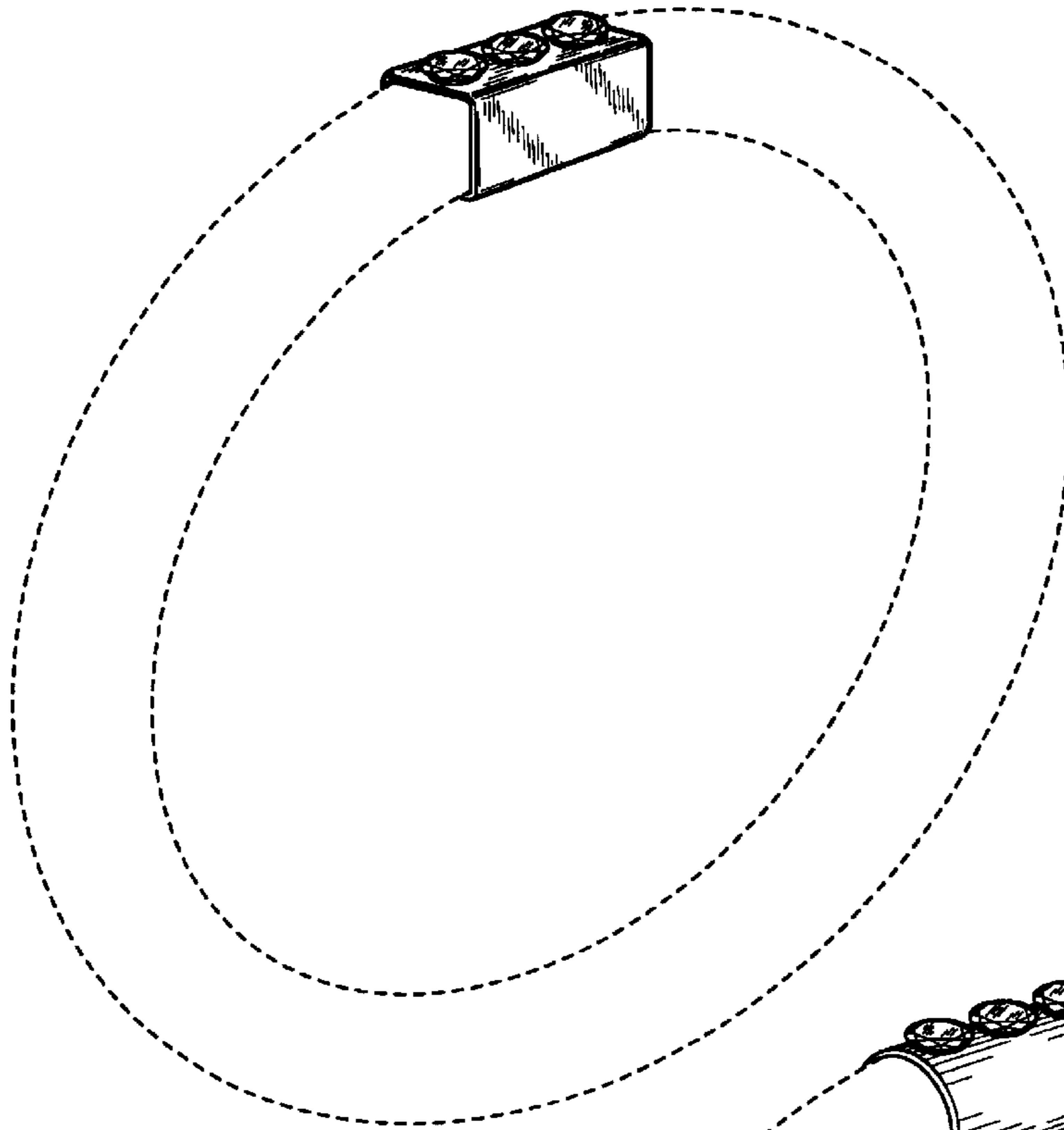


FIG. 1

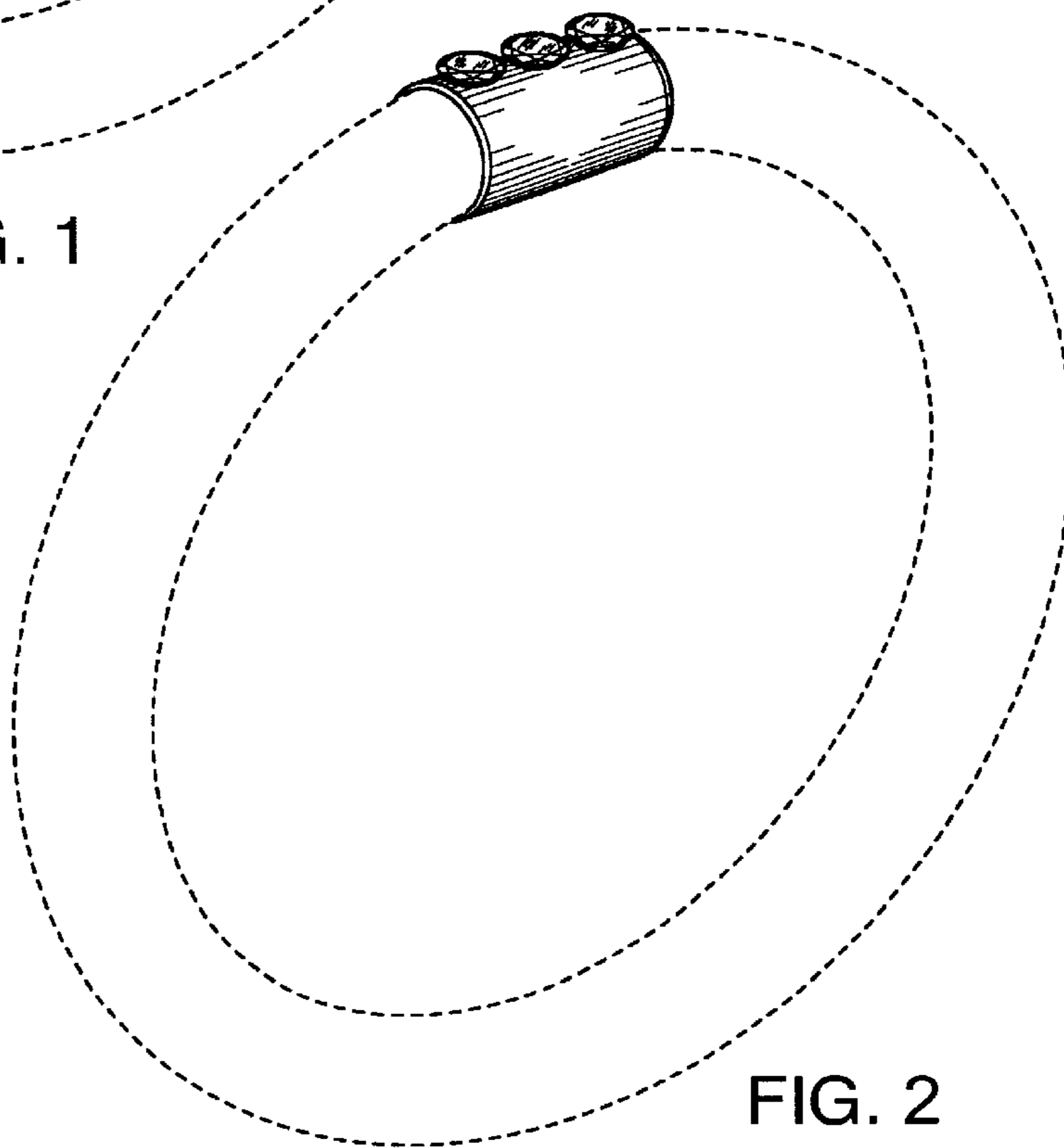


FIG. 2

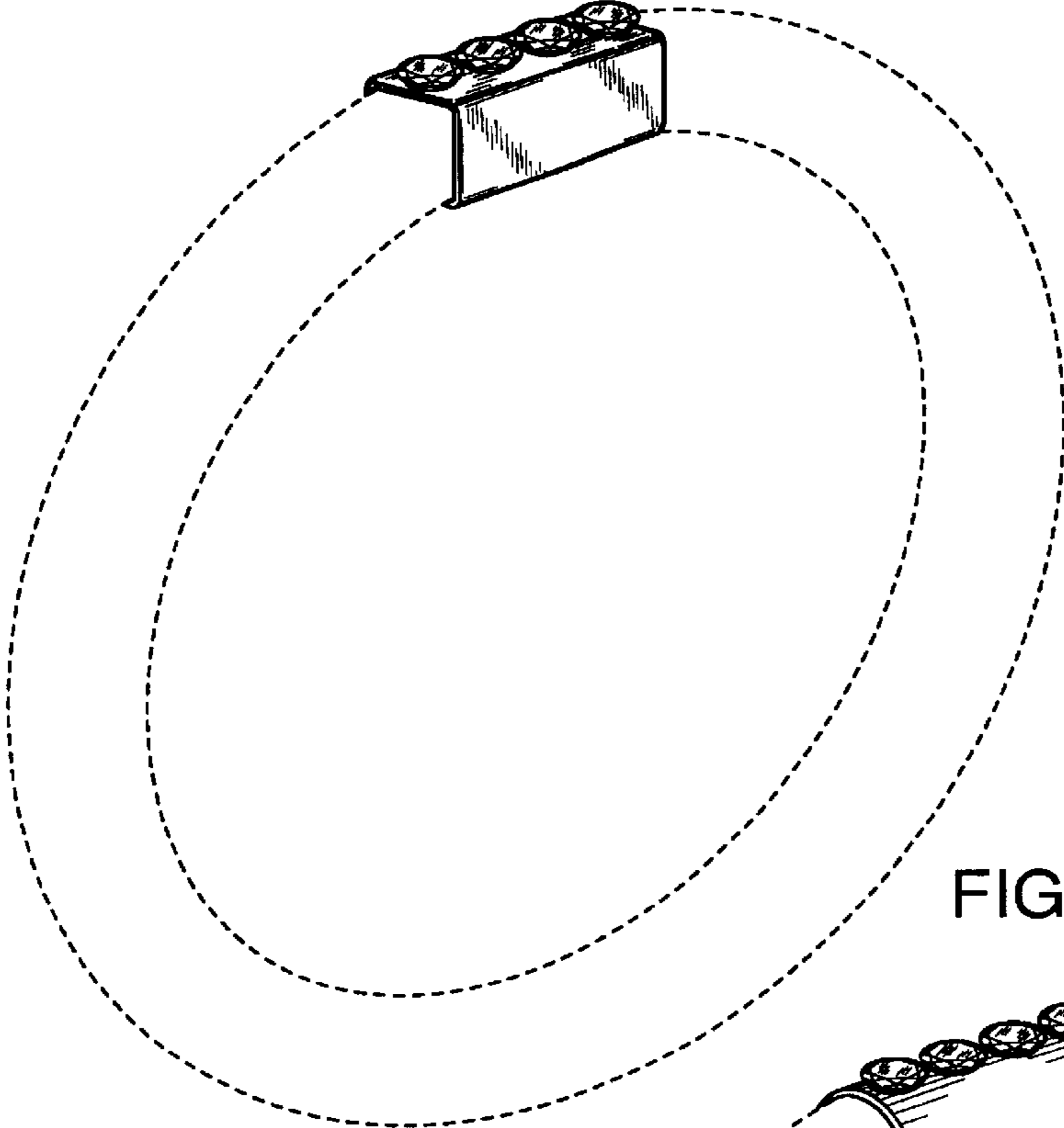


FIG. 3

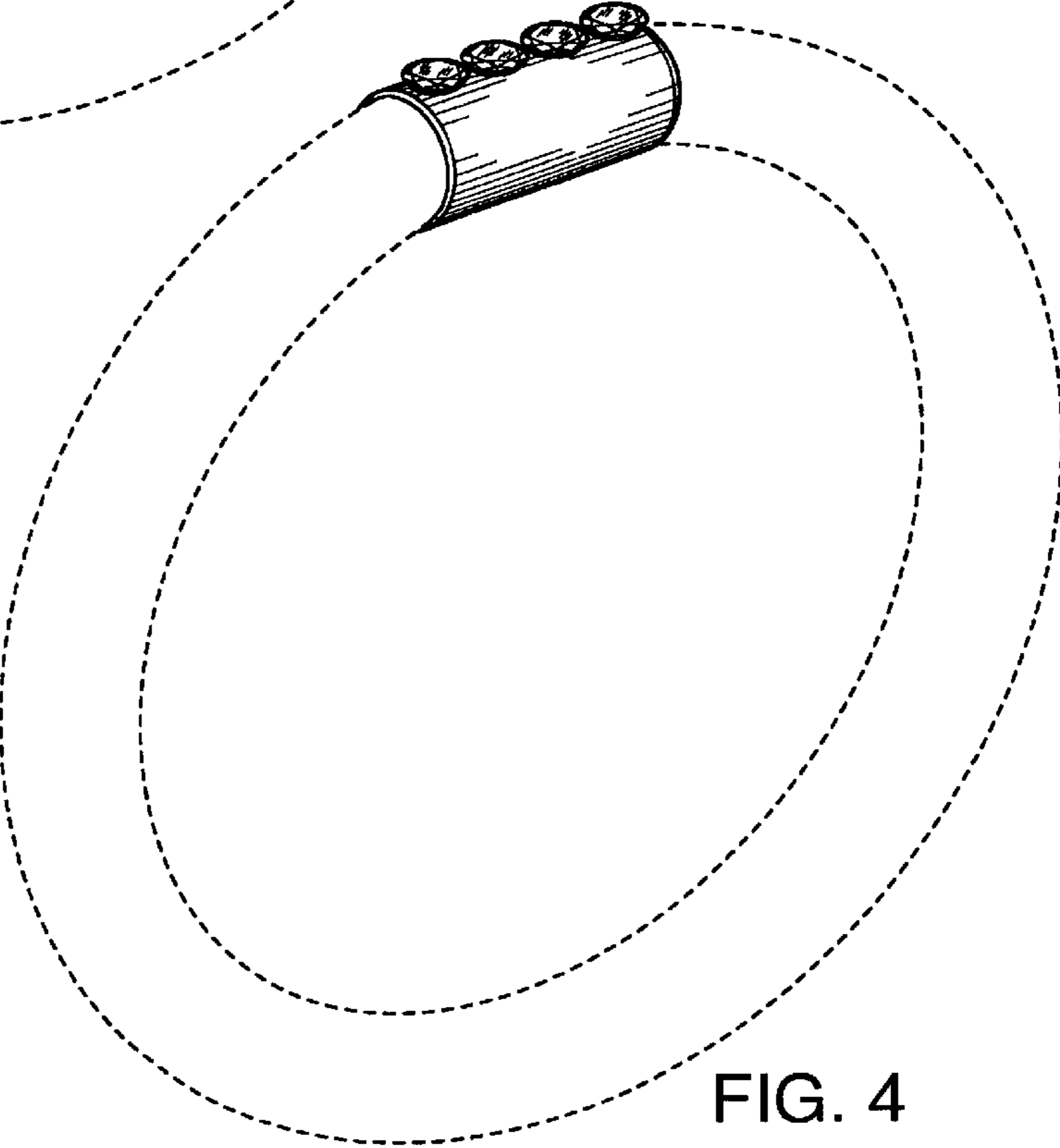


FIG. 4

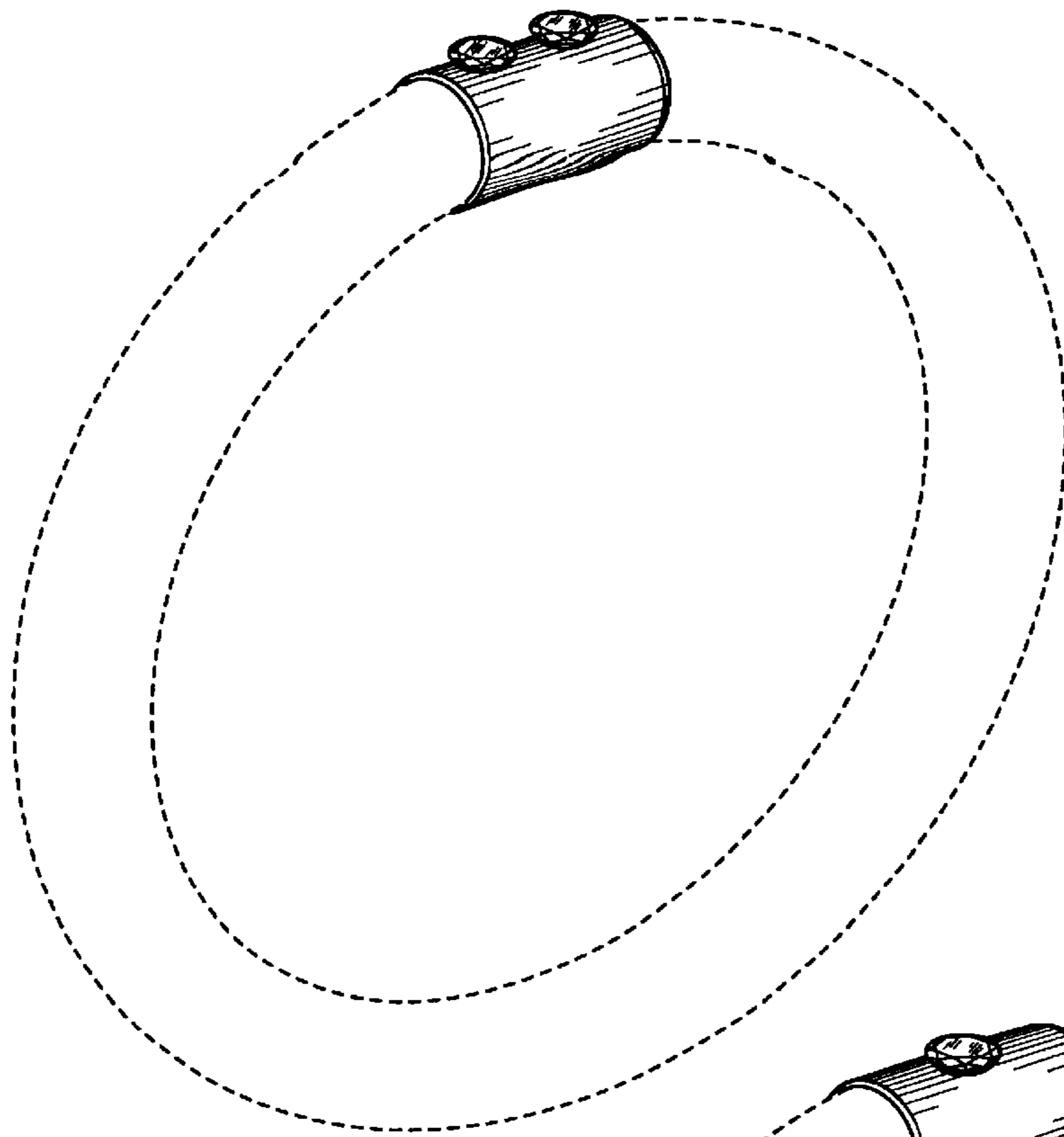


FIG. 5

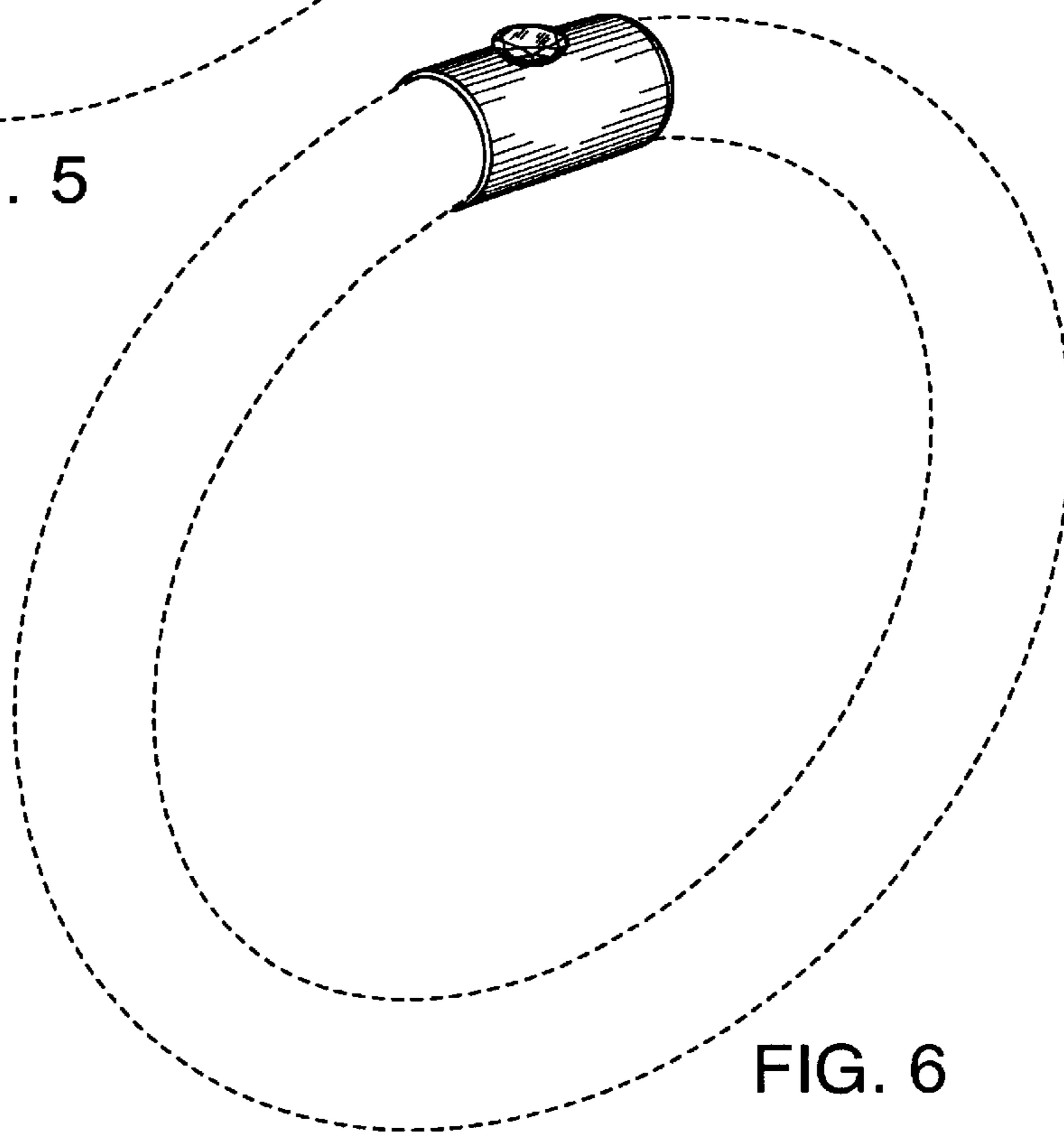


FIG. 6