

US00D550388S

(12) **United States Design Patent**  
**Binsukor**

(10) **Patent No.:** **US D550,388 S**

(45) **Date of Patent:** **\*\* Sep. 4, 2007**

(54) **LUMINAIRE**

D500,569 S \* 1/2005 Butler ..... D26/71  
D502,283 S \* 2/2005 Haugaard et al. .... D26/118

(75) Inventor: **Winsoot Binsukor**, Samutprakarn (TH)

**OTHER PUBLICATIONS**

(73) Assignee: **WE-EF Lighting USA, Inc.**,  
Sewickley, PA (US)

“Taiwan Lighting” magazine; No. 69; published Jul. 2002;  
p. 103; Taiwan.

(\*\*) Term: **14 Years**

\* cited by examiner

(21) Appl. No.: **29/205,570**

*Primary Examiner*—Clare E Heflin

(22) Filed: **May 17, 2004**

(74) *Attorney, Agent, or Firm*—The Webb Law Firm

(30) **Foreign Application Priority Data**

(57) **CLAIM**

Dec. 22, 2003 (DE) ..... 4 03 08 172

The ornamental design for a luminaire, as shown.

(51) **LOC (8) Cl.** ..... **26-05**

**DESCRIPTION**

(52) **U.S. Cl.** ..... **D26/67**; D26/71

(58) **Field of Classification Search** ..... D26/67–71,

D26/72, 74; 362/153, 153.1, 147, 431

See application file for complete search history.

FIG. 1 is a top perspective view of a luminaire showing my  
new design;

FIG. 2 is a bottom perspective view thereof;

FIG. 3 is a top plan view thereof;

FIG. 4 is a left side elevational view thereof;

FIG. 5 is a front elevational view thereof;

FIG. 6 is a rear elevational view thereof;

FIG. 7 is a right side elevational view thereof; and,

FIG. 8 is a bottom plan view thereof.

The broken lines shown on the drawings are for illustrative  
purposes only and form no part of the claimed design.

(56) **References Cited**

**U.S. PATENT DOCUMENTS**

D209,081 S \* 10/1967 Netland ..... D26/71

5,386,354 A \* 1/1995 Osteen ..... 362/258

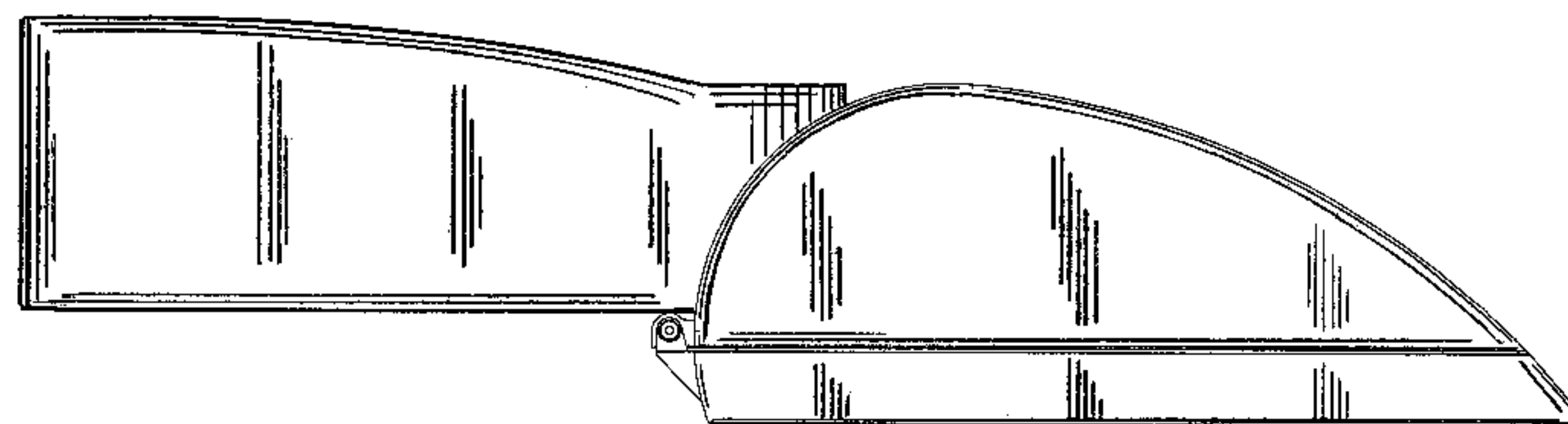
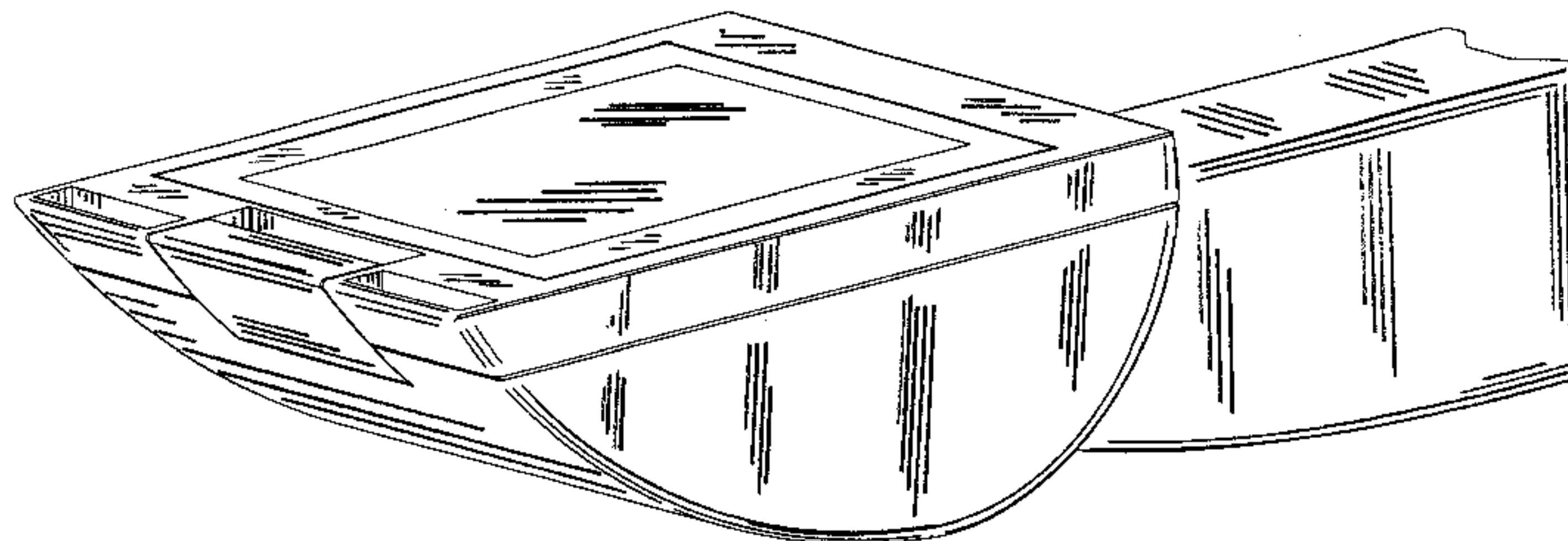
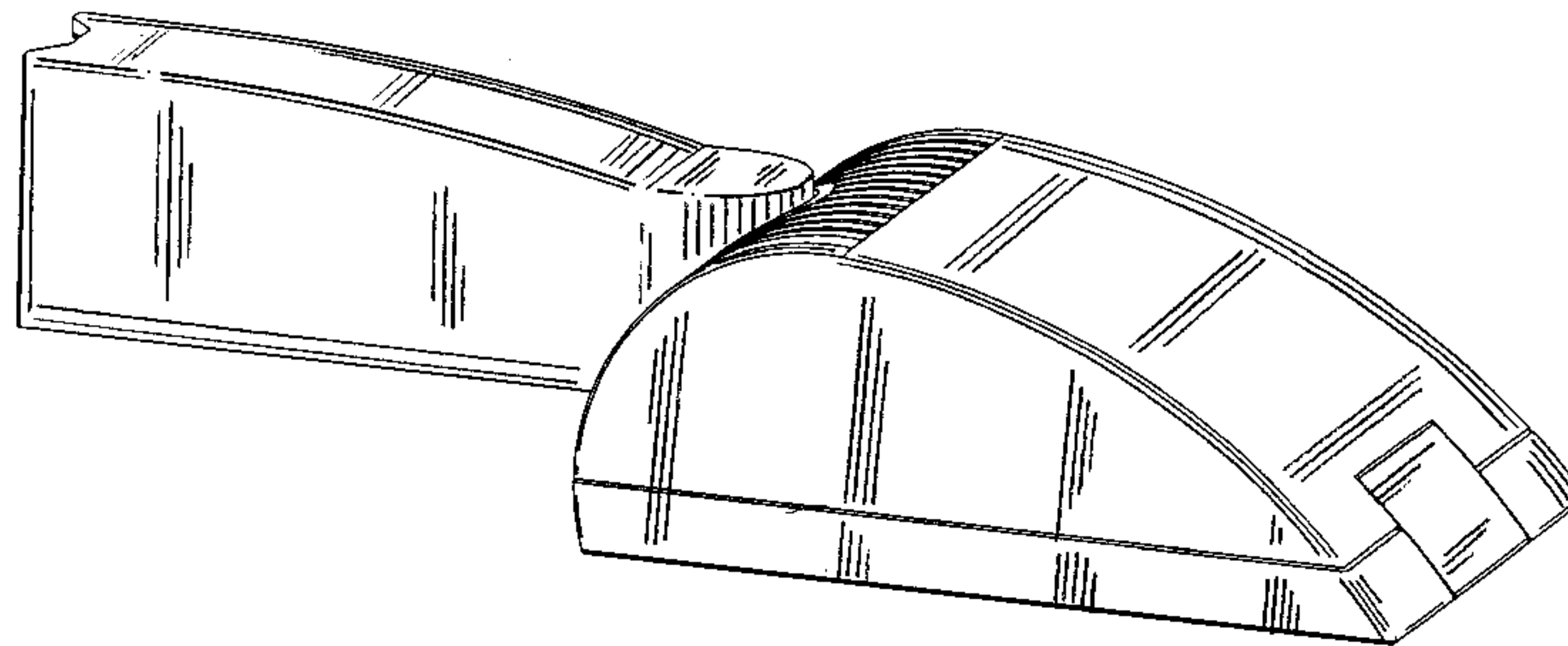
D417,303 S \* 11/1999 Rahn ..... D26/67

D437,958 S \* 2/2001 Doron et al. .... D26/71

D447,590 S \* 9/2001 Raouf et al. .... D26/71

D456,926 S \* 5/2002 Gaskins et al. .... D26/71

**1 Claim, 8 Drawing Sheets**



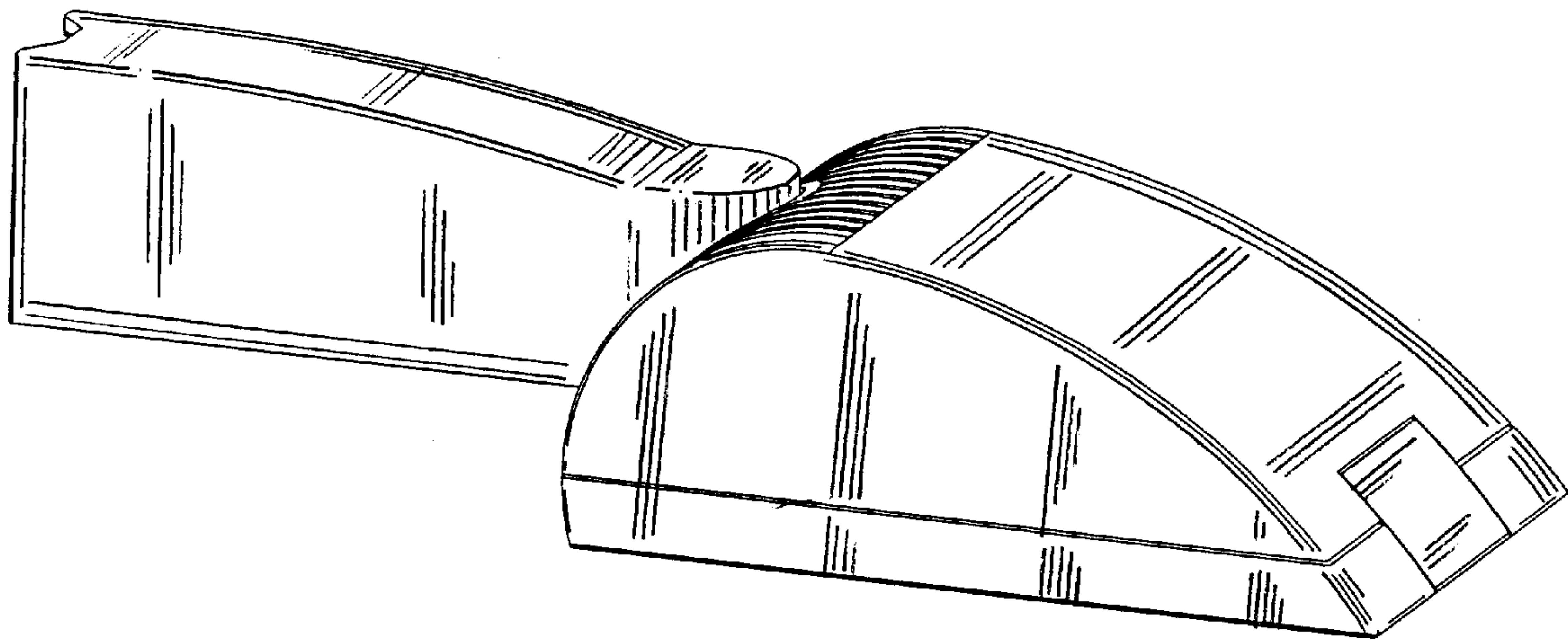


FIG. 1

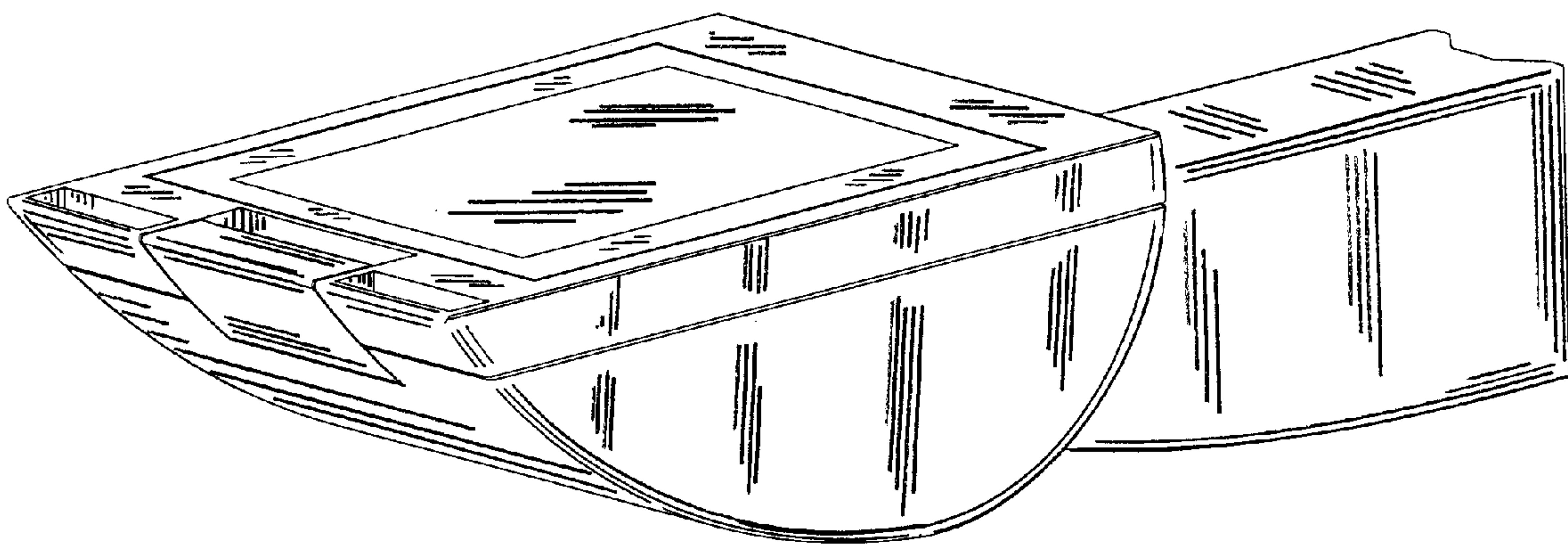


FIG. 2

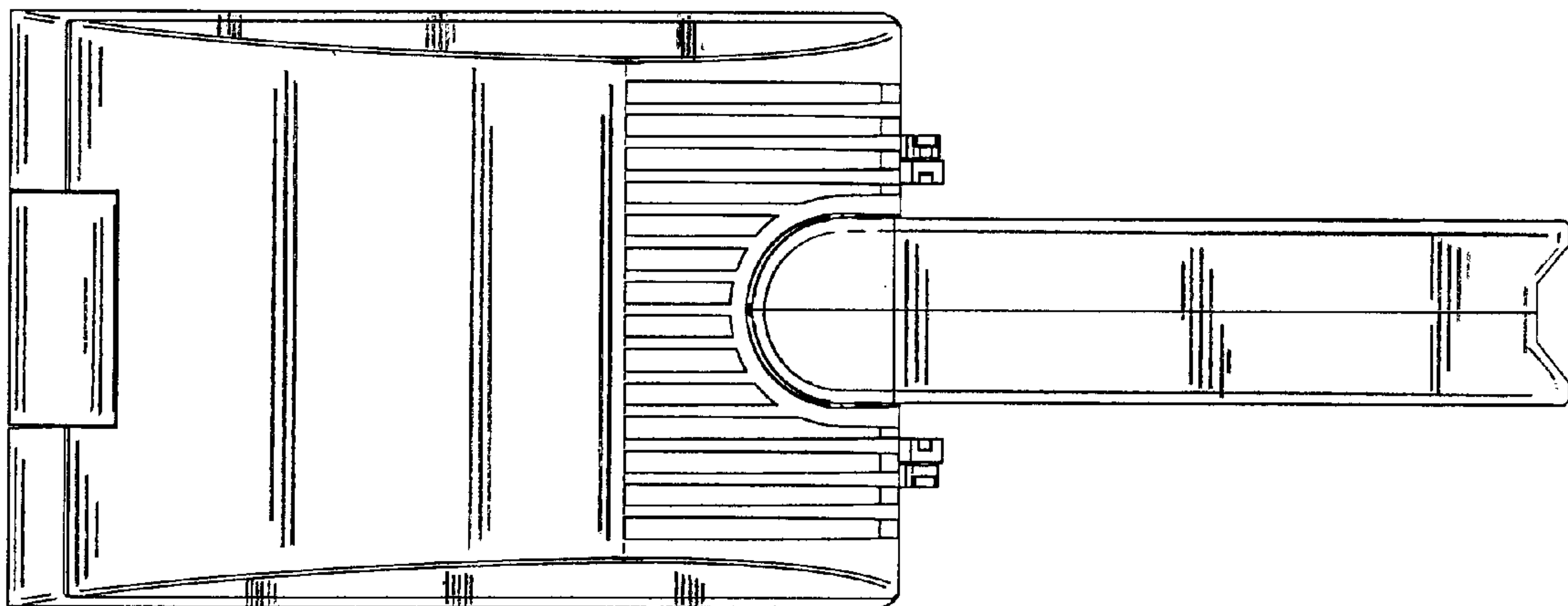


FIG. 3

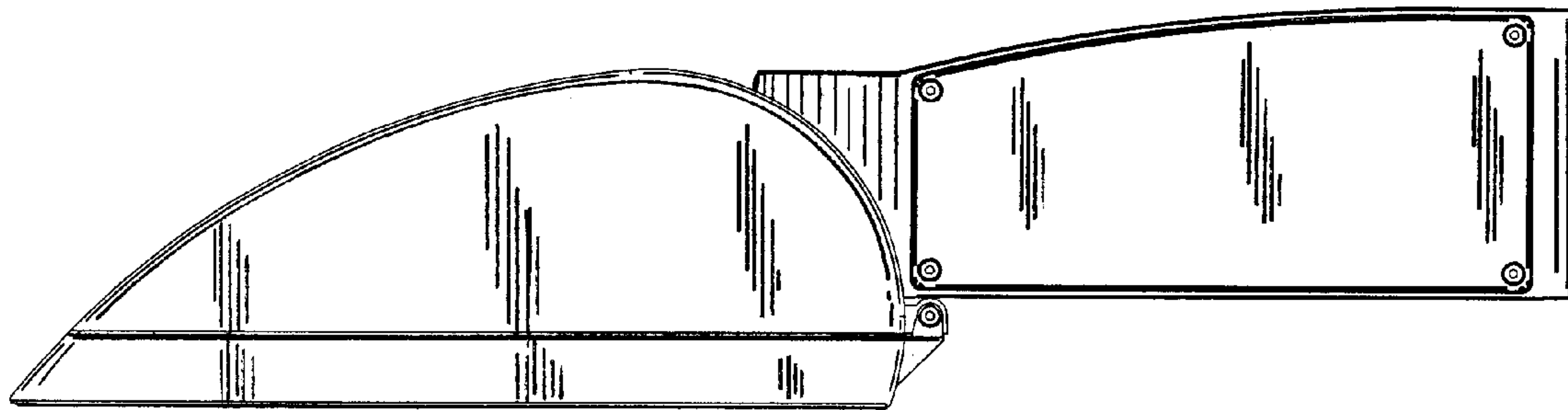
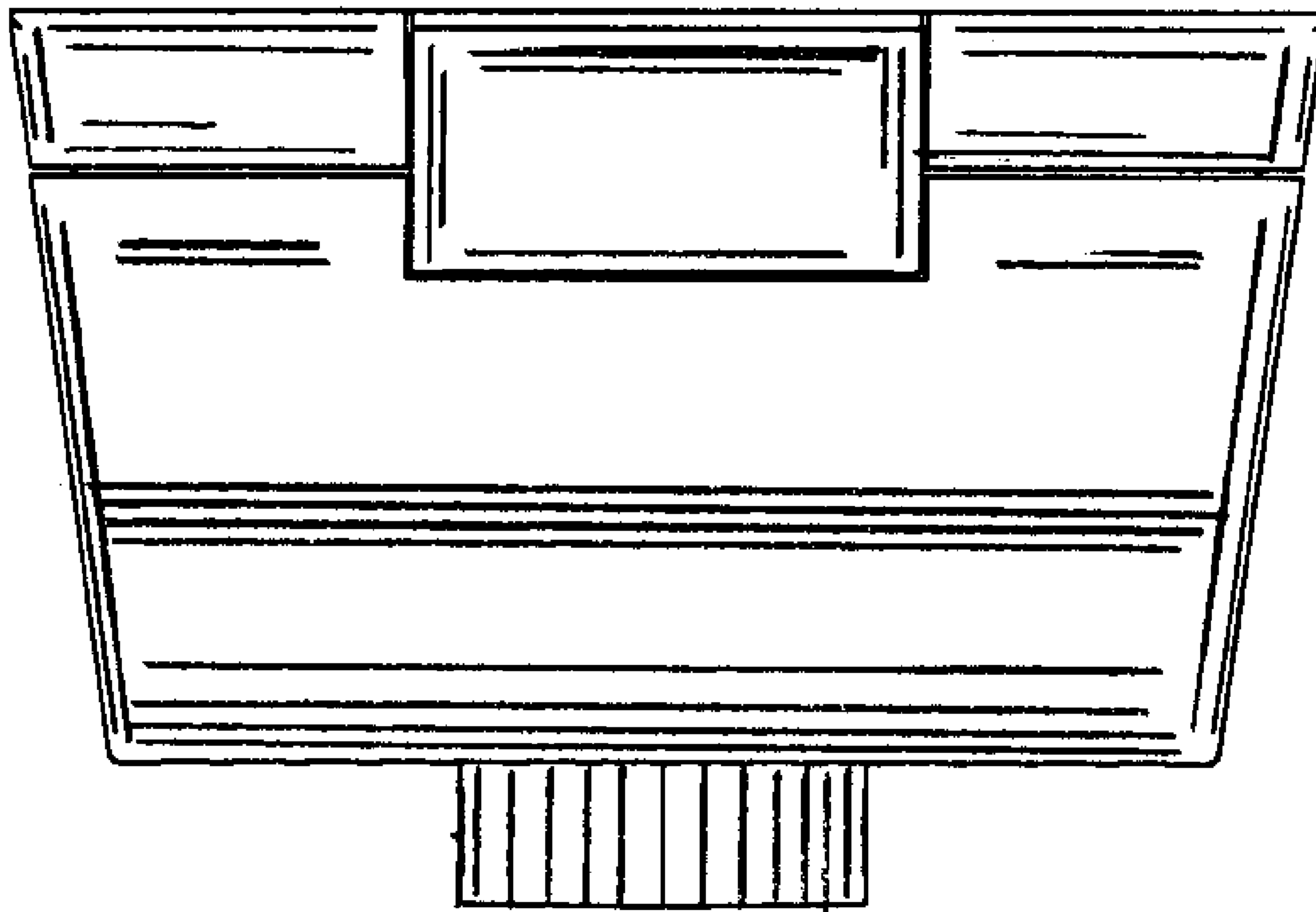


FIG. 4



**FIG. 5**

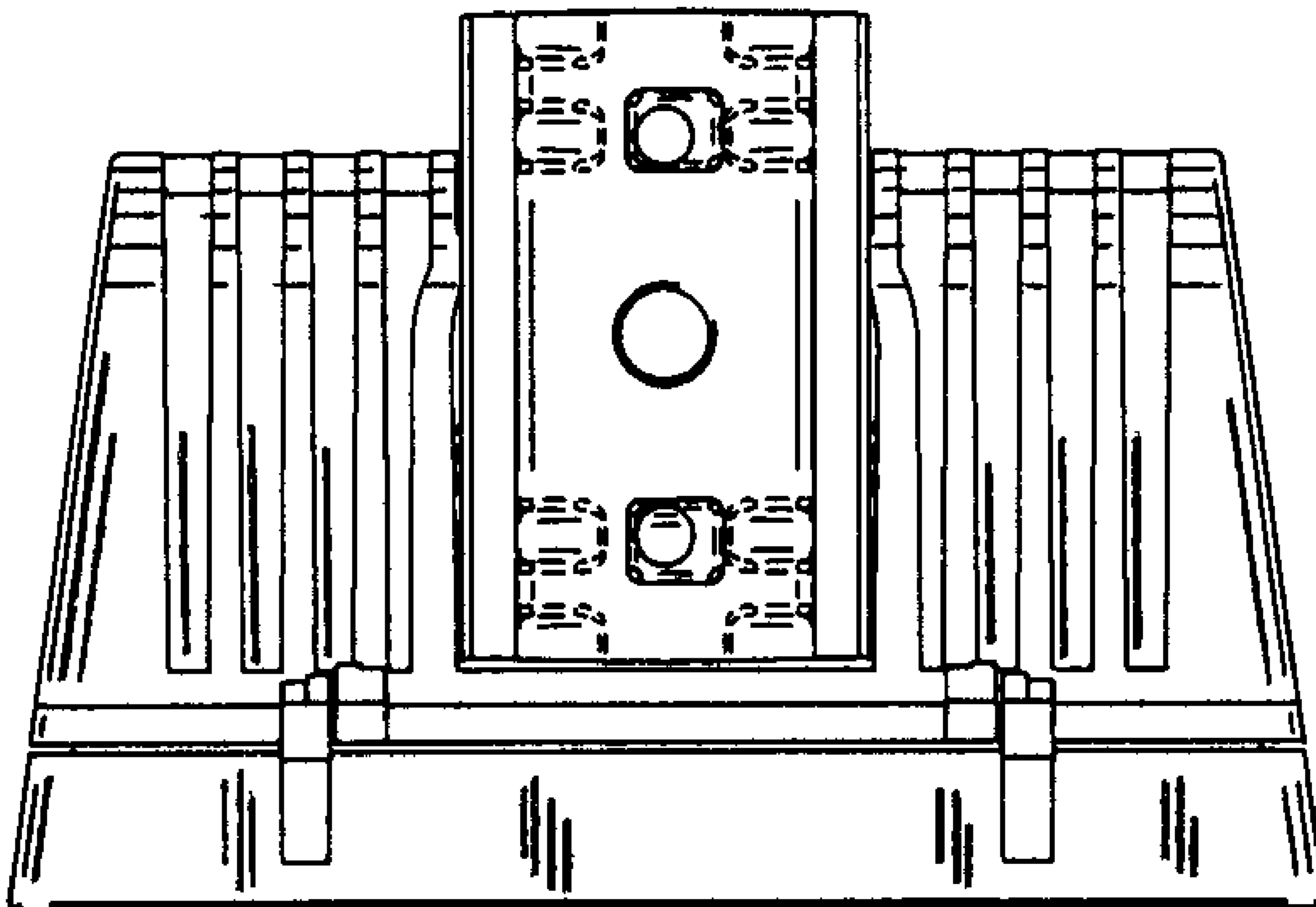


FIG. 6

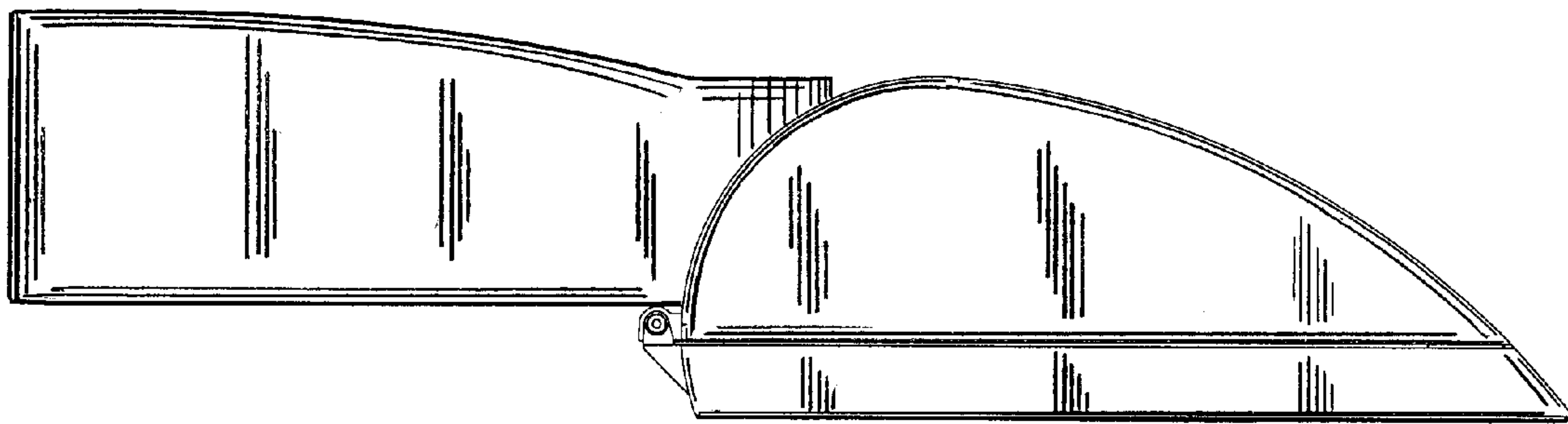


FIG. 7



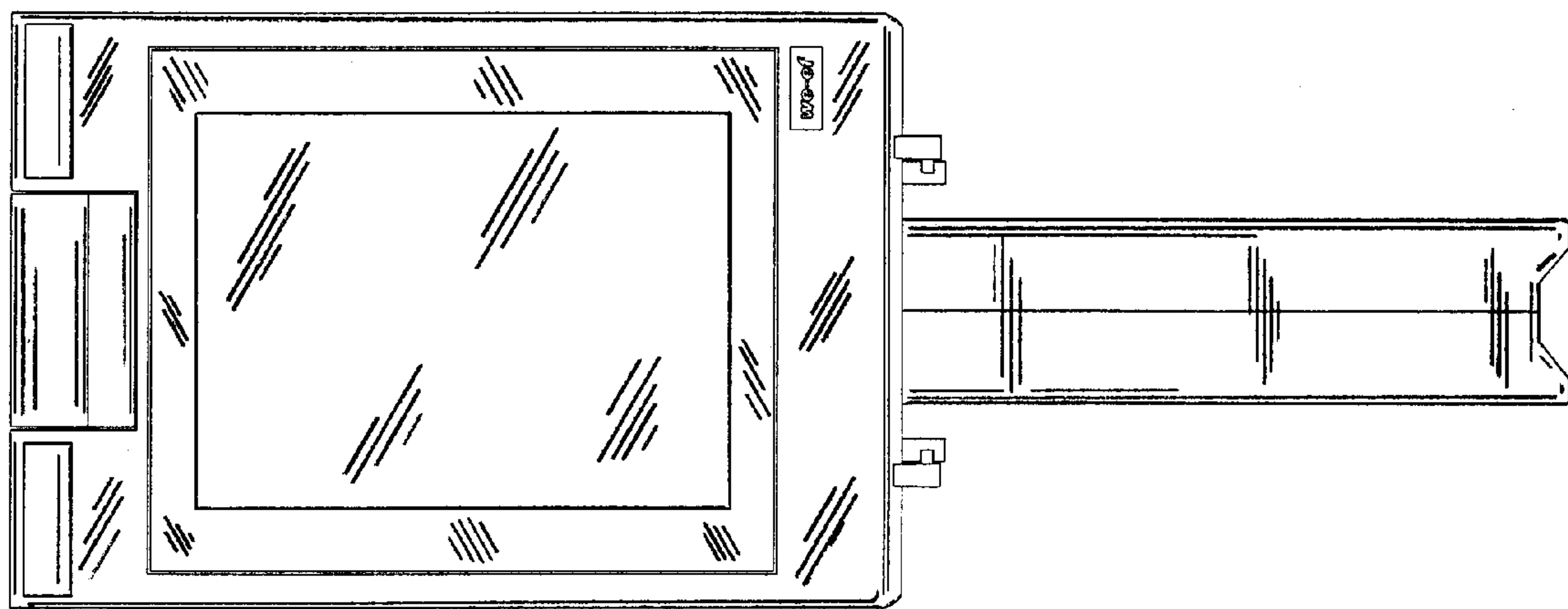


FIG. 8

UNITED STATES PATENT AND TRADEMARK OFFICE  
**CERTIFICATE OF CORRECTION**

PATENT NO. : Des. 550,388 S  
APPLICATION NO. : 29/205570  
DATED : September 4, 2007  
INVENTOR(S) : Wisoot Binsukor

Page 1 of 1

It is certified that error appears in the above-identified patent and that said Letters Patent is hereby corrected as shown below:

On the Title Page, Item (75) Inventor: "Winsoot Binsukor" should read  
-- Wisoot Binsukor --

On the Title Page, Item (73) Assignee: "WE-EF Lighting USA, Inc." should read  
-- WE-EF Lighting USA, LLC --

Signed and Sealed this

Twelfth Day of February, 2008

A handwritten signature in black ink that reads "Jon W. Dudas". The signature is written in a cursive style with a large, stylized initial "J".

JON W. DUDAS  
*Director of the United States Patent and Trademark Office*