



US00D550387S

(12) **United States Design Patent**  
**Guercio**

(10) **Patent No.:** **US D550,387 S**

(45) **Date of Patent:** **\*\* Sep. 4, 2007**

(54) **FLEX LIGHT FIXTURE WITH TRUNNION MOUNT**

(75) Inventor: **Vincenzo Guercio**, Wallkill, NY (US)

(73) Assignee: **RAB Lighting, Inc.**, Northvale, NJ (US)

(\*\*) Term: **14 Years**

(21) Appl. No.: **29/252,999**

(22) Filed: **Jan. 30, 2006**

(51) **LOC (8) Cl.** ..... **26-05**

(52) **U.S. Cl.** ..... **D26/63; D26/85**

(58) **Field of Classification Search** ..... D26/61-63,  
D26/93, 118, 107, 128; 362/269, 277, 278,  
362/282, 285, 287, 288, 410, 413, 418-430,  
362/449

See application file for complete search history.

(56) **References Cited**

**U.S. PATENT DOCUMENTS**

D83,058 S	*	1/1931	O'Neil	.....	D26/24
D207,063 S	*	2/1967	Sovatsky	.....	D26/64
D287,413 S	*	12/1986	Kusmer et al.	.....	D26/65
D316,303 S	*	4/1991	Layne	.....	D26/63
D434,515 S	*	11/2000	McNamara	.....	D26/63

**OTHER PUBLICATIONS**

U.S. Appl. No. 29/215,438, Guercio.

\* cited by examiner

*Primary Examiner*—Clare E Heflin

(74) *Attorney, Agent, or Firm*—Darby & Darby

(57) **CLAIM**

The ornamental design for a flex light fixture with trunnion mount, as shown and described.

**DESCRIPTION**

FIG. 1 is a front perspective view of a flex light fixture with trunnion mount;

FIG. 2 is a front view of the flex light of FIG. 1;

FIG. 3 is a left side view of the flex light of FIG. 1;

FIG. 4 is a top view of the flex light of FIG. 1;

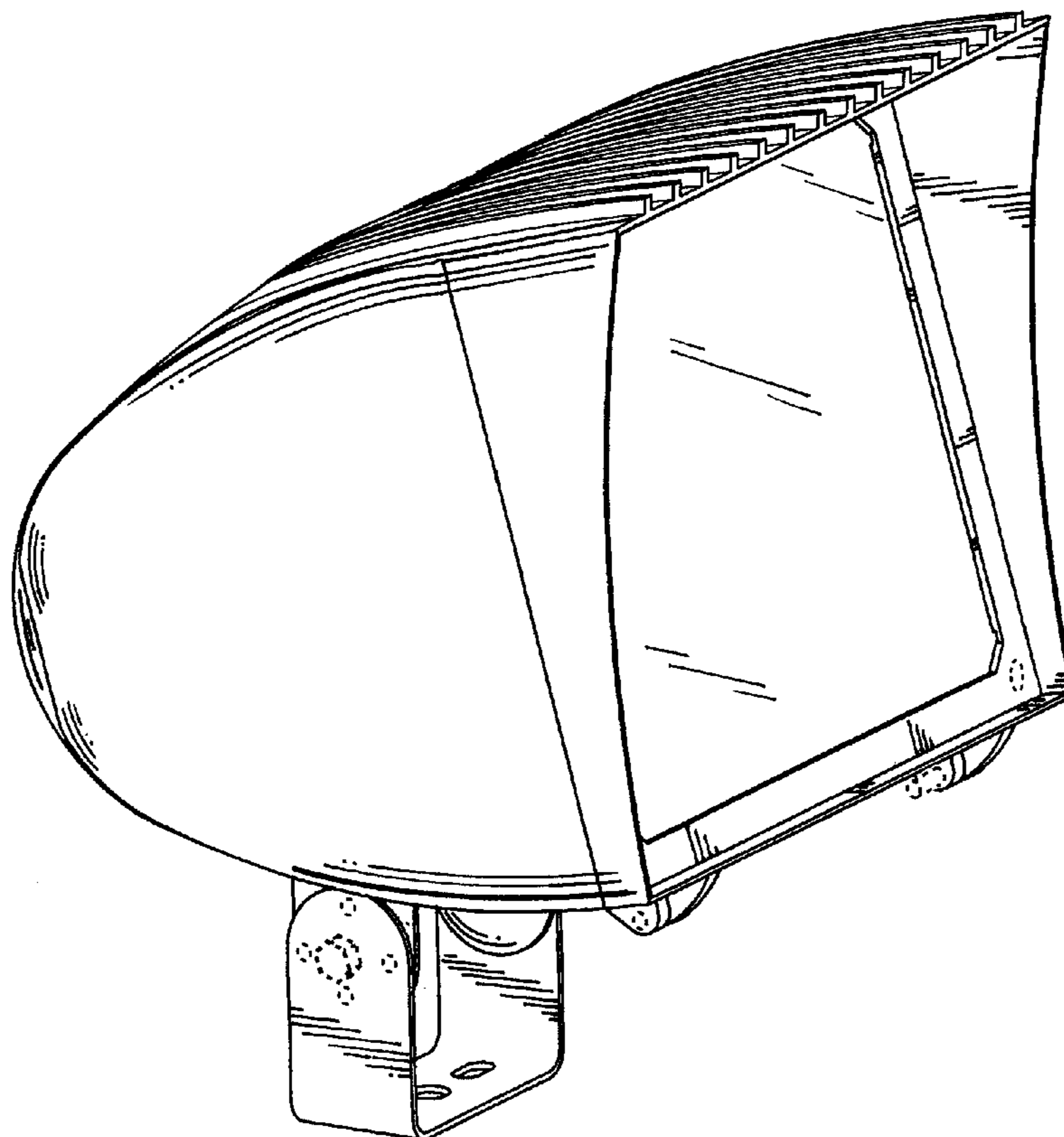
FIG. 5 is a bottom view of the flex light of FIG. 1;

FIG. 6 is a right view of the flex light of FIG. 1; and,

FIG. 7 is a back view of the flex light of FIG. 1.

The broken lines shown on the drawings are for illustrative purposes only and form no part of the claimed design.

**1 Claim, 7 Drawing Sheets**



**FIG. 1**

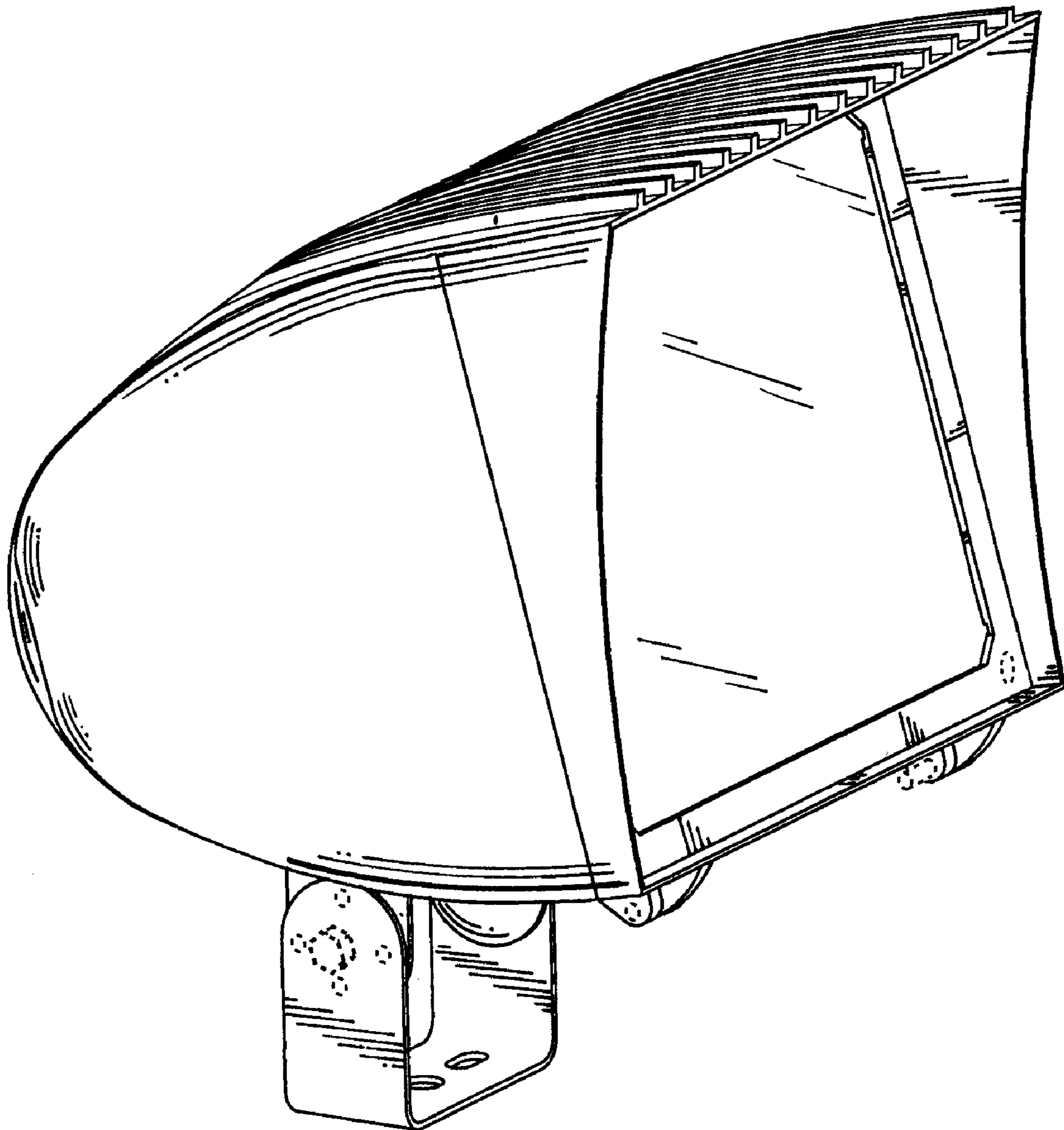
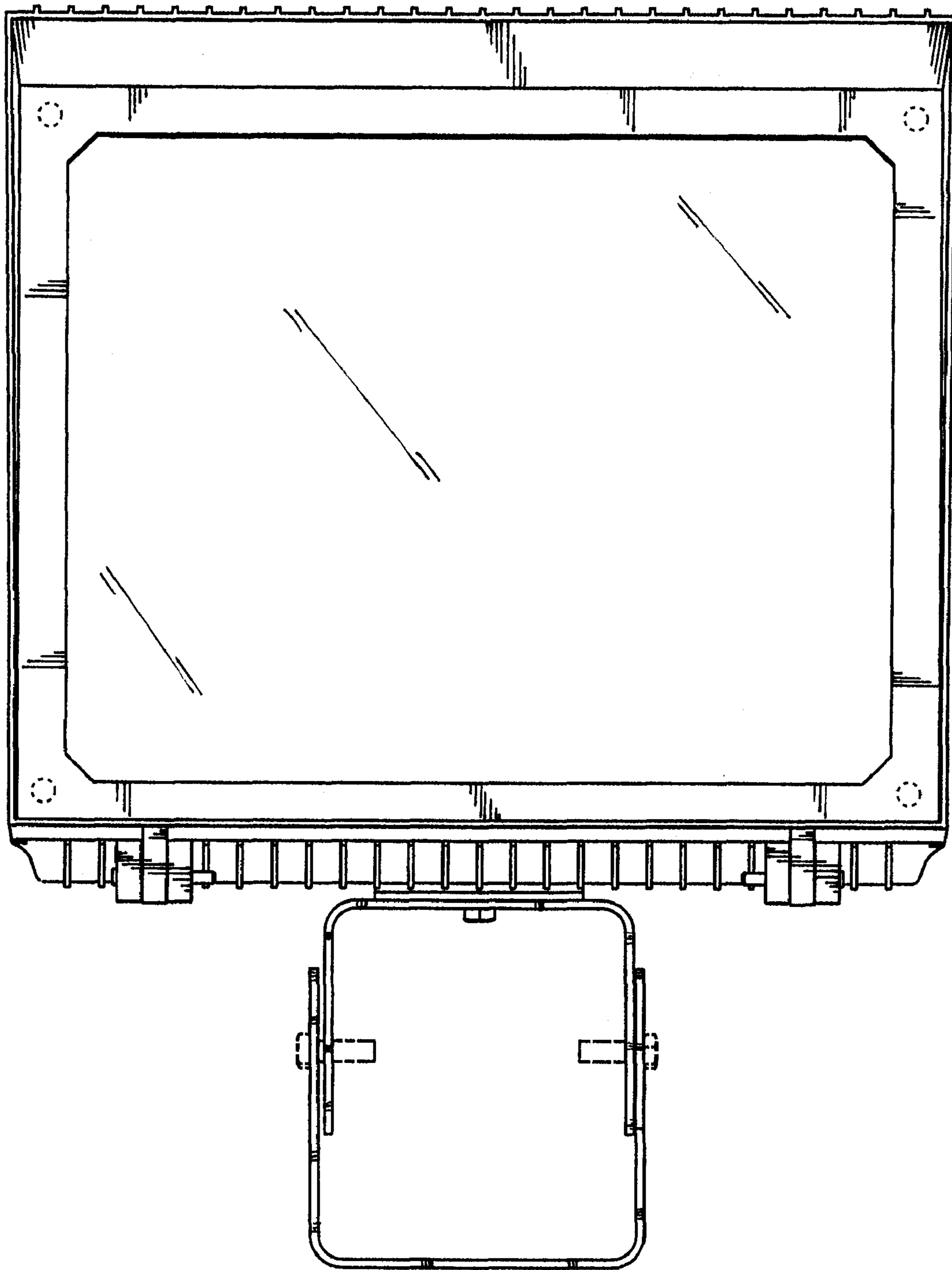
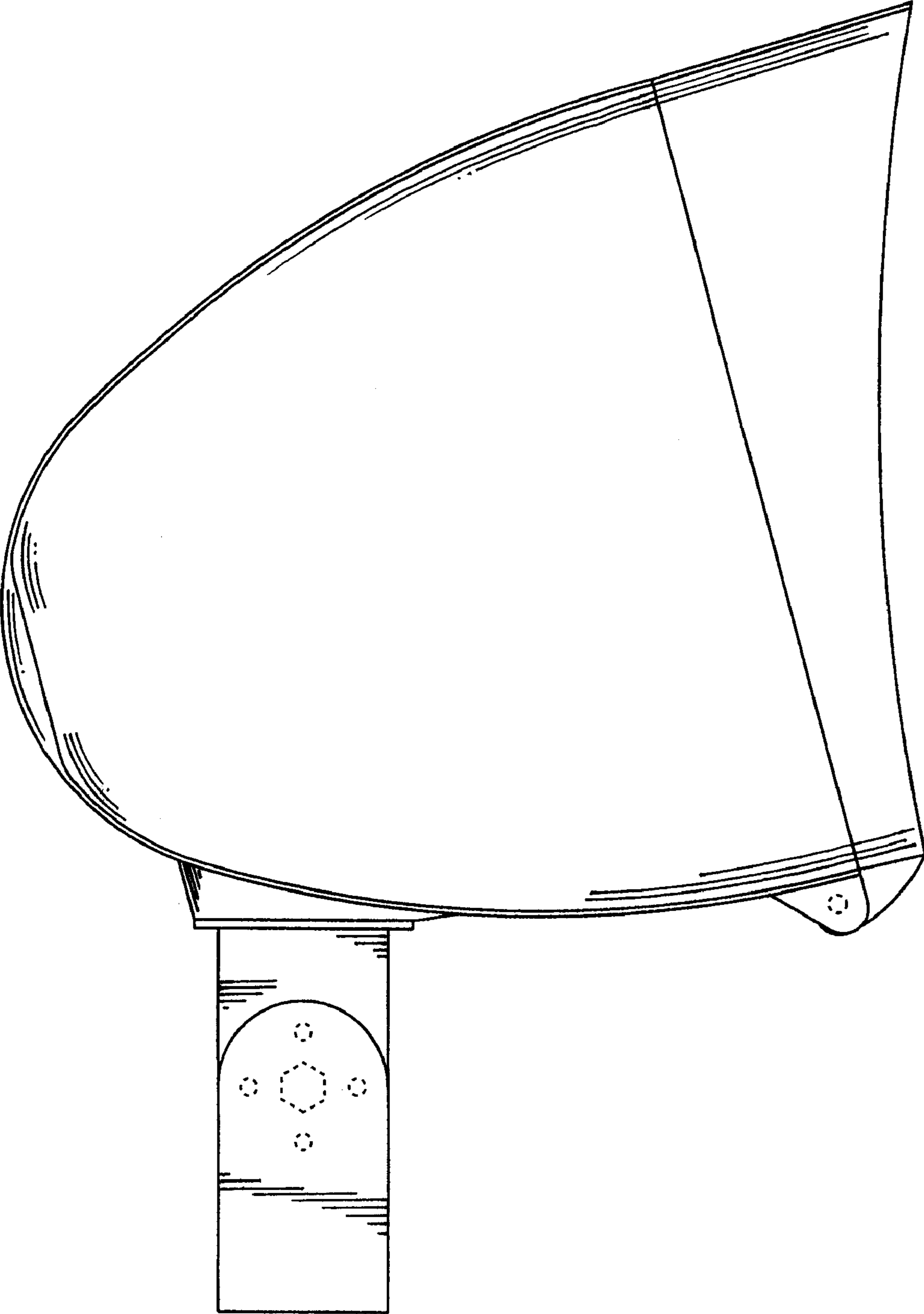


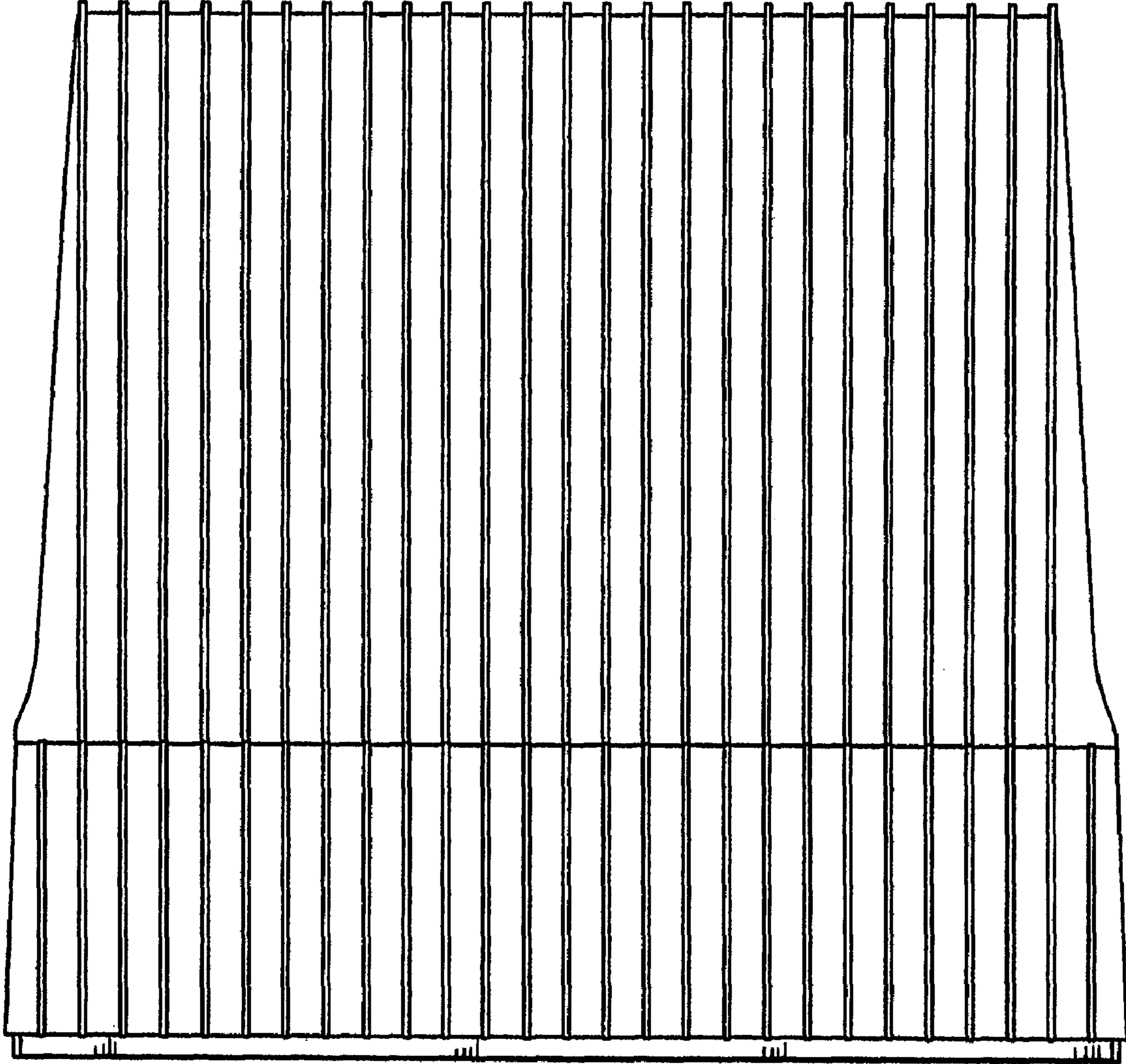
FIG. 2



**FIG. 3**

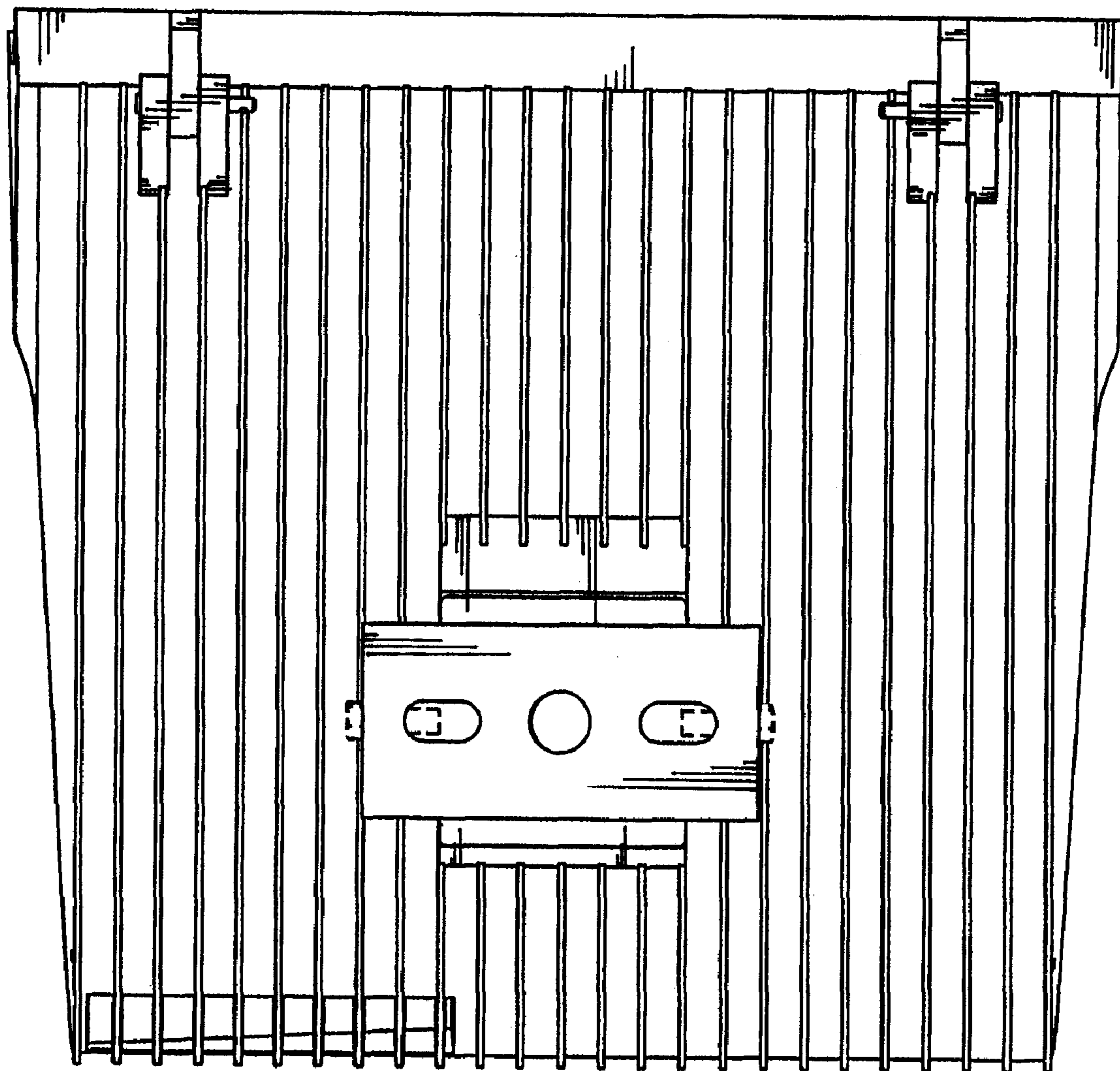


**FIG. 4**

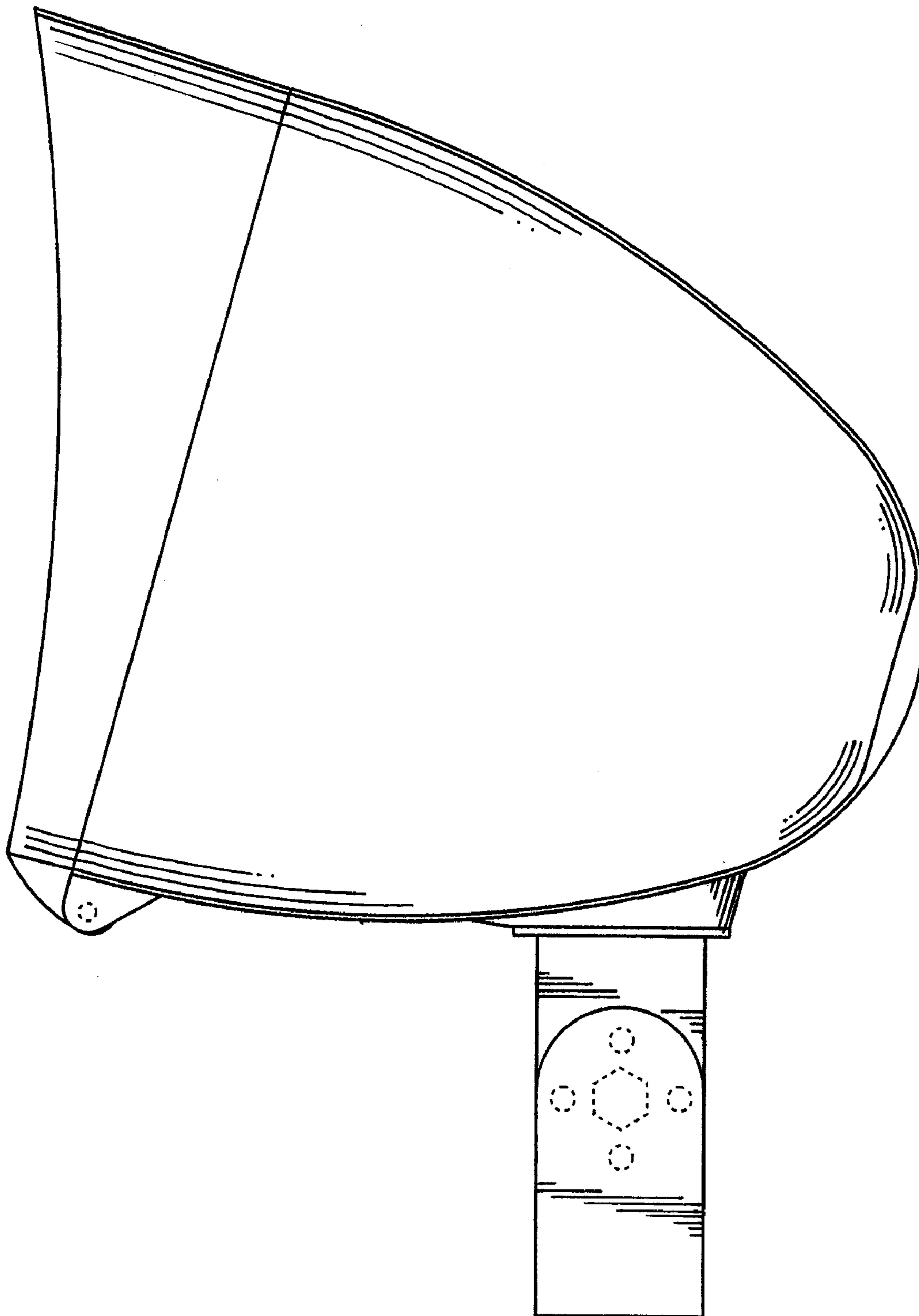




**FIG. 5**



**FIG. 6**



**FIG. 7**

