



US00D550384S

(12) **United States Design Patent**
Shimokawa et al.

(10) **Patent No.:** **US D550,384 S**

(45) **Date of Patent:** **** Sep. 4, 2007**

(54) **HEADLIGHT FOR A MOTORCYCLE**

D539,948 S * 4/2007 Katagiri et al. D26/28

* cited by examiner

(75) Inventors: **Hiroshi Shimokawa**, Tokyo (JP);
Takuya Nakamura, Tokyo (JP)

Primary Examiner—Marcus A. Jackson

(73) Assignee: **Yamaha Hatsudoki Kabushiki Kaisha**
(JP)

(74) *Attorney, Agent, or Firm*—Ostrolenk, Faber, Gerb &
Soffen, LLP

(**) Term: **14 Years**

(57) **CLAIM**

(21) Appl. No.: **29/276,965**

The ornamental design for a headlight for a motorcycle, as shown.

(22) Filed: **Feb. 9, 2007**

DESCRIPTION

(51) **LOC (8) Cl.** **26-06**

FIG. 1 is a front, left side perspective view of a headlight for a motorcycle showing our new design;

(52) **U.S. Cl.** **D26/28**

FIG. 2 is a rear right side perspective view thereof;

(58) **Field of Classification Search** D26/28–36;
362/359–368, 375–378, 385–387

FIG. 3 is a right side view thereof;

See application file for complete search history.

FIG. 4 is a left side view thereof;

FIG. 5 is a front side view thereof;

(56) **References Cited**

FIG. 6 is a rear view thereof;

U.S. PATENT DOCUMENTS

FIG. 7 is a top view thereof; and,

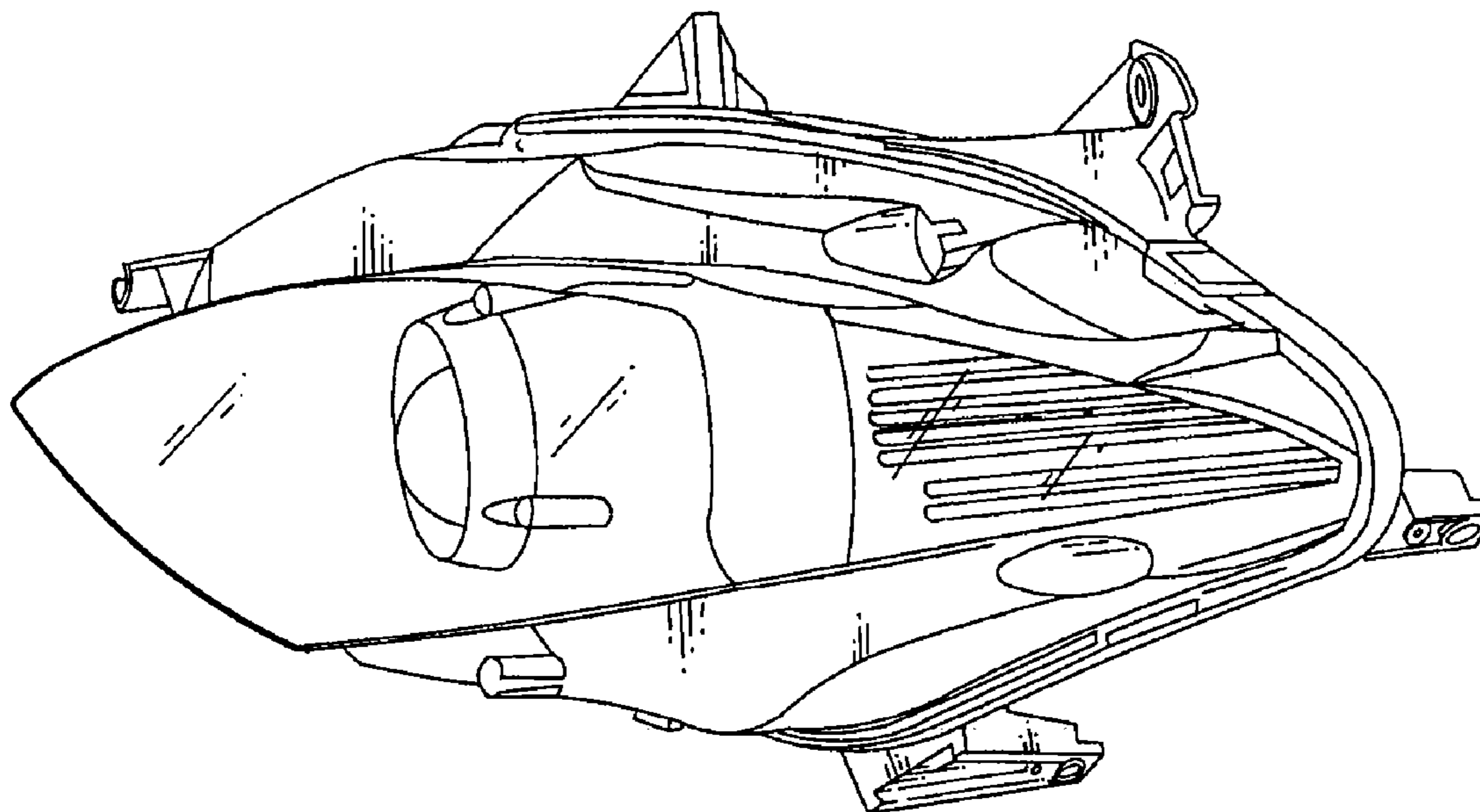
D500,564 S * 1/2005 Uemoto et al. D26/28

FIG. 8 is a bottom view thereof.

D521,163 S * 5/2006 Song D26/28

D523,571 S * 6/2006 Sugimoto D26/28

1 Claim, 4 Drawing Sheets



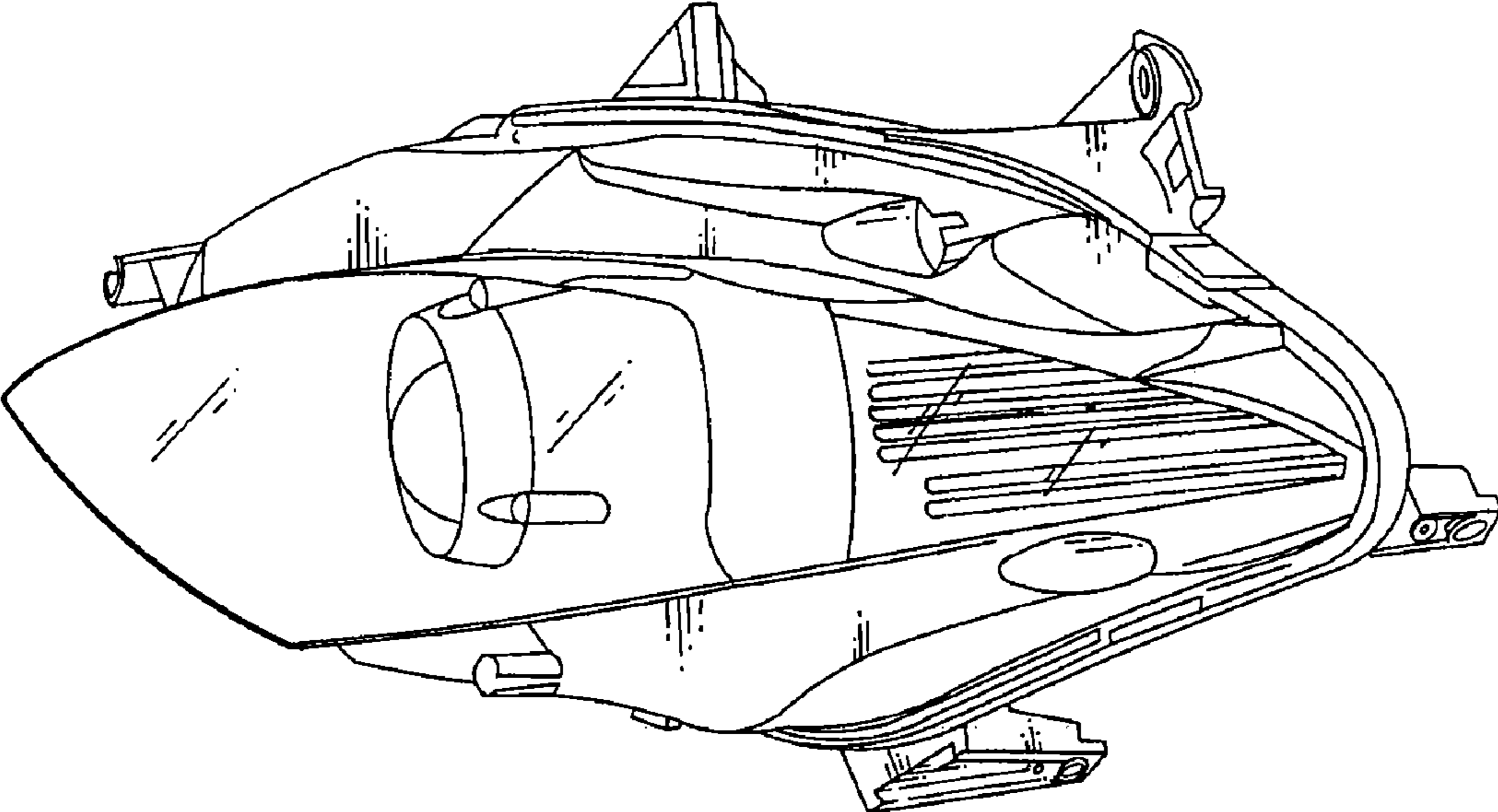


FIG. 1

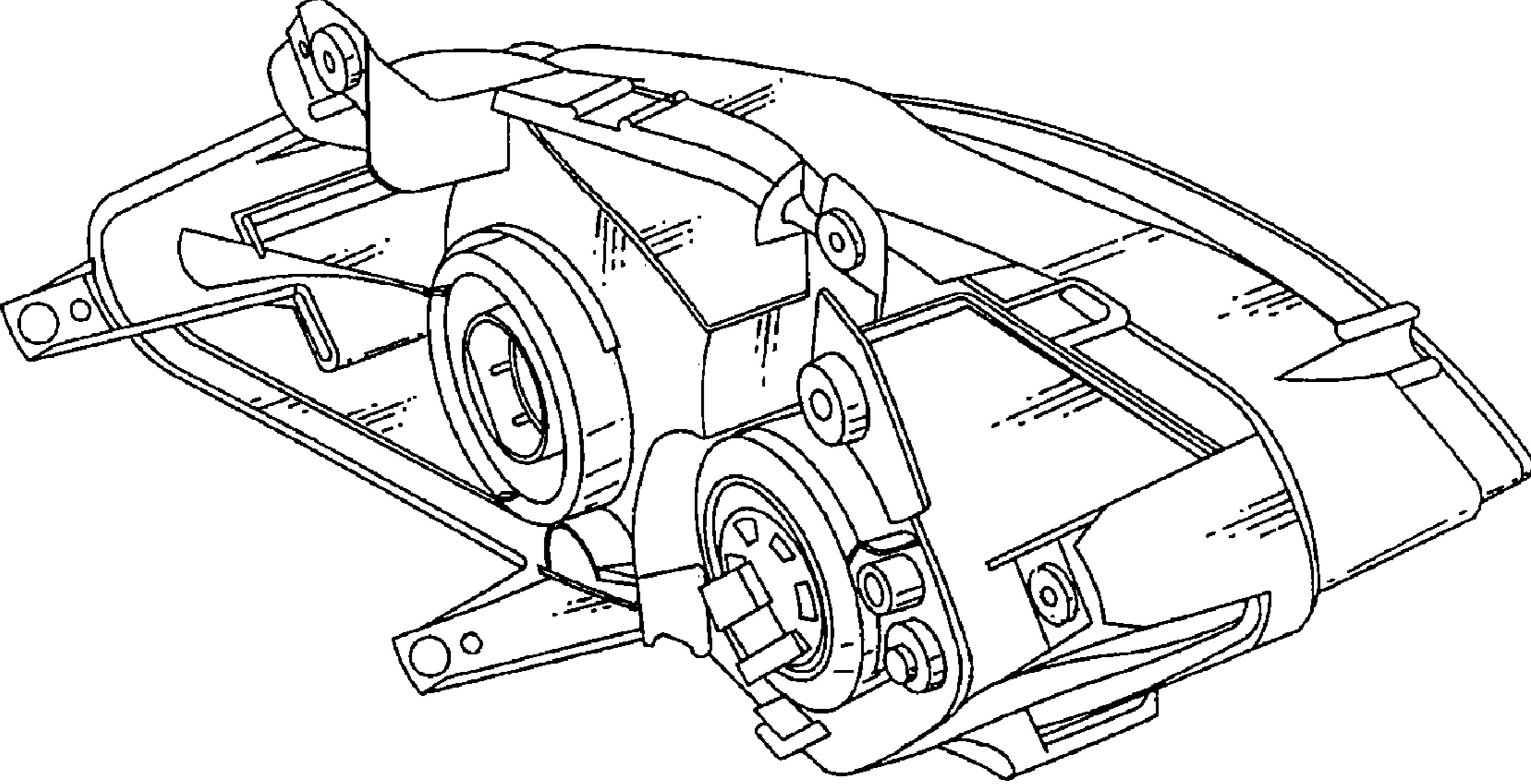


FIG. 2

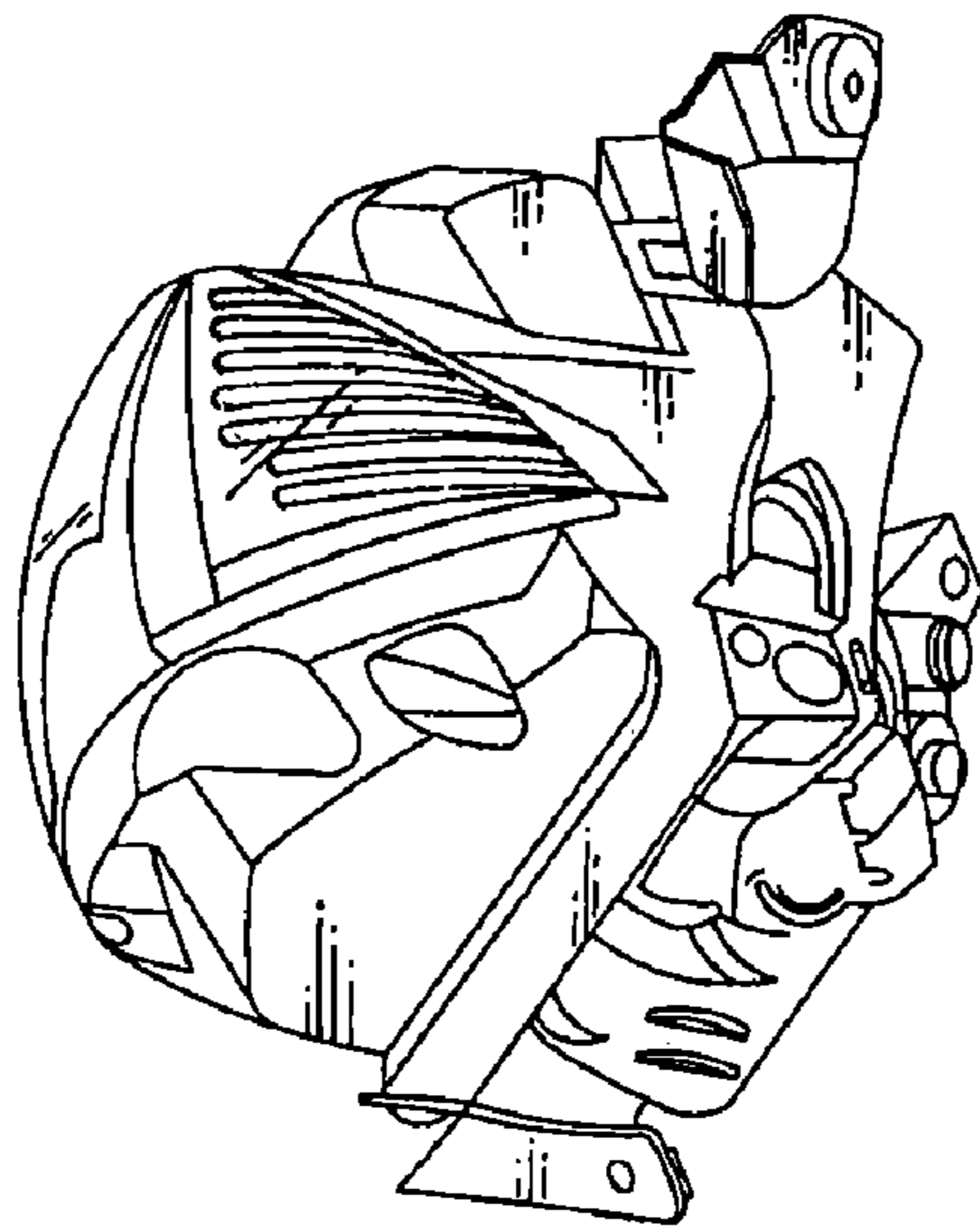


FIG. 4

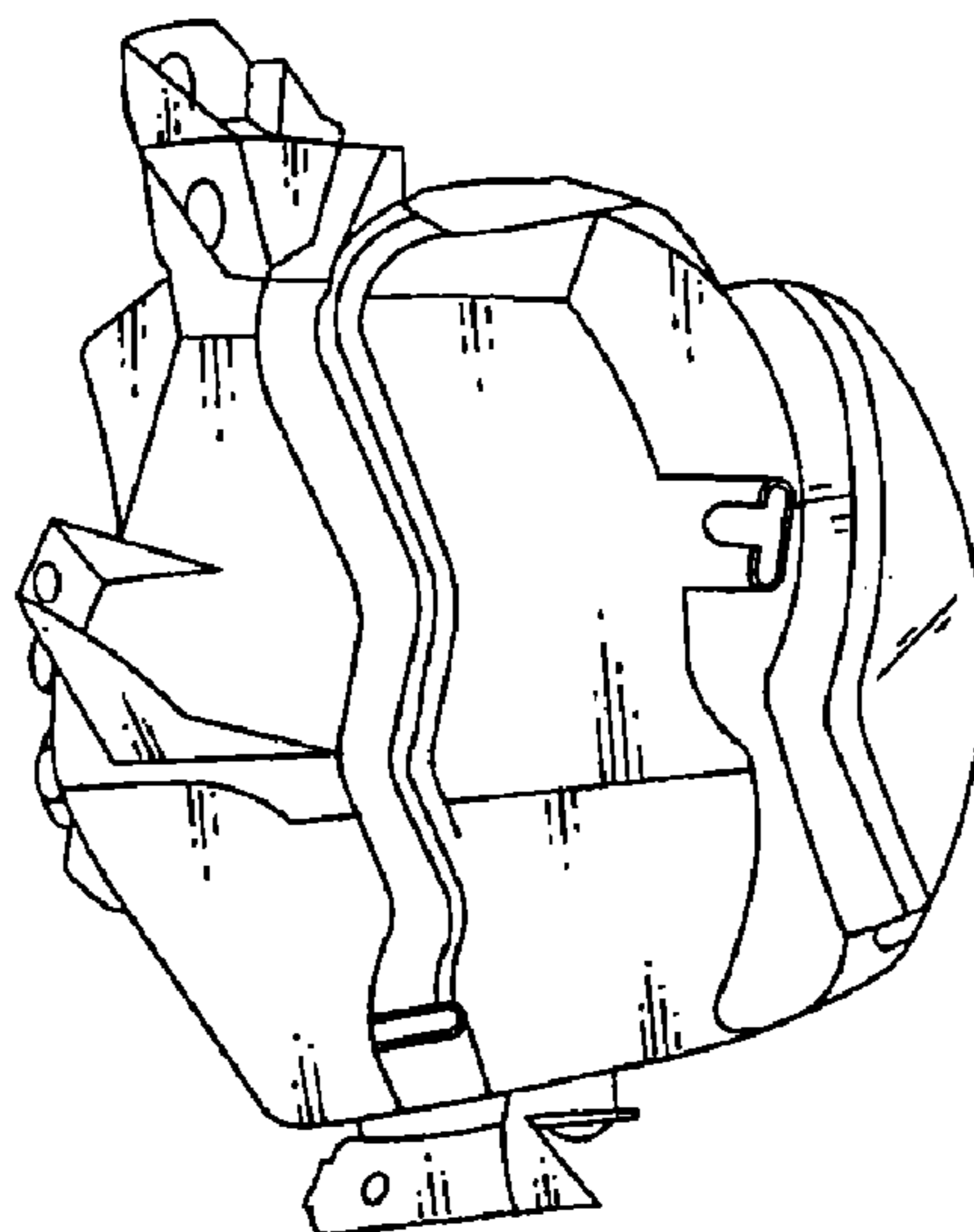


FIG. 3

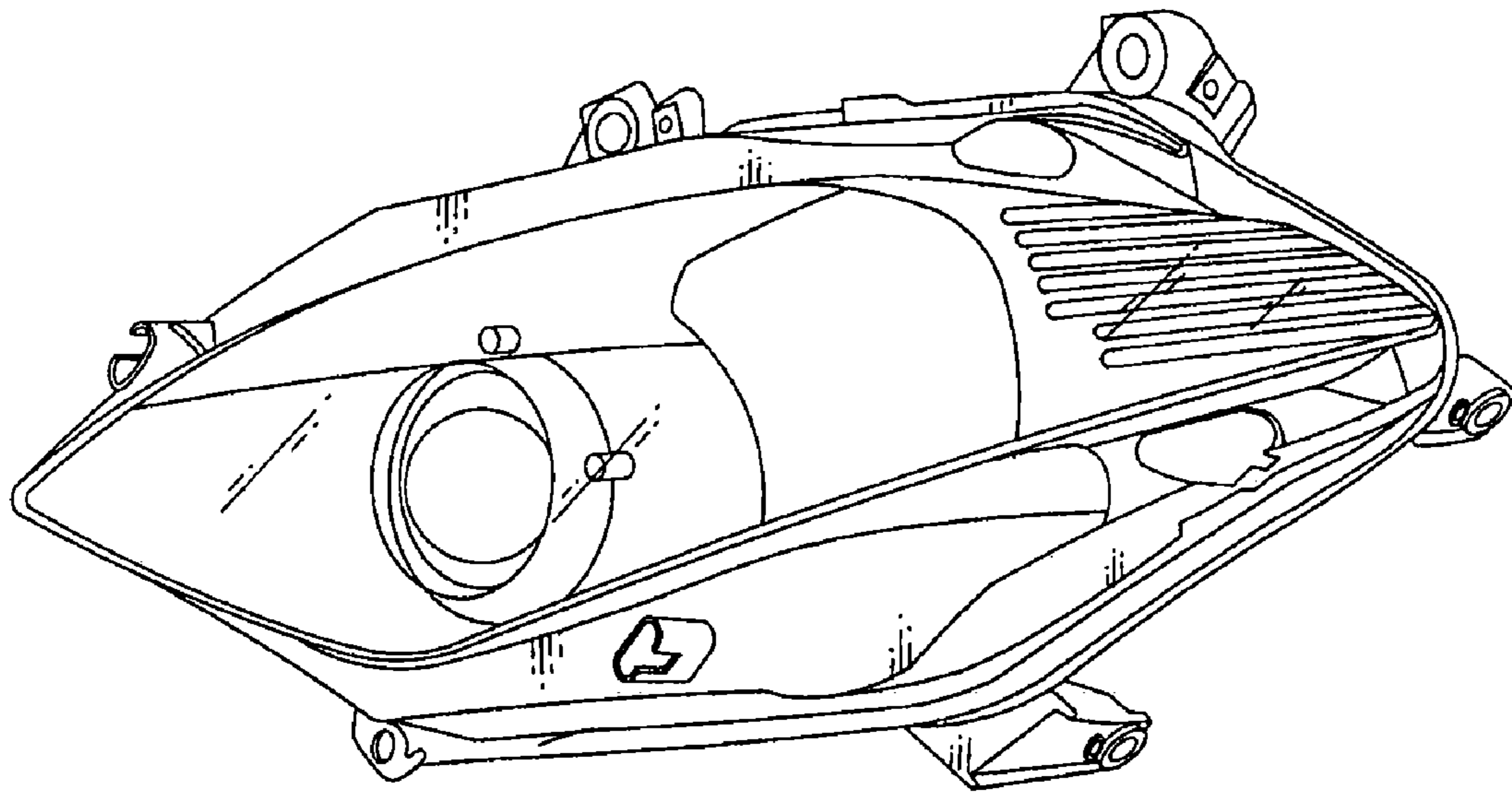


FIG. 5

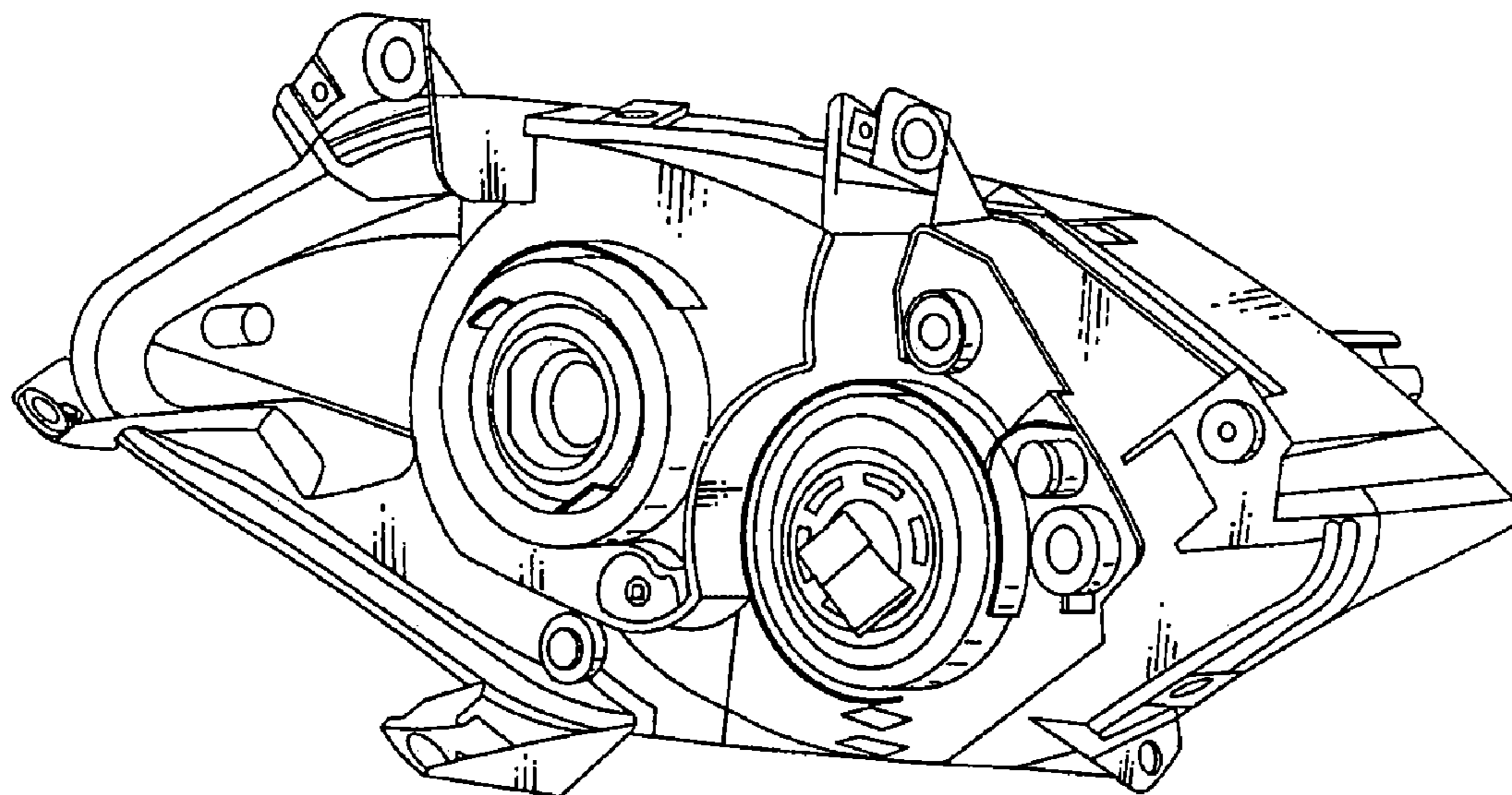


FIG. 6

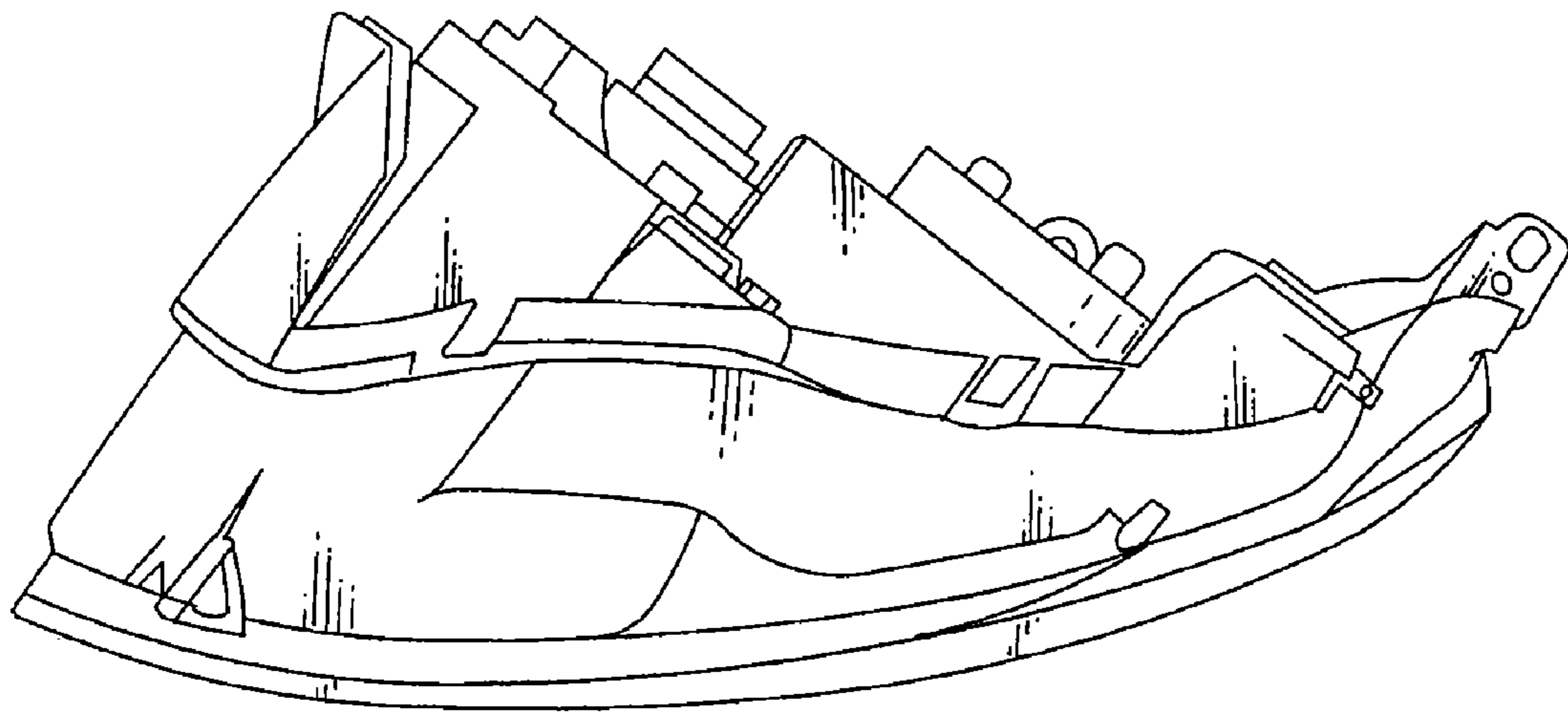


FIG. 7

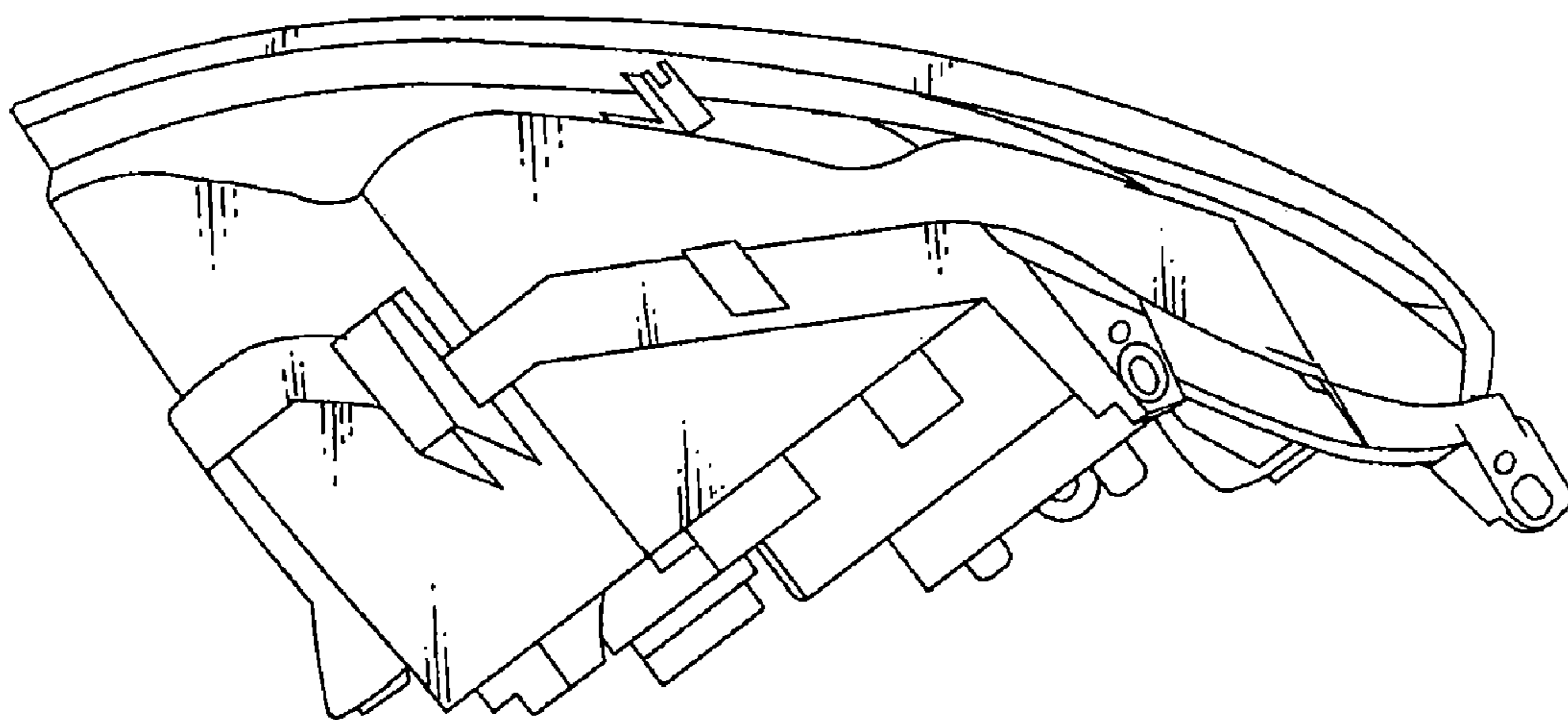


FIG. 8