



US00D550379S

(12) **United States Design Patent** (10) **Patent No.:** **US D550,379 S**
Hoshikawa et al. (45) **Date of Patent:** **** Sep. 4, 2007**

(54) **LED LAMP**

2004/0080939 A1* 4/2004 Braddell et al. 362/240

(75) Inventors: **Kiyotoshi Hoshikawa**, Tokyo (JP);
Kanji Tajima, Tokyo (JP); **Yutaka Hirasawa**, Tokyo (JP)

FOREIGN PATENT DOCUMENTS

JP 1248893 8/2005

(73) Assignee: **Moriyama Sangyo Kabushiki Kaisha**, Tokyo (JP)

* cited by examiner

Primary Examiner—Alan P. Douglas

Assistant Examiner—Angela Lee

(**) Term: **14 Years**

(74) *Attorney, Agent, or Firm*—Marshall & Melhorn, LLC

(21) Appl. No.: **29/269,588**

(57) **CLAIM**

(22) Filed: **Dec. 4, 2006**

The ornamental design for an LED lamp, as shown and described.

Related U.S. Application Data

DESCRIPTION

(63) Continuation-in-part of application No. 29/226,697, filed on Mar. 31, 2005, now abandoned.

FIG. 1 is a perspective view of a LED lamp showing our new design;

(51) **LOC (8) Cl.** **25-04**

(52) **U.S. Cl.** **D26/25**

FIG. 1A is an enlarged view of the portion of FIG. 1 shown in the view circle 1A of FIG. 1;

(58) **Field of Classification Search** D26/3,
D26/24-5, 27, 31, 76; D20/12; D13/180;
40/550; 362/236, 238, 249, 252
See application file for complete search history.

FIG. 2 is a top view thereof, a bottom view being a mirror image thereof;

(56) **References Cited**

U.S. PATENT DOCUMENTS

- 5,672,000 A * 9/1997 Lin 362/249
- 6,033,088 A * 3/2000 Contigiani 362/249
- D441,884 S * 5/2001 Moriyama et al. D26/25
- 6,283,612 B1 * 9/2001 Hunter 362/240
- 6,386,733 B1 * 5/2002 Ohkohdo et al. 362/249
- 6,478,449 B2 * 11/2002 Lee et al. 362/249
- D477,093 S * 7/2003 Moriyama et al. D26/3
- 6,736,525 B2 * 5/2004 Chin 362/249
- D493,004 S * 7/2004 Hoshikawa et al. D26/3
- D505,662 S * 5/2005 Moriyama et al. D13/180
- D505,663 S * 5/2005 Moriyama et al. D13/180
- D506,274 S * 6/2005 Moriyama et al. D26/3
- 7,152,999 B2 * 12/2006 Lin 362/252
- 2002/0149935 A1 * 10/2002 Lee et al. 362/249
- 2003/0039121 A1 * 2/2003 Nezigane 362/247
- 2003/0210546 A1 * 11/2003 Chin 362/249
- 2004/0037079 A1 * 2/2004 Luk 362/252

FIG. 3 is a front view thereof;

FIG. 3A is an enlarged view of the portion of FIG. 1 shown in the view circle 3A of FIG. 3;

FIG. 4 is a rear view thereof;

FIG. 4A is an enlarged view of the portion of FIG. 4 shown in the view circle 4A of FIG. 4;

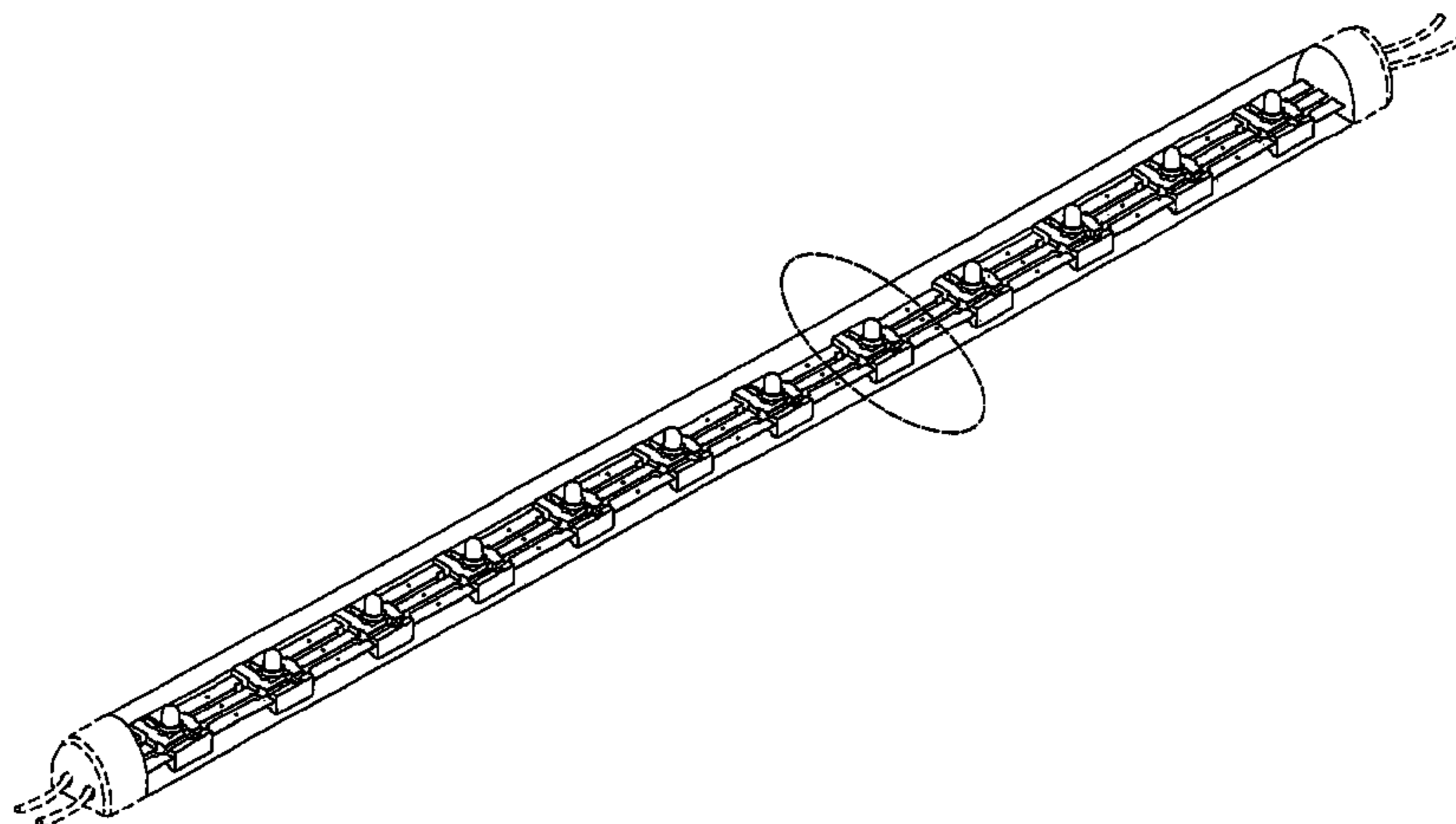
FIG. 4B is an enlarged back perspective view of the portion of FIG. 4 shown in the view circle 4A of FIG. 4;

FIG. 5 is a right side view thereof, a left side view being a mirror image thereof; and,

FIG. 6 is an enlarged cross-sectional view thereof taken along the line VI—VI in FIG. 3.

FIG. 1 is a perspective view of an LED lamp showing our new design, with connector members being attached on either end thereof, the connector members being shown in broken lines and forming no part of the claimed design.

1 Claim, 7 Drawing Sheets



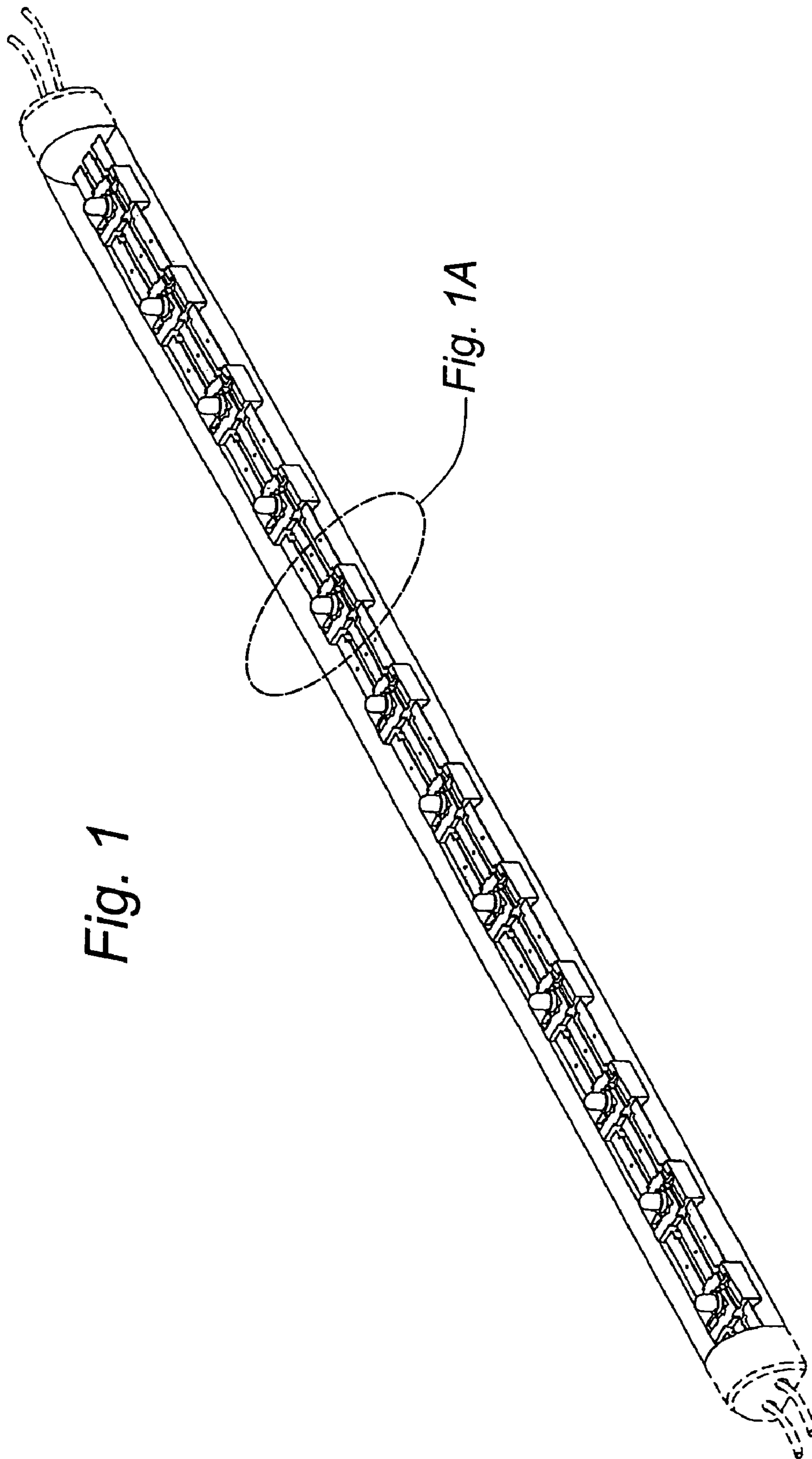


Fig. 1

Fig. 1A

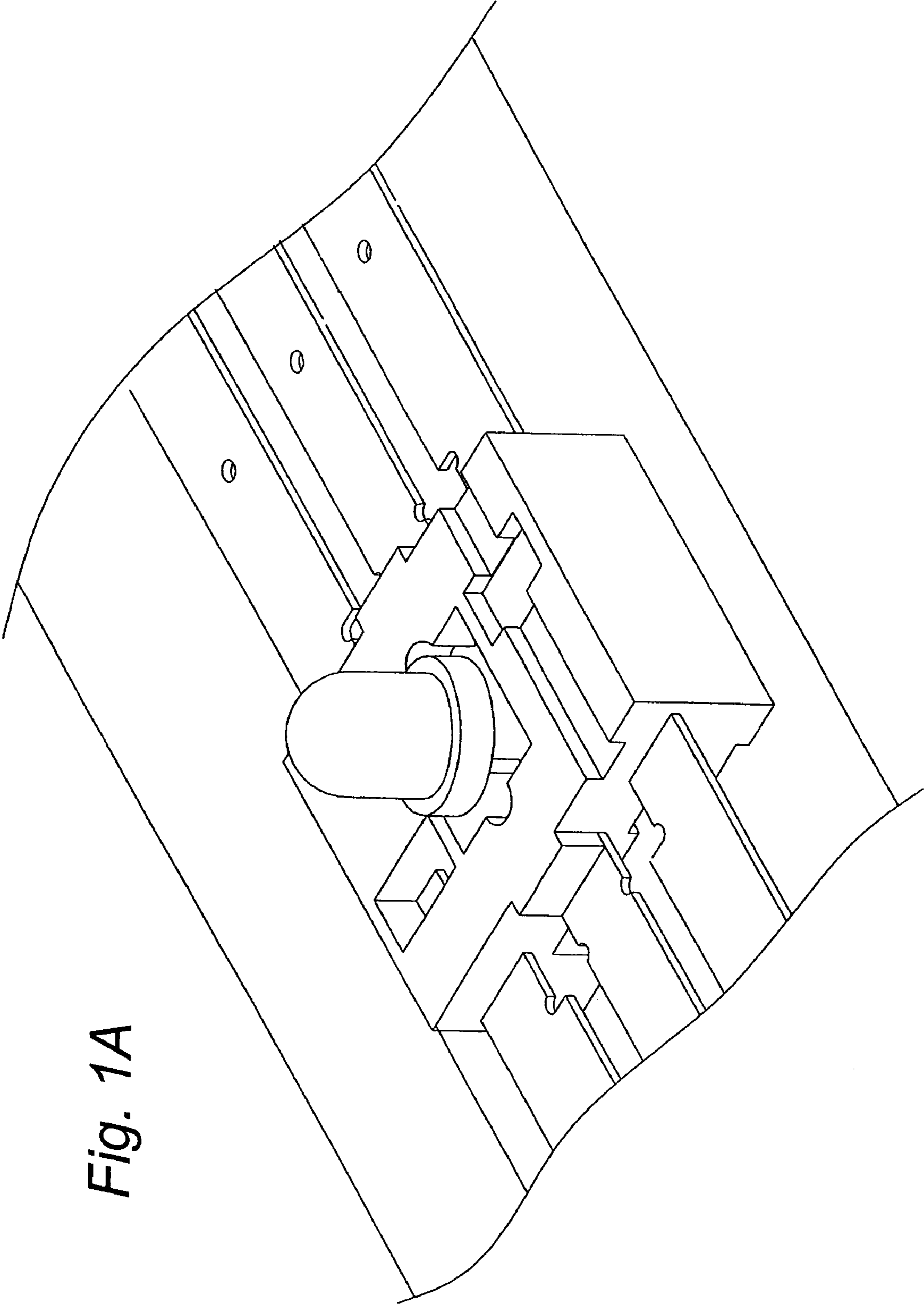


Fig. 1A

Fig. 2

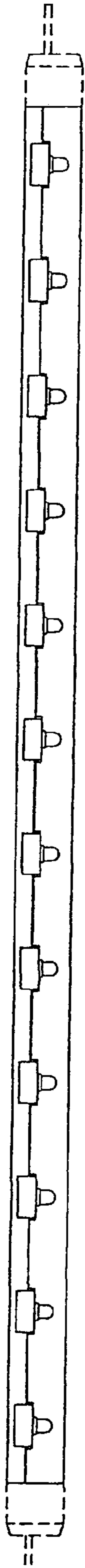


Fig. 3

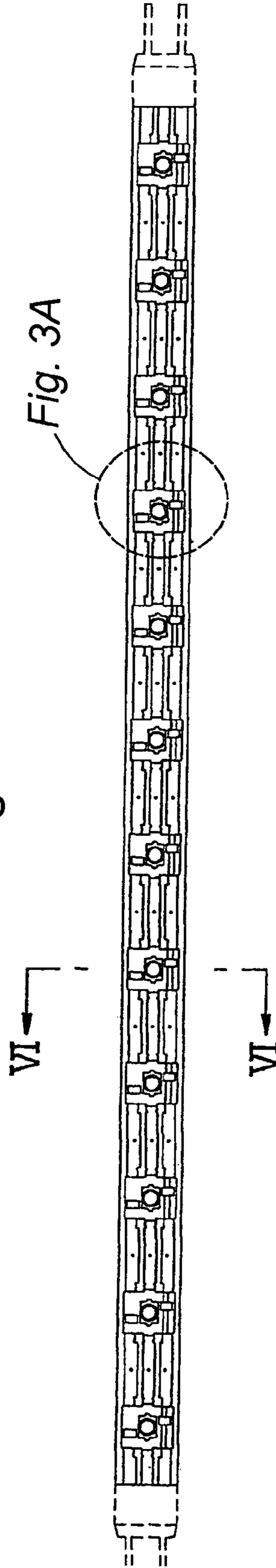


Fig. 4

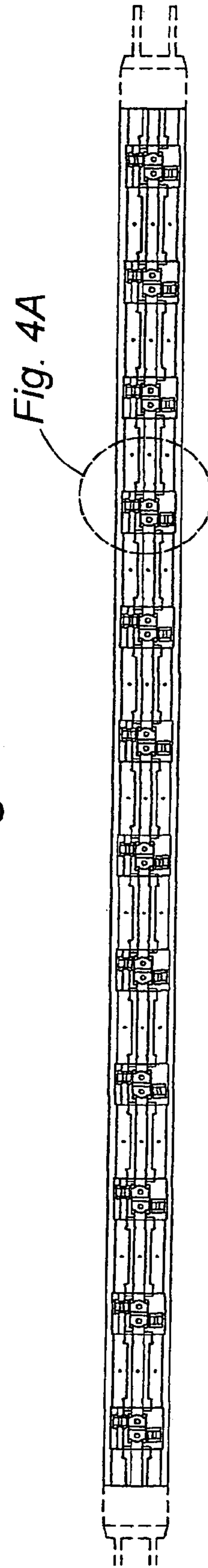


Fig. 3A

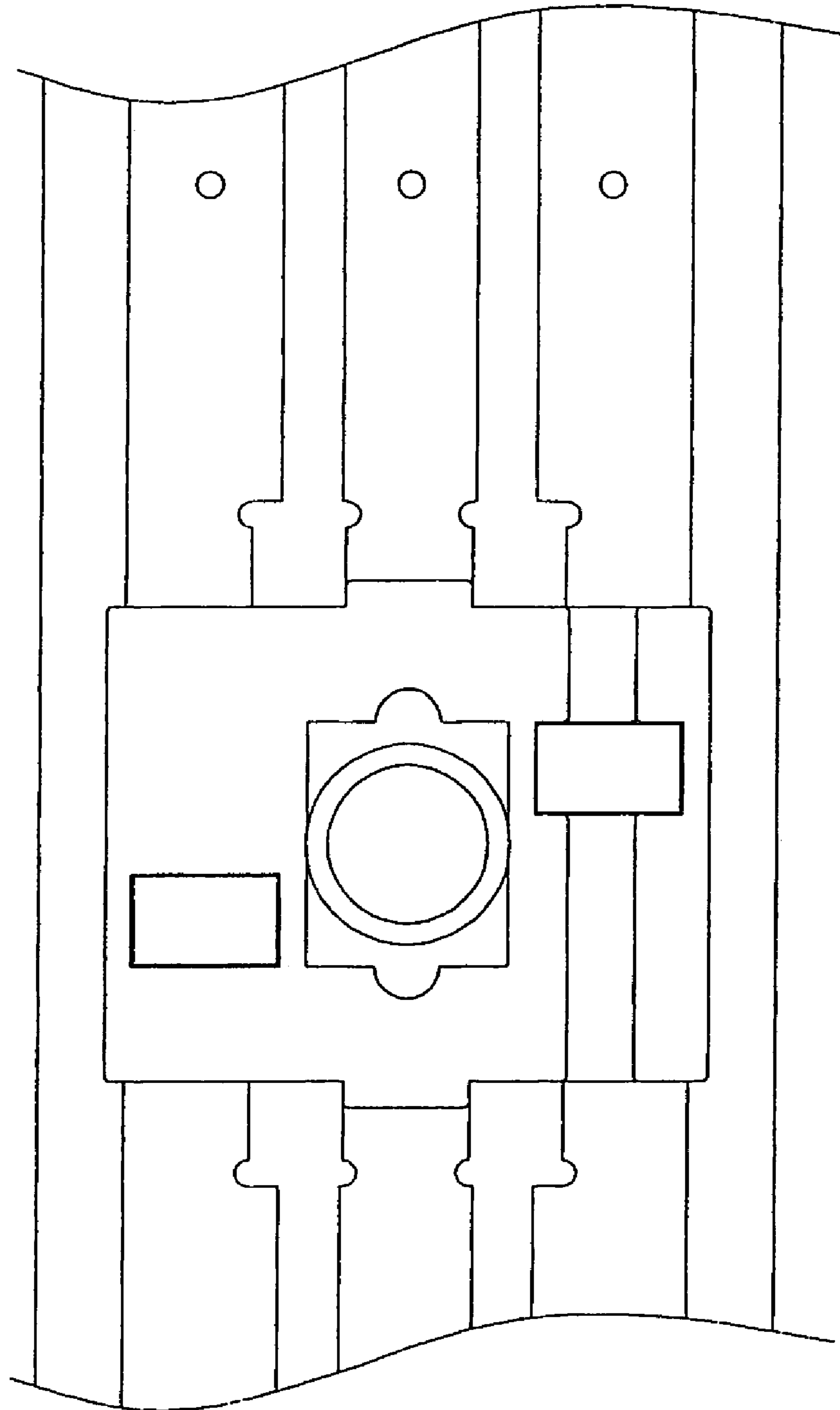
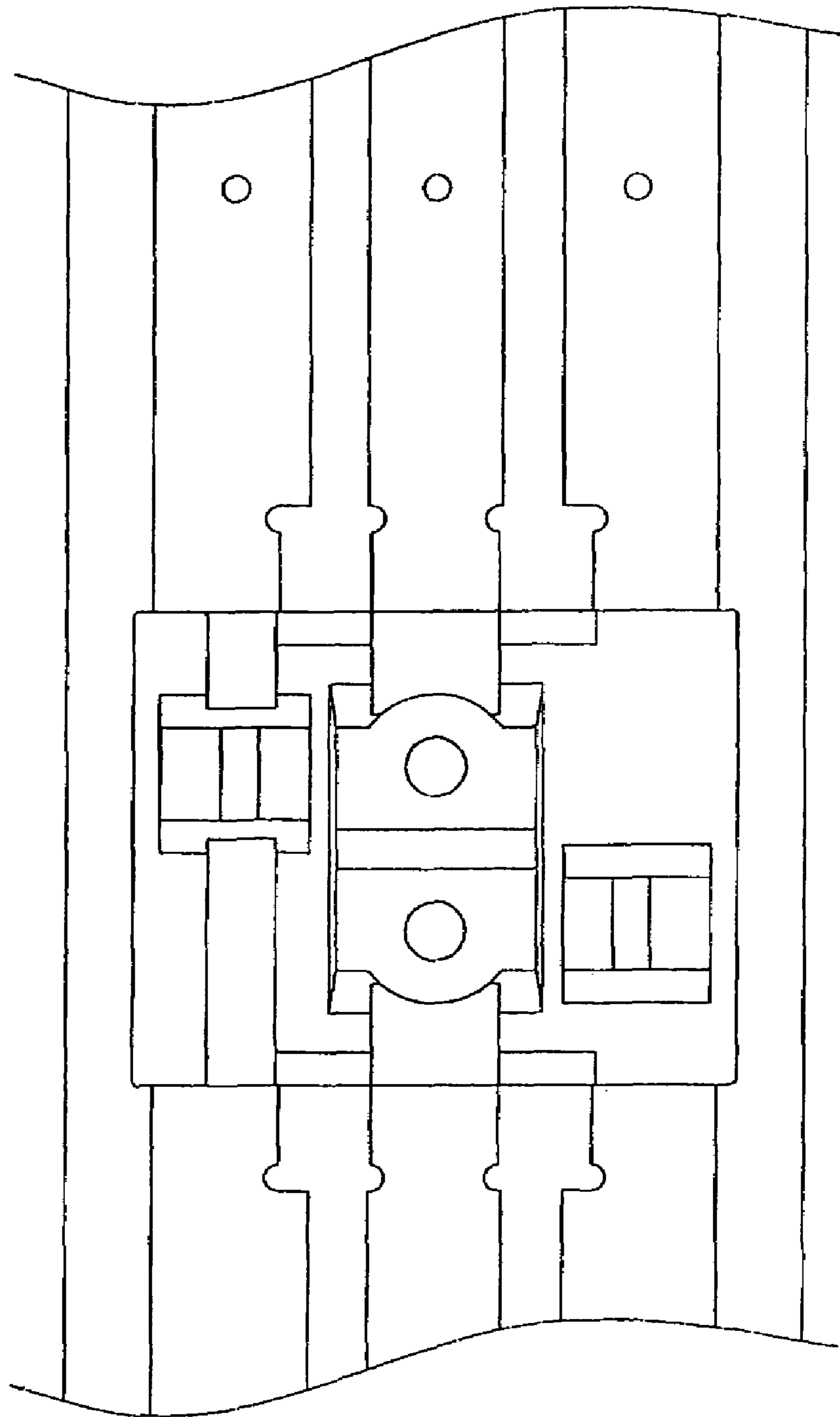


Fig. 4A



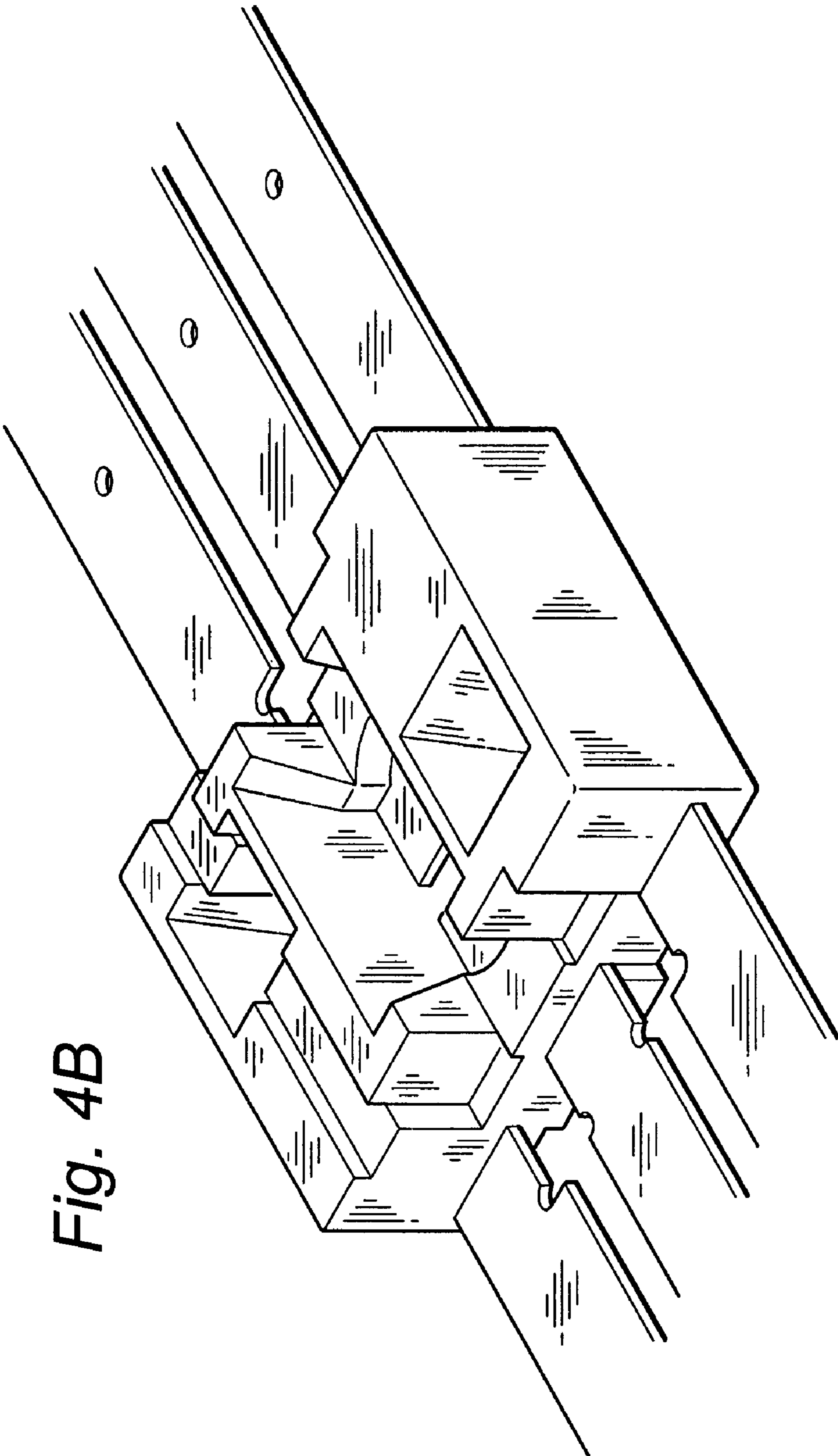


Fig. 4B

Fig. 5



Fig. 6

