



US00D550374S

(12) **United States Design Patent**
Genova

(10) **Patent No.:** **US D550,374 S**

(45) **Date of Patent:** **** Sep. 4, 2007**

(54) **SPA STEP ASSEMBLY**

(76) Inventor: **Michael C. Genova**, 5342 N. Florida St., Spokane, WA (US) 99217

(**) Term: **14 Years**

(21) Appl. No.: **29/258,320**

(22) Filed: **Apr. 20, 2006**

(51) **LOC (8) Cl.** **25-04**

(52) **U.S. Cl.** **D25/63; D25/65**

(58) **Field of Classification Search** D25/2,
D25/65, 62, 63; 4/506, 488, 496; 182/191,
182/182, 184

See application file for complete search history.

(56) **References Cited**

U.S. PATENT DOCUMENTS

3,755,981	A *	9/1973	West	52/184
5,916,099	A *	6/1999	Hall	52/169.7
D430,679	S	9/2000	Rodgers		
D465,032	S *	10/2002	Robbins et al.	D25/63
D485,915	S	1/2004	Robbins et al.		

* cited by examiner

Primary Examiner—Doris Clark

(74) *Attorney, Agent, or Firm*—Gregory IPL; Randy A. Gregory

(57) **CLAIM**

The ornamental design for a spa step assembly, as shown and described.

DESCRIPTION

The present design is for a spa step assembly having tread supports and treads. Two embodiments are shown. One

embodiment includes drawers positioned beneath the treads and the second does not have such drawers. Said spa step assembly is used for entering and exiting a spa, hot tub and the like and in some embodiments be used to store things therein. The treads can be reversed to expose different shaped and appearing sides.

FIG. 1 is a front, right perspective view of the spa step assembly;

FIG. 2 is a front, left perspective view thereof;

FIG. 3 is a top plan view thereof;

FIG. 4 is a front elevation view thereof;

FIG. 5 is a rear elevation view thereof;

FIG. 6 is a right side elevation view thereof;

FIG. 7 is a front, right perspective view of a second embodiment of the spa step assembly;

FIG. 8 is a front, left perspective view thereof;

FIG. 9 is a top plan view thereof;

FIG. 10 is a right, front perspective view of a third embodiment of a spa step assembly;

FIG. 11 is a left, front perspective view thereof;

FIG. 12 is a top plan view thereof;

FIG. 13 is a front elevation view thereof;

FIG. 14 is a rear elevation view thereof

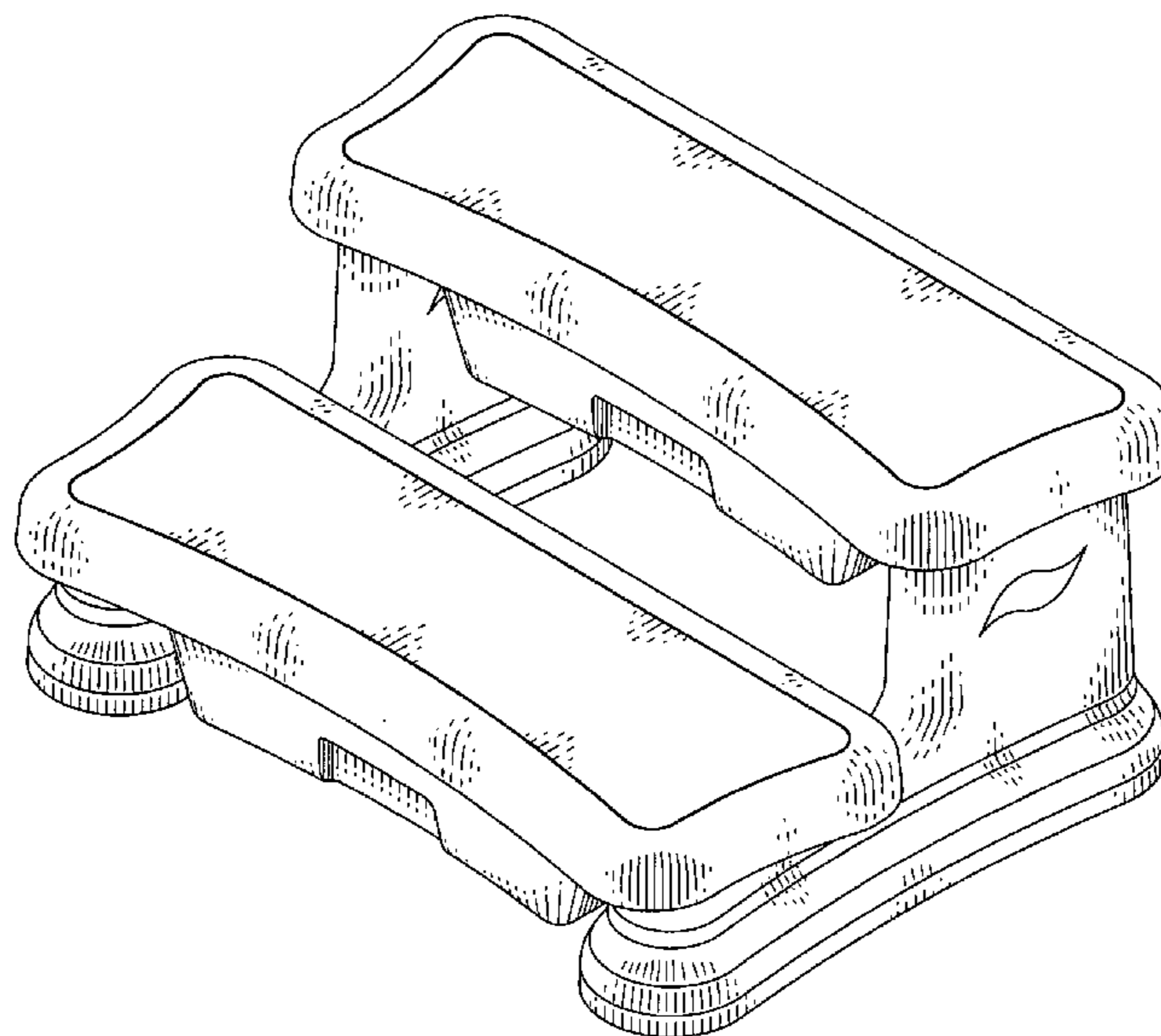
FIG. 15 is a right side elevation view thereof;

FIG. 16 is a right, front perspective view of a fourth embodiment of a spa step assembly;

FIG. 17 is a left, front perspective view thereof; and,

FIG. 18 is a top plan view thereof.

1 Claim, 18 Drawing Sheets



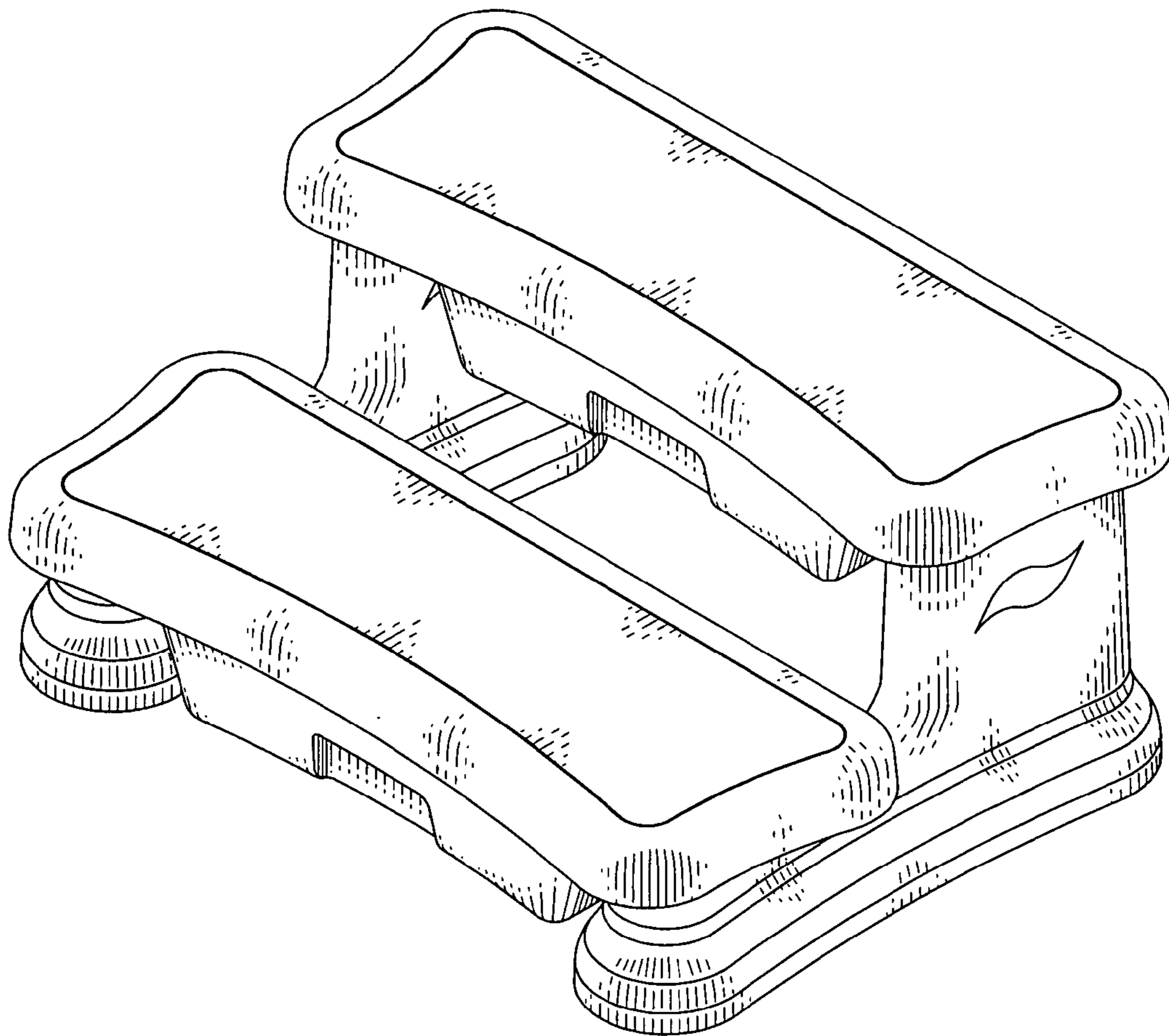


Fig. 1

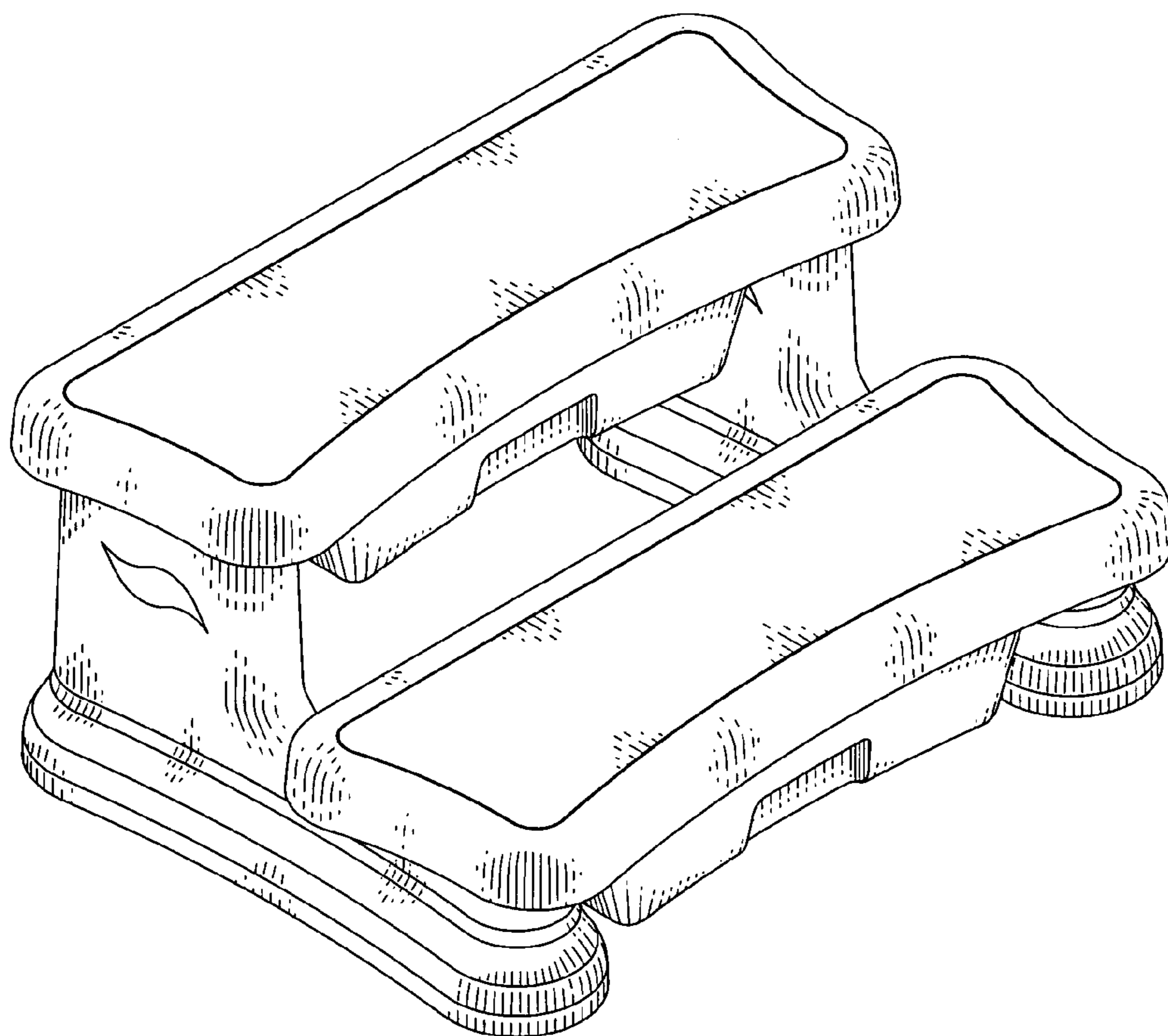


Fig. 2

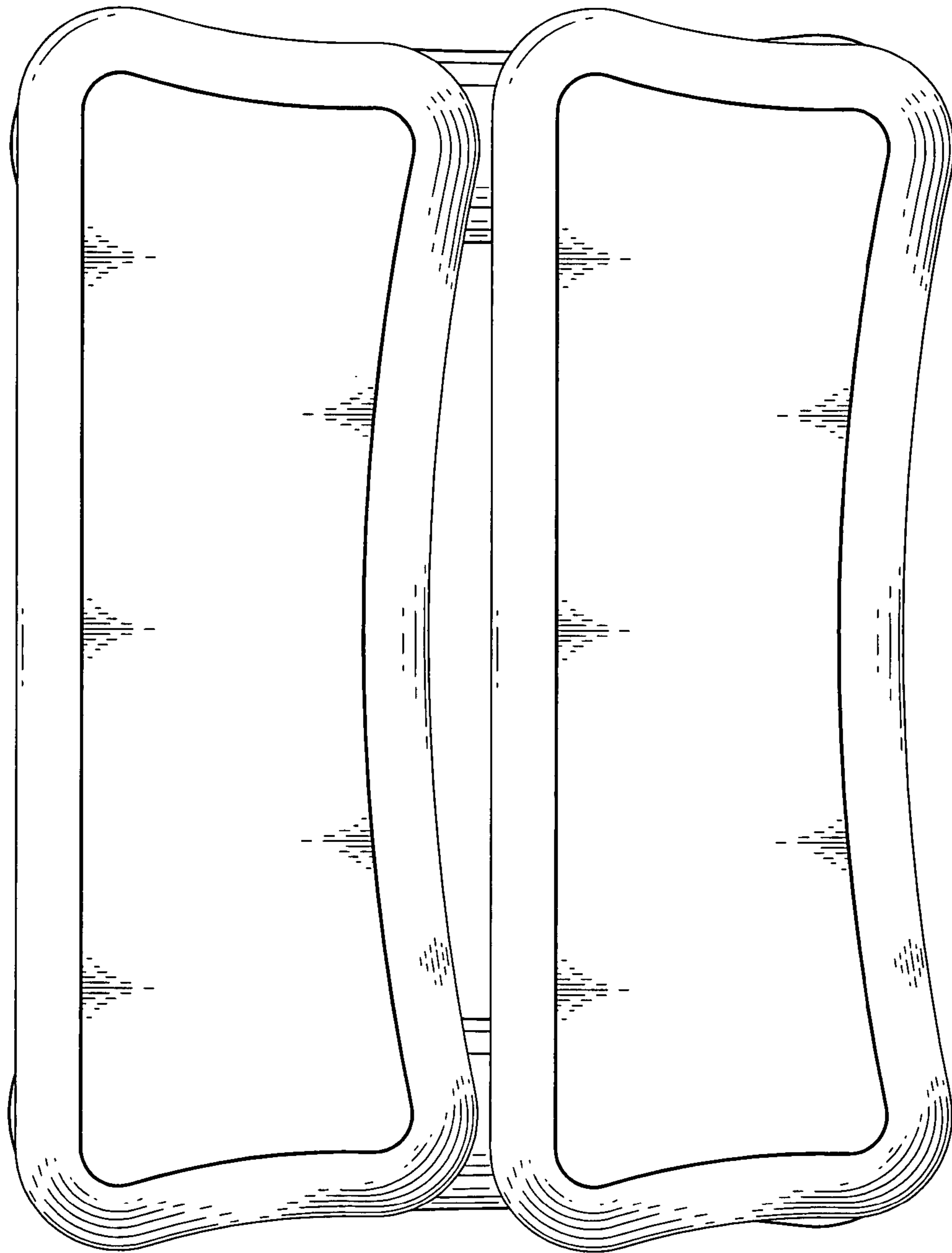


Fig. 3

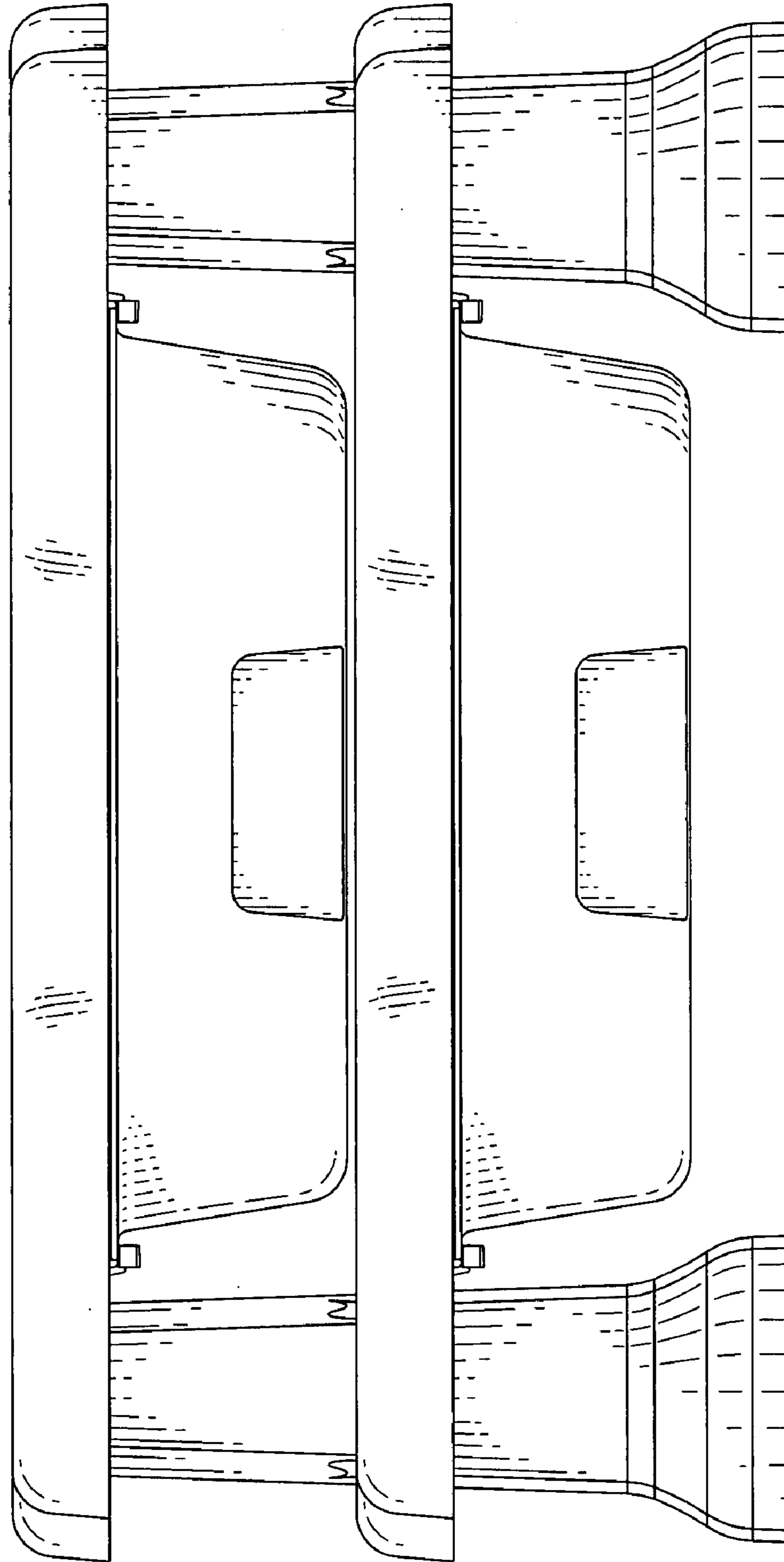


Fig. 4

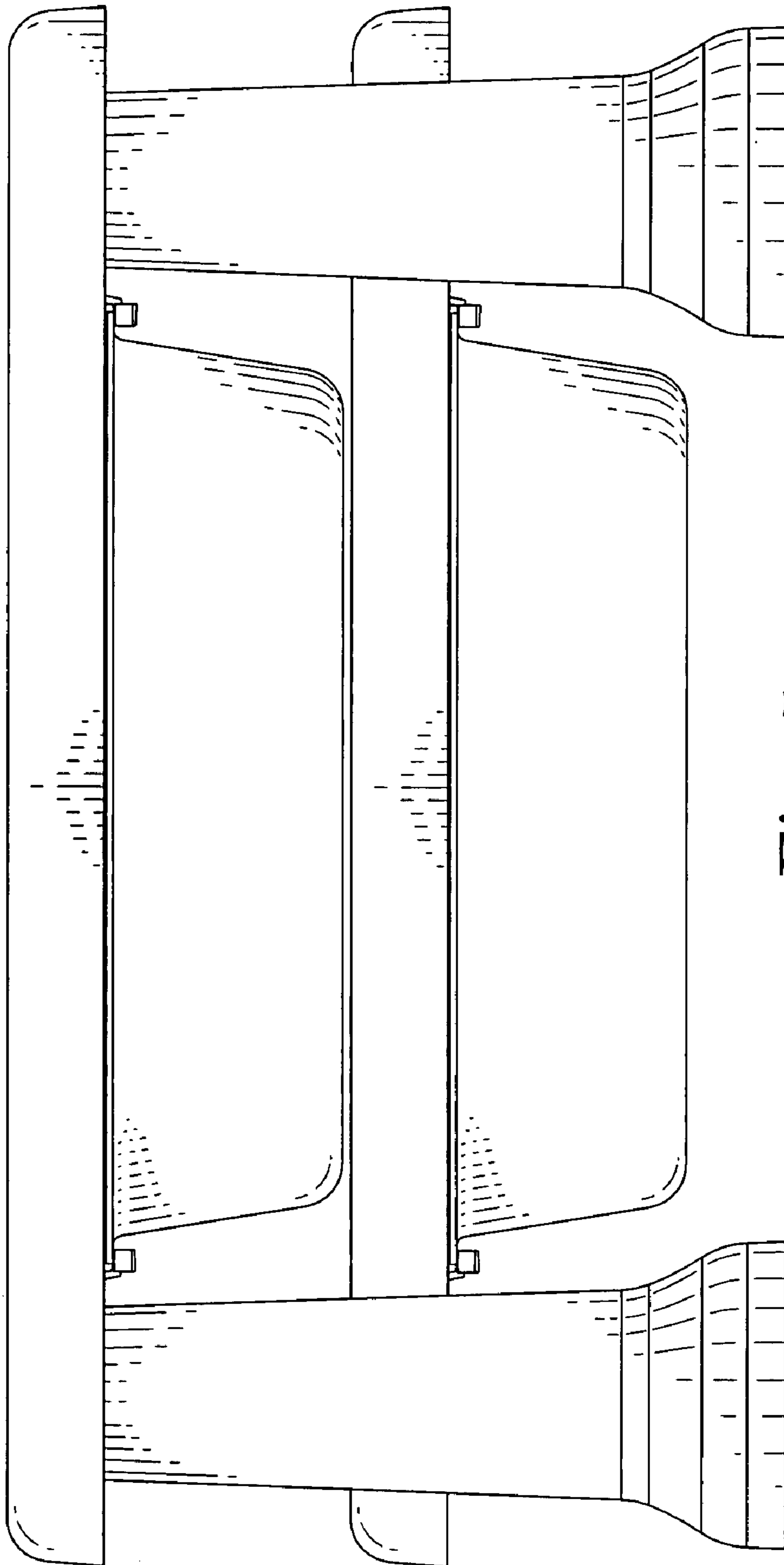


Fig. 5

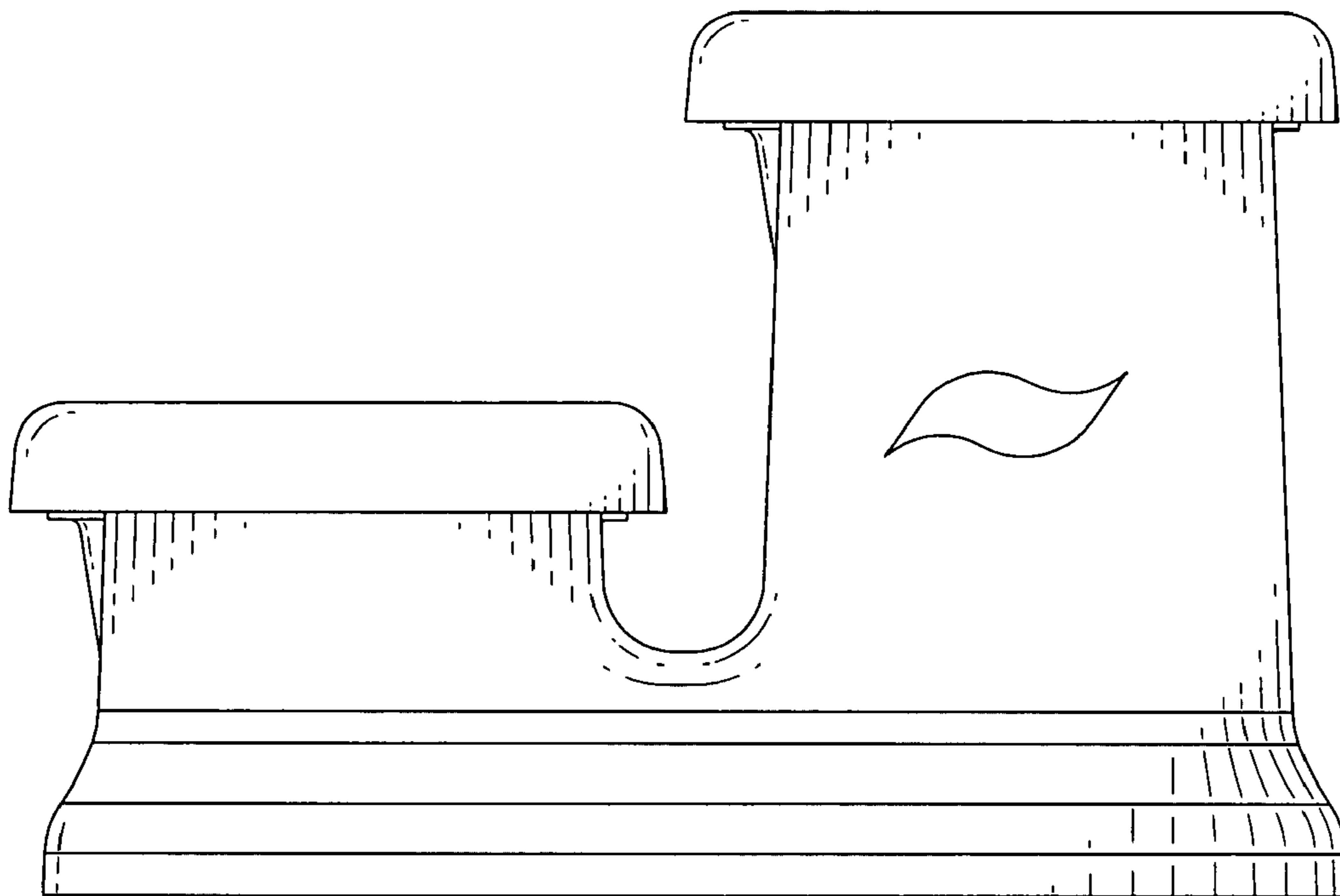


Fig. 6

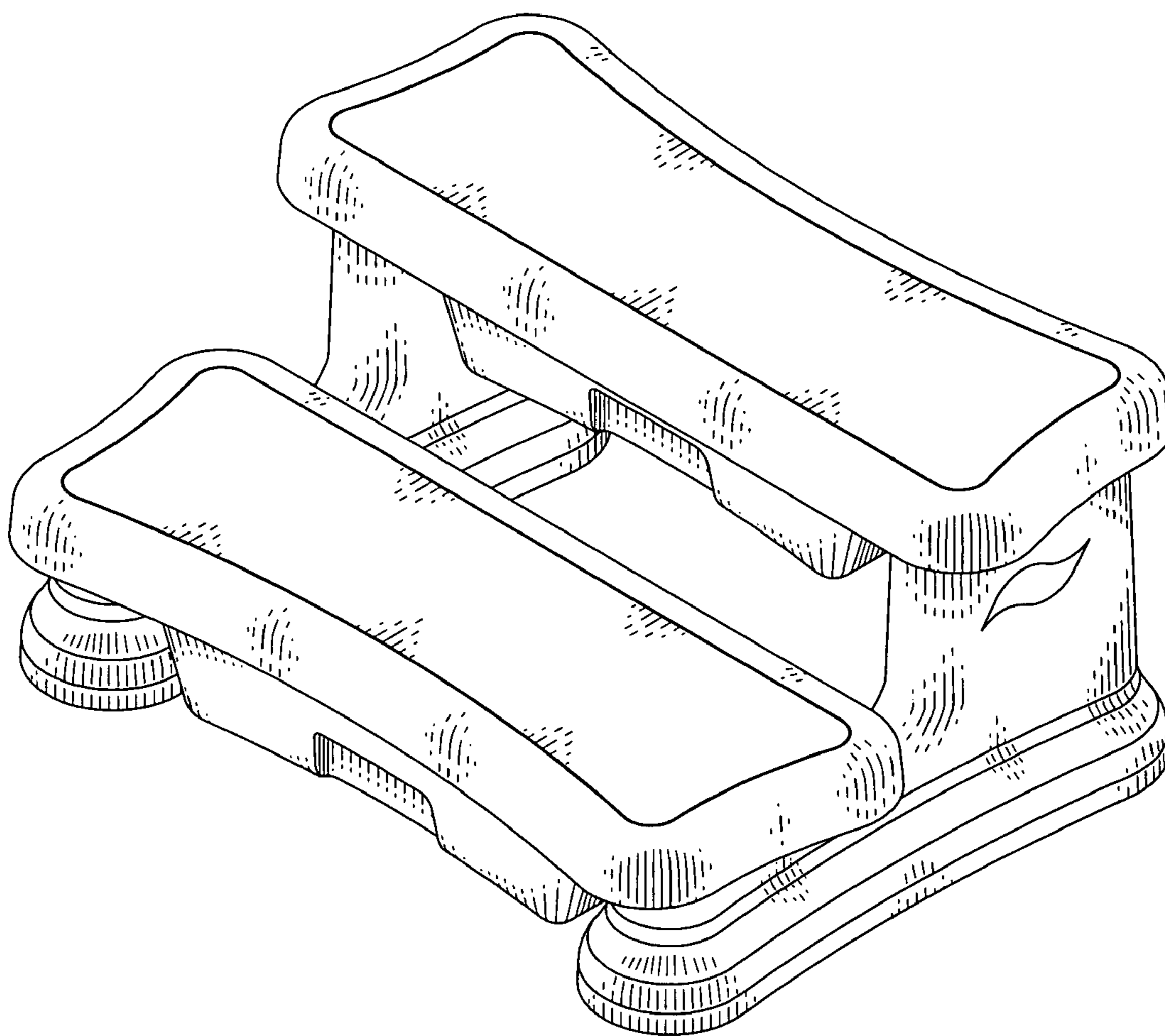


Fig. 7

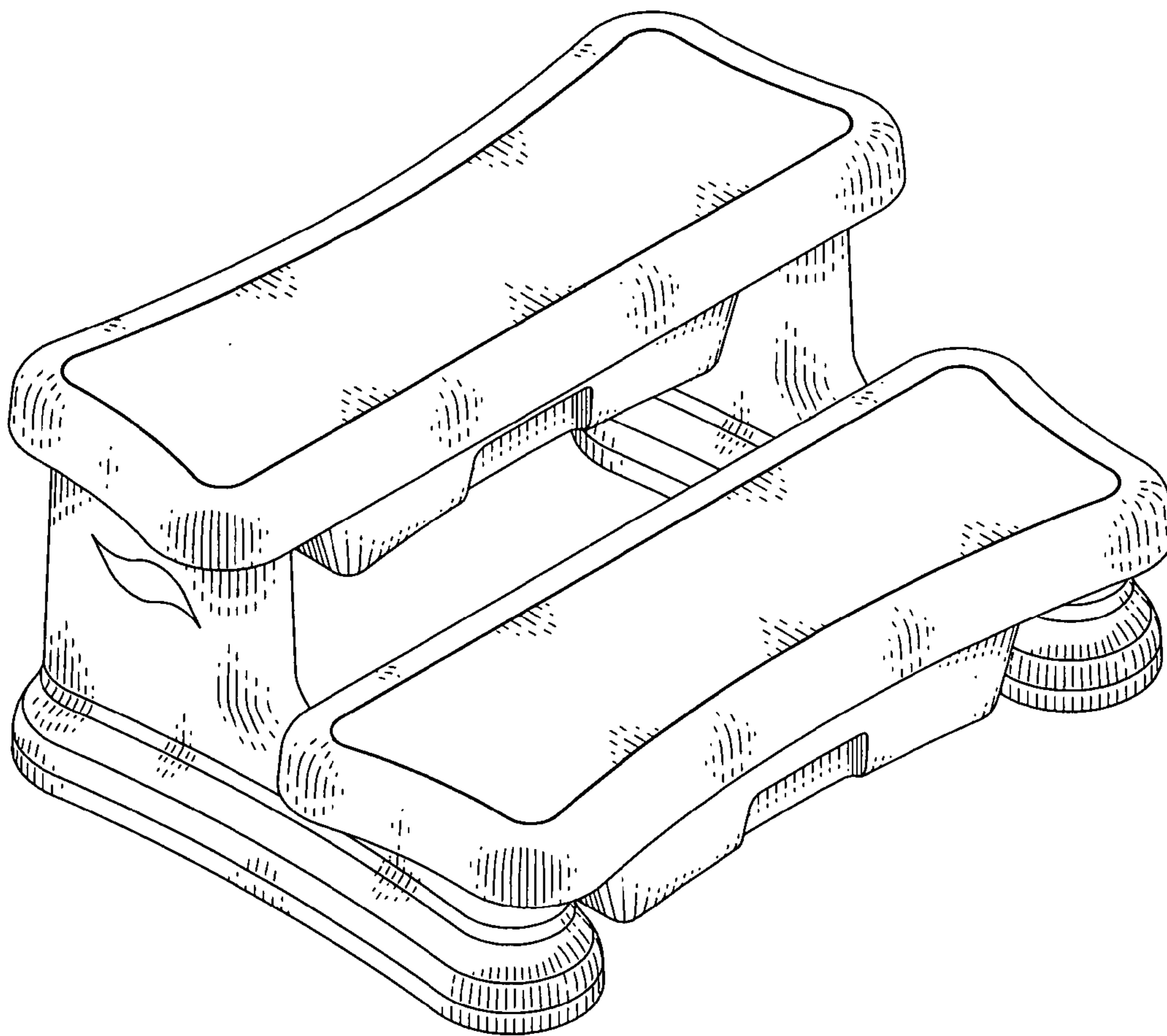


Fig. 8

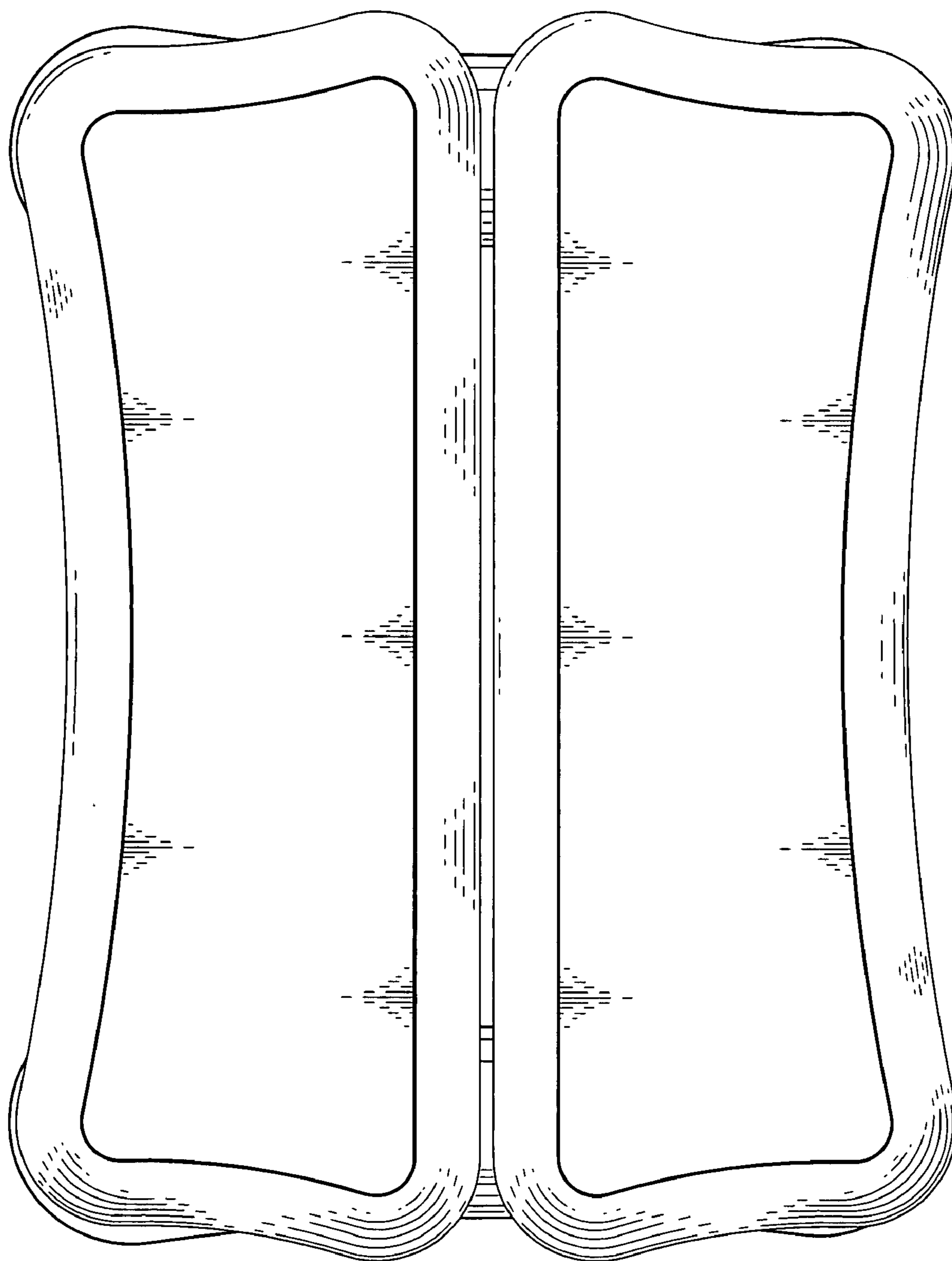


Fig. 9

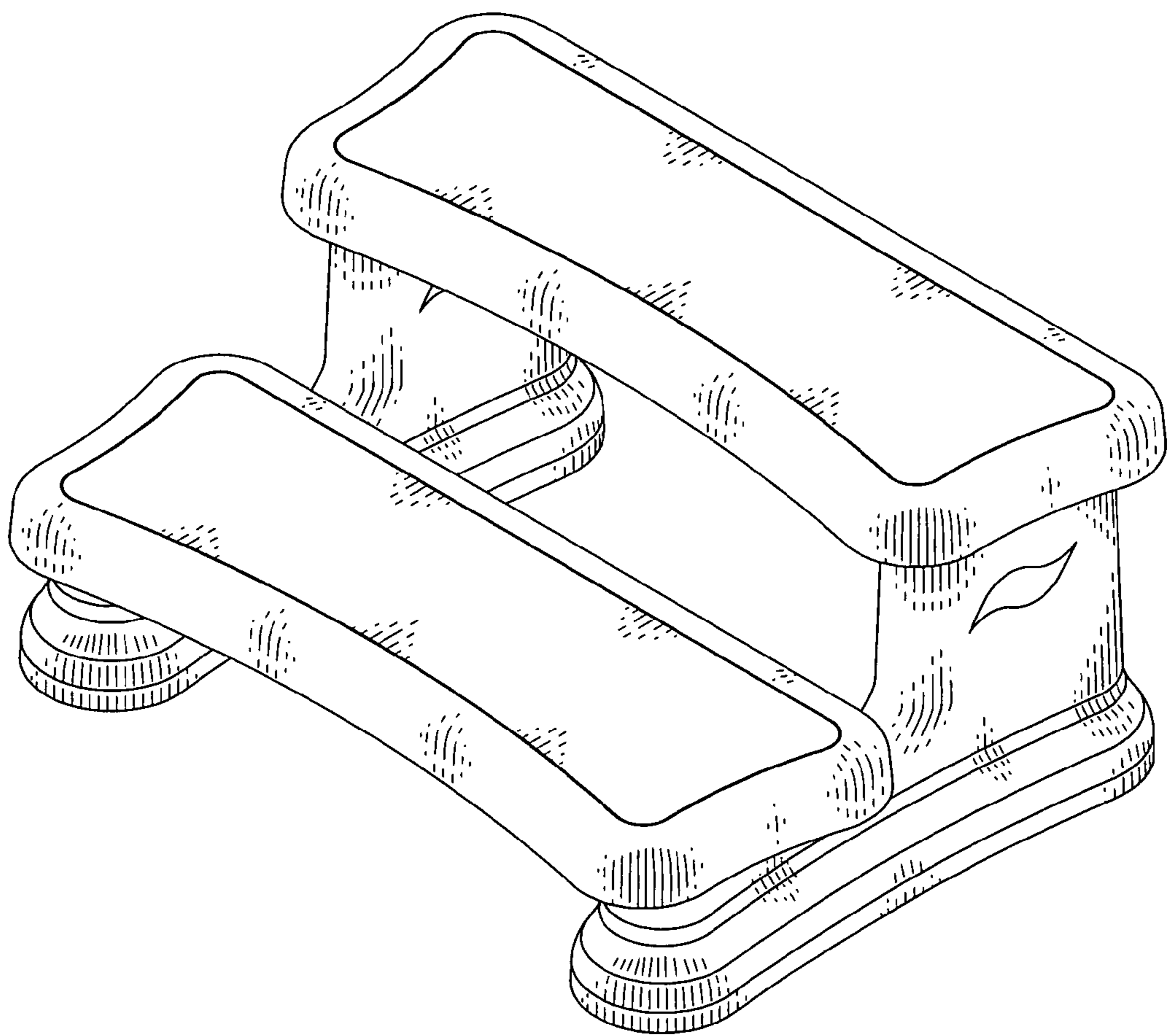


Fig. 10

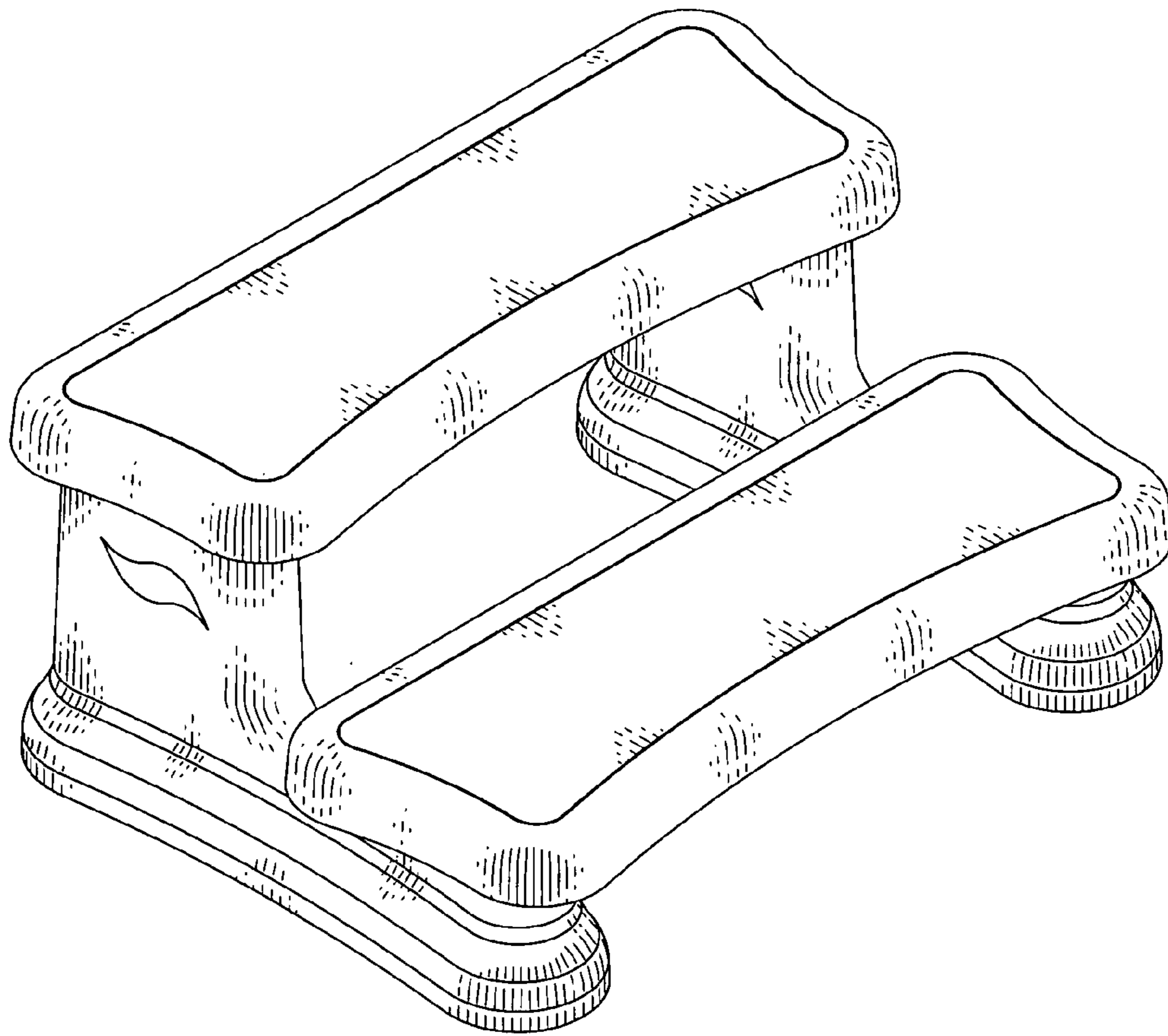


Fig. 11

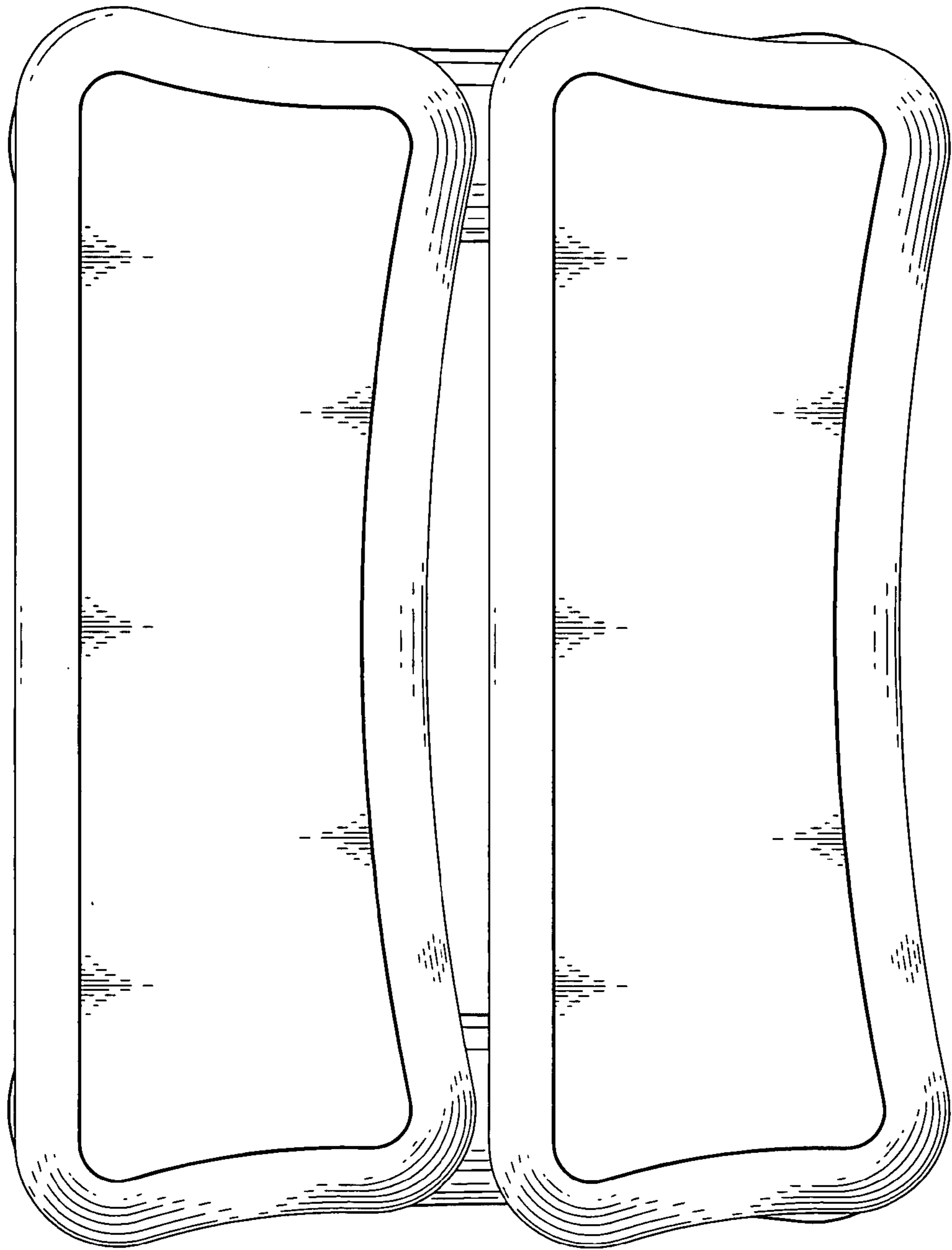


Fig. 12

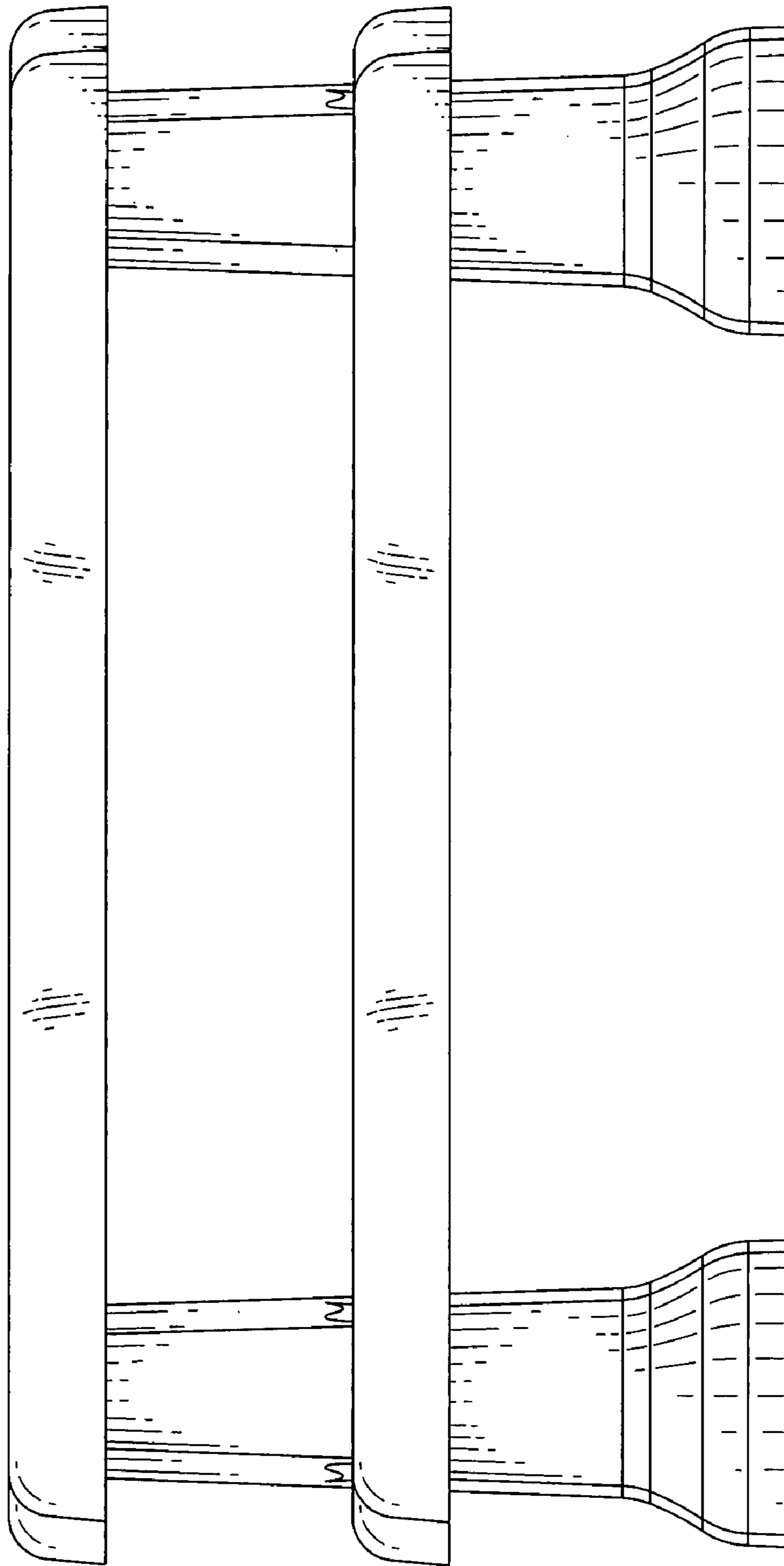


Fig. 13

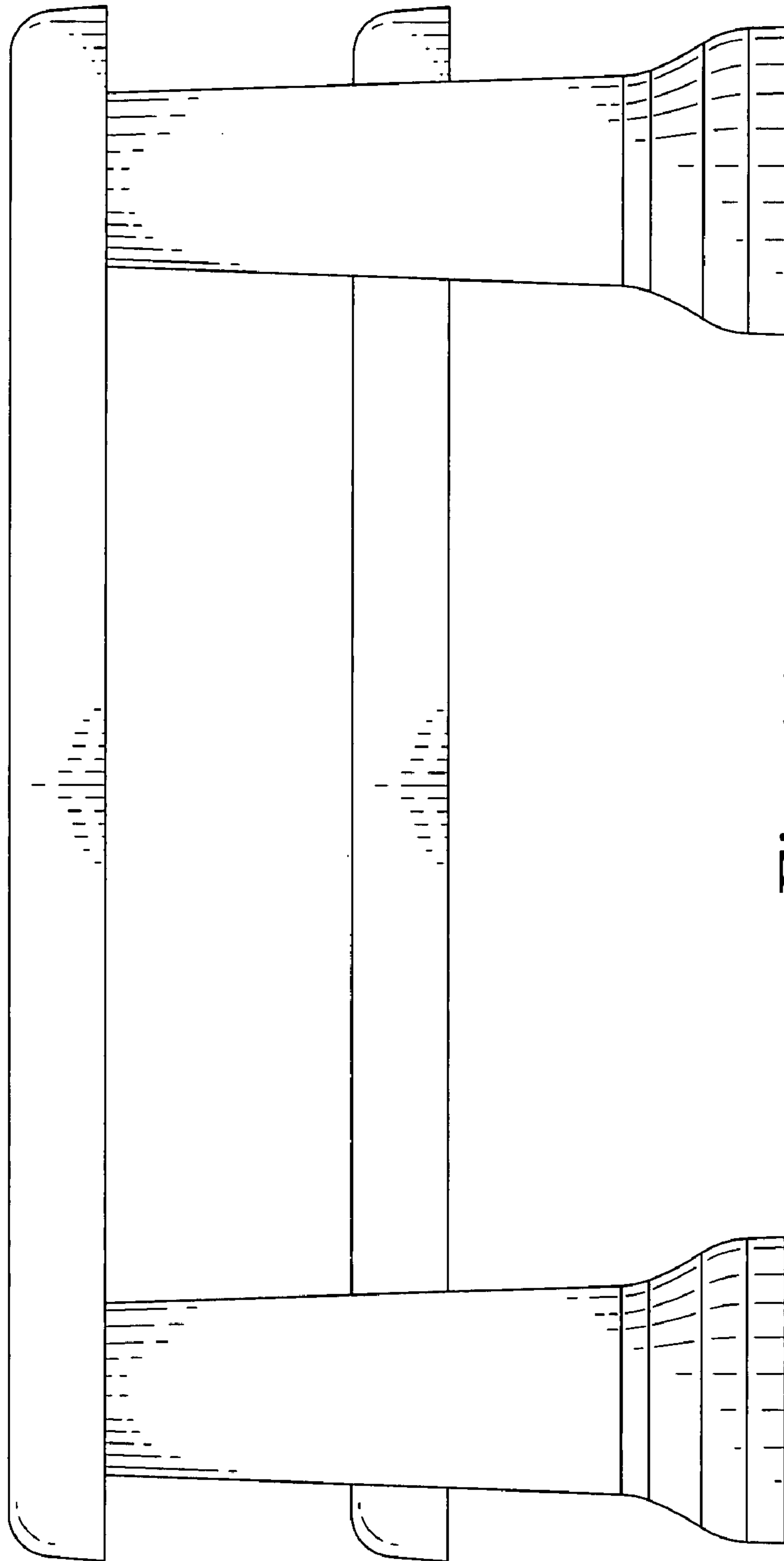


Fig. 14

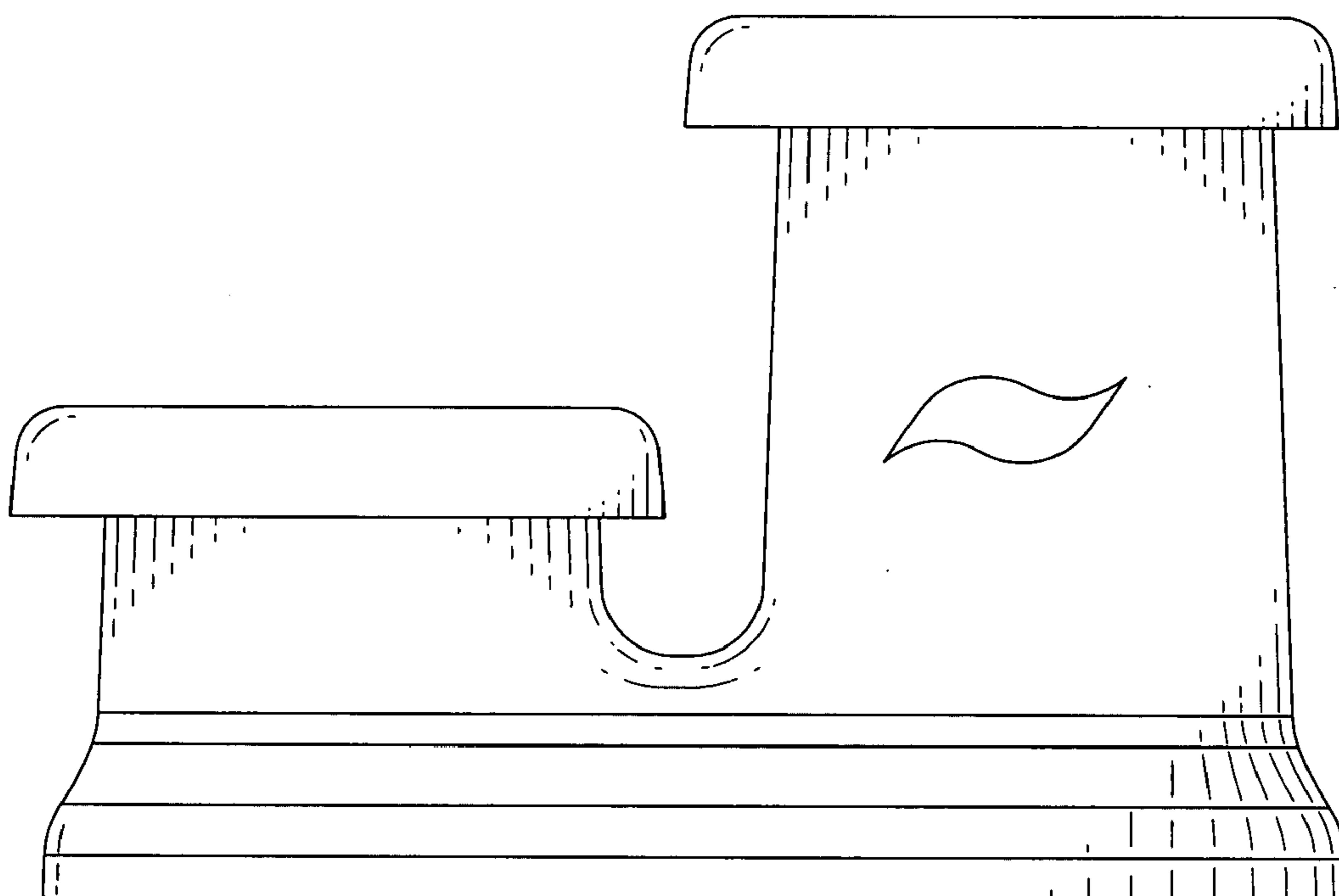


Fig. 15

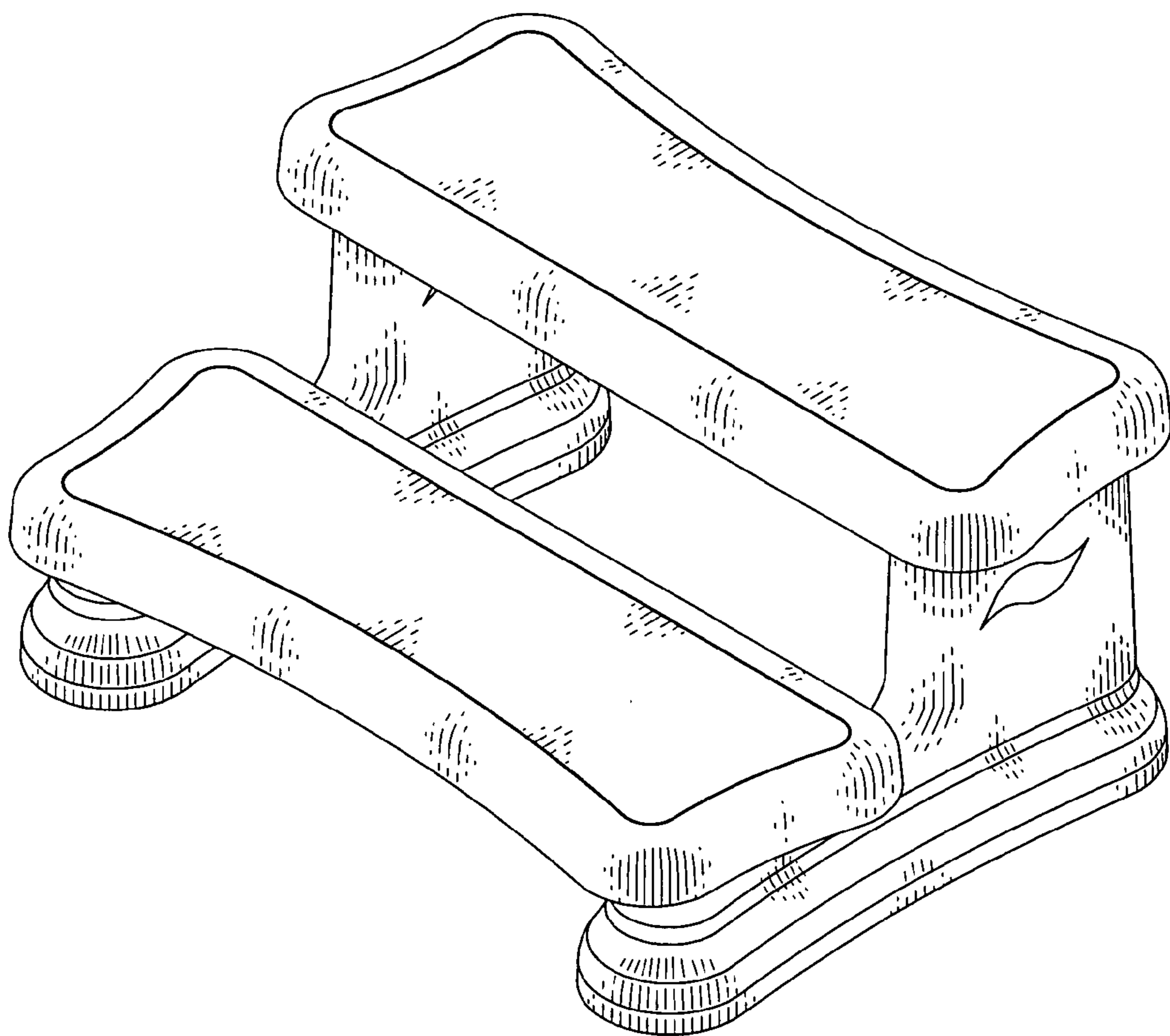


Fig. 16

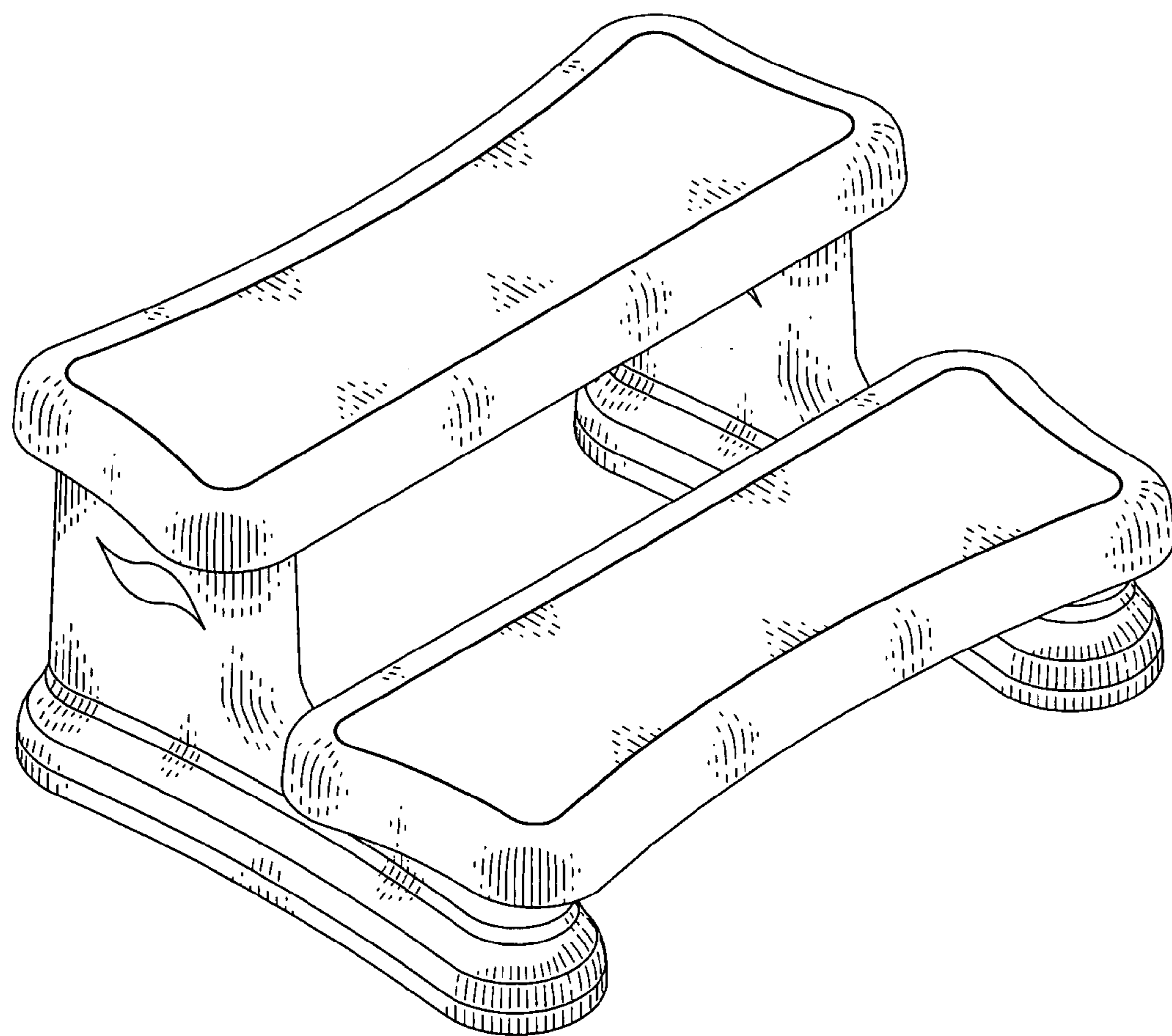


Fig. 17

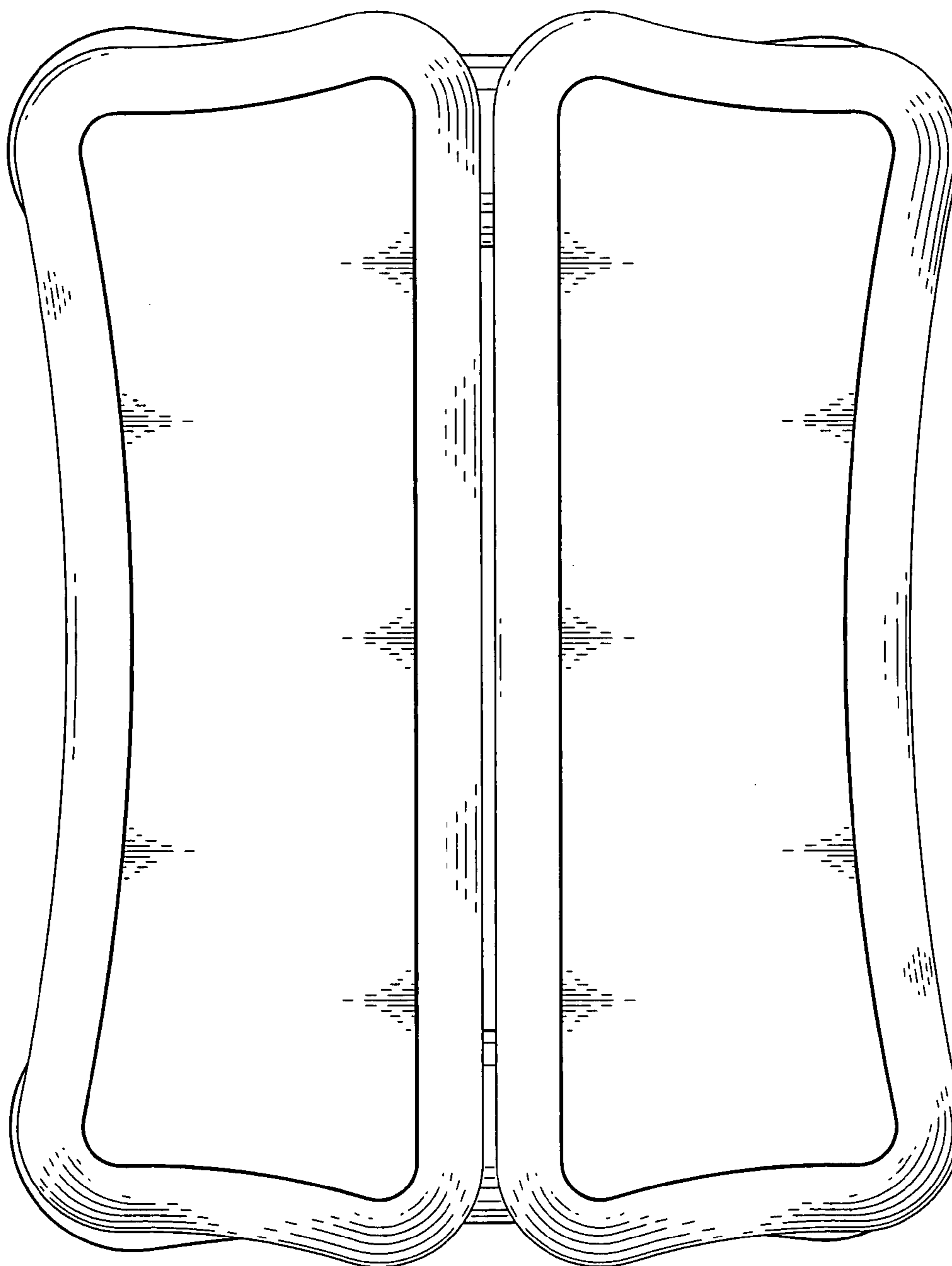


Fig. 18