



US00D550362S

(12) **United States Design Patent**
Olivera et al.

(10) **Patent No.:** **US D550,362 S**

(45) **Date of Patent:** **** Sep. 4, 2007**

(54) **SURGICAL CONSOLE**

(75) Inventors: **Argelio M. Olivera**, Mission Viejo, CA (US); **Mark J. Forchette**, Colleyville, TX (US); **John C. Huculak**, Mission Viejo, CA (US); **Roger Thomas**, Tustin, CA (US); **David Weston**, Newport Beach, CA (US); **Russell L. Finlay**, Chesterfield, MO (US)

(73) Assignee: **Alcon, Inc.**, Hunenberg (CH)

(**) Term: **14 Years**

(21) Appl. No.: **29/263,638**

(22) Filed: **Jul. 26, 2006**

(51) **LOC (8) Cl.** **24-02**

(52) **U.S. Cl.** **D24/185**

(58) **Field of Classification Search** D24/107-108, D24/111, 144, 167, 169, 172, 185-186, 216; D13/163; D34/14, 302; 600/103-104, 443; 604/4, 19, 22, 66, 93, 131-133; 606/32, 606/34, 41

See application file for complete search history.

(56) **References Cited**

U.S. PATENT DOCUMENTS

D367,534 S * 2/1996 DiPerna et al. D24/169
D387,168 S * 12/1997 Edelman et al. D24/186

D389,917 S * 1/1998 Hornback et al. D24/185
D410,544 S * 6/1999 Metzler et al. D24/172
D438,952 S * 3/2001 Cimino et al. D24/107
D467,001 S * 12/2002 Buczek et al. D24/172
6,626,445 B2 * 9/2003 Murphy et al. 606/34
D486,915 S * 2/2004 Warschewske et al. D34/14
D525,592 S * 7/2006 Nguyen D13/163
D544,103 S * 6/2007 Meziere D24/216

* cited by examiner

Primary Examiner—Robert A. Delehanty

Assistant Examiner—Mark Cavanna

(74) *Attorney, Agent, or Firm*—Jeffrey S. Schira

(57) **CLAIM**

The ornamental design for surgical console, as shown and described.

DESCRIPTION

FIG. 1 is a front, right perspective view of the surgical console showing our new design;

FIG. 2 is a top view thereof;

FIG. 3 is a bottom view thereof;

FIG. 4 is a right side view thereof;

FIG. 5 is a left side view thereof;

FIG. 6 is a back view thereof; and,

FIG. 7 is a front view thereof.

1 Claim, 4 Drawing Sheets

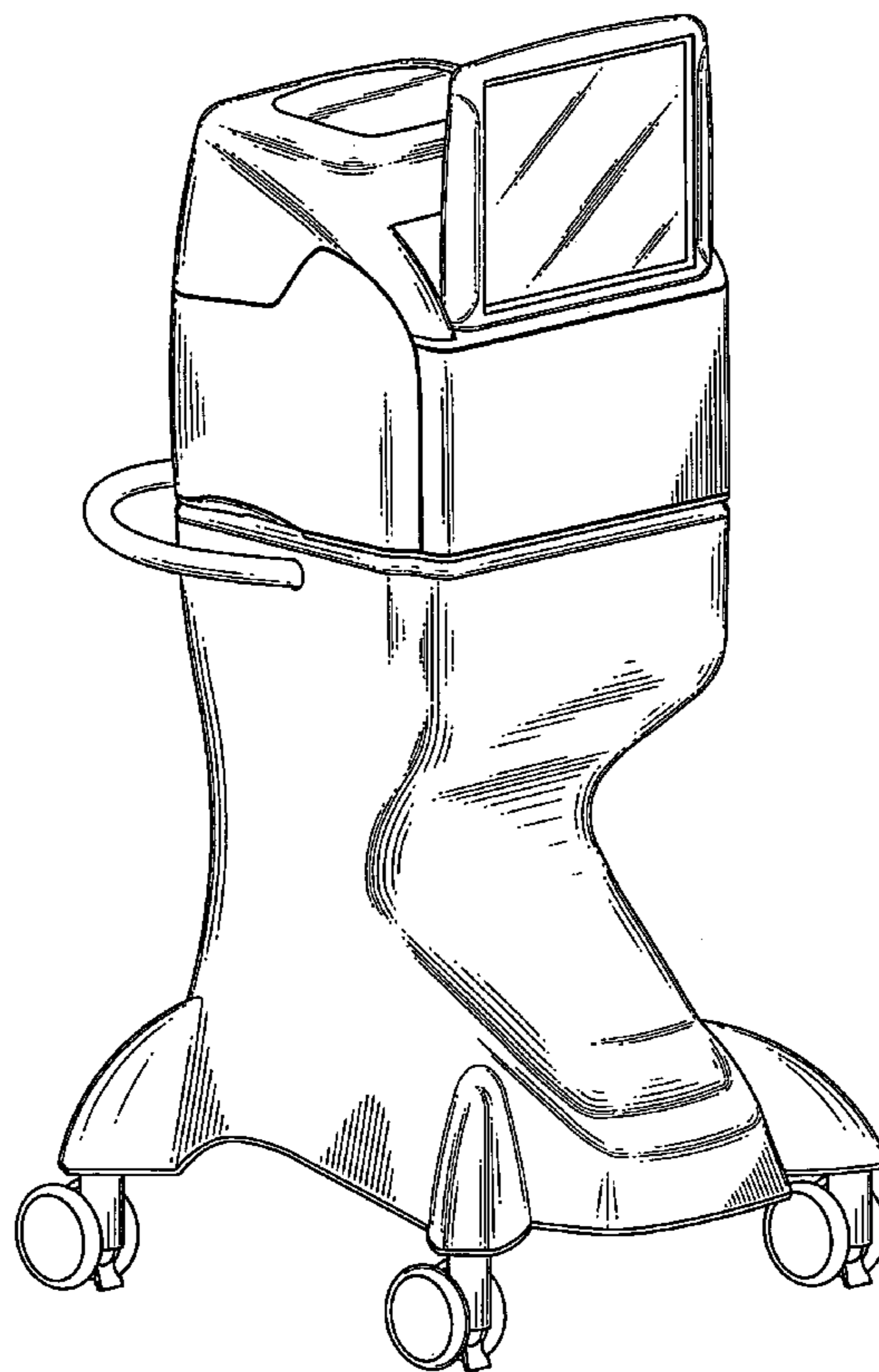


Fig. 1

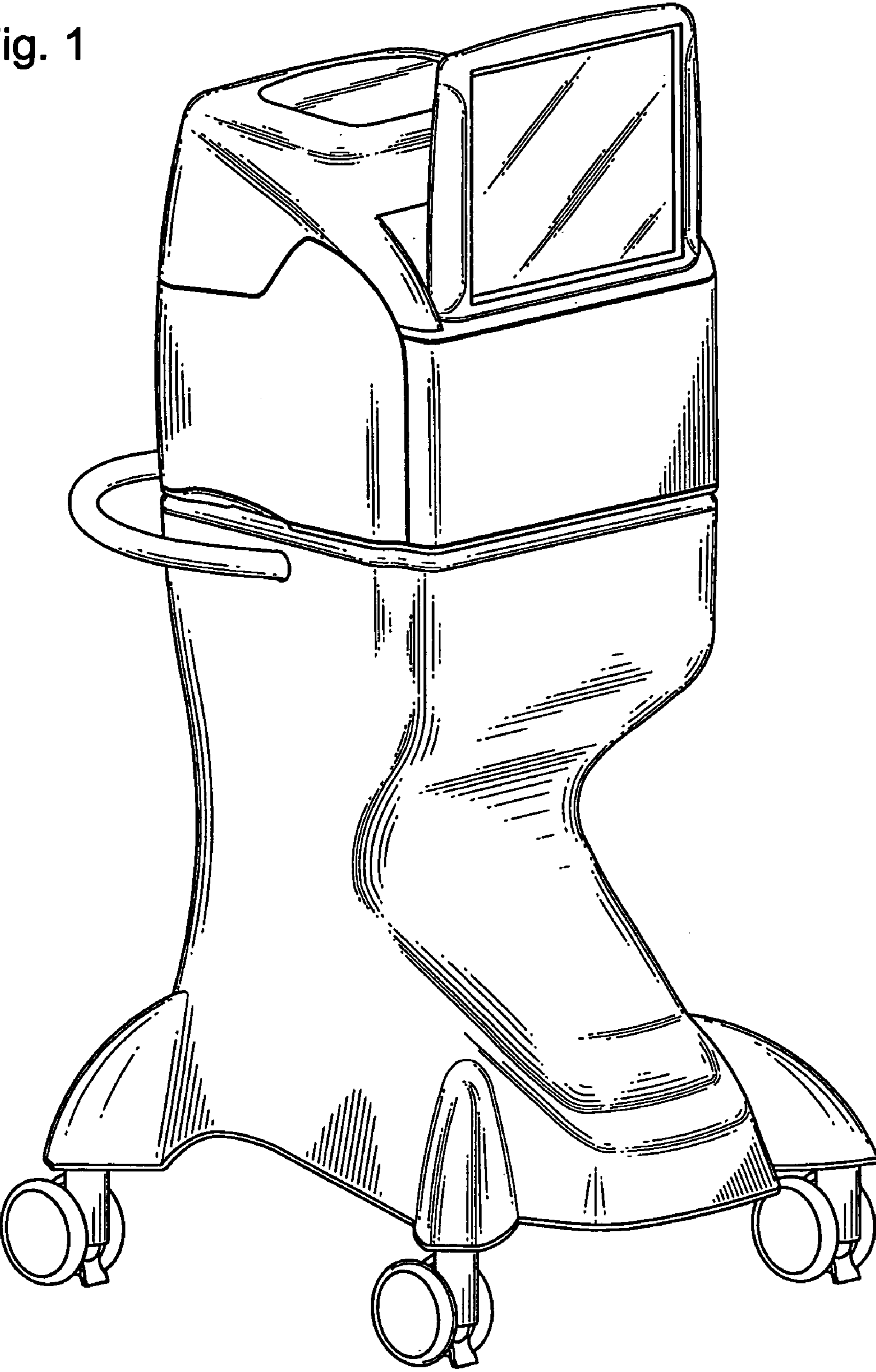


Fig. 2

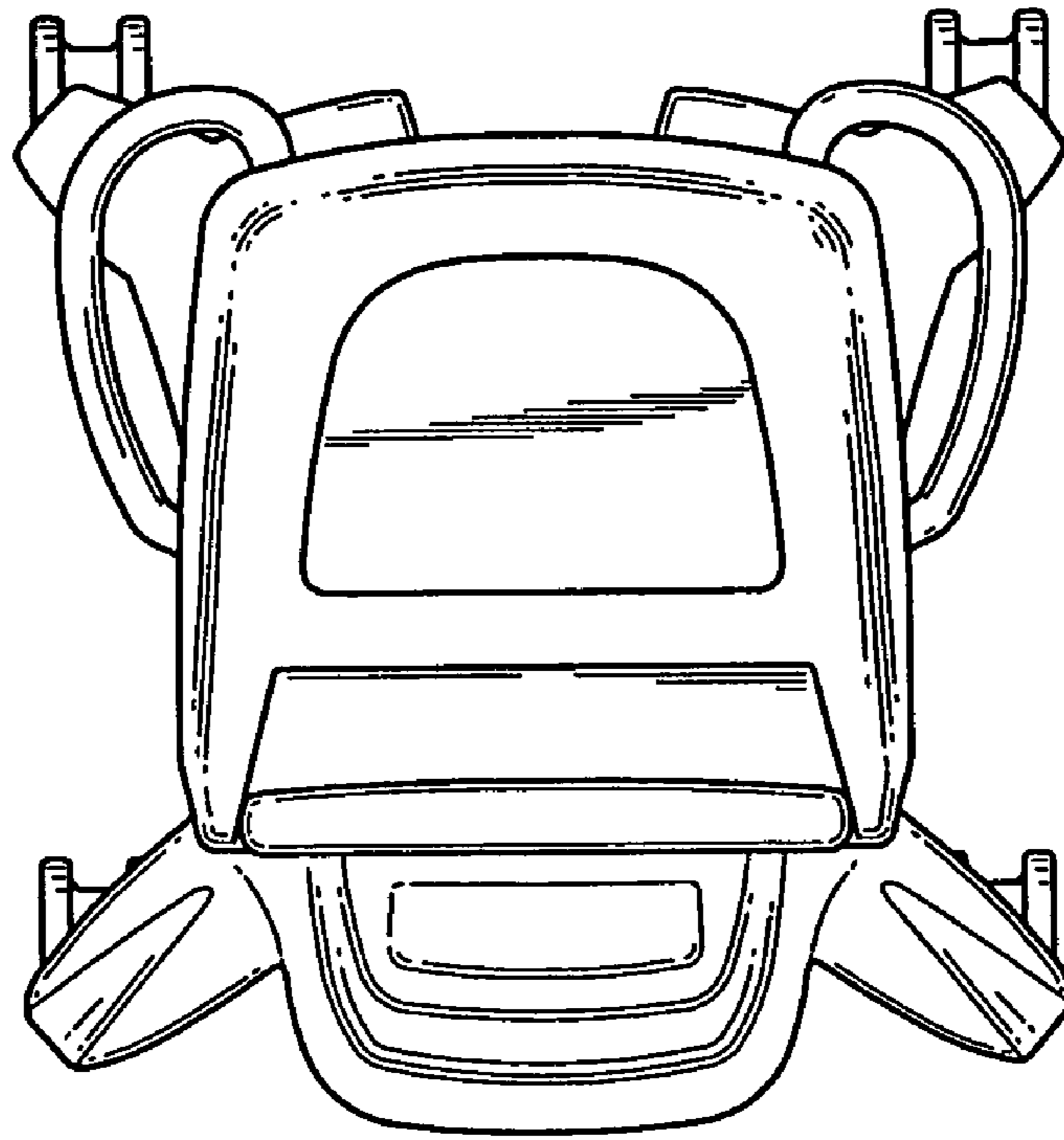
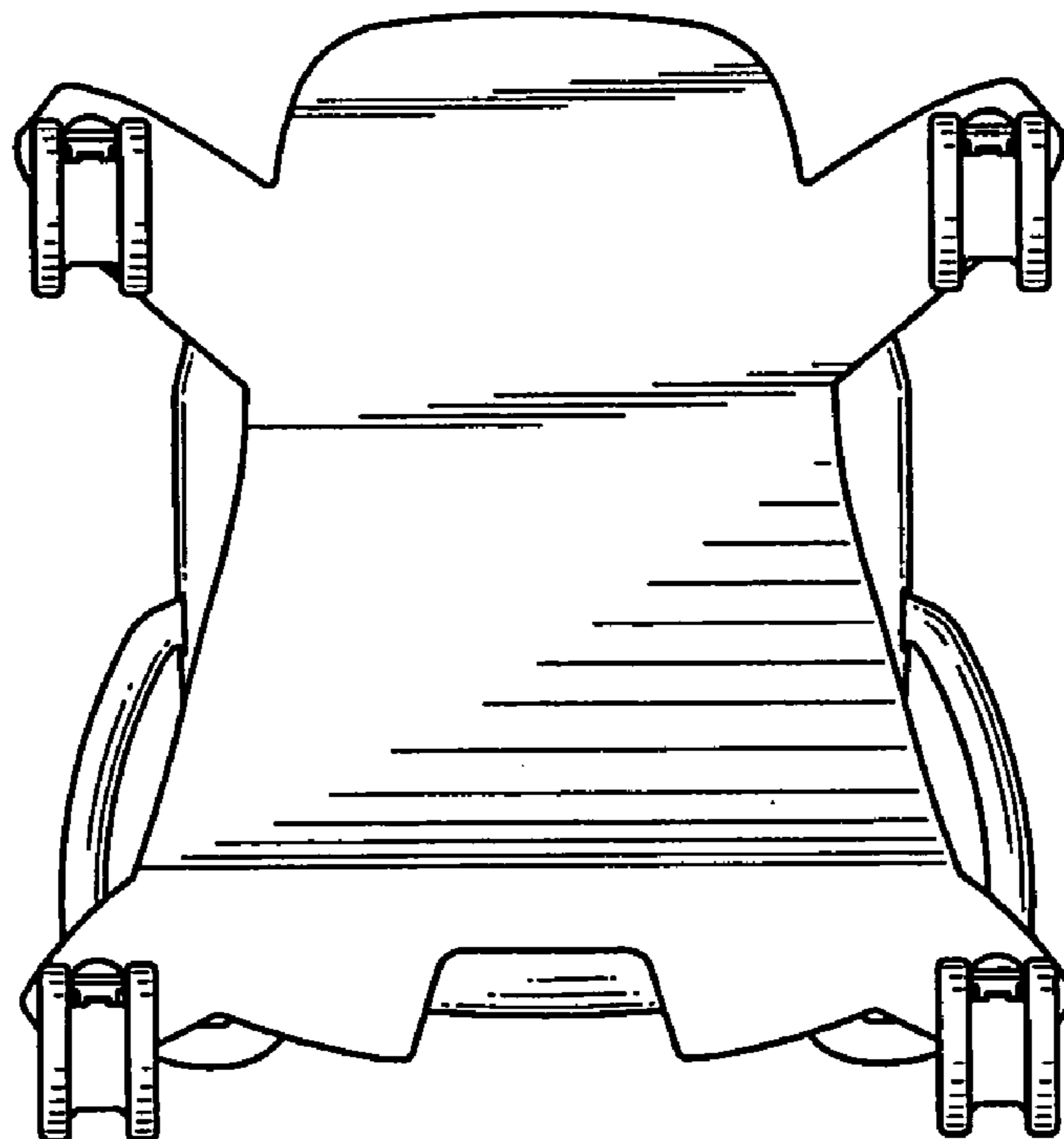


Fig. 3



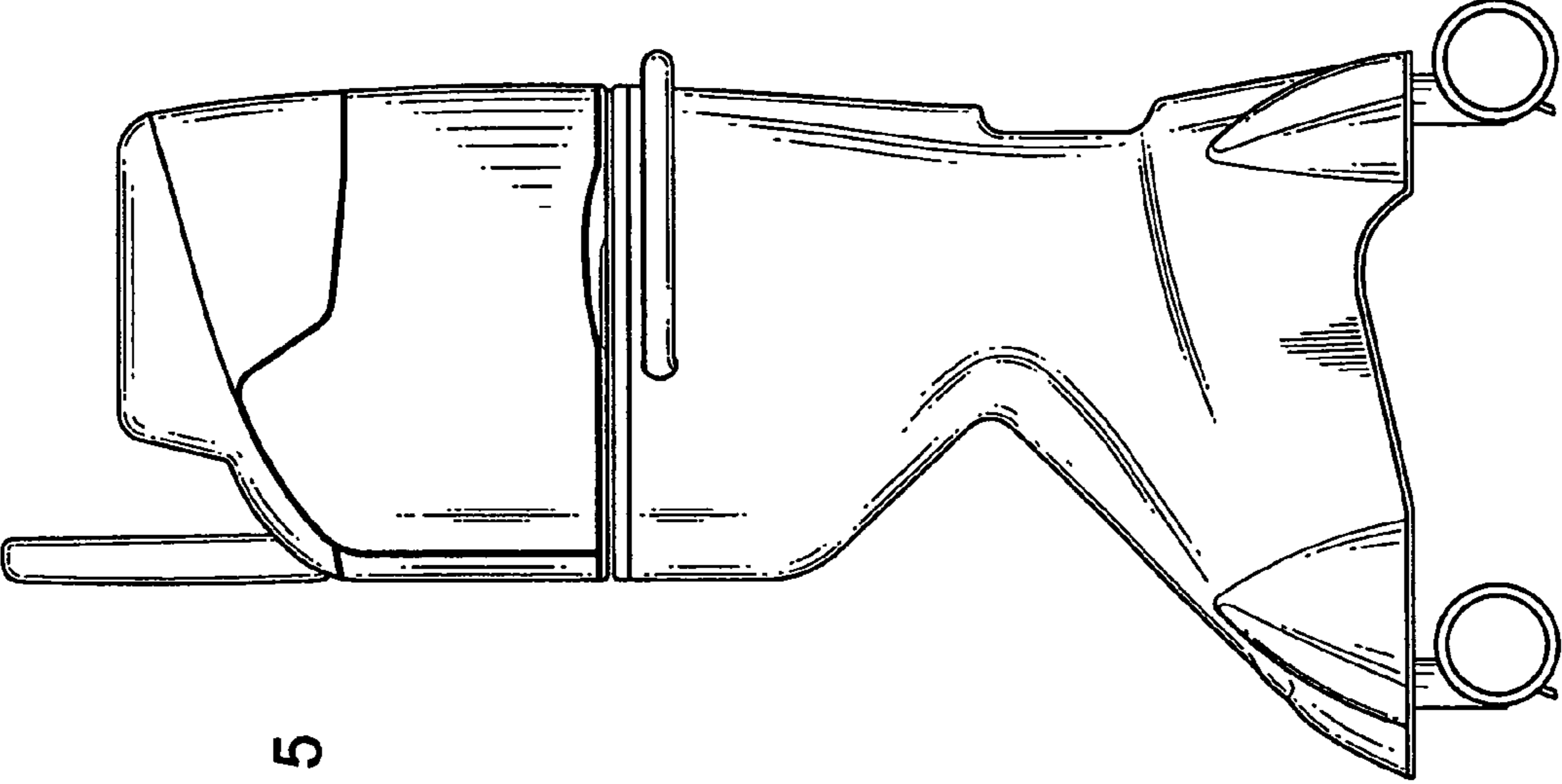


Fig. 5

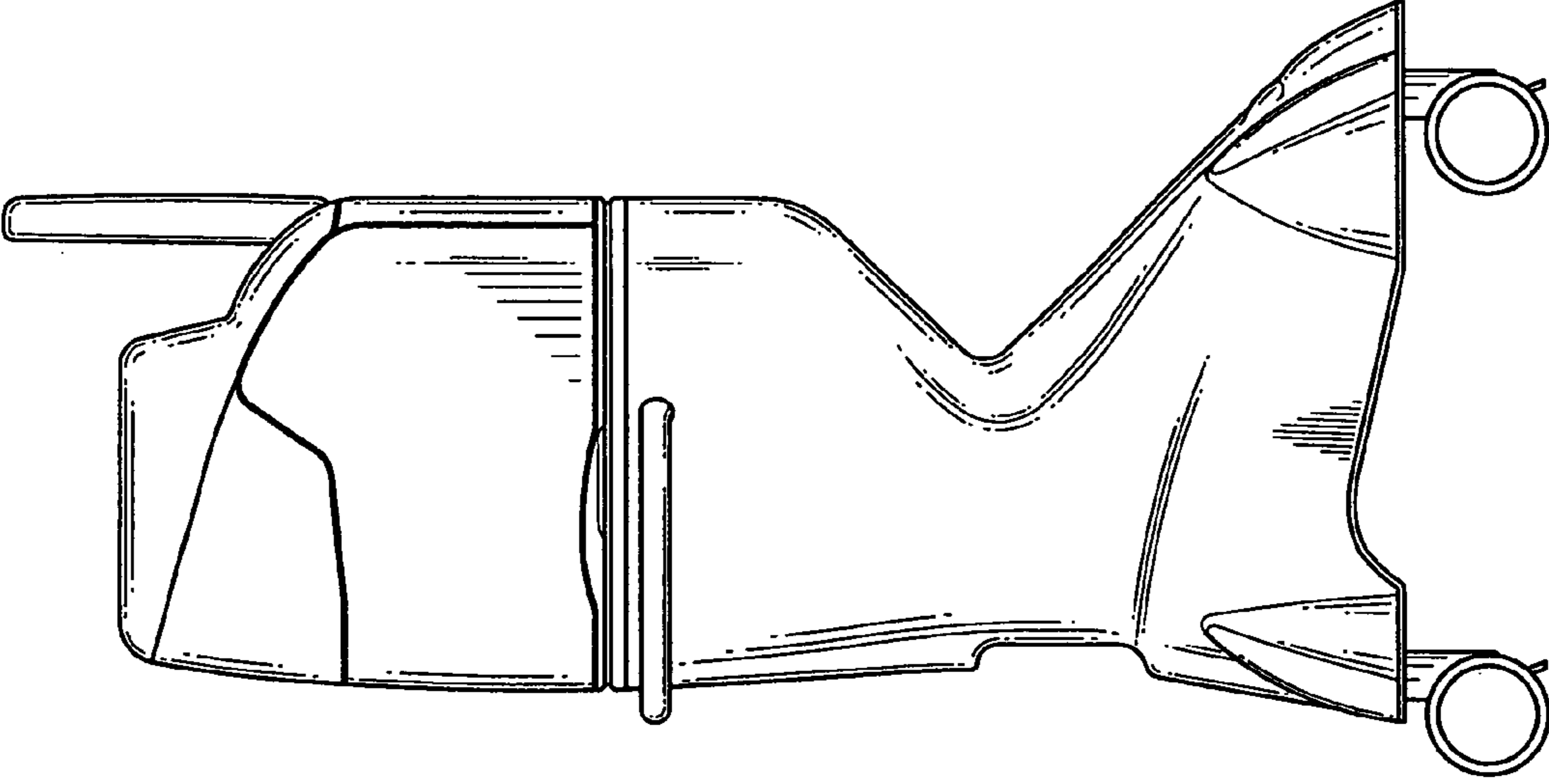


Fig. 4

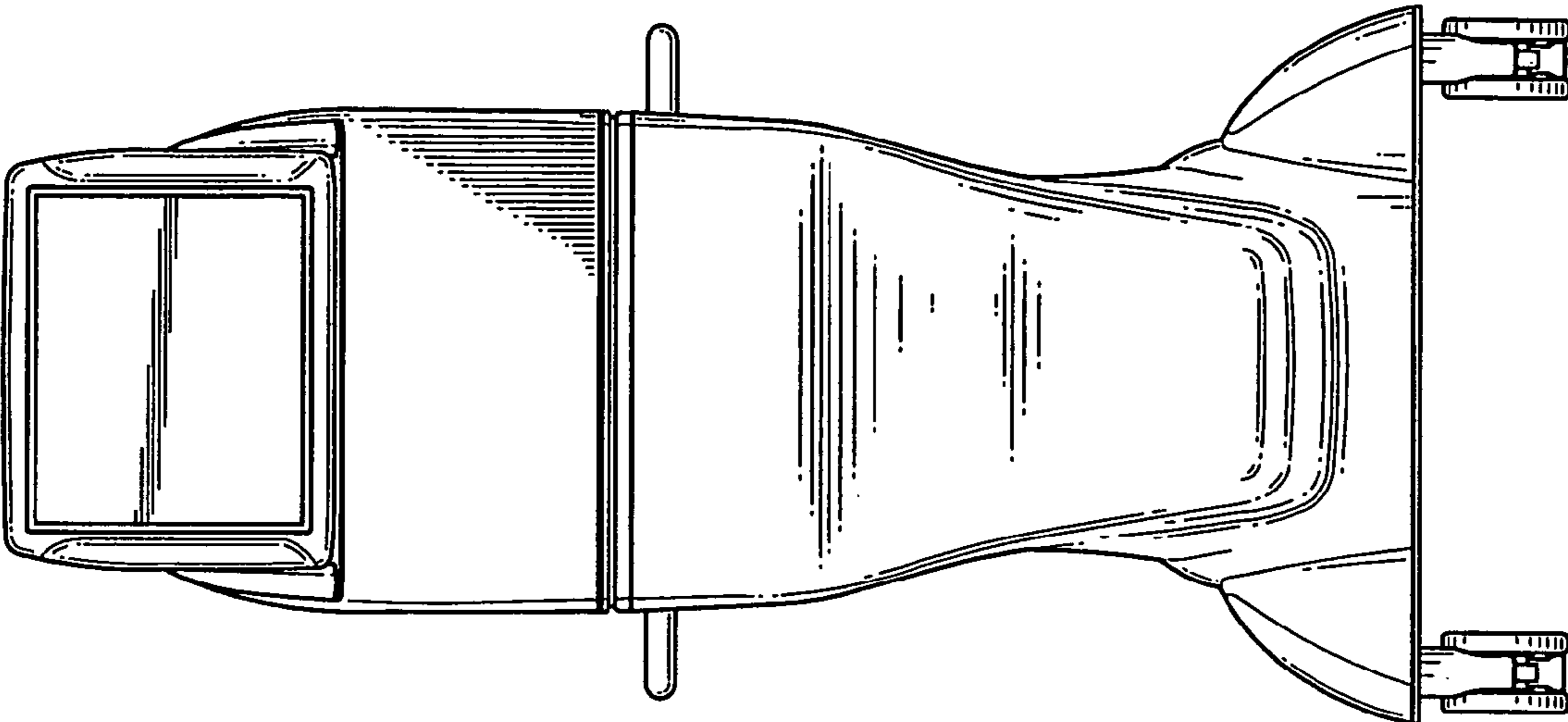


Fig. 7

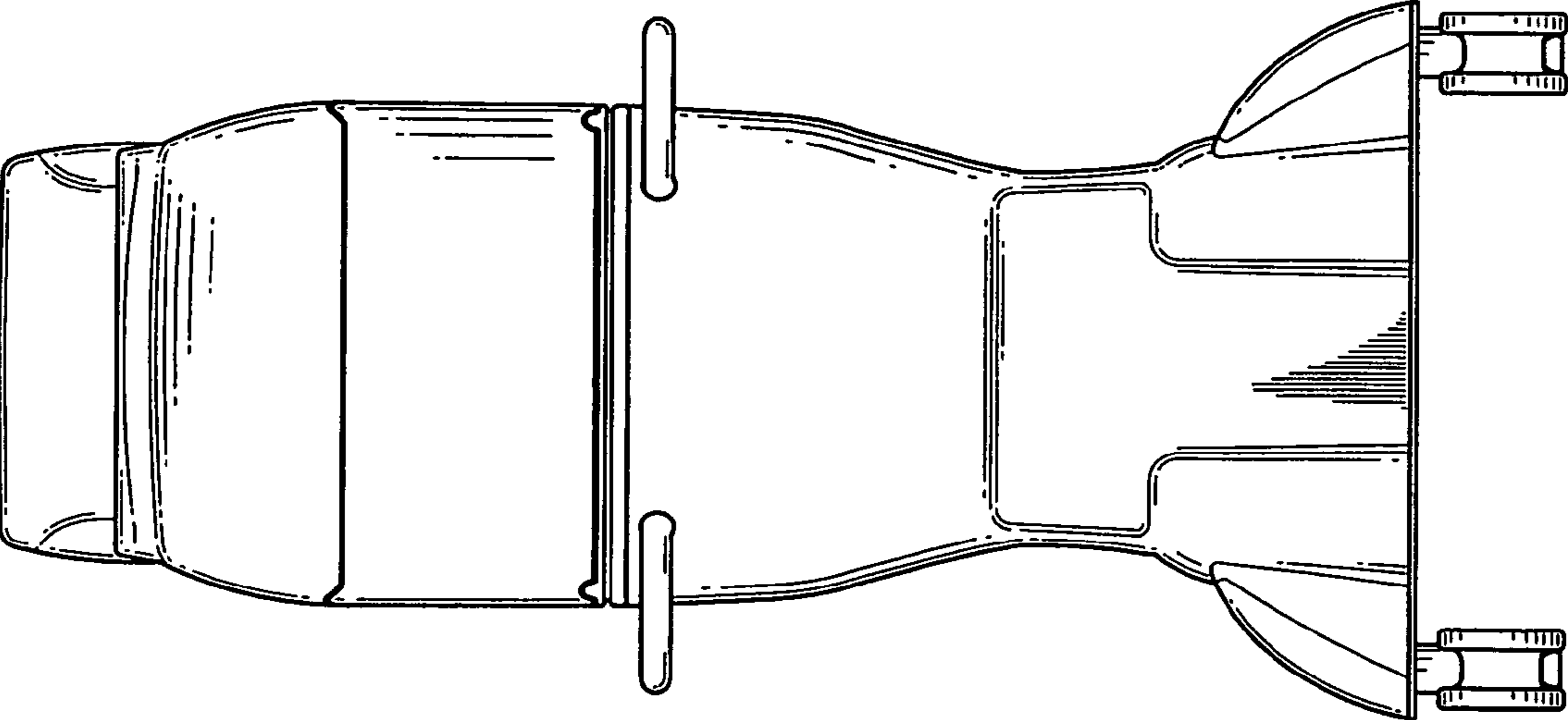


Fig. 6