



US00D550361S

(12) **United States Design Patent**  
**Cartwright**

(10) **Patent No.:** **US D550,361 S**

(45) **Date of Patent:** **\*\* Sep. 4, 2007**

(54) **FOLDABLE INCLINED PLATFORM**

(76) **Inventor:** **Paul H. Cartwright**, 467 W. Main St.,  
Forest City, NC (US) 28043-2920

(\*\*) **Term:** **14 Years**

(21) **Appl. No.:** **29/260,565**

(22) **Filed:** **May 26, 2006**

**Related U.S. Application Data**

(63) Continuation-in-part of application No. 29/212,477,  
filed on Sep. 1, 2004, now Pat. No. Des. 522,143.

(51) **LOC (8) Cl.** ..... **24-01**

(52) **U.S. Cl.** ..... **D24/183**

(58) **Field of Classification Search** ..... D24/183;  
D6/382-383, 391-393; 5/600, 602, 620;  
108/36, 115, 132; 482/142  
See application file for complete search history.

(56) **References Cited**

**U.S. PATENT DOCUMENTS**

3,043,591	A *	7/1962	Seliner	.....	482/142
4,333,638	A *	6/1982	Gillotti	.....	108/36
4,833,998	A *	5/1989	Everett et al.	.....	108/36
4,856,497	A *	8/1989	Westphal	.....	D24/183
4,943,041	A	7/1990	Romein		
5,009,170	A *	4/1991	Spehar	.....	108/36
5,335,676	A *	8/1994	O'Brien	.....	5/620
5,524,555	A	6/1996	Fanuzzi		
5,676,062	A *	10/1997	Lloyd	.....	108/36
D392,741	S	3/1998	Blanchard et al.		

D403,772	S	1/1999	Fanuzzi		
6,000,345	A *	12/1999	Gillotti	.....	108/132
D463,563	S	9/2002	Schoenig et al.		
6,615,431	B2 *	9/2003	Lin	.....	5/620
6,684,426	B1 *	2/2004	Lin et al.	.....	5/620
6,705,234	B1 *	3/2004	Miller et al.	.....	108/36
D533,667	S *	12/2006	Roleder	.....	D24/183

\* cited by examiner

*Primary Examiner*—Louis Zarfaz

*Assistant Examiner*—Mark Cavanna

(74) *Attorney, Agent, or Firm*—Leatherwood Walker Todd  
& Mann, P.C.; Thomas W. Epting

(57) **CLAIM**

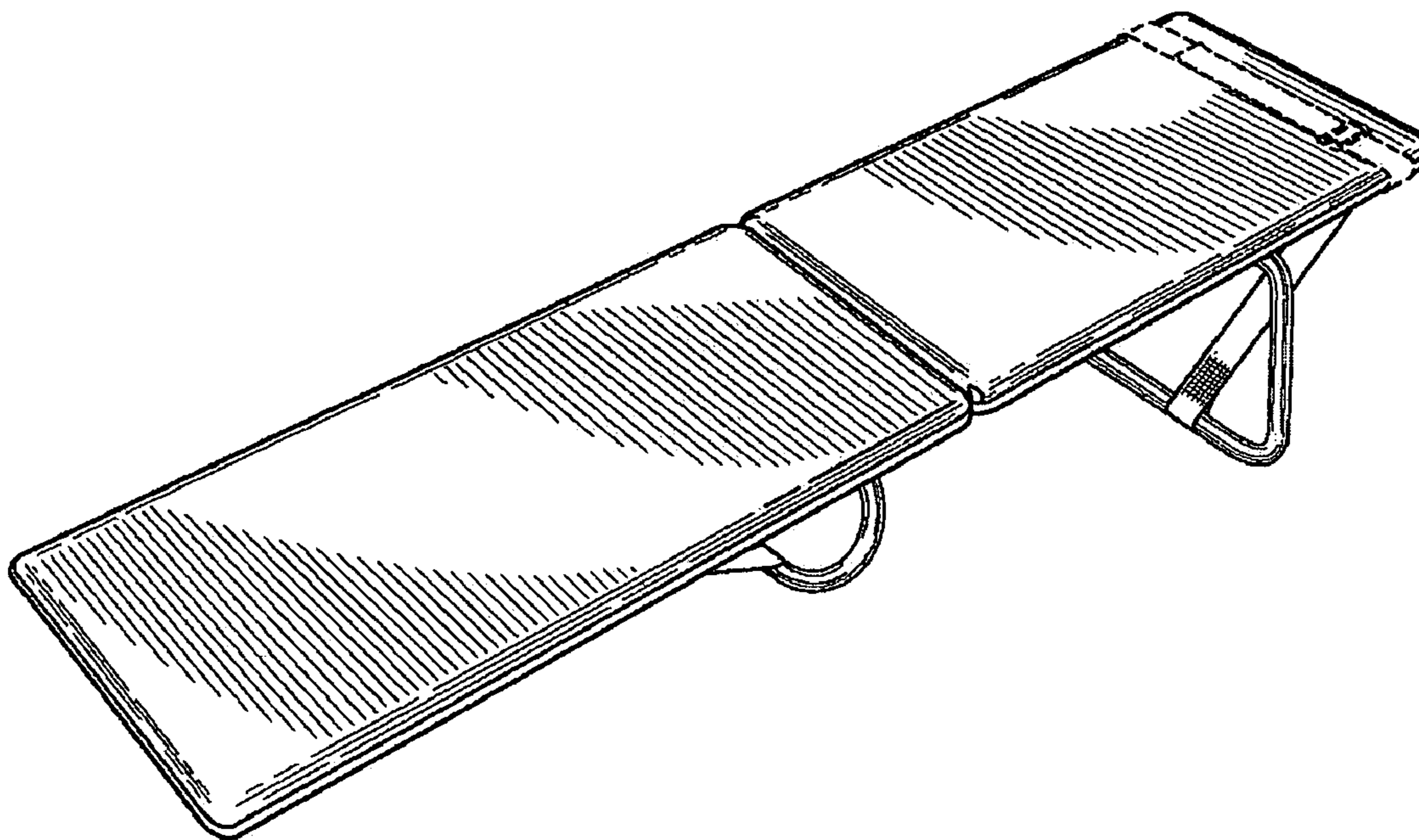
The ornamental design for a foldable inclined platform, as  
shown and described.

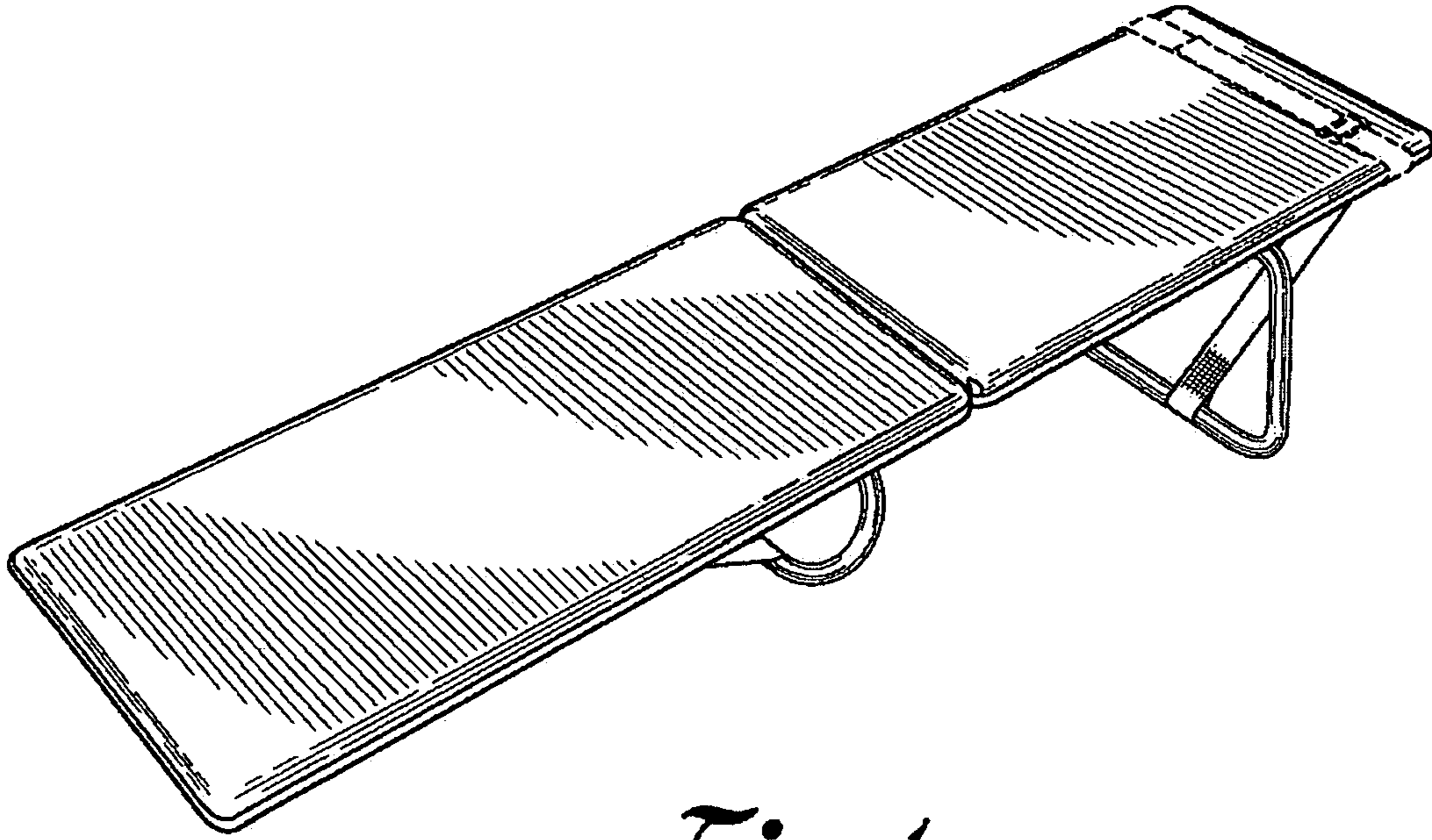
**DESCRIPTION**

FIG. 1 is a perspective view of my new design;  
FIG. 2 is a top plan view thereof;  
FIG. 3 is side elevational view thereof;  
FIG. 4 is a bottom plan view thereof;  
FIG. 5 is a front elevational view thereof;  
FIG. 6 is a rear elevational view thereof; and,  
FIG. 7 is a perspective view of my design in a folded  
configuration.

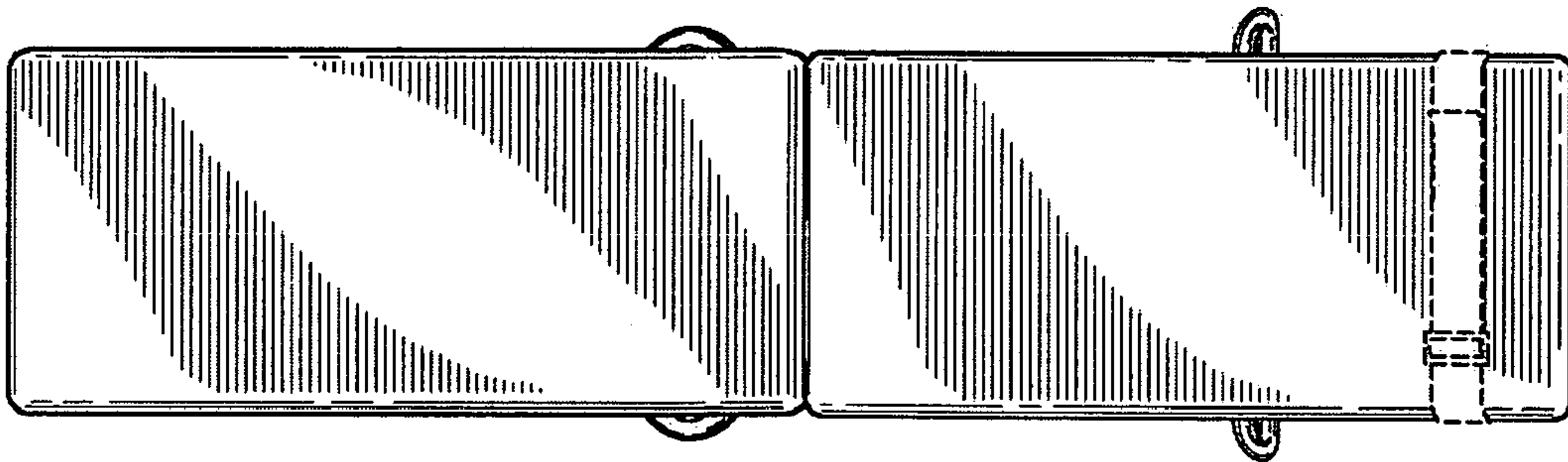
The broken lines in the drawing figures are for illustrative  
purposes only and form no part of the claimed design.

**1 Claim, 4 Drawing Sheets**

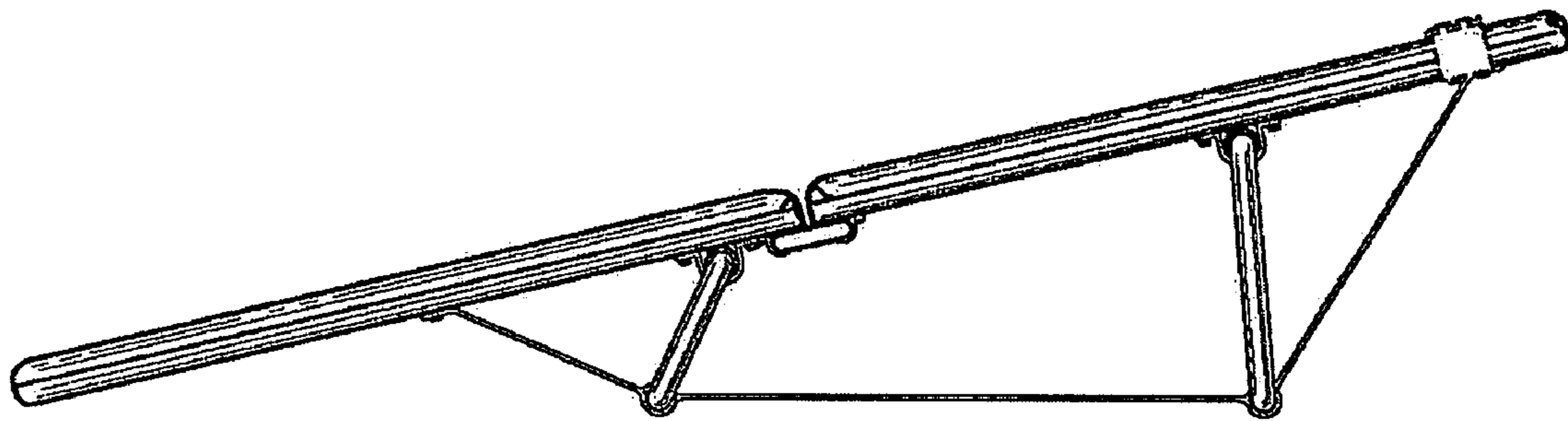




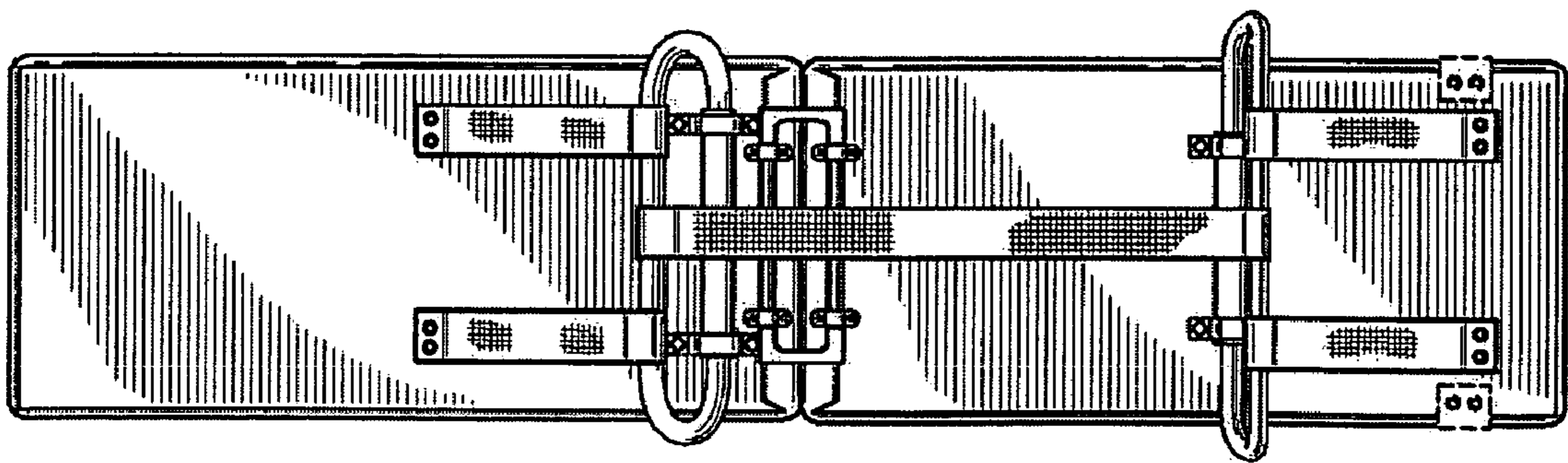
*Fig. 1*



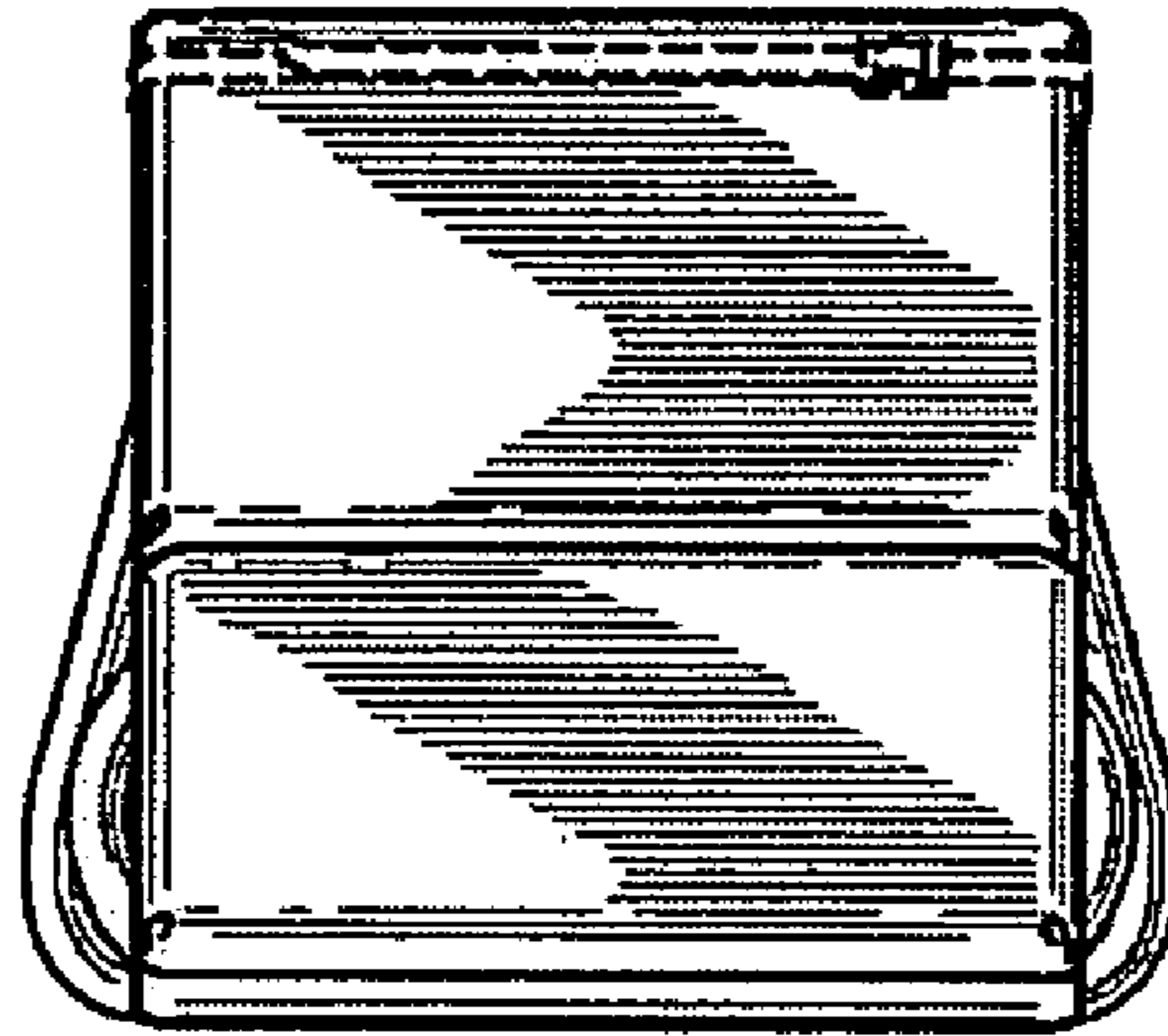
*Fig. 2*



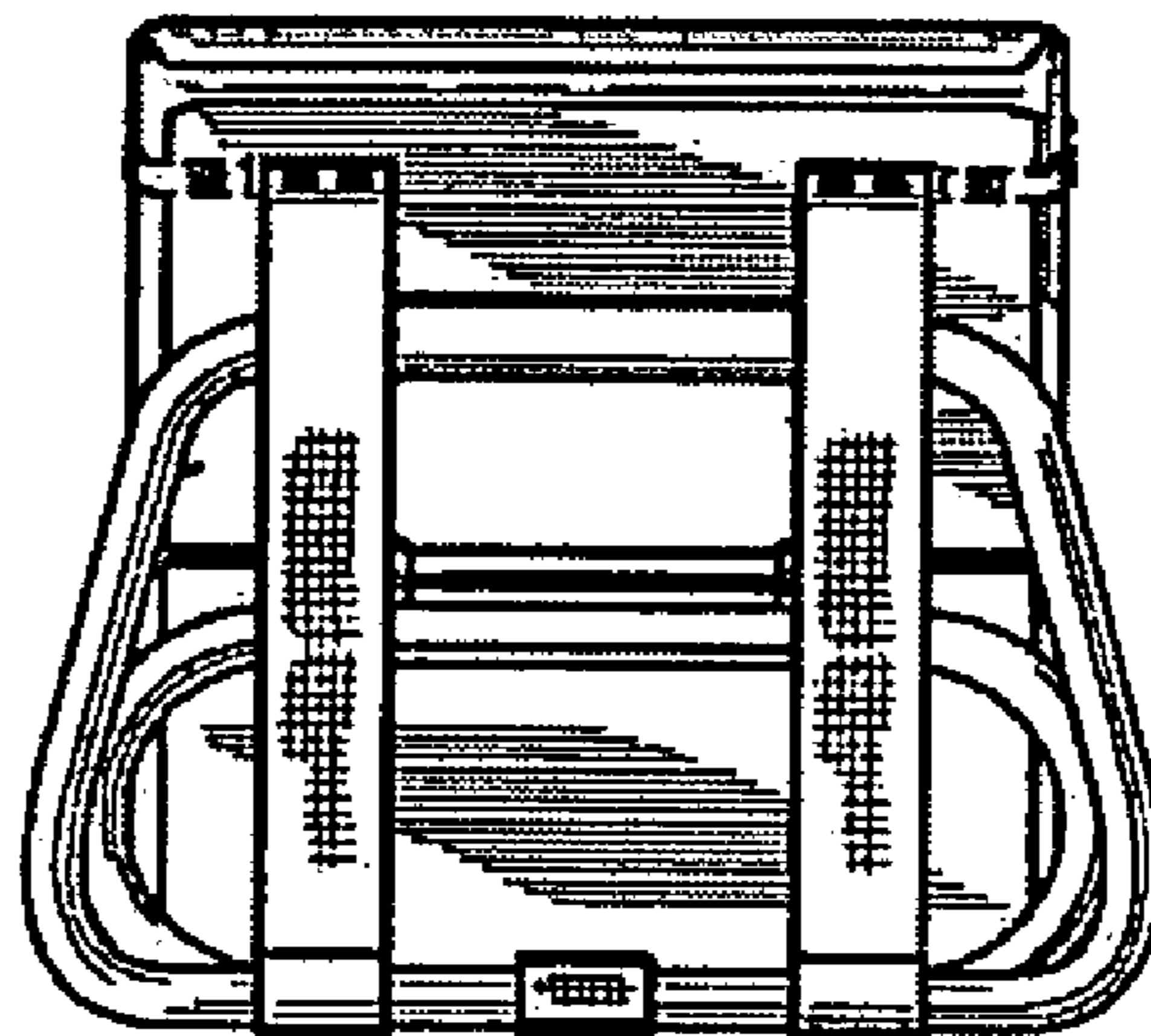
*Fig. 3*



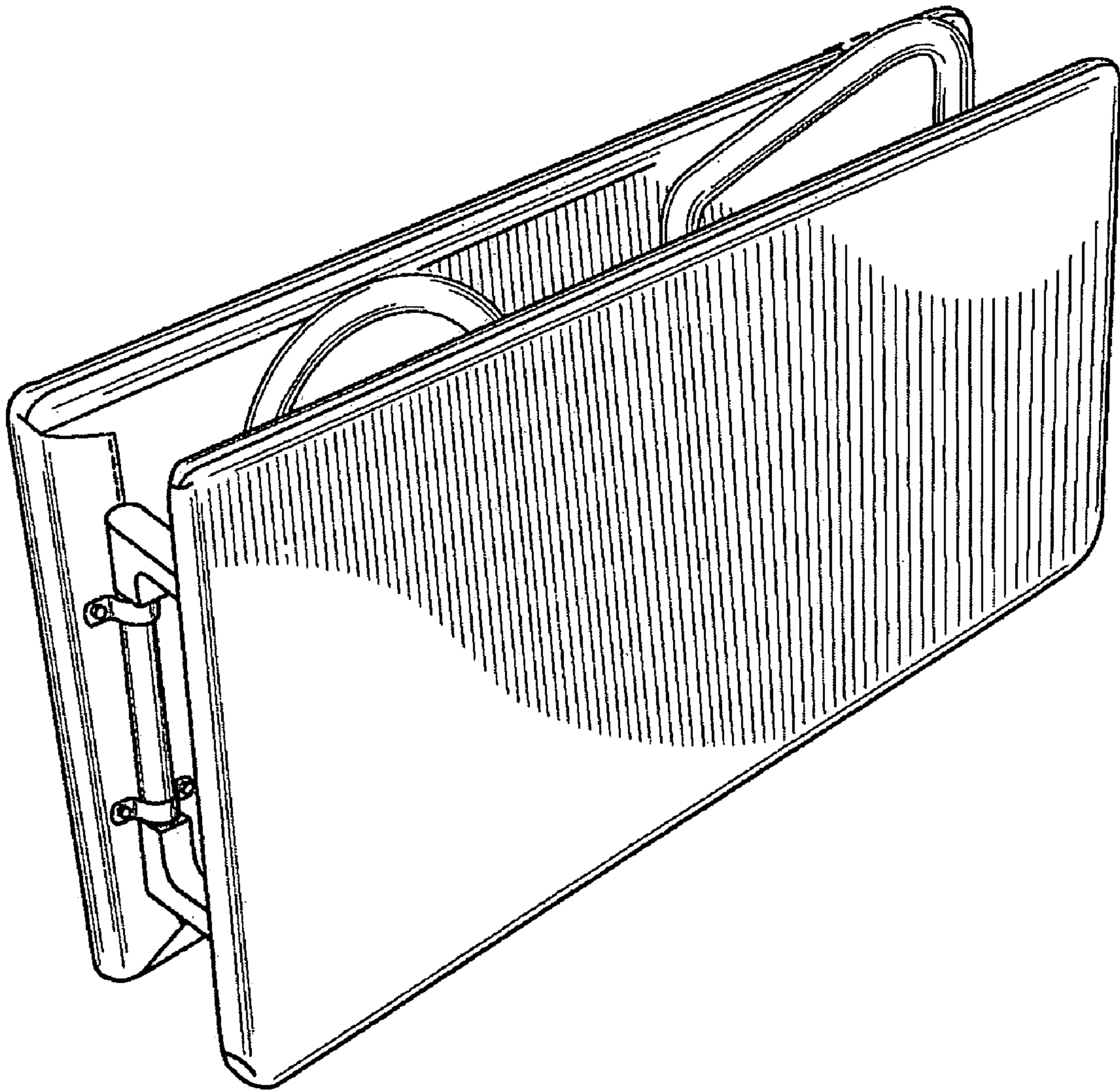
*Fig. 4*



*Fig. 5*



*Fig. 6*



*Fig. 7*