



US00D550359S

(12) **United States Design Patent**  
**Ogiwara**

(10) **Patent No.:** **US D550,359 S**

(45) **Date of Patent:** **\*\* Sep. 4, 2007**

(54) **CONTROLLER FOR AN X-RAY APPARATUS FOR MEDICAL TREATMENT**

D417,001 S \* 11/1999 Chikuma ..... D24/158  
D448,378 S \* 9/2001 Arnold et al. .... D14/396  
D487,466 S \* 3/2004 Yokota ..... D14/454  
D523,146 S \* 6/2006 Ogiwara ..... D24/158

(75) Inventor: **Susumu Ogiwara**, Kumagaya (JP)

**FOREIGN PATENT DOCUMENTS**

(73) Assignees: **Kabushiki Kaisha Toshiba** (JP);  
**Toshiba Medical Systems Corporation**  
(JP)

JP 1033098 2/1999  
JP 1105244 4/2001

(\*\*) Term: **14 Years**

\* cited by examiner

(21) Appl. No.: **29/262,528**

*Primary Examiner*—Lou Zarfaz  
*Assistant Examiner*—Anhdao Doan

(22) Filed: **Jul. 6, 2006**

(74) *Attorney, Agent, or Firm*—Banner & Witcoff, Ltd.

(30) **Foreign Application Priority Data**

(57) **CLAIM**

Apr. 5, 2006 (JP) ..... 2006-008792

The ornamental design for a controller for an x-ray apparatus for medical treatment, as shown and described.

(51) **LOC (8) Cl.** ..... **24-01**

**DESCRIPTION**

(52) **U.S. Cl.** ..... **D24/158**

(58) **Field of Classification Search** ..... D24/158-161,  
D24/183; 378/178-190, 193, 195-198, 208,  
378/209, 10, 11, 37-39; D14/392-394, 396,  
D14/397, 400, 412; D21/325, 331, 332  
See application file for complete search history.

FIG. 1 is a front, top and left side perspective view of a controller for an x-ray apparatus for medical treatment, showing my new design;

(56) **References Cited**

**U.S. PATENT DOCUMENTS**

D253,234 S \* 10/1979 Cooke ..... D13/168  
D385,854 S \* 11/1997 Sumii ..... D14/399  
D387,094 S \* 12/1997 Muraki et al. .... D14/400  
D411,530 S \* 6/1999 Carter et al. .... D14/400

FIG. 2 is a front elevational view thereof;

FIG. 3 is a rear elevational view thereof;

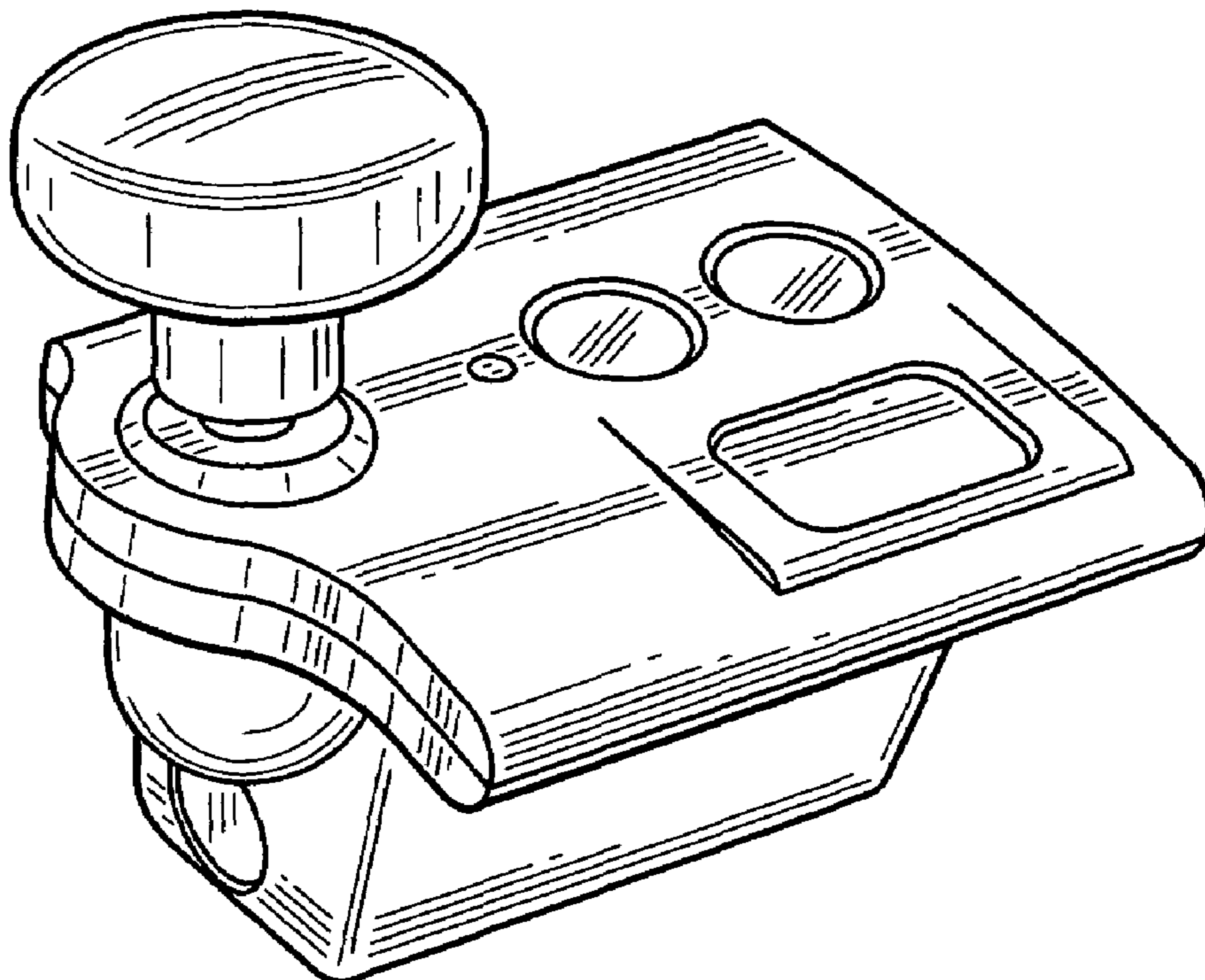
FIG. 4 is a top plan view thereof;

FIG. 5 is a bottom plan view thereof;

FIG. 6 is a left side elevational view thereof; and,

FIG. 7 is a right side elevational view thereof.

**1 Claim, 4 Drawing Sheets**



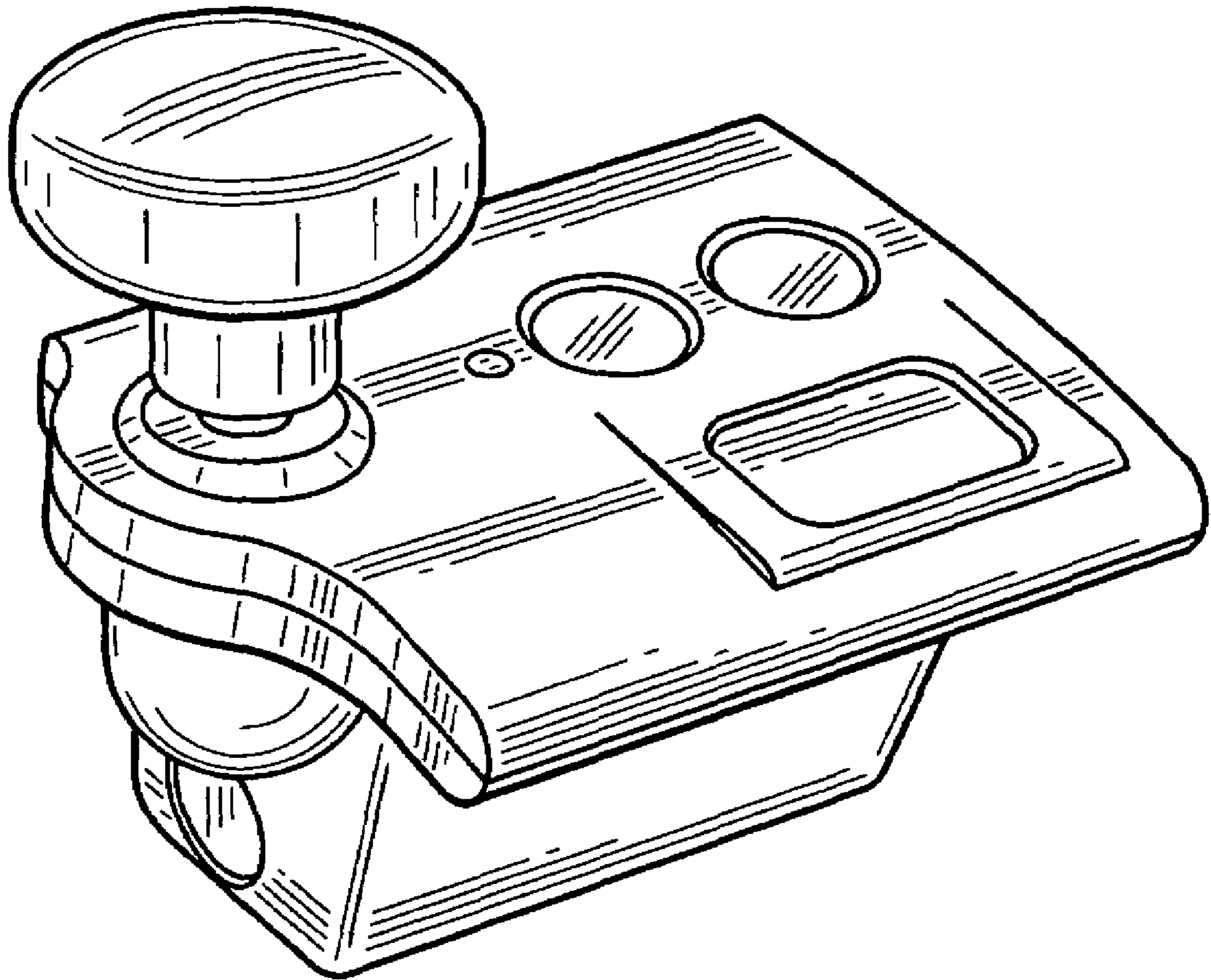


FIG. 1

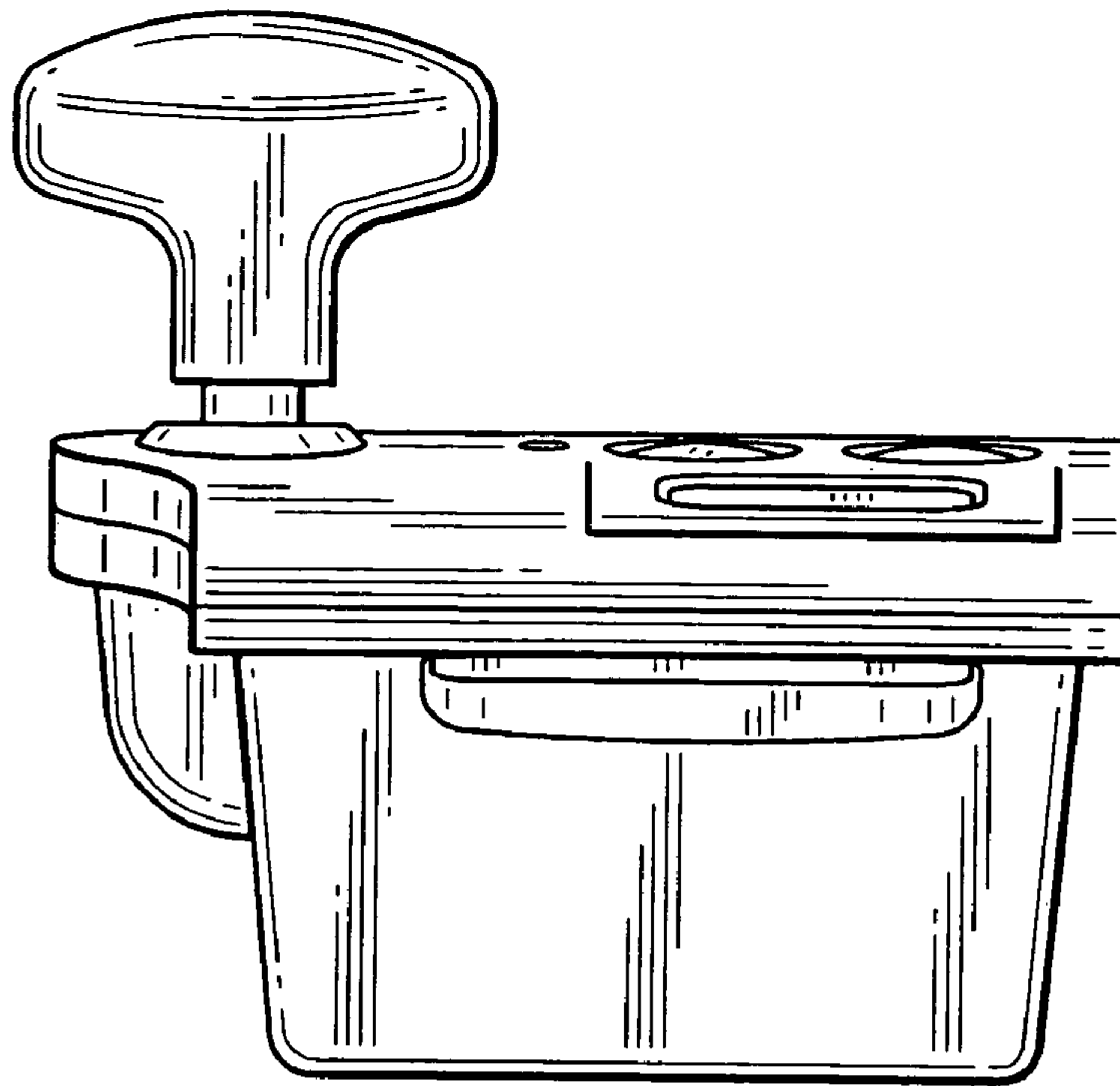


FIG. 2

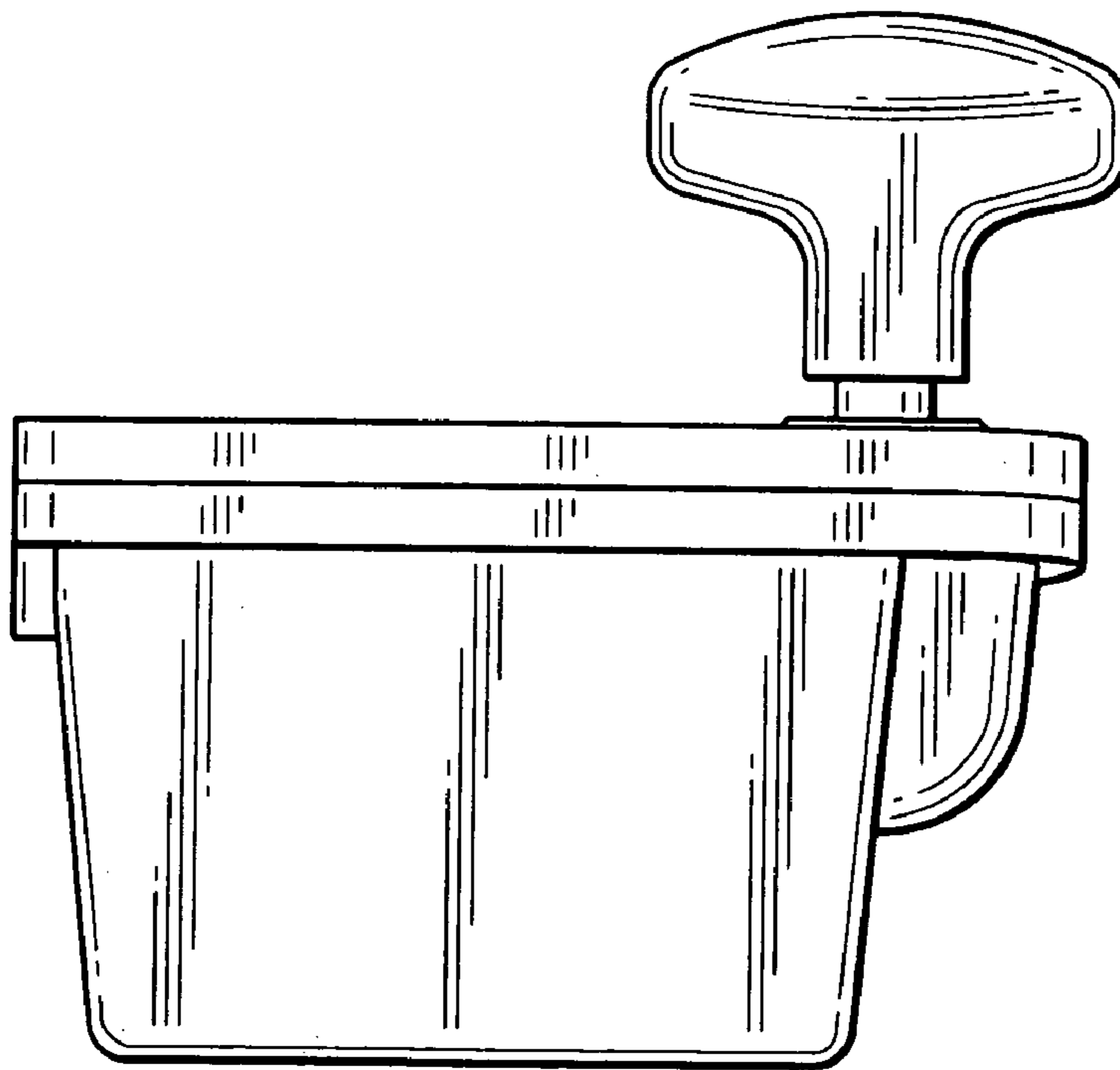


FIG. 3

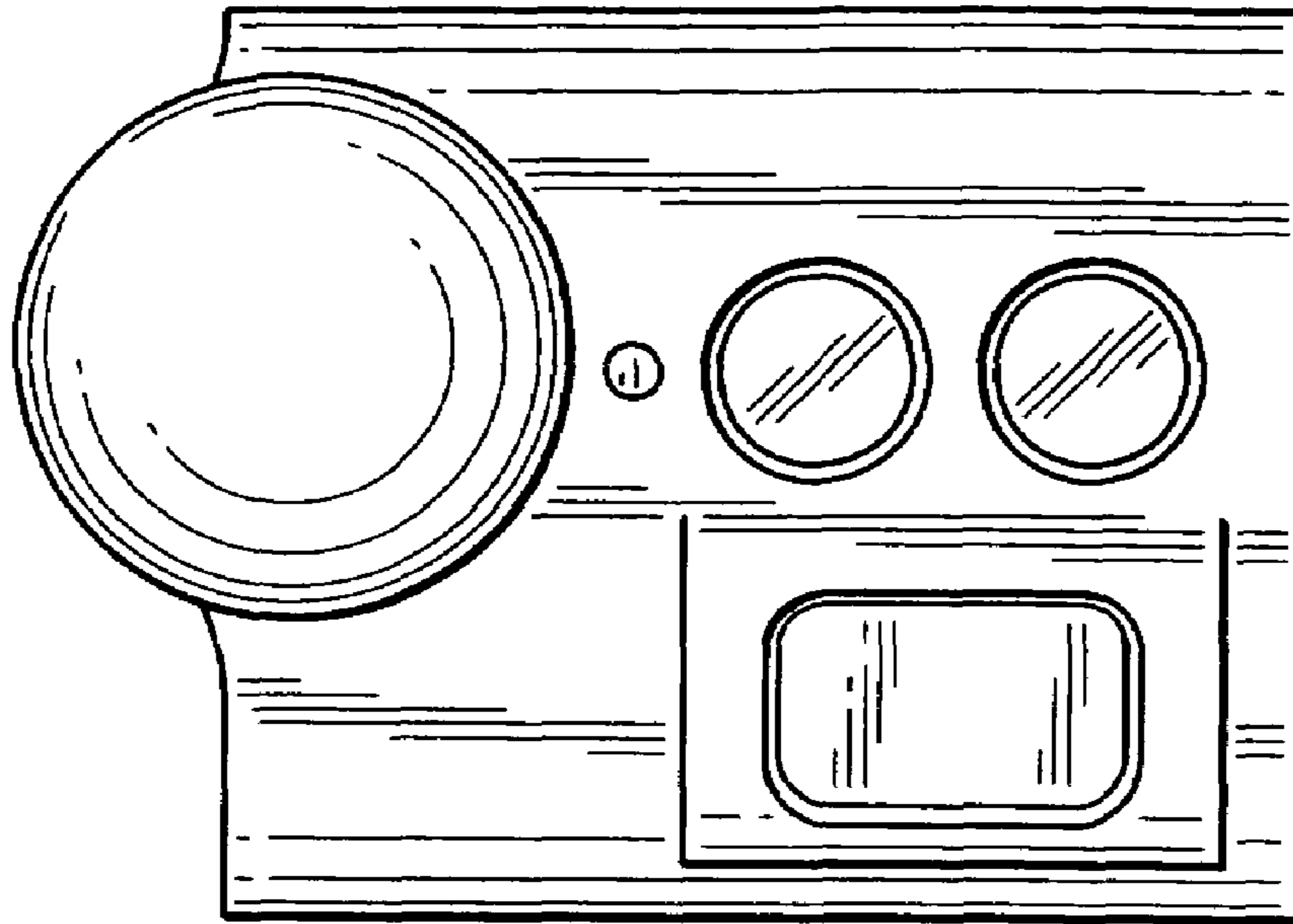


FIG. 4

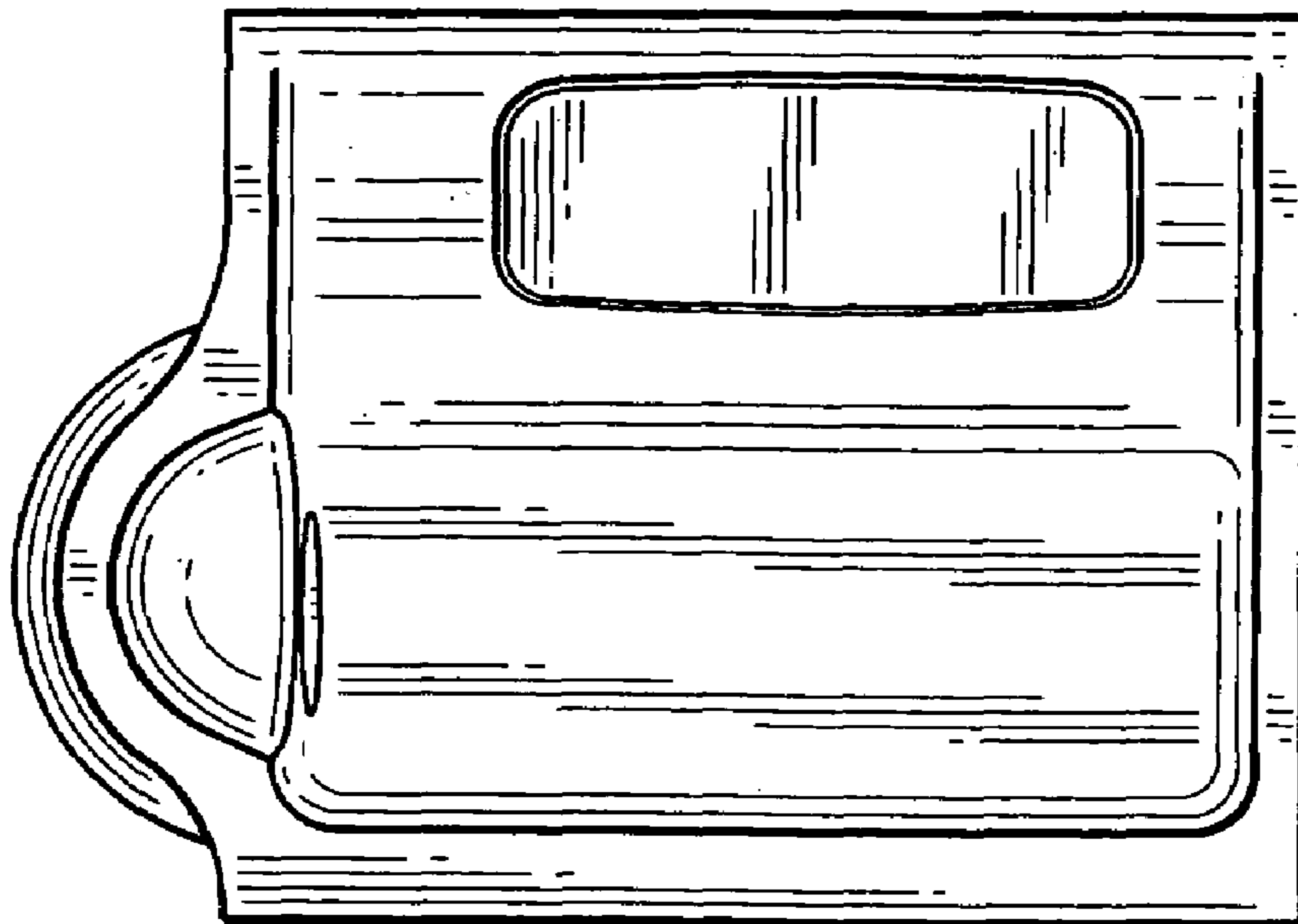


FIG. 5

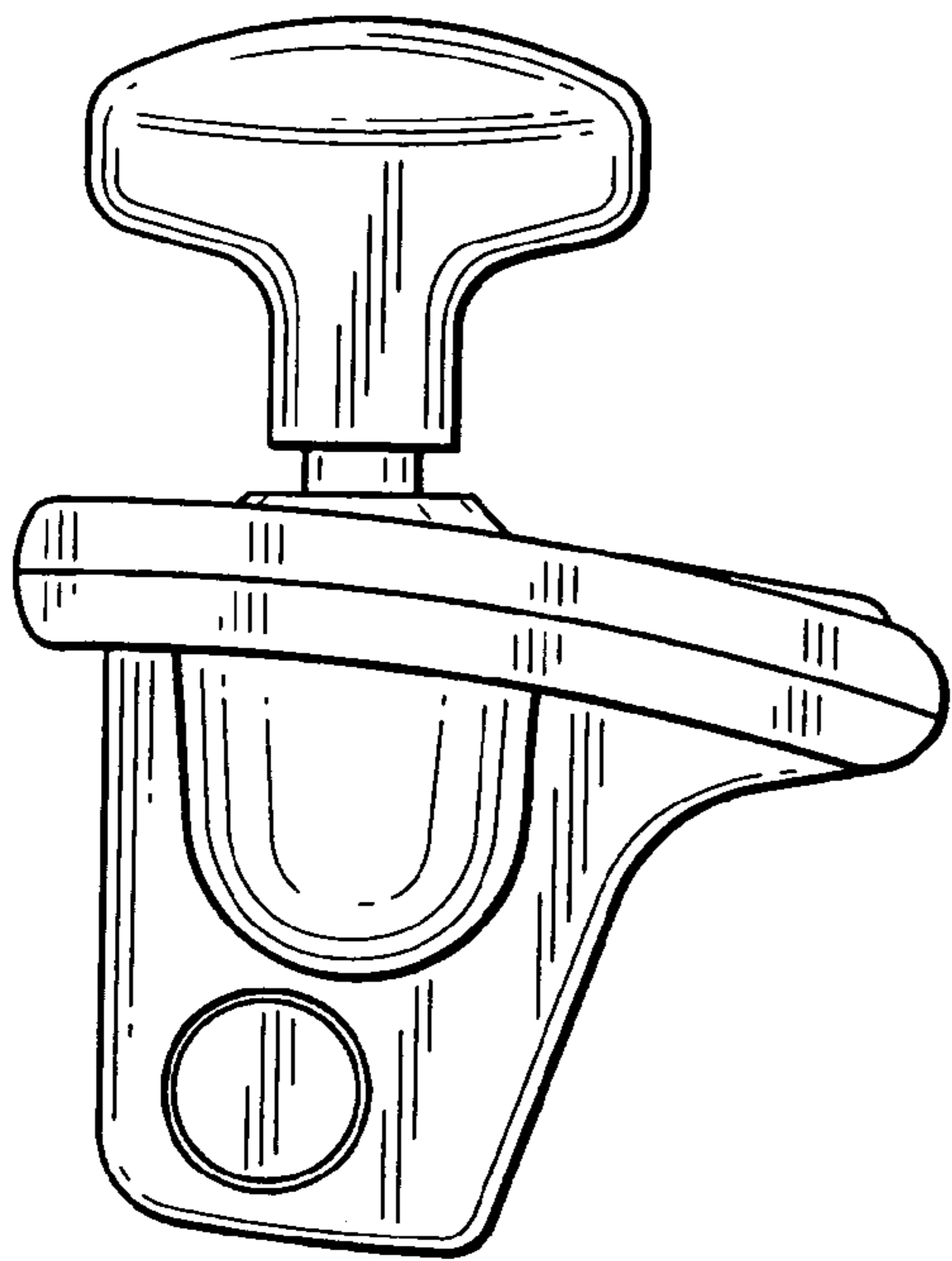


FIG. 6

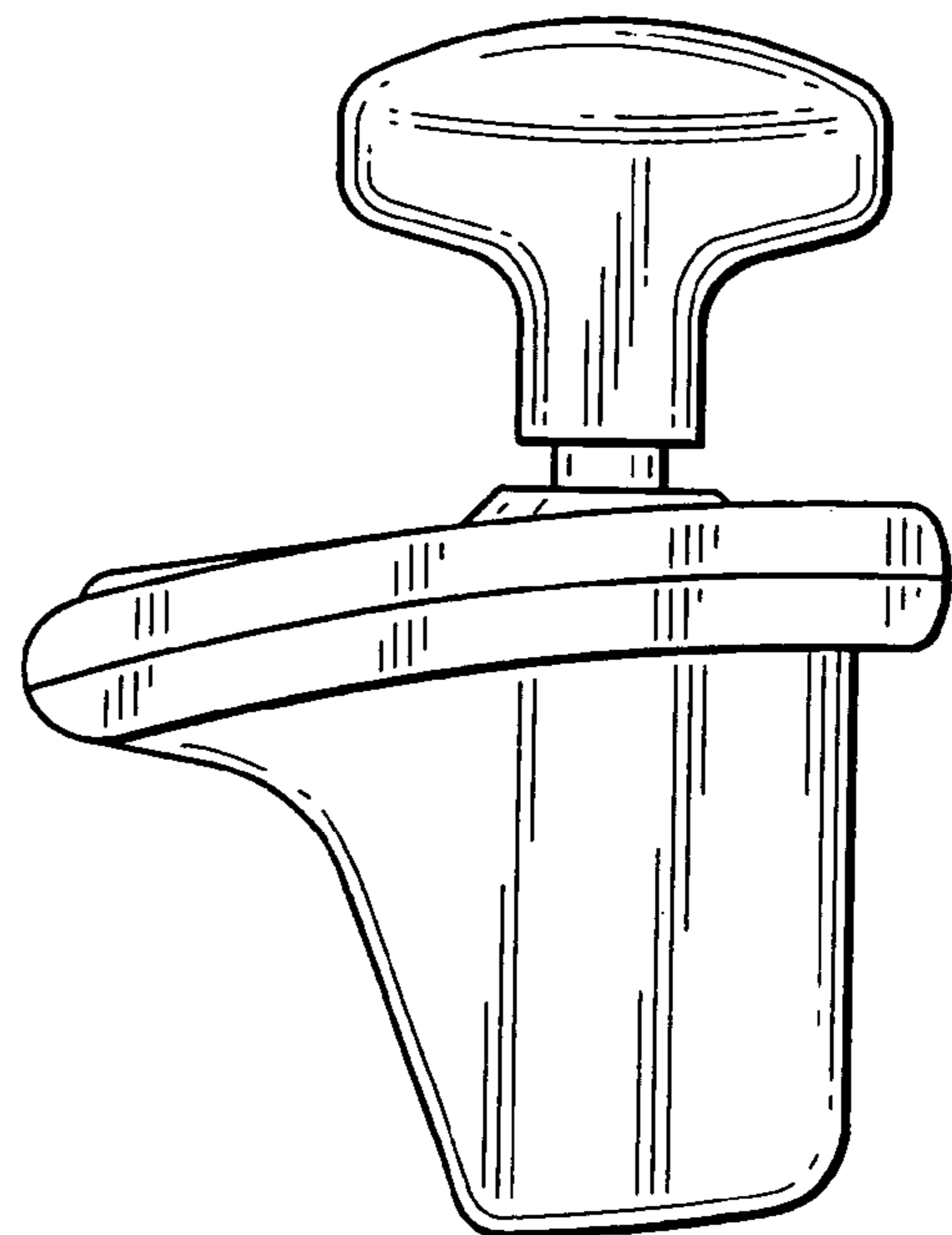


FIG. 7