



US00D550356S

(12) **United States Design Patent**  
**Anderson et al.**

(10) **Patent No.:** **US D550,356 S**

(45) **Date of Patent:** **\*\* Sep. 4, 2007**

(54) **CATHETER HANDLE**

(75) Inventors: **Neil L. Anderson**, Roseville (AU);  
**Evan K. Chong**, South Strathfield  
(AU); **Paul Turner**, Eveleigh (AU)

(73) Assignee: **CathRx Ltd**, Eveleigh, New South  
Wales (AU)

(\*\*) Term: **14 Years**

(21) Appl. No.: **29/264,148**

(22) Filed: **Aug. 4, 2006**

(51) **LOC (8) Cl.** ..... **24-02**

(52) **U.S. Cl.** ..... **D24/133; D24/112**

(58) **Field of Classification Search** ..... D24/133,  
D24/112, 138, 144, 108, 222, 114, 130, 128,  
D24/129; 604/95.04, 528; 600/374, 381,  
600/463, 466

See application file for complete search history.

(56) **References Cited**

U.S. PATENT DOCUMENTS

D381,076 S \* 7/1997 Thornton et al. .... D24/138

D384,743 S \* 10/1997 Chia ..... D24/133  
D465,024 S \* 10/2002 Henderson et al. .... D24/133  
6,987,995 B2 \* 1/2006 Drysen ..... 600/374  
2004/0225256 A1 \* 11/2004 Ponzi et al. .... 604/95.04

\* cited by examiner

*Primary Examiner*—Ian Simmons

*Assistant Examiner*—Christopher Lee

(74) *Attorney, Agent, or Firm*—Morrison & Foerster LLP

(57) **CLAIM**

The ornamental design for a catheter handle, as shown and  
as described.

**DESCRIPTION**

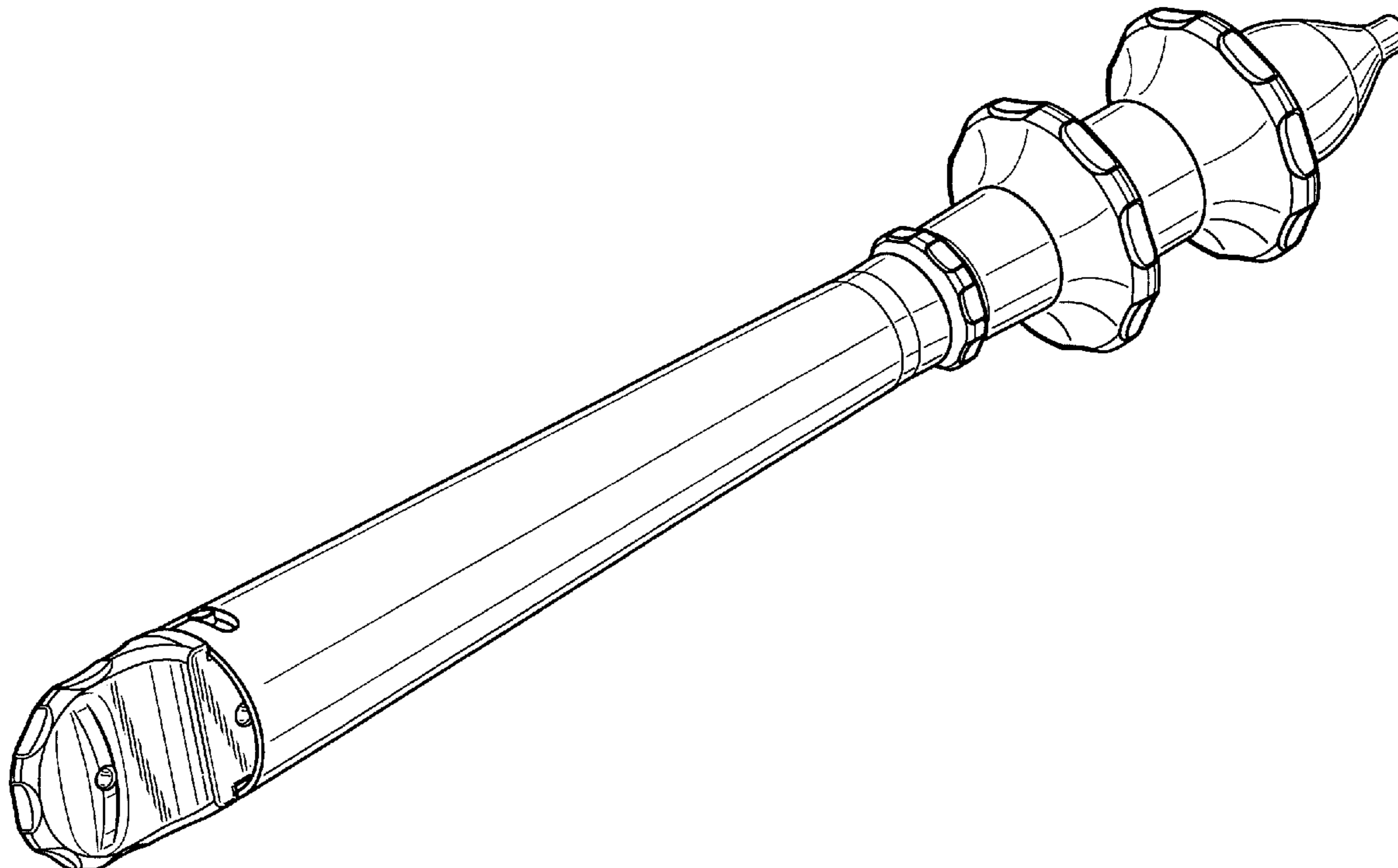
FIG. 1 is a rear perspective view of a catheter handle;

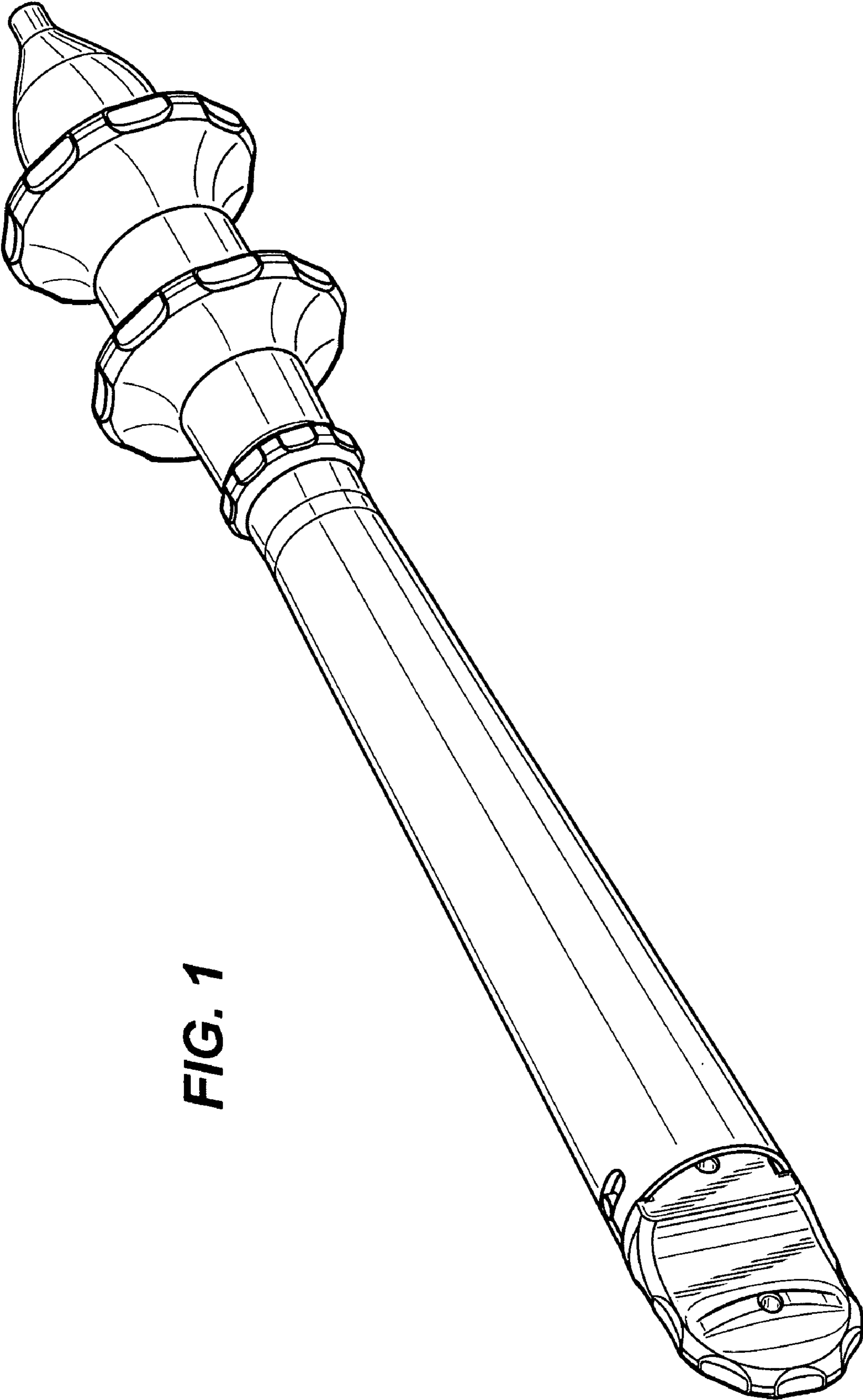
FIG. 2 is a top plan view thereof;

FIG. 3 is a side view thereof; and,

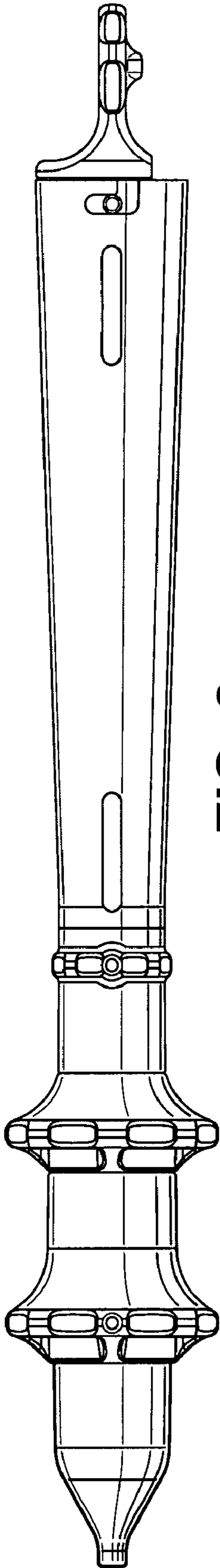
FIG. 4 is a front perspective view.

**1 Claim, 3 Drawing Sheets**

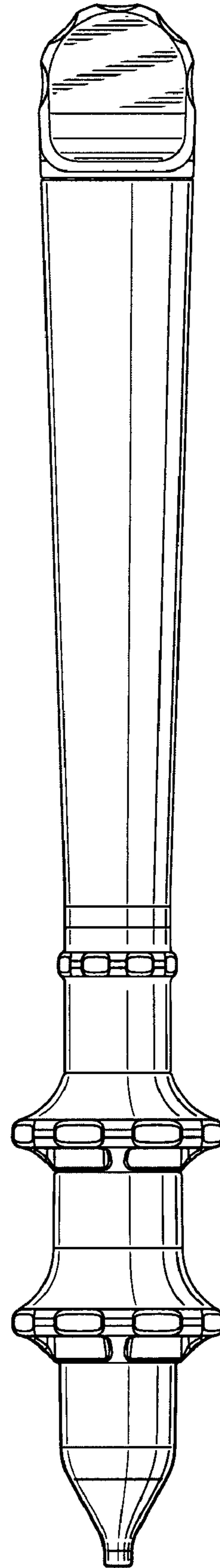




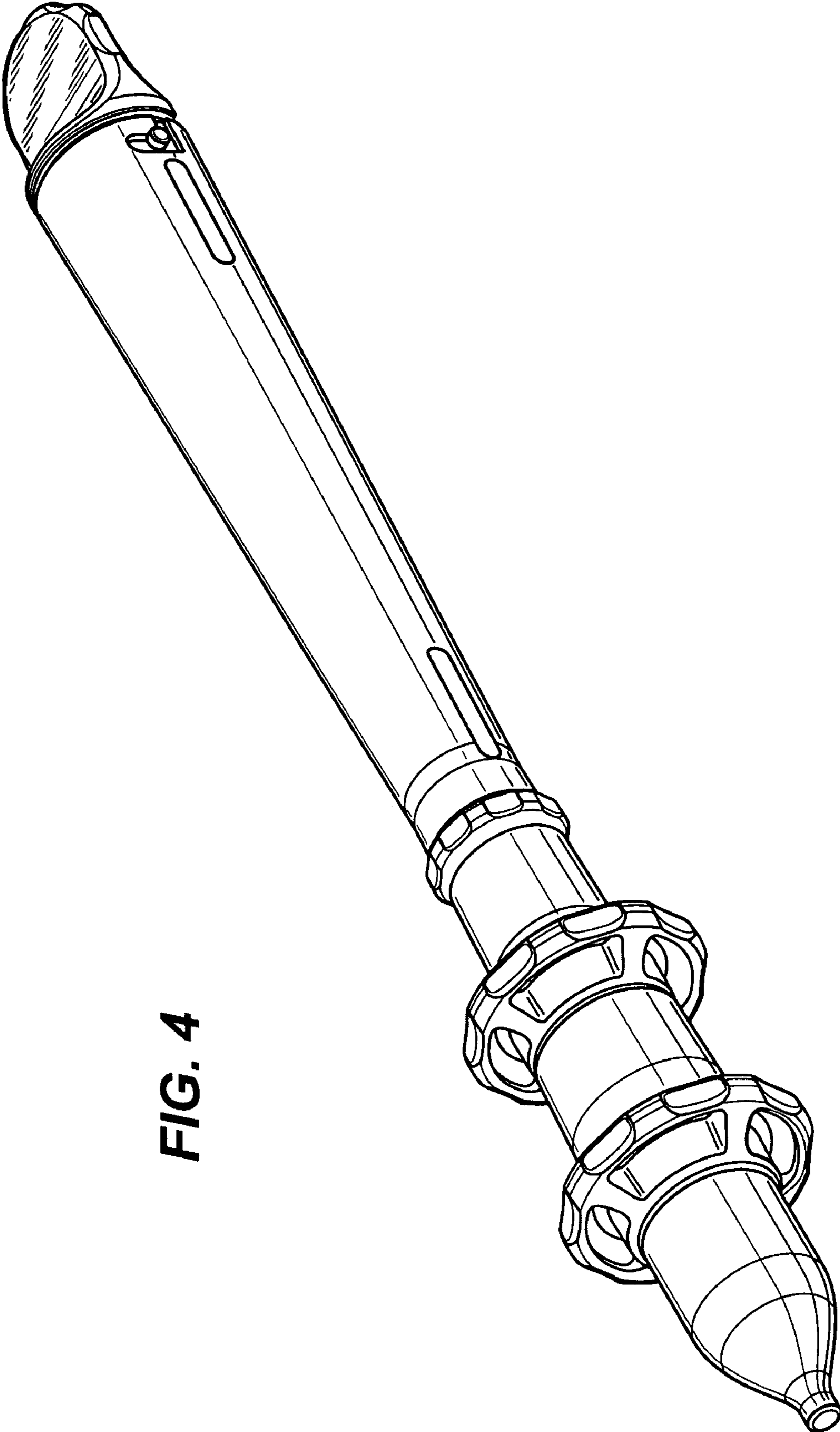
**FIG. 1**



**FIG. 2**



**FIG. 3**



**FIG. 4**