



US00D550353S

(12) **United States Design Patent**
White

(10) **Patent No.:** **US D550,353 S**

(45) **Date of Patent:** **** Sep. 4, 2007**

(54) **COMBINED Y-INJECTION SITE AND
PATIENT BRACELET FOB FOR I.V.
ADMINISTRATION SETS**

2002/0133121 A1 9/2002 Bierman 604/174
2004/0167475 A1* 8/2004 Wright et al. 604/180

* cited by examiner

(76) Inventor: **James E. White**, 4127 E. Churchill,
Springfield, MO (US) 65809

Primary Examiner—Louis S. Zarfes

Assistant Examiner—Eric L. Goodman

(74) *Attorney, Agent, or Firm*—Jonathan A. Bay

(**) Term: **14 Years**

(21) Appl. No.: **29/243,805**

(57) **CLAIM**

(22) Filed: **Nov. 30, 2005**

The combined Y-injection site and patient bracelet fob for I.V. administration sets, as shown and described.

(51) **LOC (8) Cl.** **24-01**

(52) **U.S. Cl.** **D24/128**

(58) **Field of Classification Search** D24/127–130,
D24/191, 112, 114; 128/DIG. 15, DIG. 26;
604/174, 176, 180, 241–242

See application file for complete search history.

DESCRIPTION

FIG. 1 is a perspective view of a combined Y-injection site and patient bracelet fob for I.V. administration sets showing my new design;

FIG. 2 is a top plan view thereof;

FIG. 3 is a front elevational view thereof;

FIG. 4 is a rear elevational view thereof;

FIG. 5 is a left side elevational view thereof;

FIG. 6 is a right side elevational view thereof;

FIG. 7 is a bottom plan view thereof; and,

FIG. 8 is a perspective view comparable to FIG. 1 except showing I.V. tubing and apertured elastic banding in broken lines for illustrative purposes only and form no part of the claimed design.

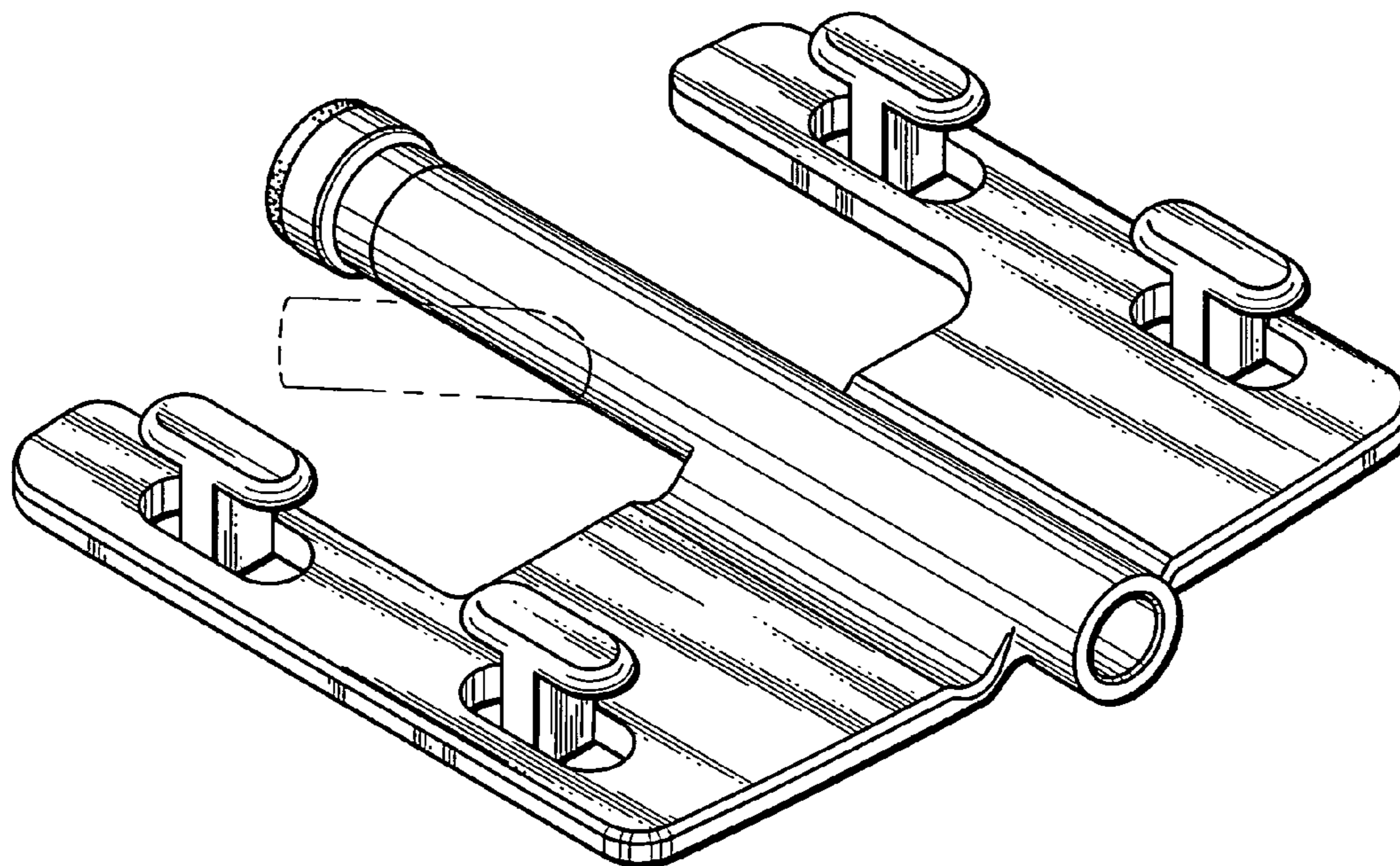
The broken line boundaries extending off a portion of the lateral sidewall of the main “y” trunk line showing an exemplary “y” branch line form no part of the claimed design.

(56) **References Cited**

U.S. PATENT DOCUMENTS

D217,702 S *	5/1970	Volk et al.	D24/129
D217,795 S *	6/1970	Spaven et al.	D24/129
3,630,195 A	12/1971	Santomieri	604/180
D223,043 S *	2/1972	Ratner	D24/112
D258,387 S *	2/1981	De Frank	D24/128
D290,041 S	5/1987	Scott	D24/128
4,878,897 A	11/1989	Katzin	604/86
5,084,026 A	1/1992	Shapiro	604/179
5,116,324 A *	5/1992	Brierley et al.	604/180
5,316,246 A	5/1994	Scott et al.	248/68.1
5,470,321 A	11/1995	Forster et al.	604/174
5,643,216 A	7/1997	White	604/174
D414,872 S *	10/1999	Doyle	D24/191
D457,240 S	5/2002	Islava	D24/130
D484,592 S	12/2003	Ryhman et al.	D24/128

1 Claim, 4 Drawing Sheets



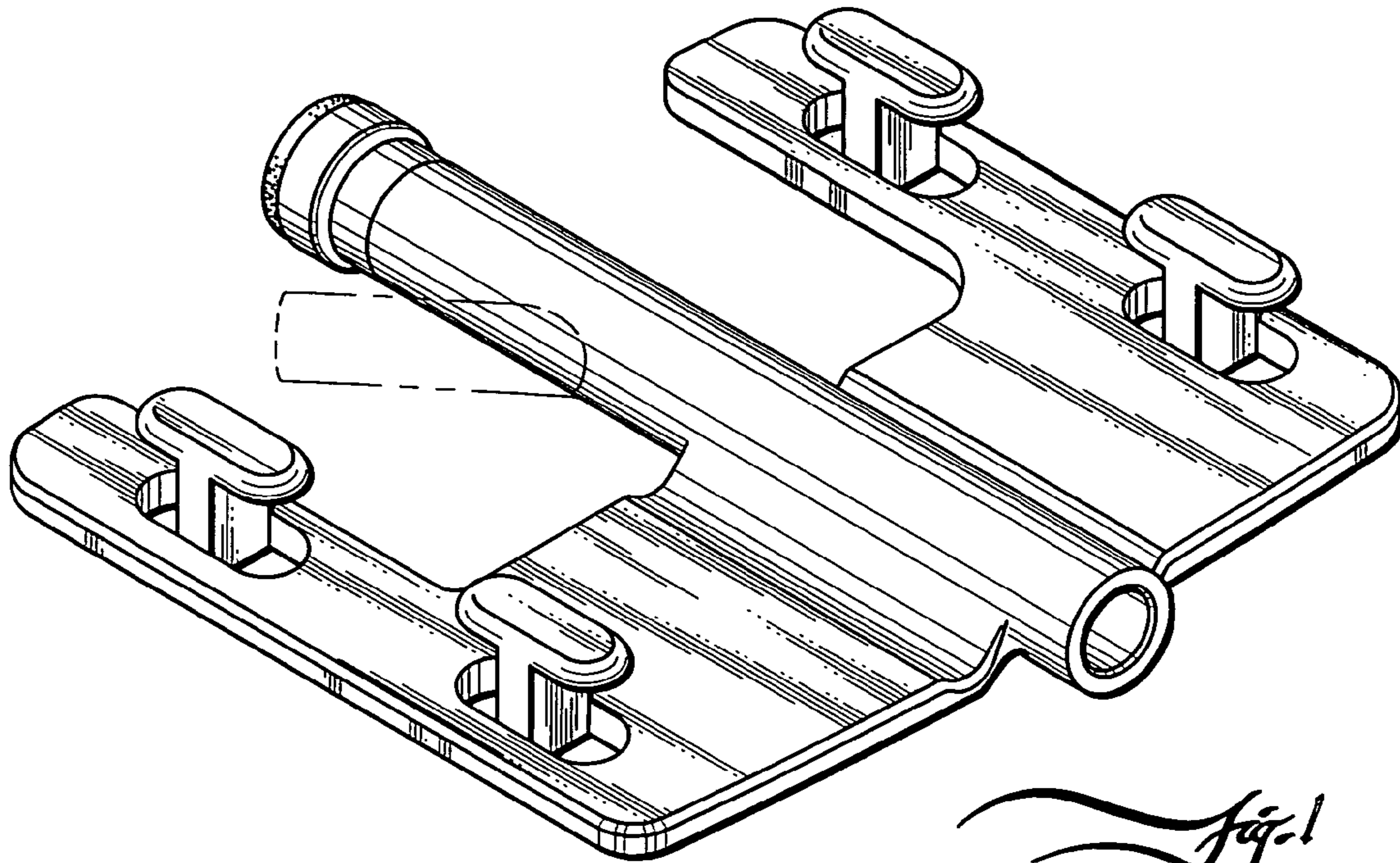


Fig. 1

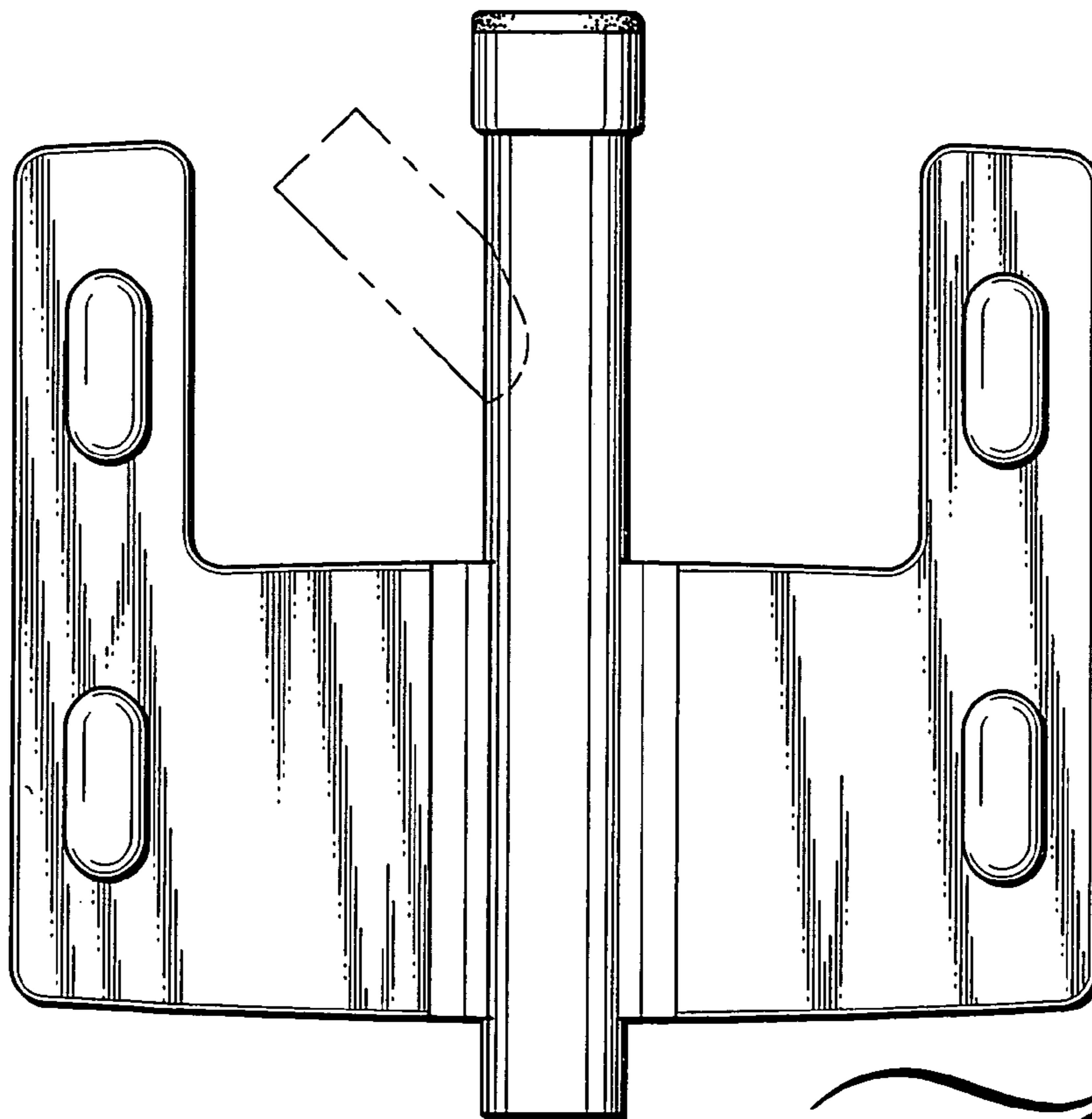


Fig. 2

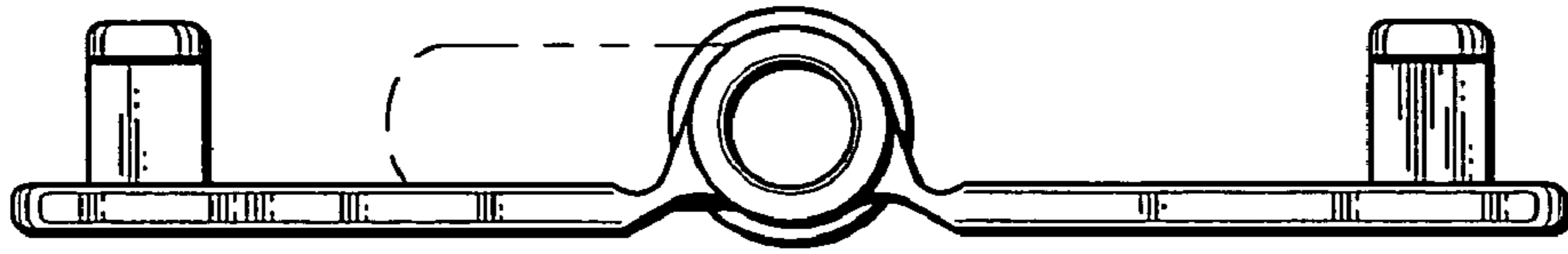


Fig. 3

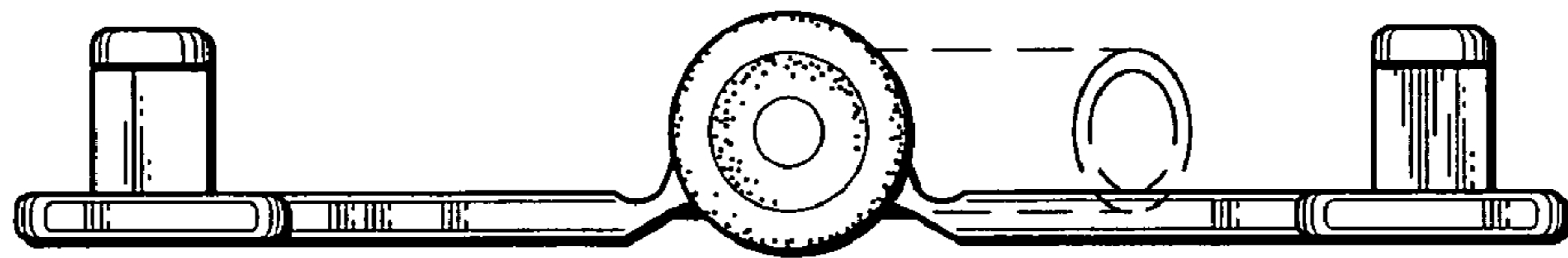


Fig. 4

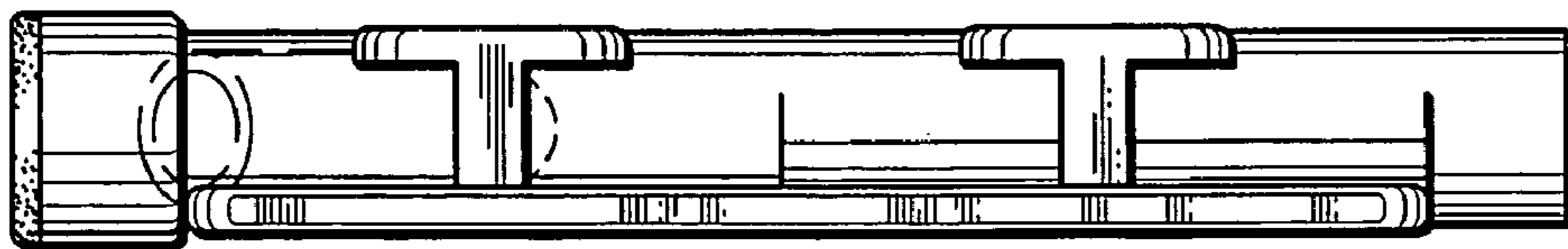


Fig. 5

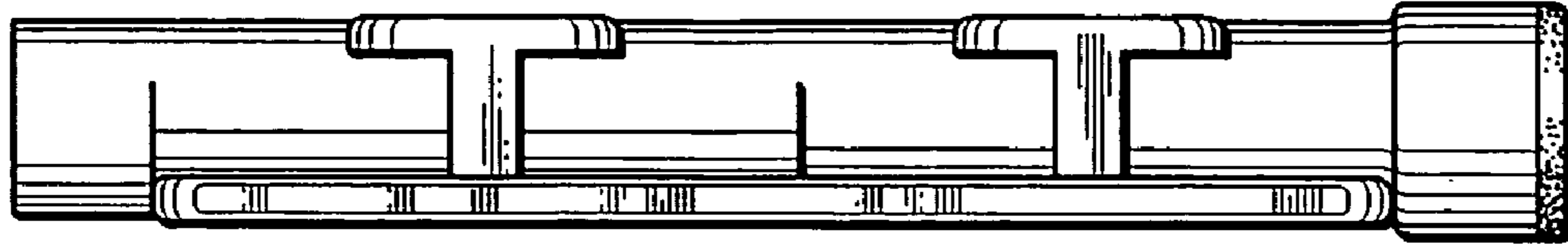


Fig. 6

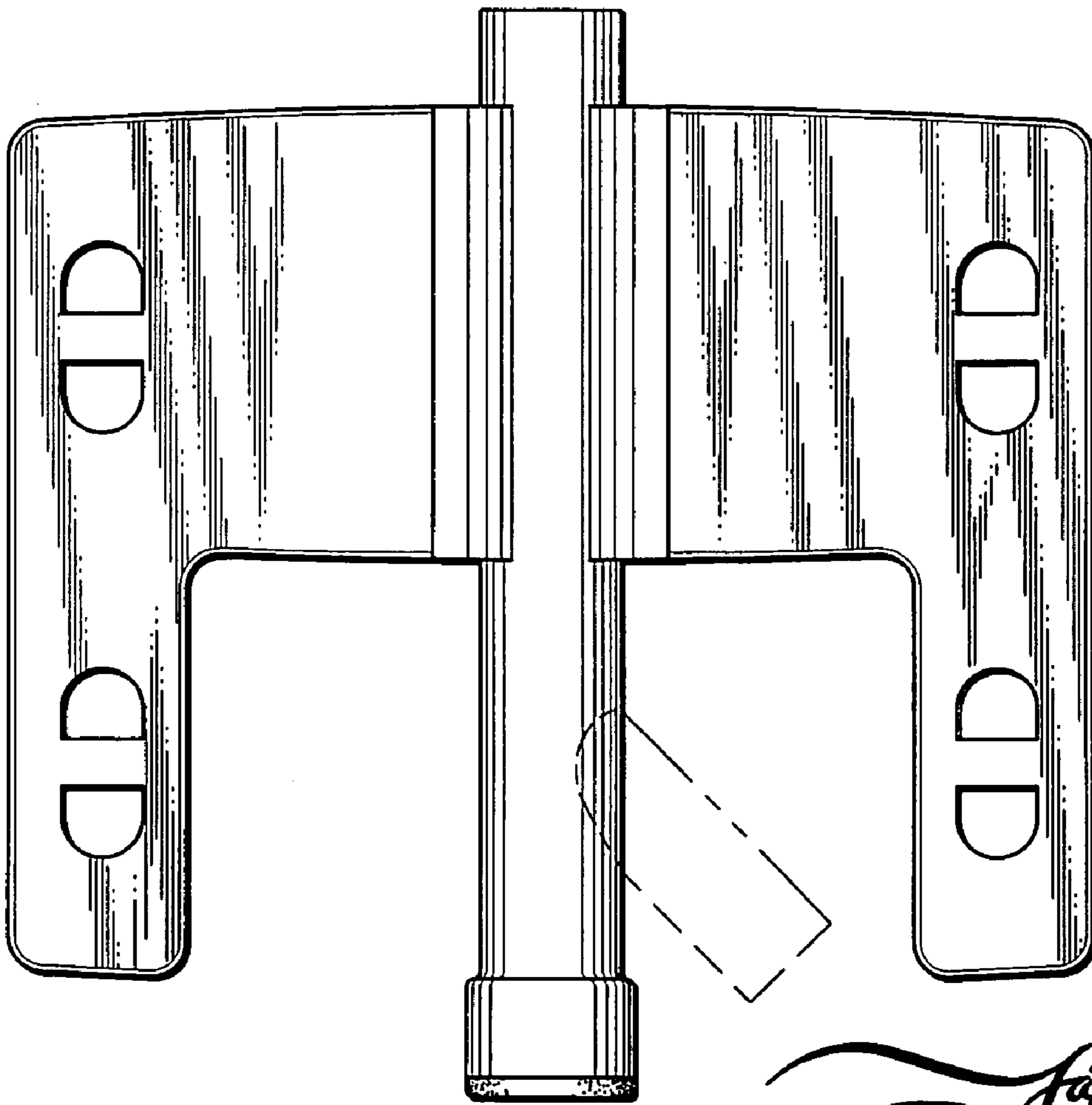


Fig. 7

