

US00D550352S

(12) **United States Design Patent**
Chandran et al.

(10) **Patent No.:** **US D550,352 S**

(45) **Date of Patent:** **** Sep. 4, 2007**

(54) **CUSHION FOR A BREATHING MASK**

(76) Inventors: **Sanjay Chandran**, 19483 Estuary Dr., Boca Raton, FL (US) 33498; **Shara Hernandez**, 2995 SW. 117 Ave., Davie, FL (US) 33330; **Louis Javier Collazo**, 1804 Brasburn Cir., Atlanta, GA (US) 30316

(**) Term: **14 Years**

(21) Appl. No.: **29/274,244**

(22) Filed: **Apr. 9, 2007**

Related U.S. Application Data

(63) Continuation of application No. 29/245,378, filed on Dec. 23, 2005.

(51) **LOC (8) Cl.** **29-02**

(52) **U.S. Cl.** **D24/110.1; D24/110.4**

(58) **Field of Classification Search** D24/110, D24/110.1, 110.4, 110.5, 164; 128/207.11, 128/207.13, 207.17, 206.27, 206.28, 206.11, 128/206.21

See application file for complete search history.

(56) **References Cited**

U.S. PATENT DOCUMENTS

6,571,798 B1* 6/2003 Thornton 128/206.21

D485,905 S * 1/2004 Moore et al. D24/110.1
2006/0124131 A1* 6/2006 Chandran et al. 128/206.28
2006/0137690 A1* 6/2006 Gunaratnam et al. .. 128/206.11
2006/0174887 A1* 8/2006 Chandran et al. 128/206.11

* cited by examiner

Primary Examiner—Ian Simmons

Assistant Examiner—Christopher Lee

(74) *Attorney, Agent, or Firm*—Maier & Maier, PLLC

(57) **CLAIM**

The ornamental design for a cushion for a breathing mask, as shown.

DESCRIPTION

FIG. 1 is a top and right front perspective view of a cushion for a breathing mask, showing our design;

FIG. 2 is a right side view thereof;

FIG. 3 is a left side view thereof;

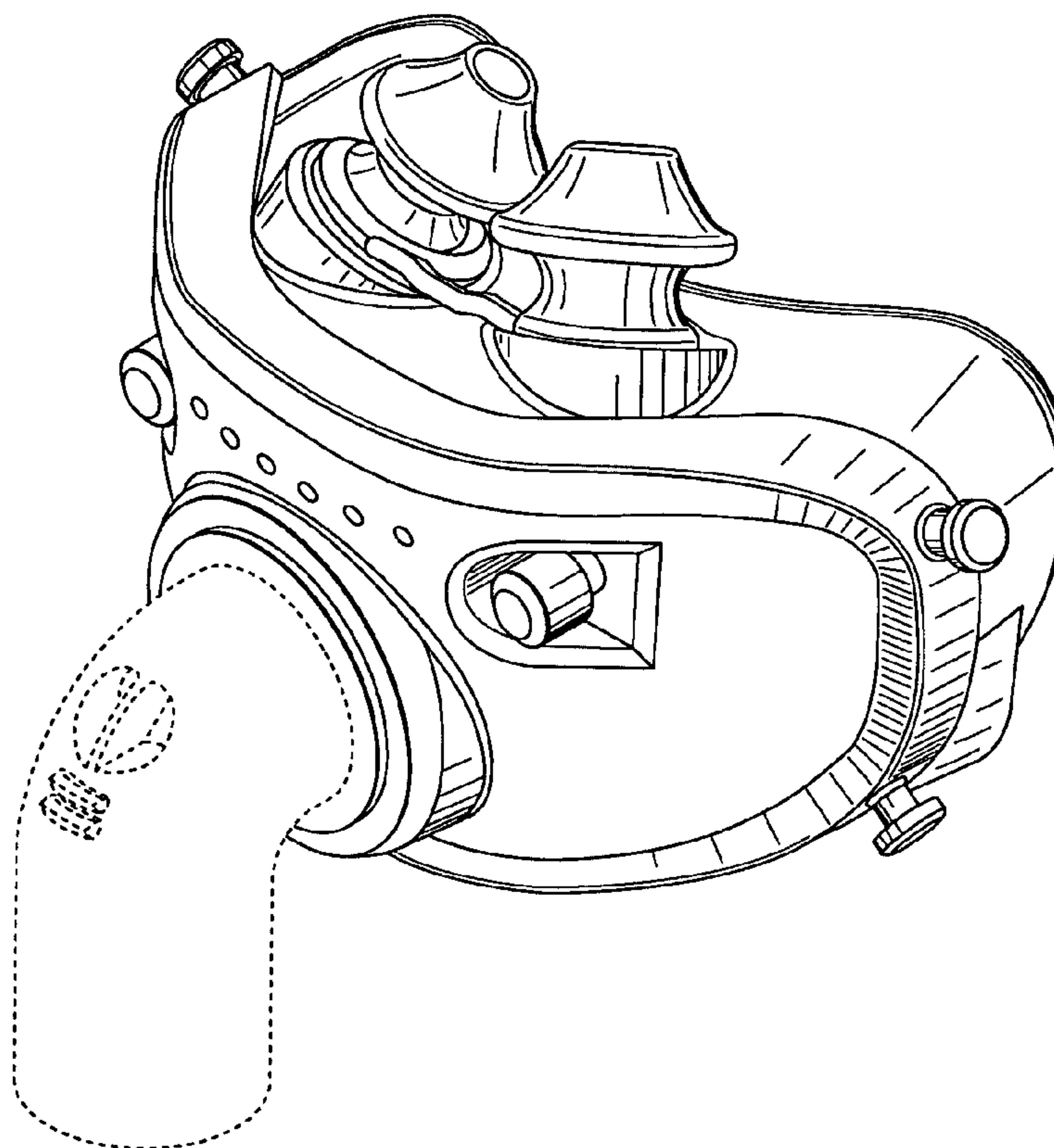
FIG. 4 is a front view thereof;

FIG. 5 is a rear view thereof;

FIG. 6 is a top view thereof; and,

FIG. 7 is a bottom view thereof.

1 Claim, 4 Drawing Sheets



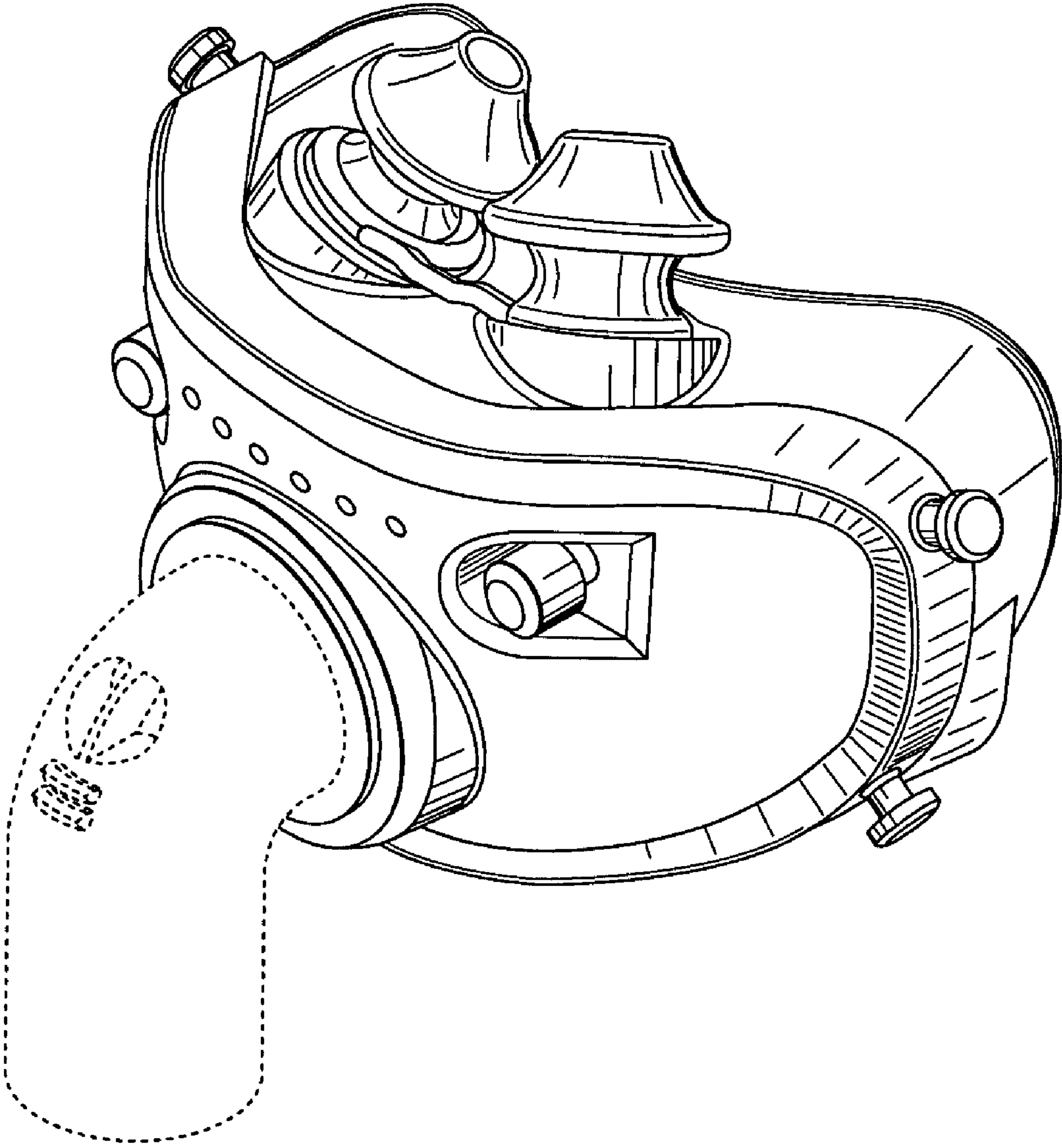


Fig. 1

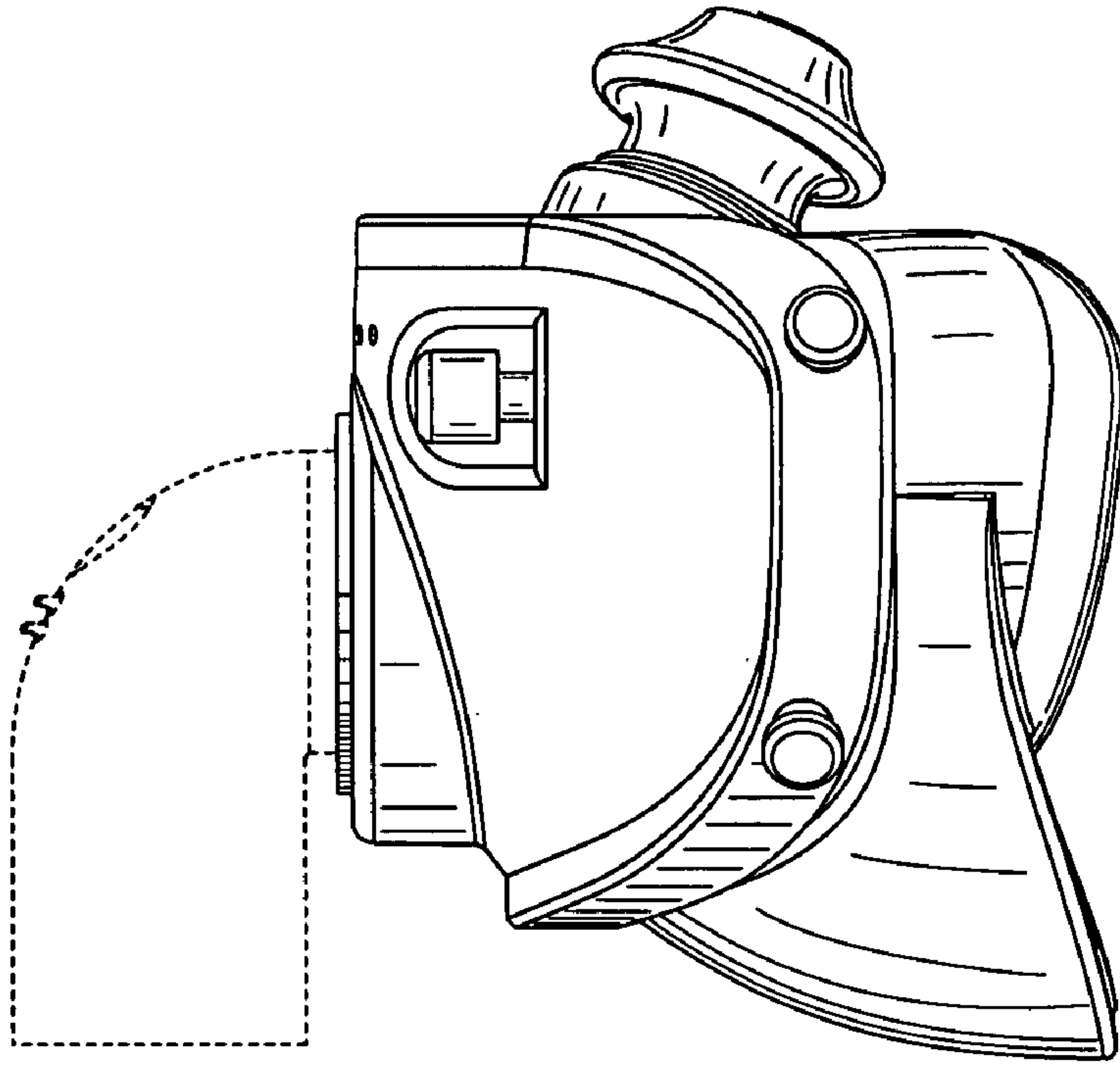


Fig. 2

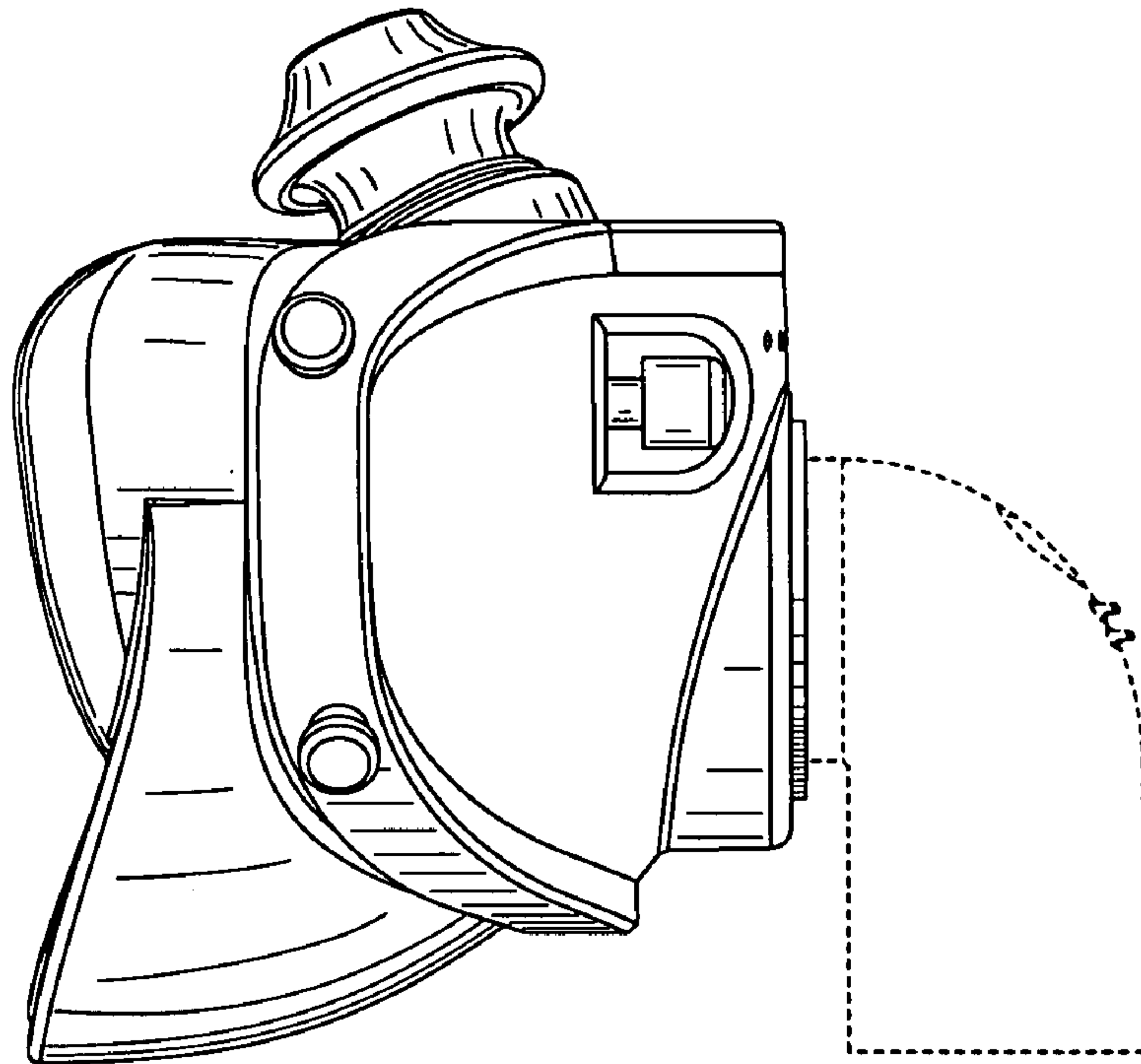


Fig. 3

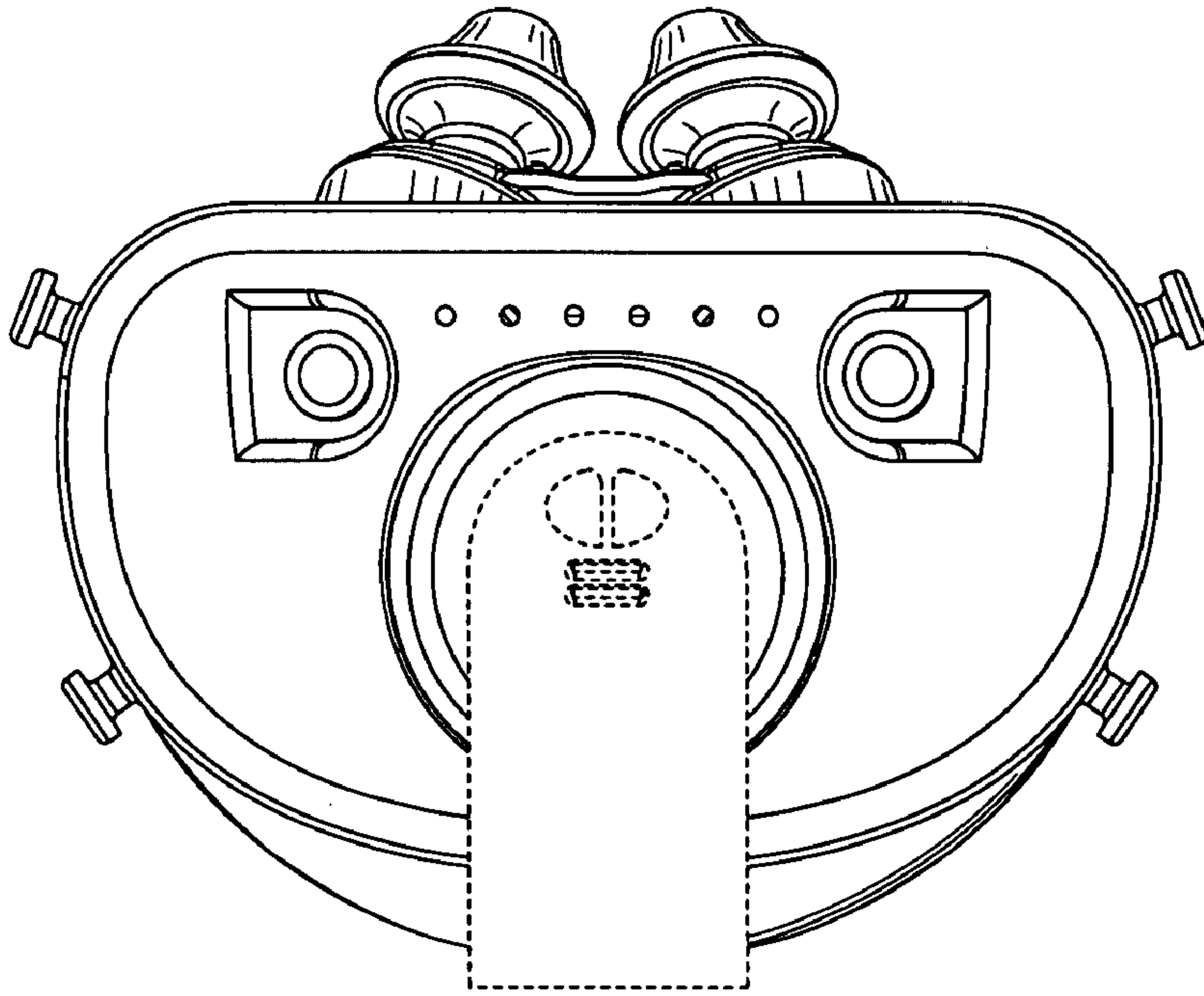


Fig. 4

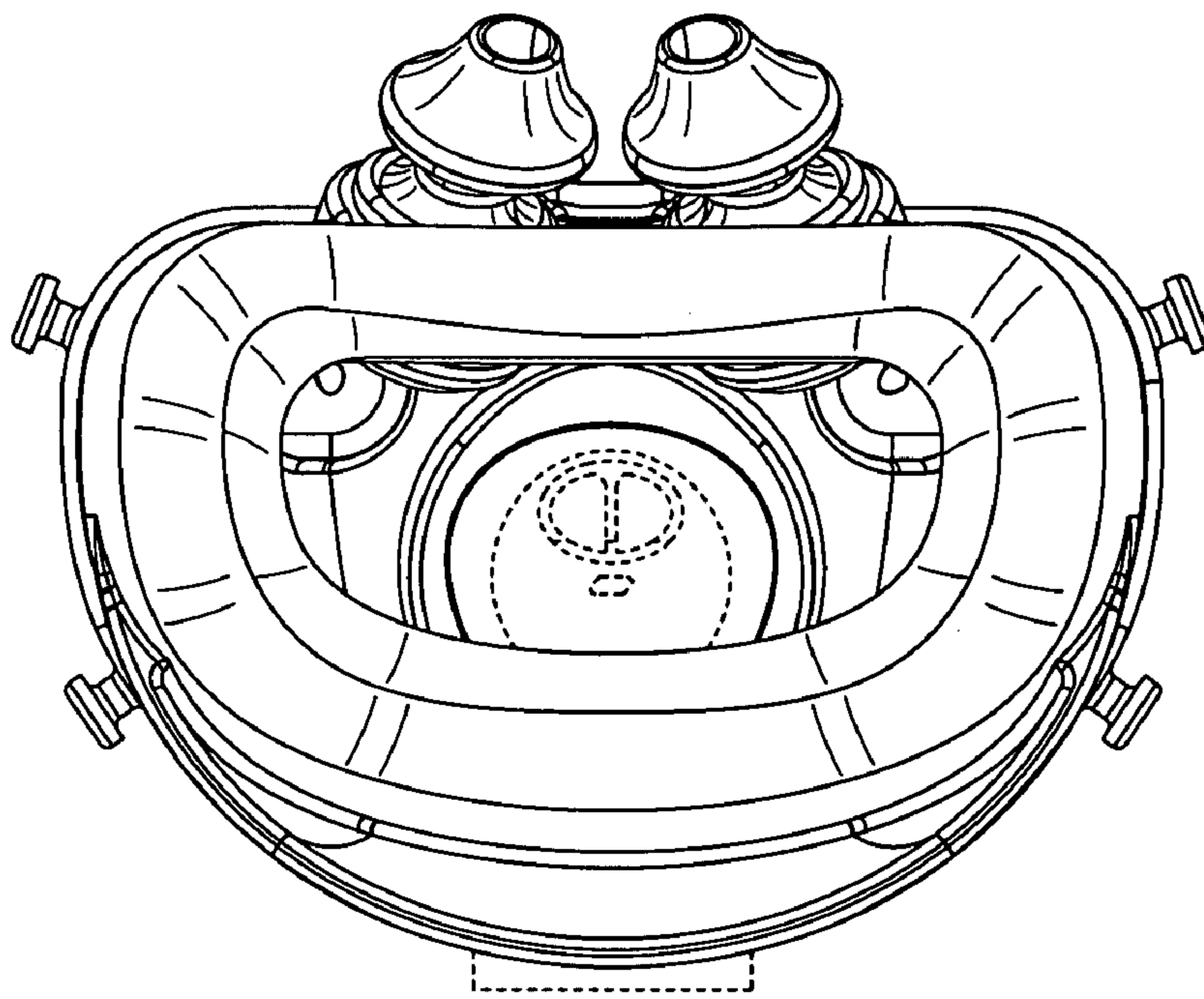


Fig. 5

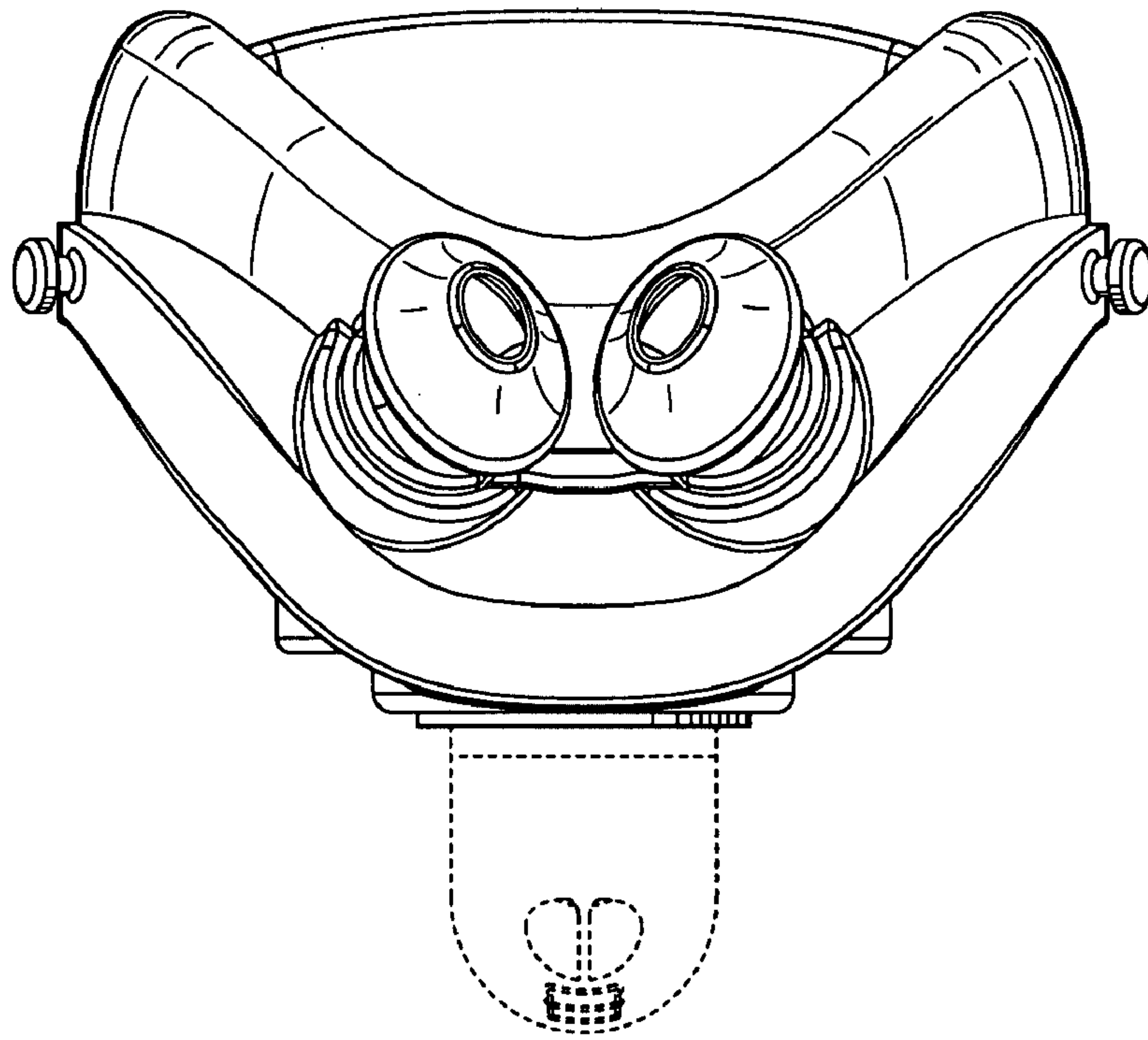


Fig. 6

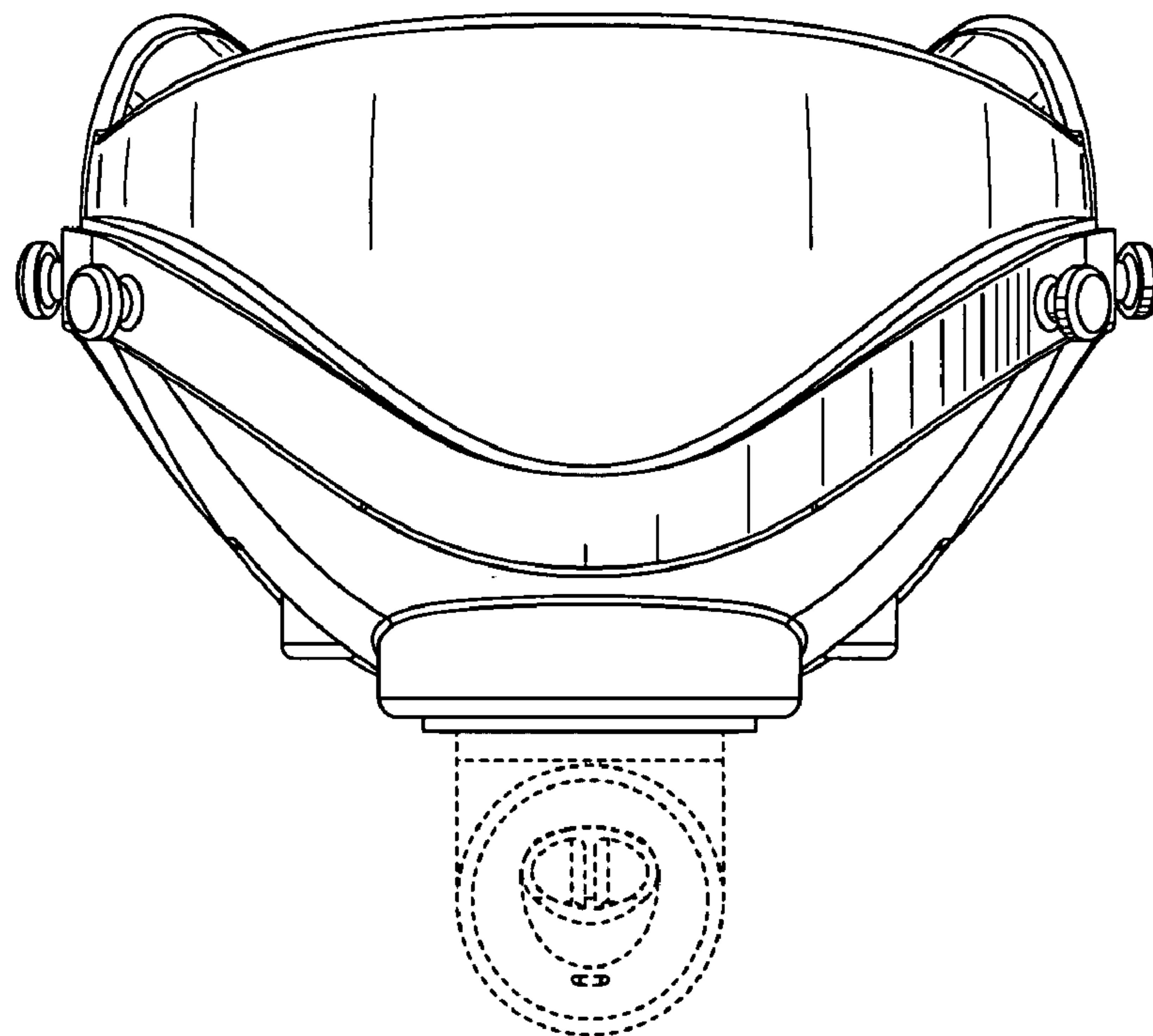


Fig. 7