



US00D550348S

(12) **United States Design Patent** (10) **Patent No.:** **US D550,348 S**
Copley et al. (45) **Date of Patent:** **** Sep. 4, 2007**

(54) **STEREOTACTIC HEAD FRAME LOCALIZER**

(75) Inventors: **Russell Copley**, Lowell, MA (US);
James O'Connor, Billerica, MA (US)

(73) Assignee: **Integra Radionics, Inc.**, Plainsboro, NJ (US)

(**) Term: **14 Years**

(21) Appl. No.: **29/214,333**

(22) Filed: **Sep. 30, 2004**

(51) **LOC (8) Cl.** **24-01**

(52) **U.S. Cl.** **D24/108**

(58) **Field of Classification Search** D24/107–108,
D24/140, 111; 606/130, 97, 90, 54; 600/427,
600/424–425, 429, 417, 420; D10/64, 183,
D10/190–191, 158

See application file for complete search history.

(56) **References Cited**

U.S. PATENT DOCUMENTS

D241,856 S *	10/1976	Williams	D14/299
4,341,220 A	7/1982	Perry		
4,360,028 A *	11/1982	Barbier et al.	600/436
D274,463 S *	6/1984	Clark	D24/183
4,618,978 A	10/1986	Cosman		
5,171,296 A *	12/1992	Herman	602/5
5,207,688 A *	5/1993	Carol	606/130
5,311,868 A	5/1994	Carbini et al.		
5,383,454 A	1/1995	Bucholz		
5,423,832 A	6/1995	Gildenberg		
5,531,229 A	7/1996	Dean et al.		
5,628,315 A	5/1997	Vilsmeier et al.		
5,665,095 A	9/1997	Jacobson		

5,690,108 A	11/1997	Chakeres		
5,706,811 A *	1/1998	Takeda et al.	600/417
5,728,106 A	3/1998	Misko et al.		
5,947,981 A	9/1999	Cosman		
6,355,049 B1 *	3/2002	Gill	606/130
6,374,135 B1 *	4/2002	Bucholz	600/427
D508,130 S *	8/2005	Hueton	D24/158
2003/0191466 A1 *	10/2003	Austin et al.	606/54
2005/0131425 A1 *	6/2005	Arndt et al.	606/130

* cited by examiner

Primary Examiner—Ian Simmons

Assistant Examiner—Anna J. Burmeister

(74) *Attorney, Agent, or Firm*—Fulwider Patton LLP

(57) **CLAIM**

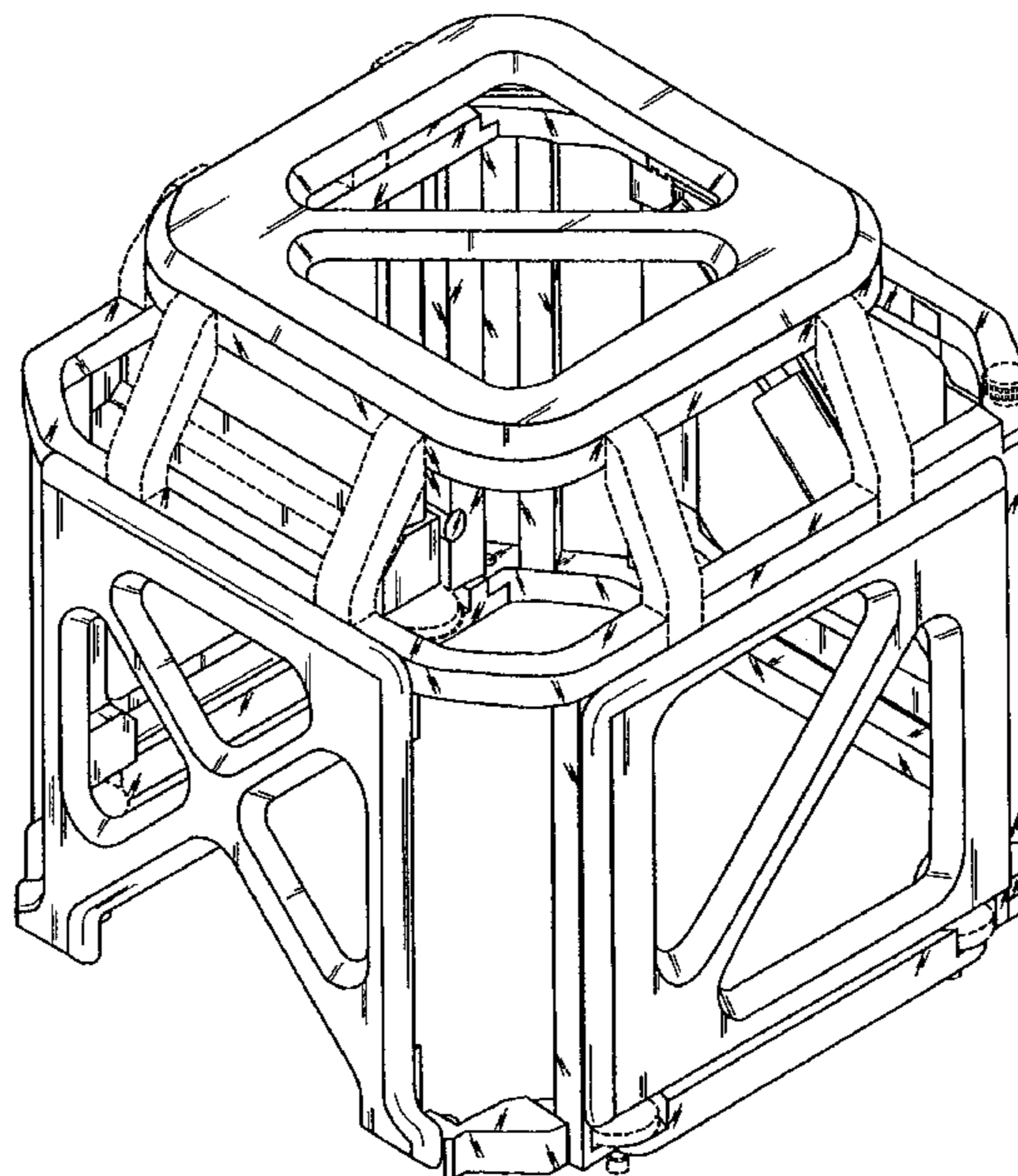
The ornamental design for a stereotactic head frame localizer, as shown and described.

DESCRIPTION

FIG. 1 is a top, right, front perspective view of the stereotactic head frame localizer according to the present design; FIG. 2 is a front elevational view thereof; FIG. 3 is a rear elevational view thereof; FIG. 4 is a right side elevational view thereof; FIG. 5 is a left side elevational view thereof; FIG. 6 is a top plan view thereof; FIG. 7 is a bottom plan view thereof; and, FIG. 8 is a left, top, rear perspective view thereof.

The broken lines shown in the drawings are for illustrative purposes only and form no part of the claimed design.

1 Claim, 8 Drawing Sheets



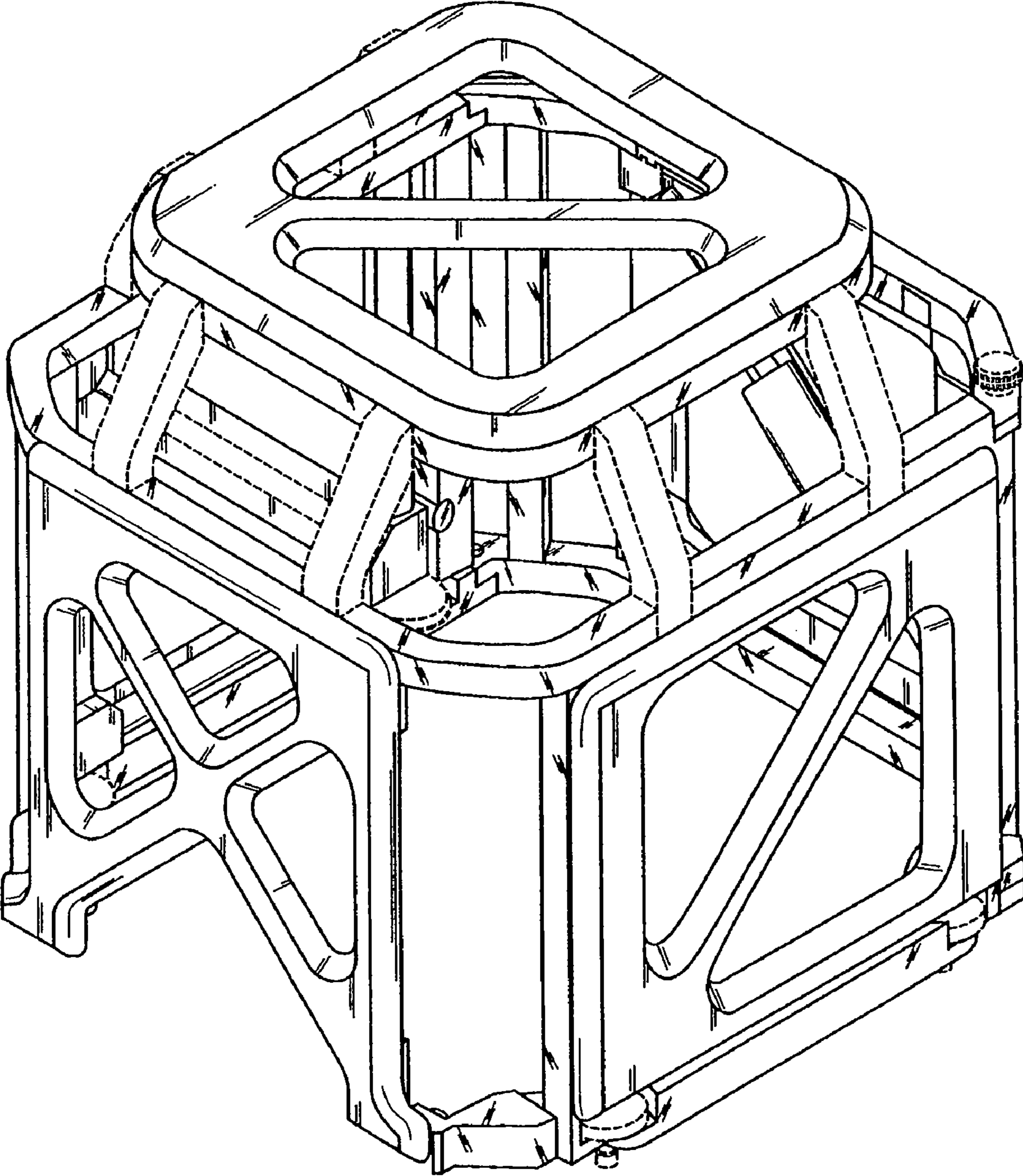


FIG. 1

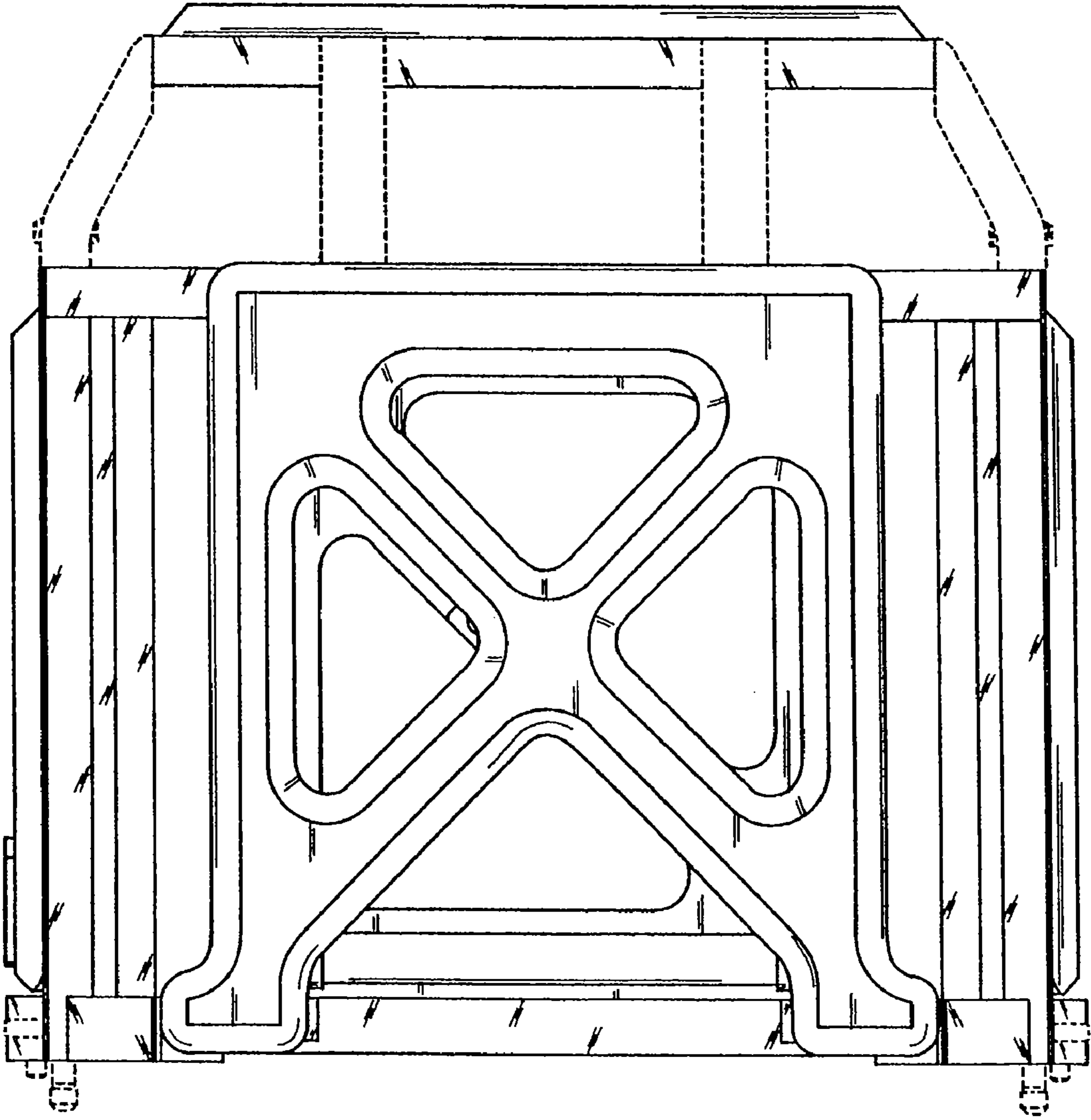


FIG. 2

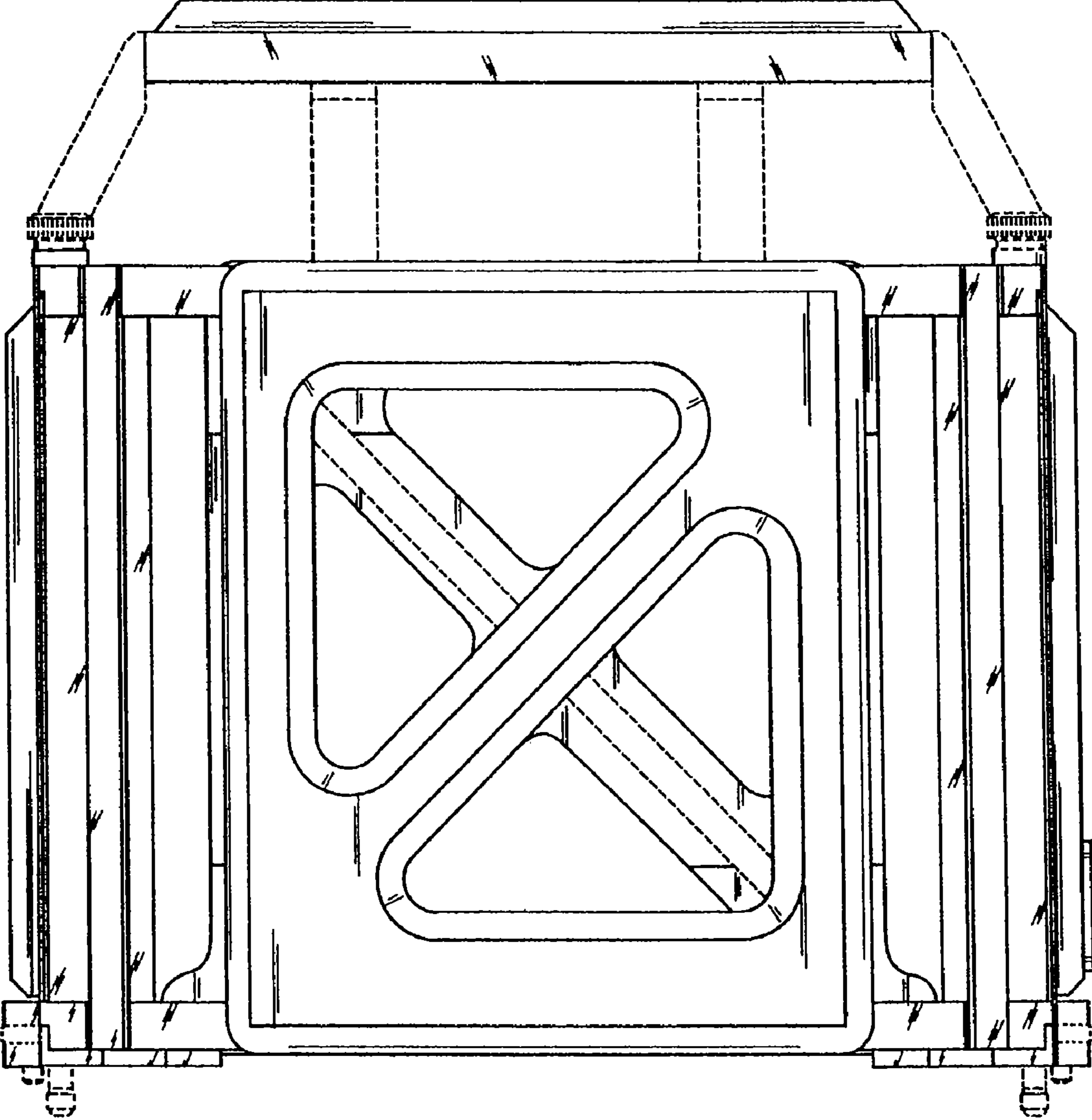


FIG. 3

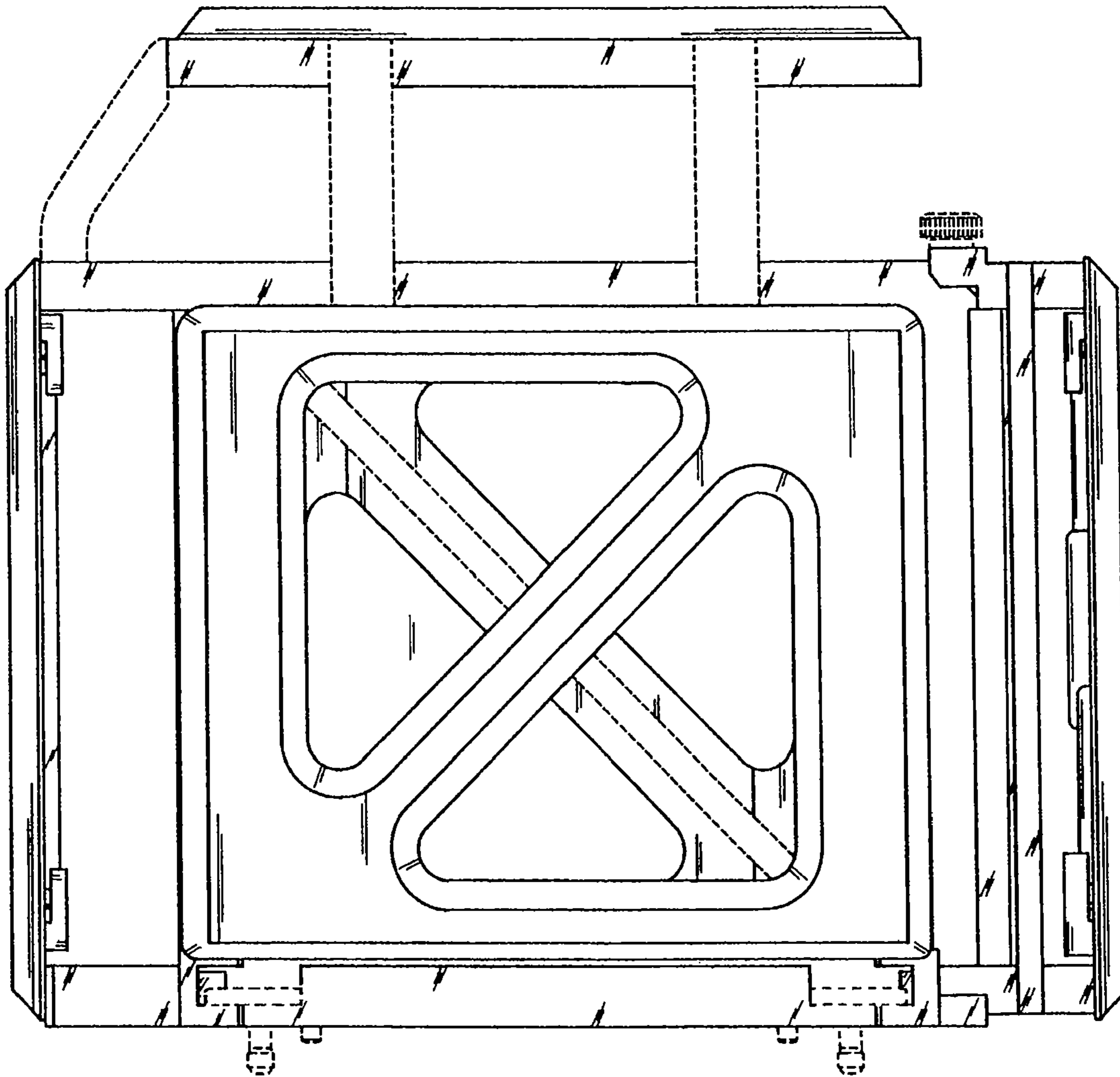


FIG. 4

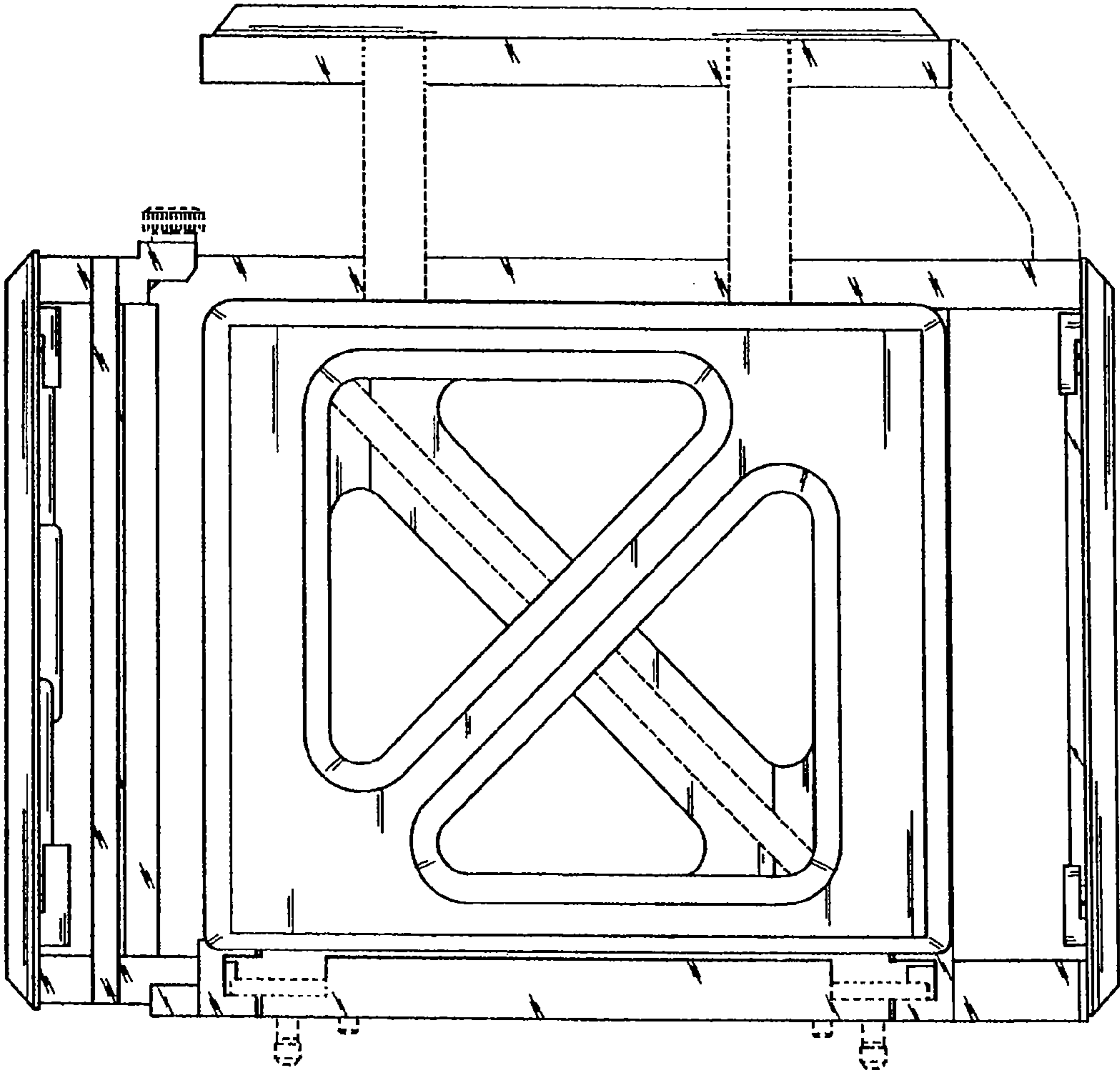


FIG. 5

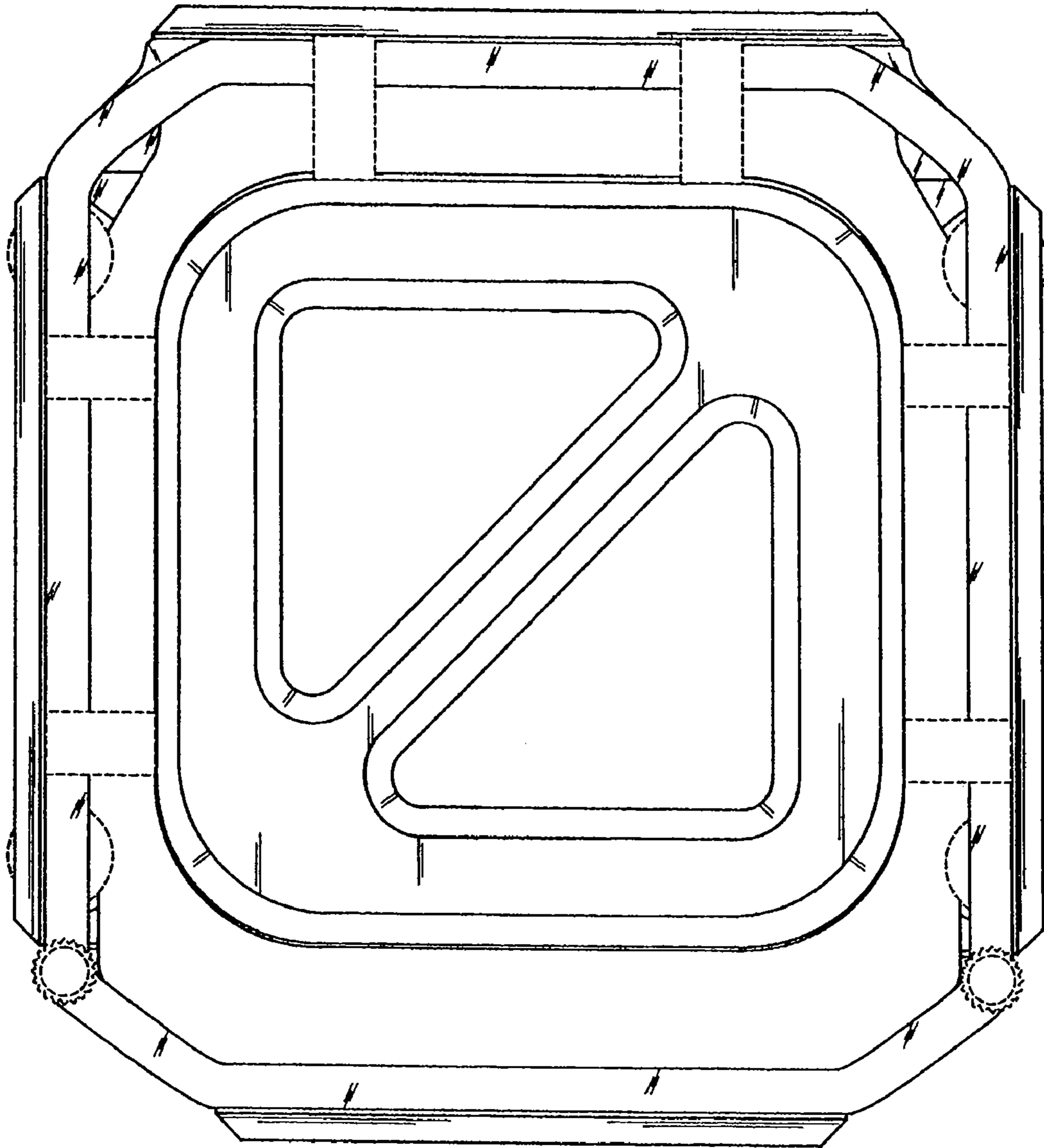


FIG. 6

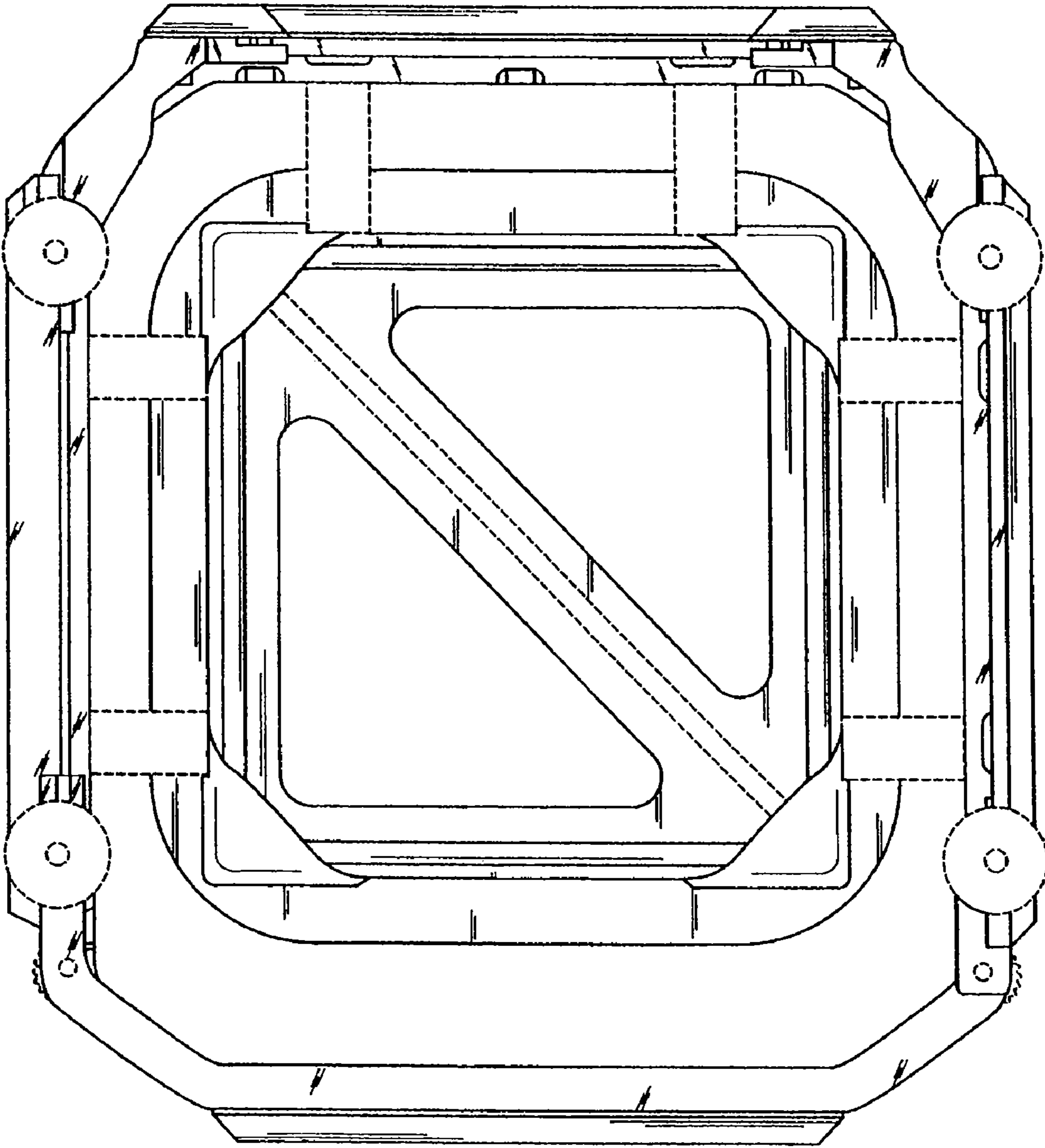


FIG. 7

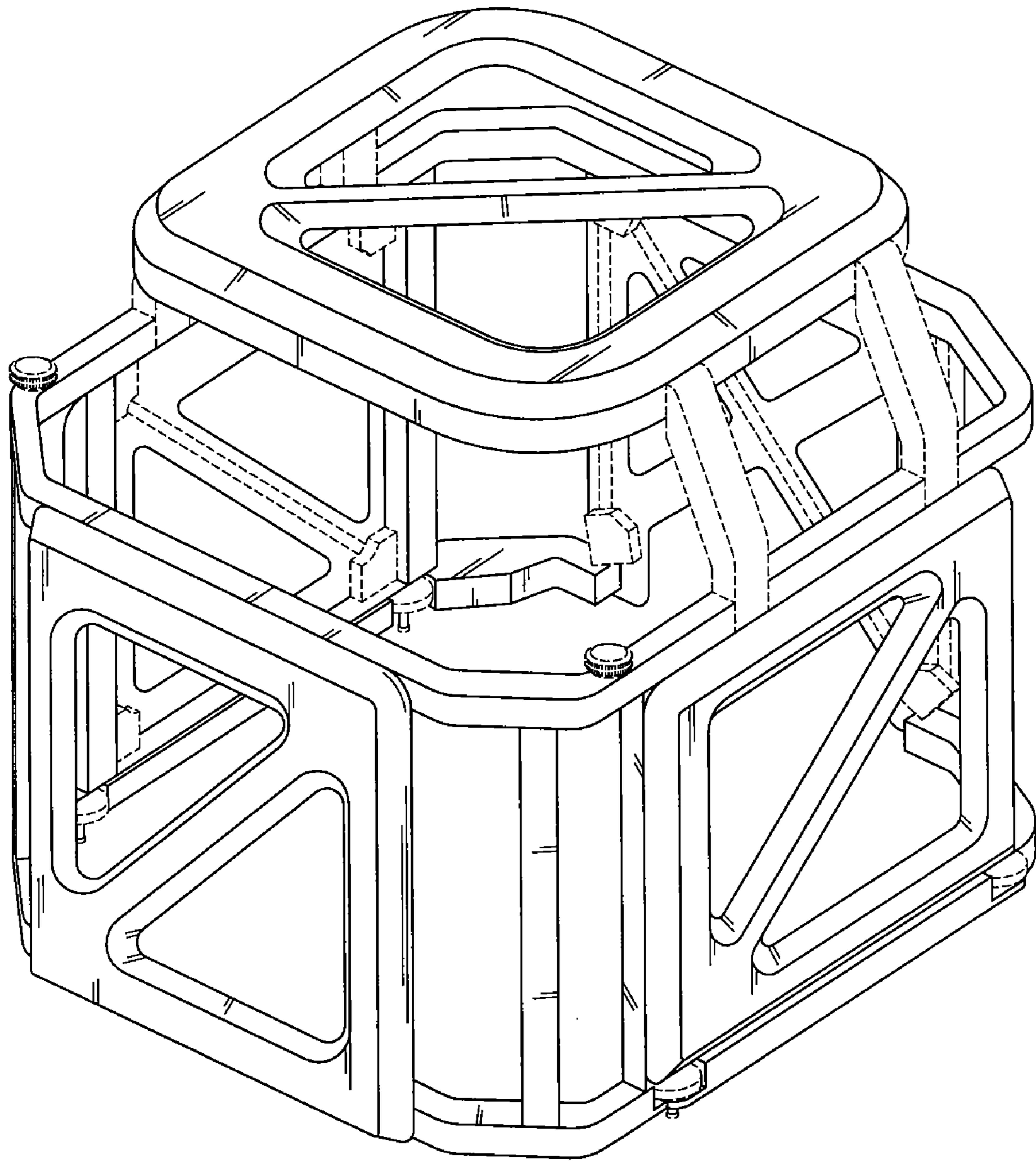


FIG. 8