



US00D550346S

(12) **United States Design Patent** (10) **Patent No.:** **US D550,346 S**
Ness (45) **Date of Patent:** **** Sep. 4, 2007**

(54) **VENT COVER**

(76) Inventor: **Robert J. Ness**, 4630 W. Bucks Dr.,
Lincoln, NE (US) 68523

(**) Term: **14 Years**

(21) Appl. No.: **29/242,992**

(22) Filed: **Nov. 17, 2005**

(51) **LOC (8) Cl.** **23-04**

(52) **U.S. Cl.** **D23/393**

(58) **Field of Classification Search** D23/393,
D23/373, 374; 454/367, 365, 366, 368, 13,
454/12, 3, 4, 24, 25; 52/219, 199; 285/41-43;
138/96 R

See application file for complete search history.

(56) **References Cited**

U.S. PATENT DOCUMENTS

580,515	A *	4/1897	Weeden	285/43
674,360	A *	5/1901	Le Count	454/12
1,683,548	A *	9/1928	Hughey	285/43
2,300,088	A *	10/1942	Artis	454/12
2,985,091	A *	5/1961	Hatcher	454/366
3,886,852	A *	6/1975	Acosta	454/366
4,202,255	A *	5/1980	McNamara	454/12
D257,283	S *	10/1980	Roberts	D23/373
4,442,643	A *	4/1984	Stadheim	52/219
5,080,007	A *	1/1992	Maheu	454/366
5,979,505	A *	11/1999	Drechsel	138/96 R

6,163,960 A * 12/2000 Poitras 454/366
2003/0110554 A1 * 6/2003 Hernandez 454/367

* cited by examiner

Primary Examiner—Louis Zarfes

Assistant Examiner—David Muller

(74) *Attorney, Agent, or Firm*—Thomte, Mazour &
Niebergall; Shane M. Niebergall

(57) **CLAIM**

The ornamental design for a vent cover, as shown and described.

DESCRIPTION

FIG. 1 is a front perspective view of one preferred embodiment of the vent cover of the present invention as the same could be coupled to the roof of a structure;

FIG. 2 is a top plan view of the vent cover depicted in FIG. 1;

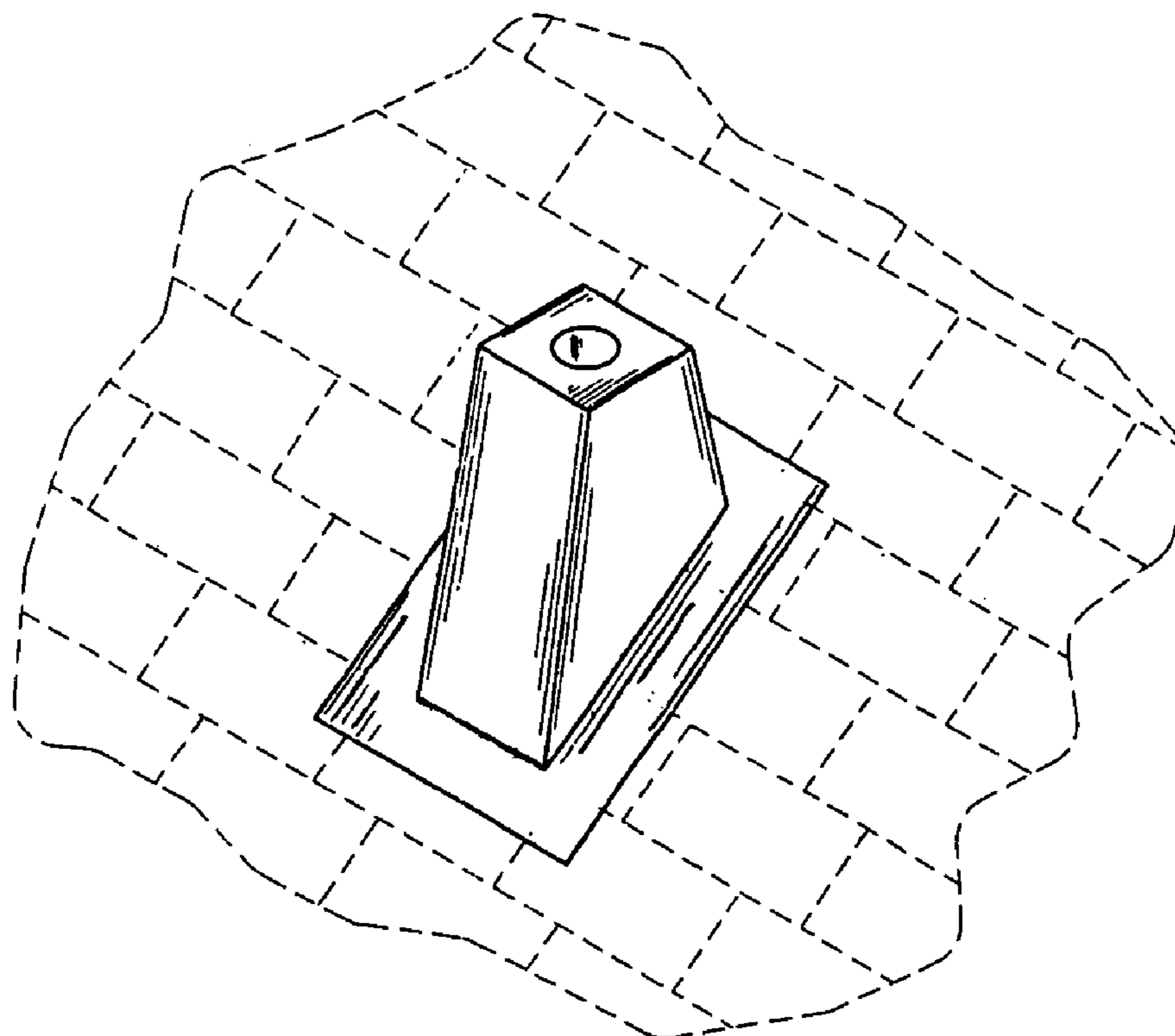
FIG. 3 is a rear elevation view of the vent cover depicted in FIG. 1;

FIG. 4 is a side elevation view of the vent cover depicted in FIG. 1;

FIG. 5 is a front elevation view of the vent cover depicted in FIG. 1; and,

FIG. 6 is a bottom plan view of the vent cover depicted in FIG. 1.

1 Claim, 1 Drawing Sheet



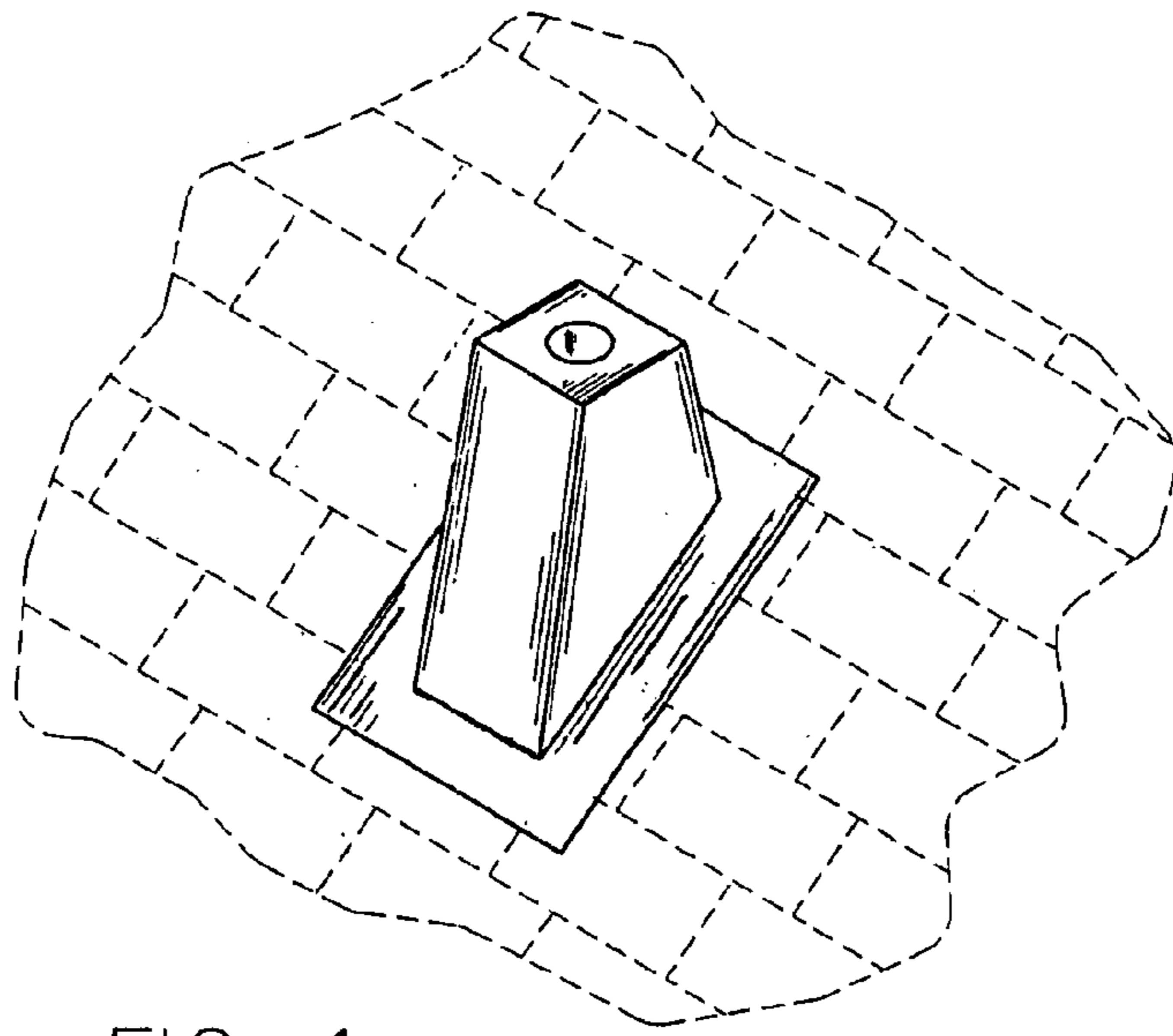


FIG. 1

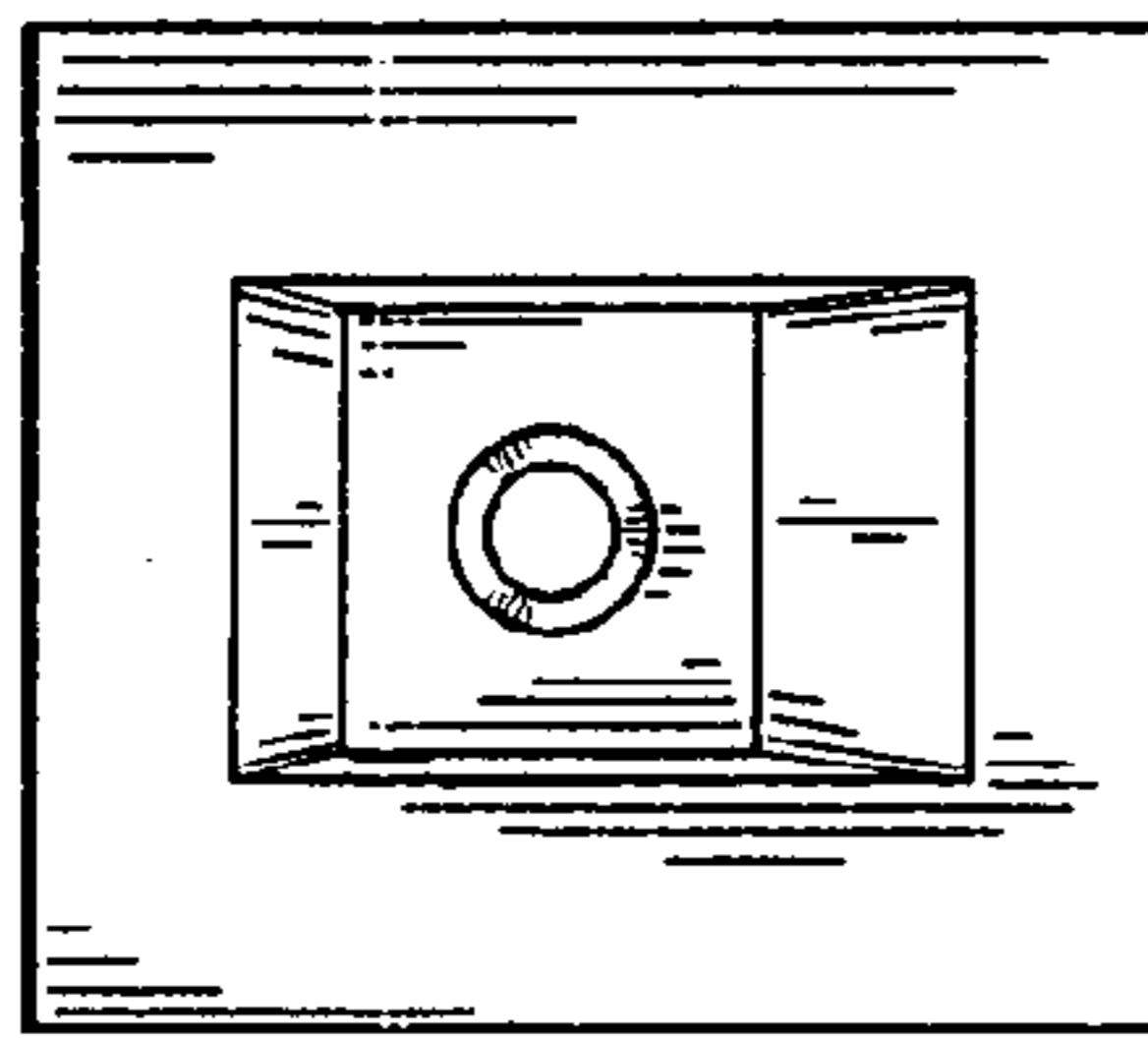


FIG. 2

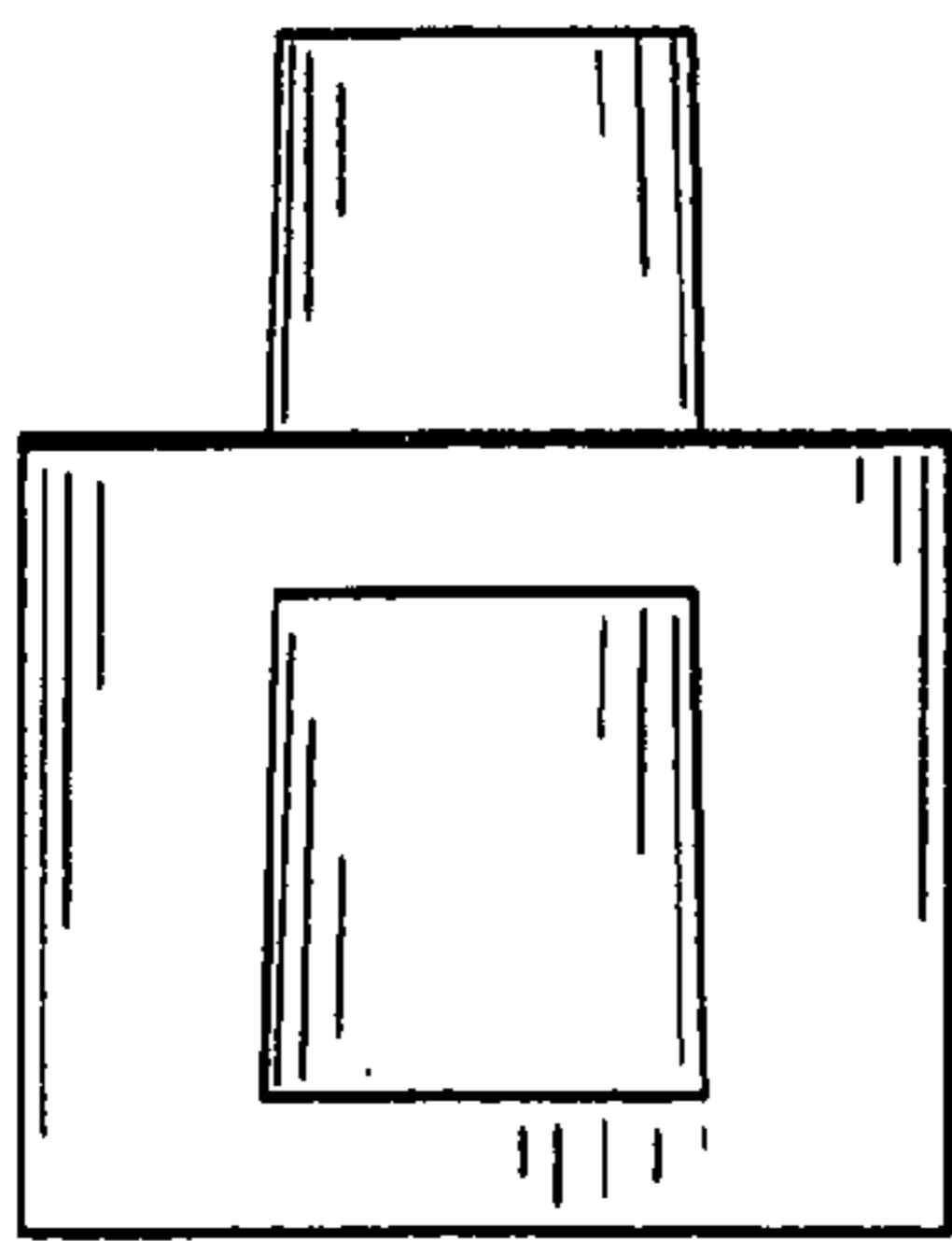


FIG. 3

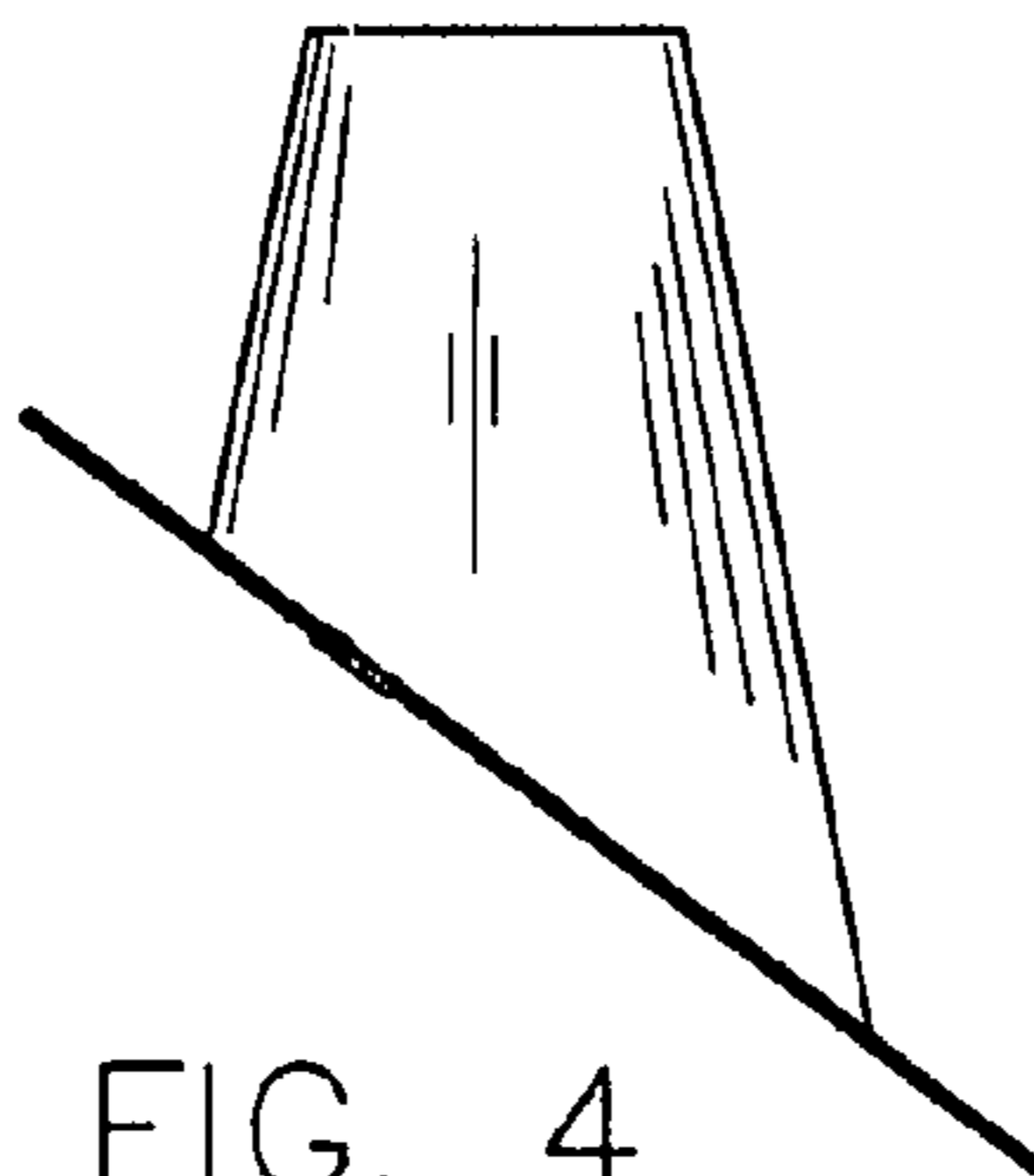


FIG. 4

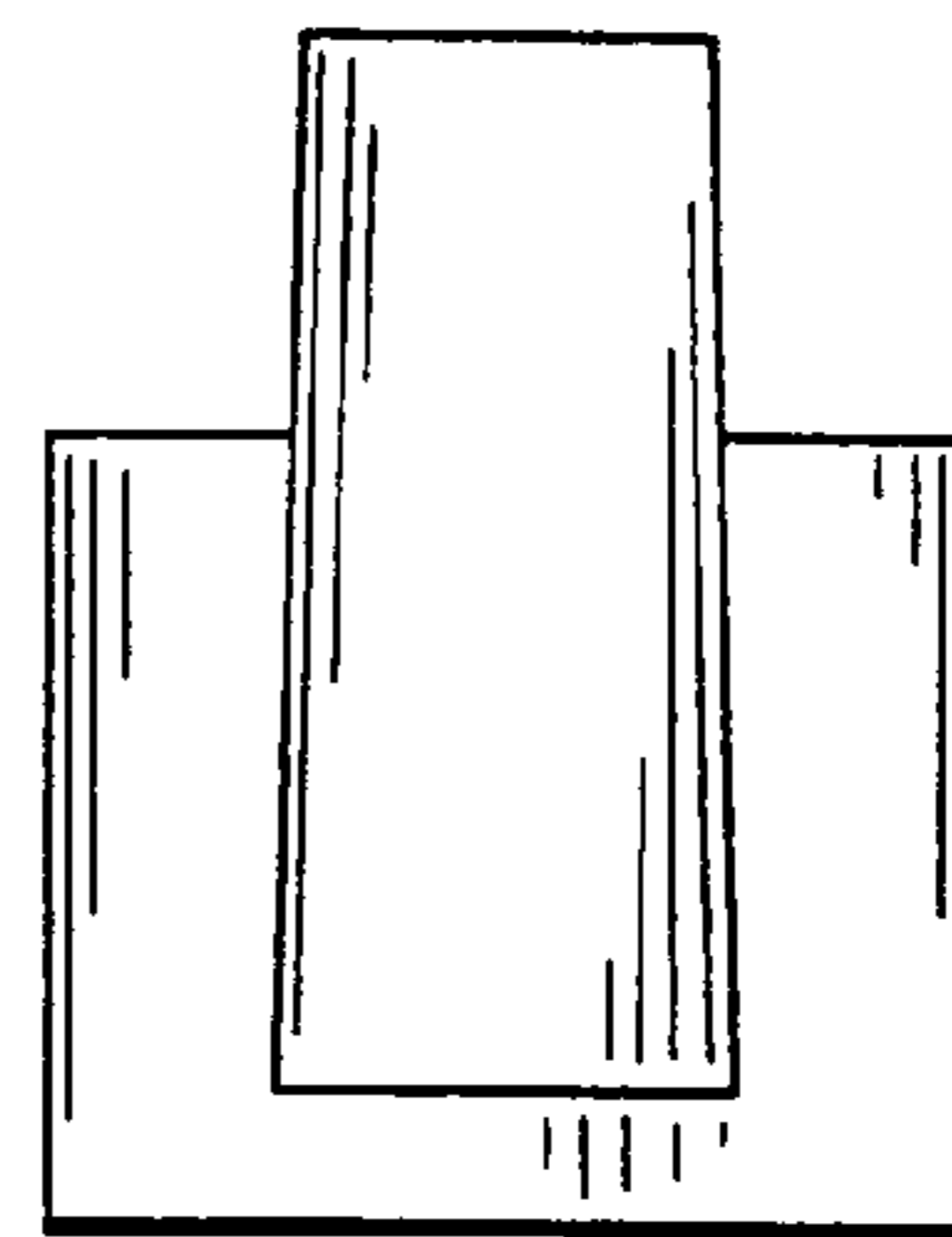


FIG. 5

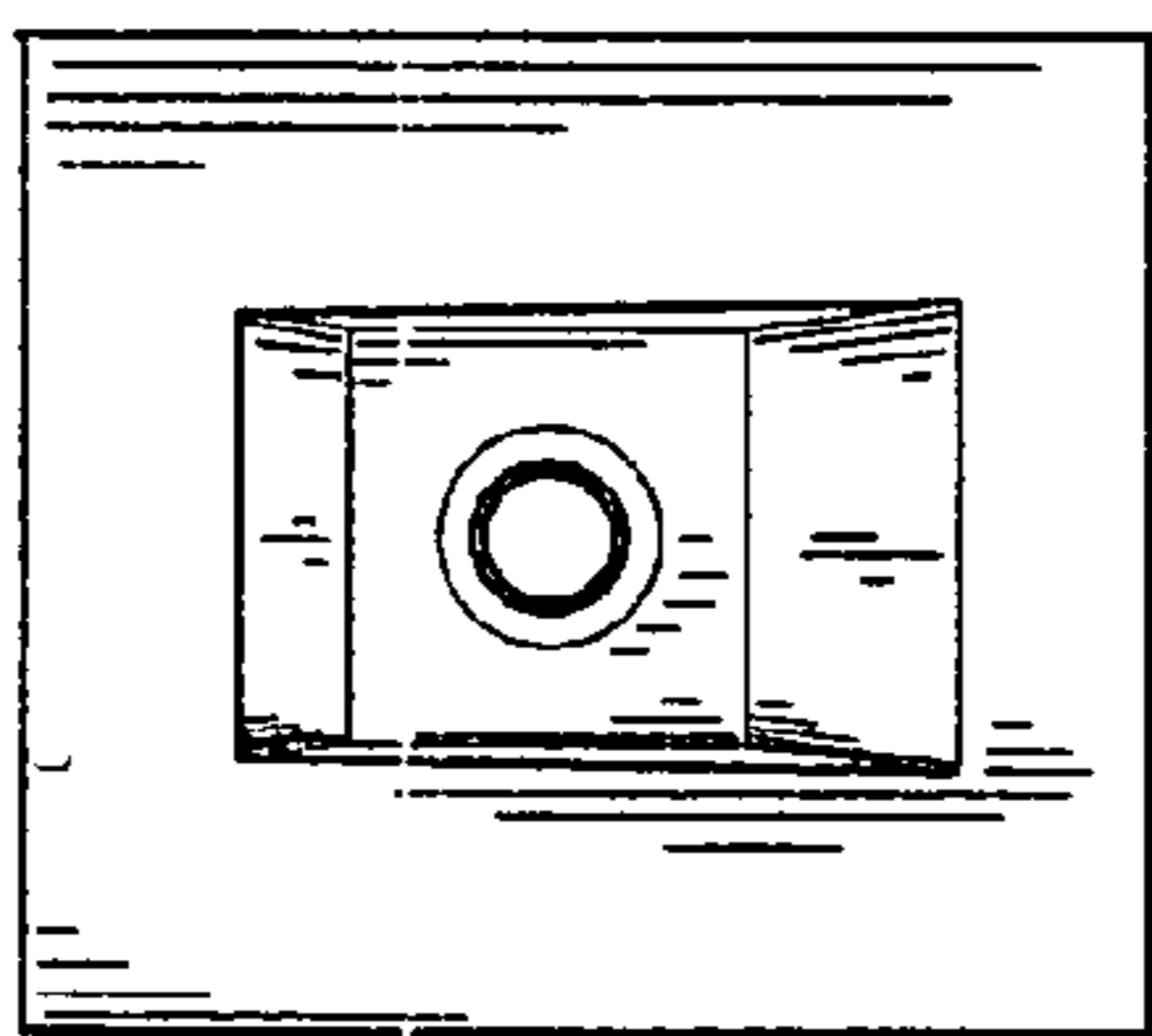


FIG. 6