



US00D550345S

(12) **United States Design Patent**
Weggelaar

(10) **Patent No.:** **US D550,345 S**

(45) **Date of Patent:** **** Sep. 4, 2007**

(54) **AIR DEODORISING APPARATUS**

(75) Inventor: **Bjorn Weggelaar**, Haarlem (NL)

(73) Assignee: **Sara Lee Household and Body Care Nederland B.V.**, Utrecht (NL)

(**) Term: **14 Years**

(21) Appl. No.: **29/270,542**

(22) Filed: **Dec. 27, 2006**

(30) **Foreign Application Priority Data**

Jul. 10, 2006 (EM) 000557483-0001

(51) **LOC (8) Cl.** **28-99**

(52) **U.S. Cl.** **D23/366**

(58) **Field of Classification Search** 261/DIG. 17,
261/DIG. 42, DIG. 65, DIG. 88, DIG. 89;
D23/355-369; D28/5, 6; 392/341, 342,
392/386, 390, 392, 393, 394, 401; 239/34,
239/35, 42, 60, 53-58, 136, 326; D11/43,
D11/79

See application file for complete search history.

(56) **References Cited**

U.S. PATENT DOCUMENTS

D323,383 S *	1/1992	Keays et al.	D23/366
D441,441 S *	5/2001	Upson	D23/366
6,631,852 B1 *	10/2003	O'Leary	239/60
D487,308 S *	3/2004	Engerant	D23/366
D490,886 S *	6/2004	Engerant	D23/366
D493,515 S *	7/2004	Morillas	D23/366
D493,878 S *	8/2004	Morillas	D23/366
D494,668 S *	8/2004	Morillas	D23/366
D495,044 S *	8/2004	Morillas	D23/366
D497,424 S *	10/2004	Morillas	D23/366
D497,665 S *	10/2004	Morillas	D23/366

D497,986 S *	11/2004	Morillas	D23/366
D498,524 S *	11/2004	Morillas	D23/366
D498,836 S *	11/2004	Morillas	D23/366
D503,974 S *	4/2005	Morillas	D23/366
D504,500 S *	4/2005	Morillas	D23/366

* cited by examiner

Primary Examiner—Sandra Snapp

(74) *Attorney, Agent, or Firm*—Kilpatrick Stockton LLP

(57) **CLAIM**

I claim the ornamental design for an air deodorising apparatus, as shown.

DESCRIPTION

FIG. 1 is a perspective view of an air deodorising apparatus comprising the present invention.

FIG. 2 is another perspective view of the air deodorising apparatus shown in FIG. 1.

FIG. 3 is a front elevational view of the air deodorising apparatus shown in FIG. 1 and FIG. 2.

FIG. 4 is a rear elevational view of the air deodorising apparatus shown in FIG. 1, FIG. 2, and FIG. 3.

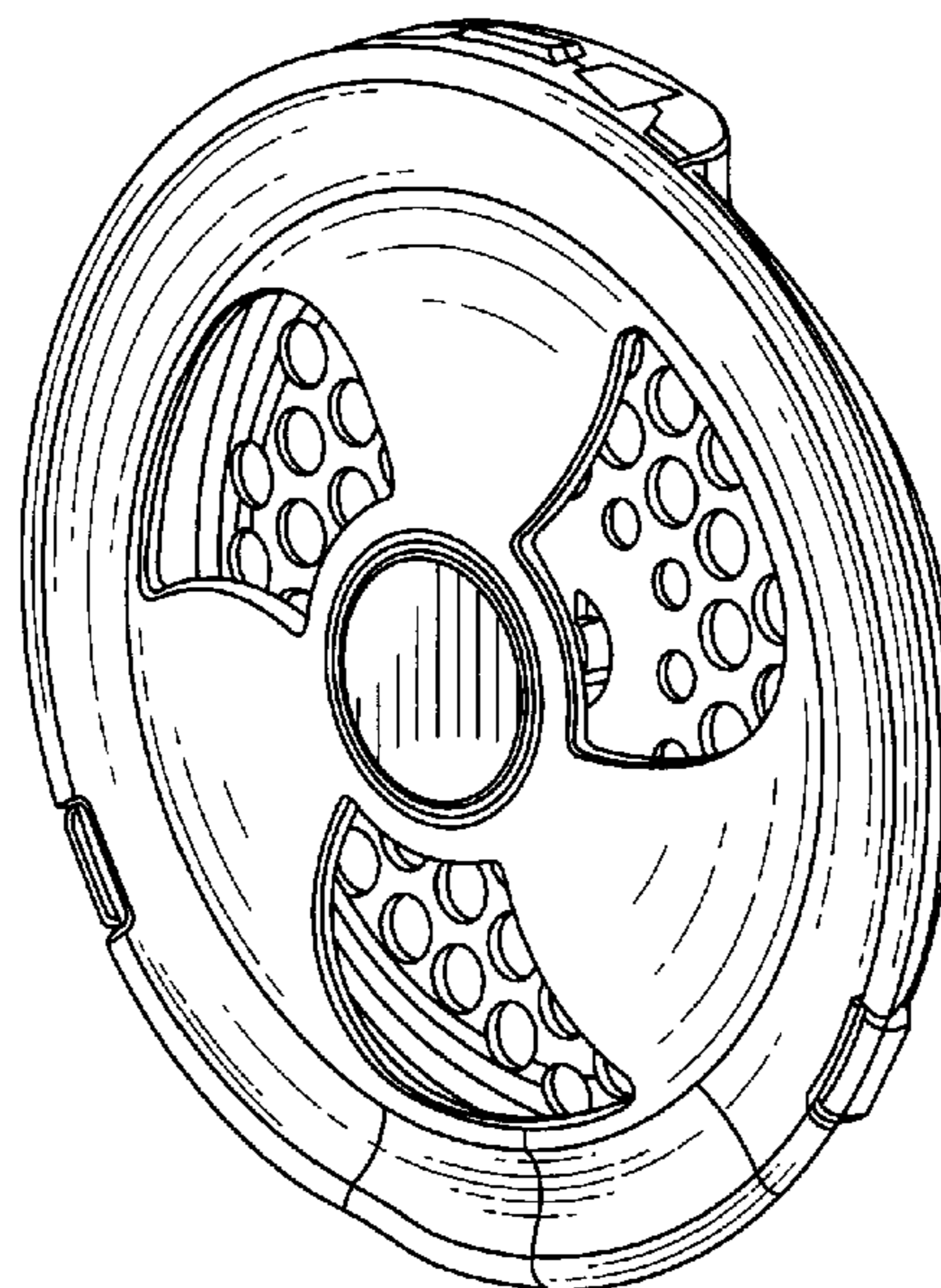
FIG. 5 is a side elevational view of the air deodorising apparatus shown in FIG. 1, FIG. 2, FIG. 3, and FIG. 4.

FIG. 6 is another side elevational view of the air deodorising apparatus shown in FIG. 1, FIG. 2, FIG. 3, FIG. 4, and FIG. 5.

FIG. 7 is a top plan view of the air deodorising apparatus shown in FIG. 1, FIG. 2, FIG. 3, FIG. 4, FIG. 5, and FIG. 6; and,

FIG. 8 is a bottom plan view of the air deodorising apparatus shown in FIG. 1, FIG. 2, FIG. 3, FIG. 4, FIG. 5, FIG. 6 and FIG. 7.

1 Claim, 7 Drawing Sheets



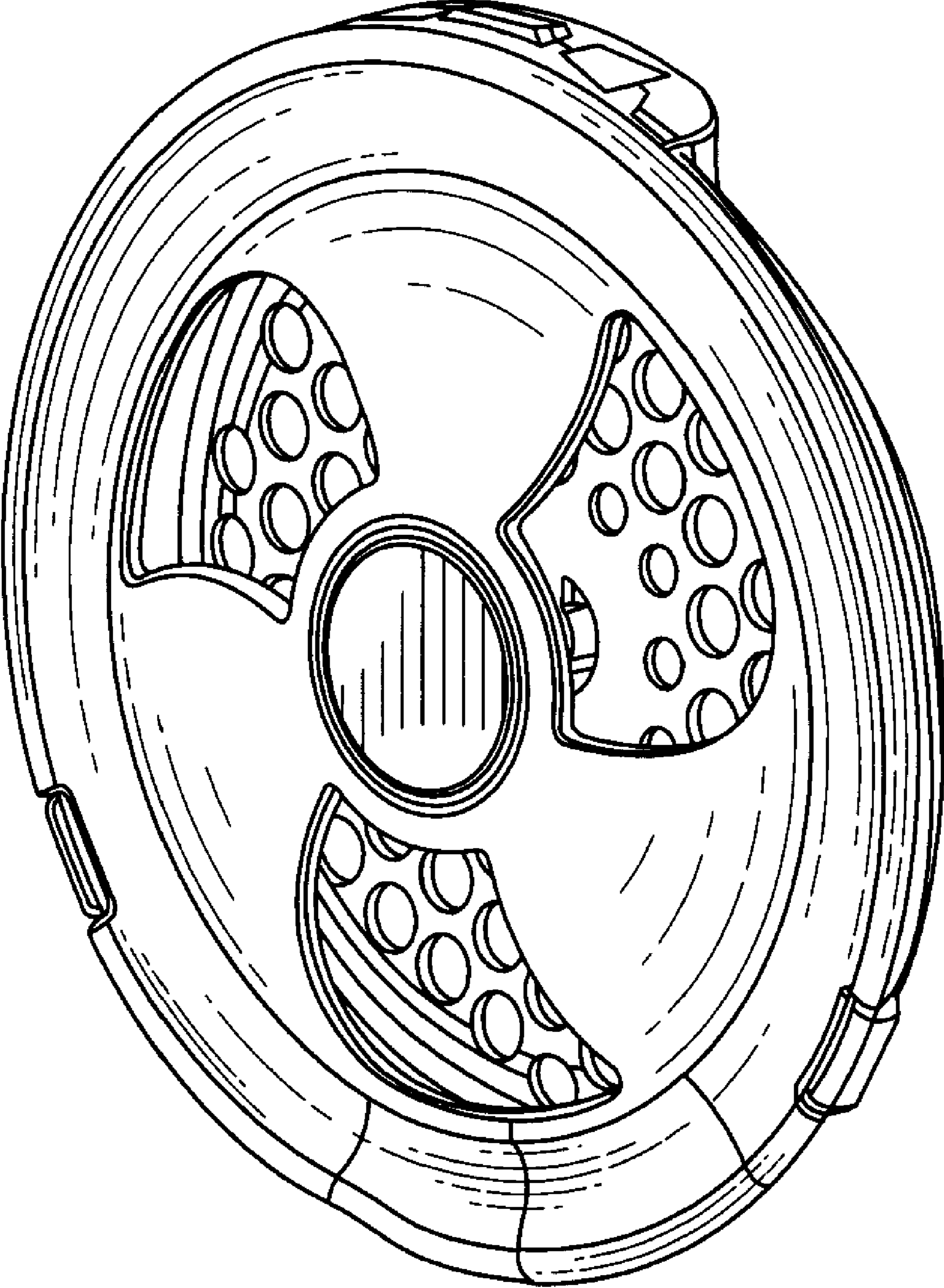


FIG. 1

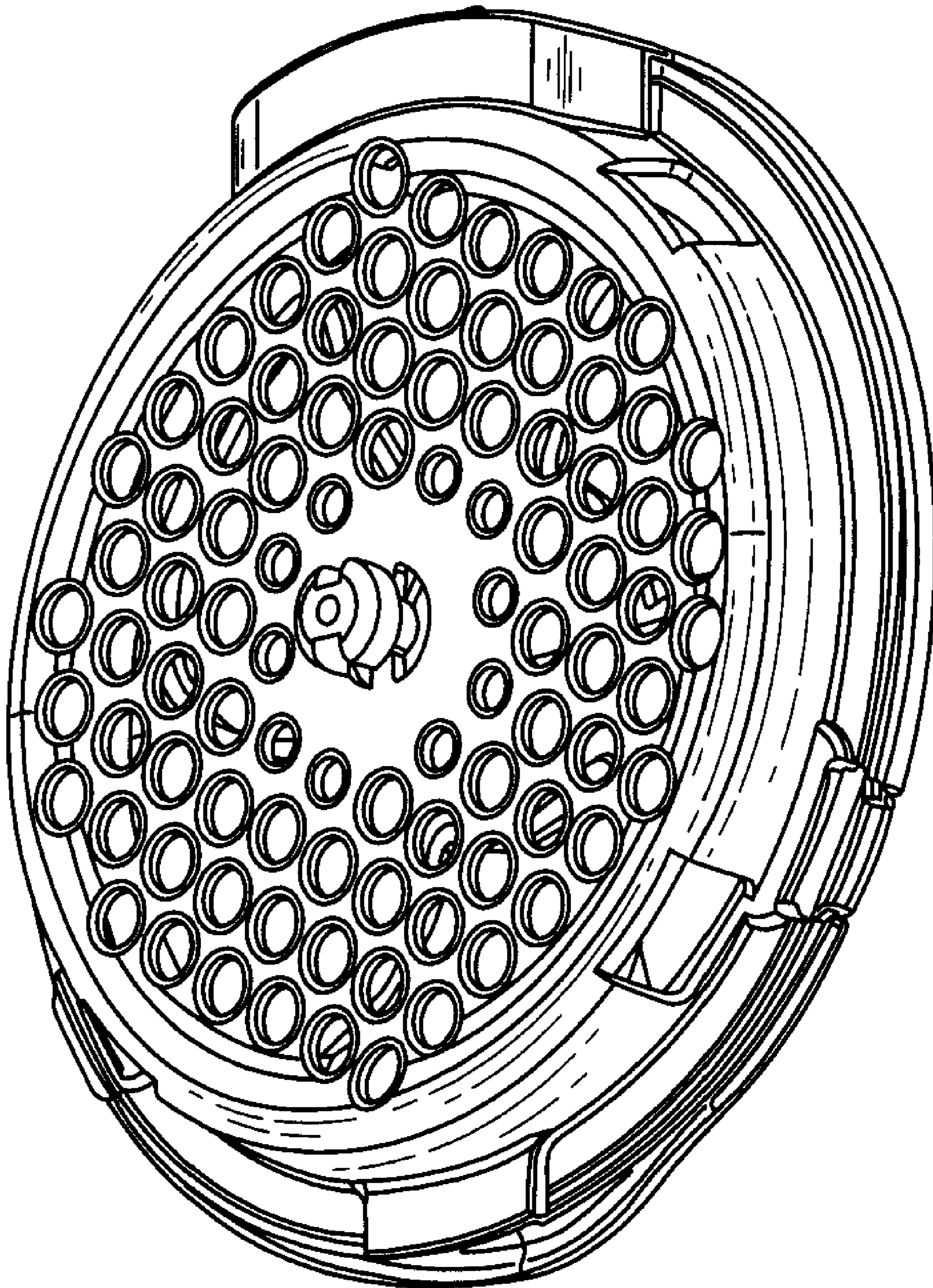


FIG. 2

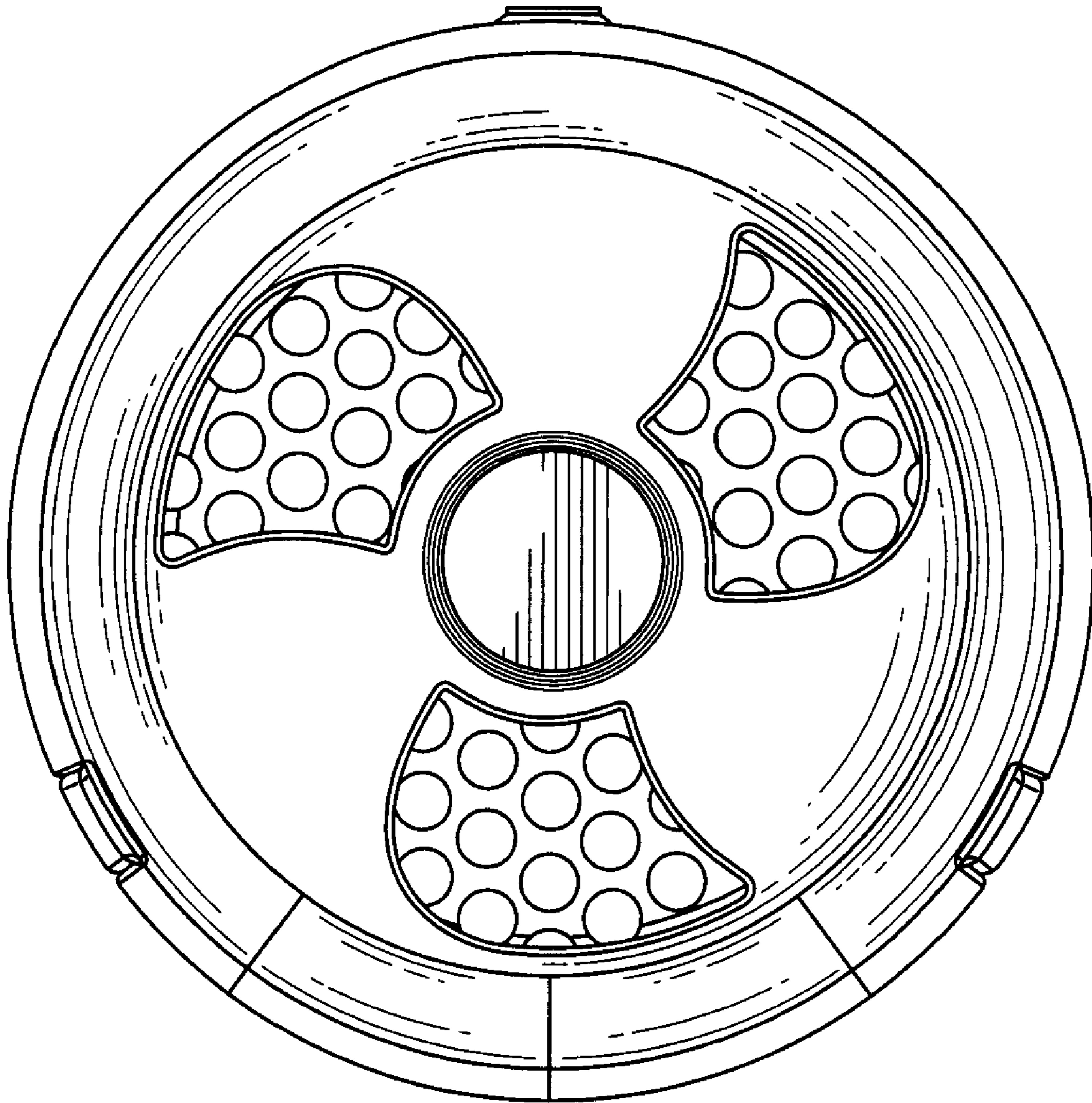


FIG. 3

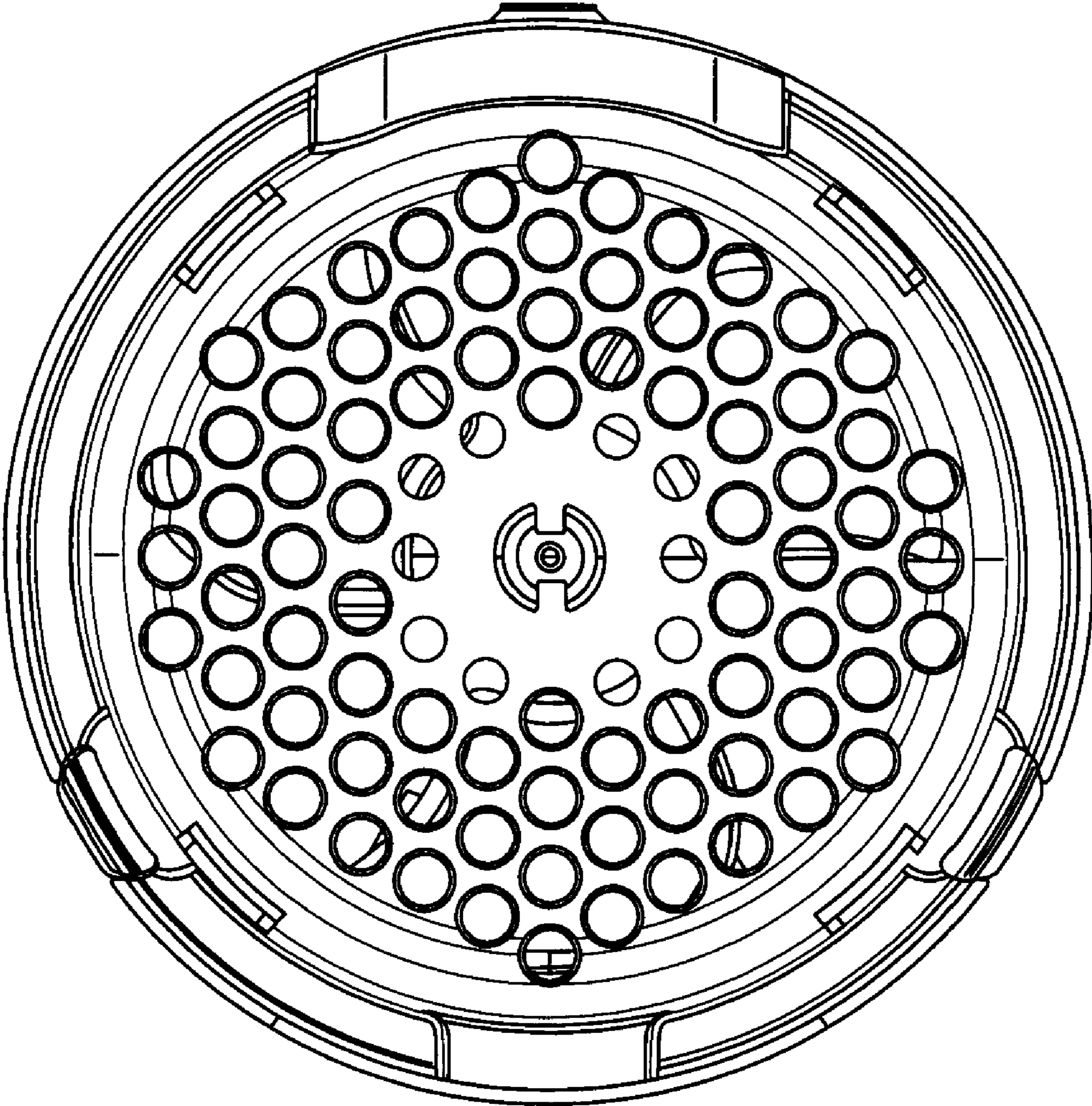


FIG. 4

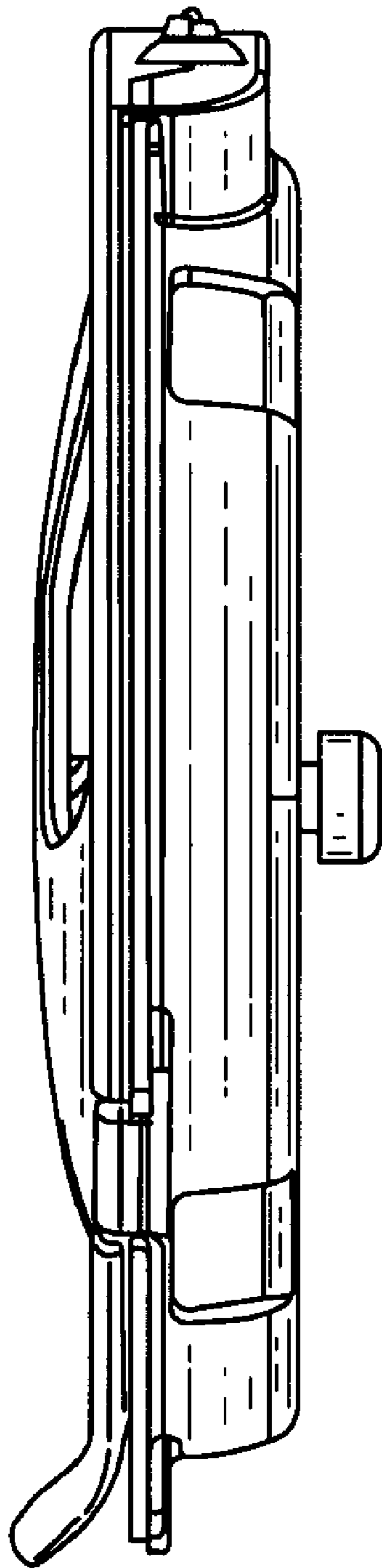


FIG. 5

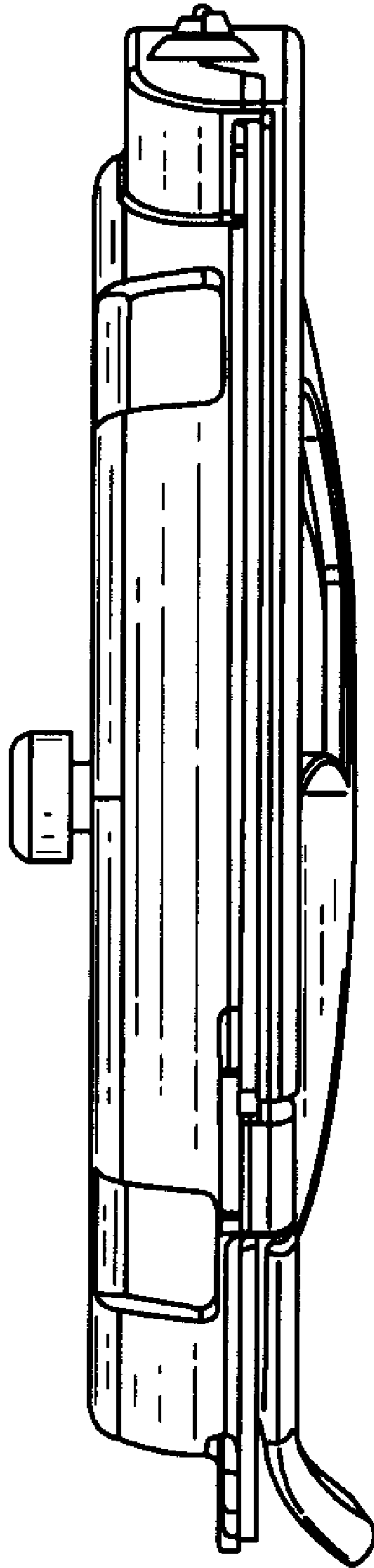


FIG. 6

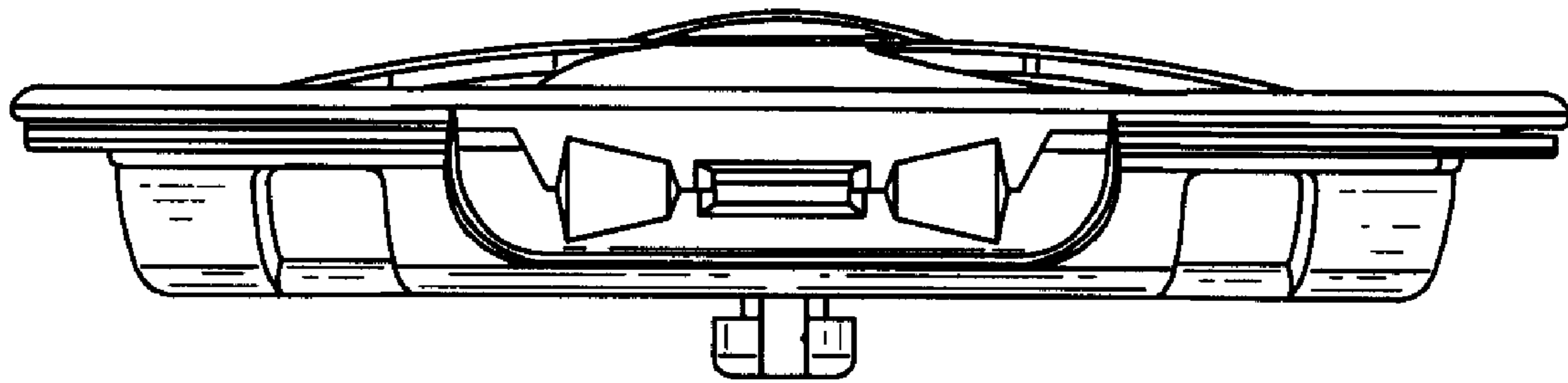


FIG. 7

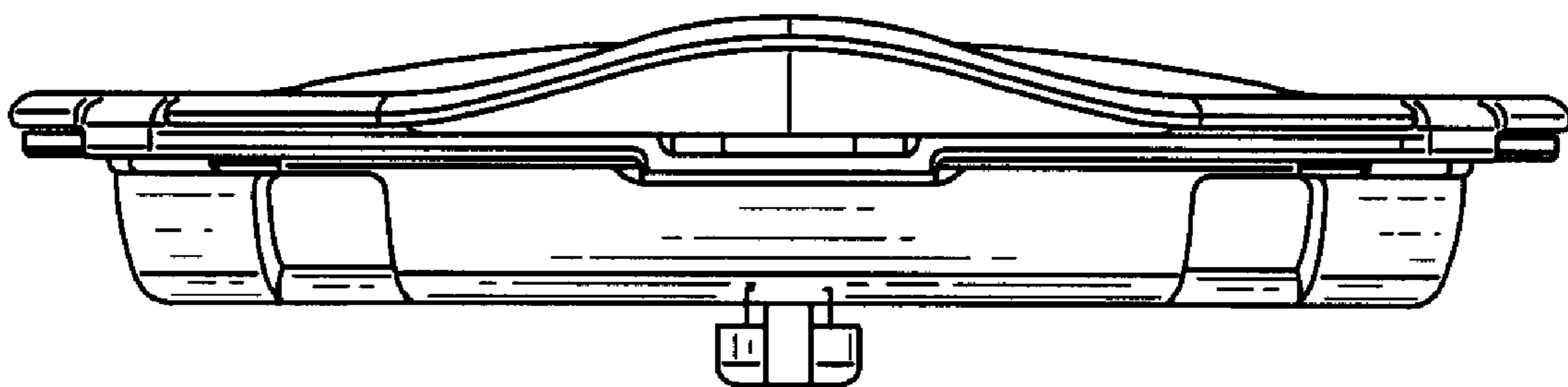


FIG. 8