

US00D550343S

(12) **United States Design Patent**
Chen

(10) **Patent No.:** **US D550,343 S**

(45) **Date of Patent:** **** Sep. 4, 2007**

(54) **STAND AIR PURIFIER**

(75) Inventor: **Yaogang Chen, Xi'an (CN)**

(73) Assignee: **Xi'an Kong Hong Information
Technology Co., Ltd., Xi'an (CN)**

(**) Term: **14 Years**

(21) Appl. No.: **29/275,777**

(22) Filed: **Jan. 5, 2007**

(51) **LOC (8) Cl.** **23-04**

(52) **U.S. Cl.** **D23/364**

(58) **Field of Classification Search** D23/364,
D23/359, 355, 356, 360, 362, 386, 352, 366,
D23/369, 332, 333, 335, 336, 342, 381, 387;
55/356, 473, 504; 210/497.1; 96/97; D14/188,
D14/170, 172, 242; 422/120, 122
See application file for complete search history.

(56) **References Cited**

U.S. PATENT DOCUMENTS

D362,499 S *	9/1995	Kerner et al.	D23/386
D437,037 S *	1/2001	Deros et al.	D23/364
D462,754 S *	9/2002	Briggs et al.	D23/364
D472,626 S *	4/2003	Nakamura	D23/364
D481,786 S *	11/2003	Tokunaga	D23/364
D489,800 S *	5/2004	Tokunaga	D23/364
D489,801 S *	5/2004	Shimizu	D23/364

D503,972 S *	4/2005	Pippel et al.	D23/355
D521,135 S *	5/2006	Kita	D23/364
D529,161 S *	9/2006	De'Longhi	D23/364
D537,157 S *	2/2007	Murai	D23/364
D537,512 S *	2/2007	Nakajima	D23/359
2006/0015974 A1 *	1/2006	Ike	D23/359

* cited by examiner

Primary Examiner—Louis Zarfaz

Assistant Examiner—David G. Muller

(74) *Attorney, Agent, or Firm*—Hamre, Schumann, Mueller
& Lerson, P.C.

(57) **CLAIM**

The ornamental design for stand air purifier, as shown and described.

DESCRIPTION

FIG. 1 is a perspective view of a stand air purifier in accordance with my invention thereof;

FIG. 2 is a front view thereof;

FIG. 3 is a back view thereof;

FIG. 4 is a left side view thereof;

FIG. 5 is a right side view thereof;

FIG. 6 is a top view thereof; and,

FIG. 7 is a bottom view thereof.

1 Claim, 6 Drawing Sheets





Fig. 1

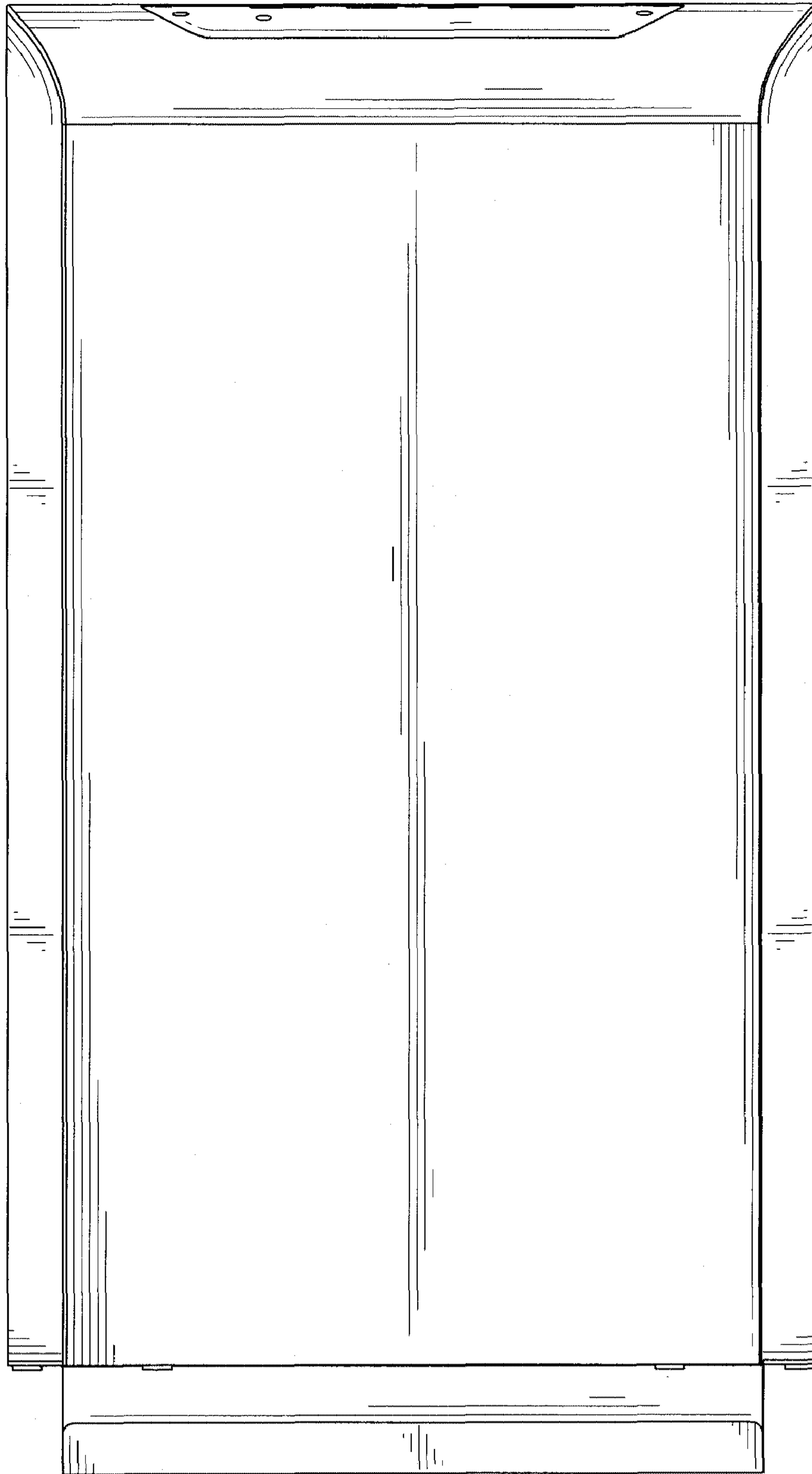


Fig. 2

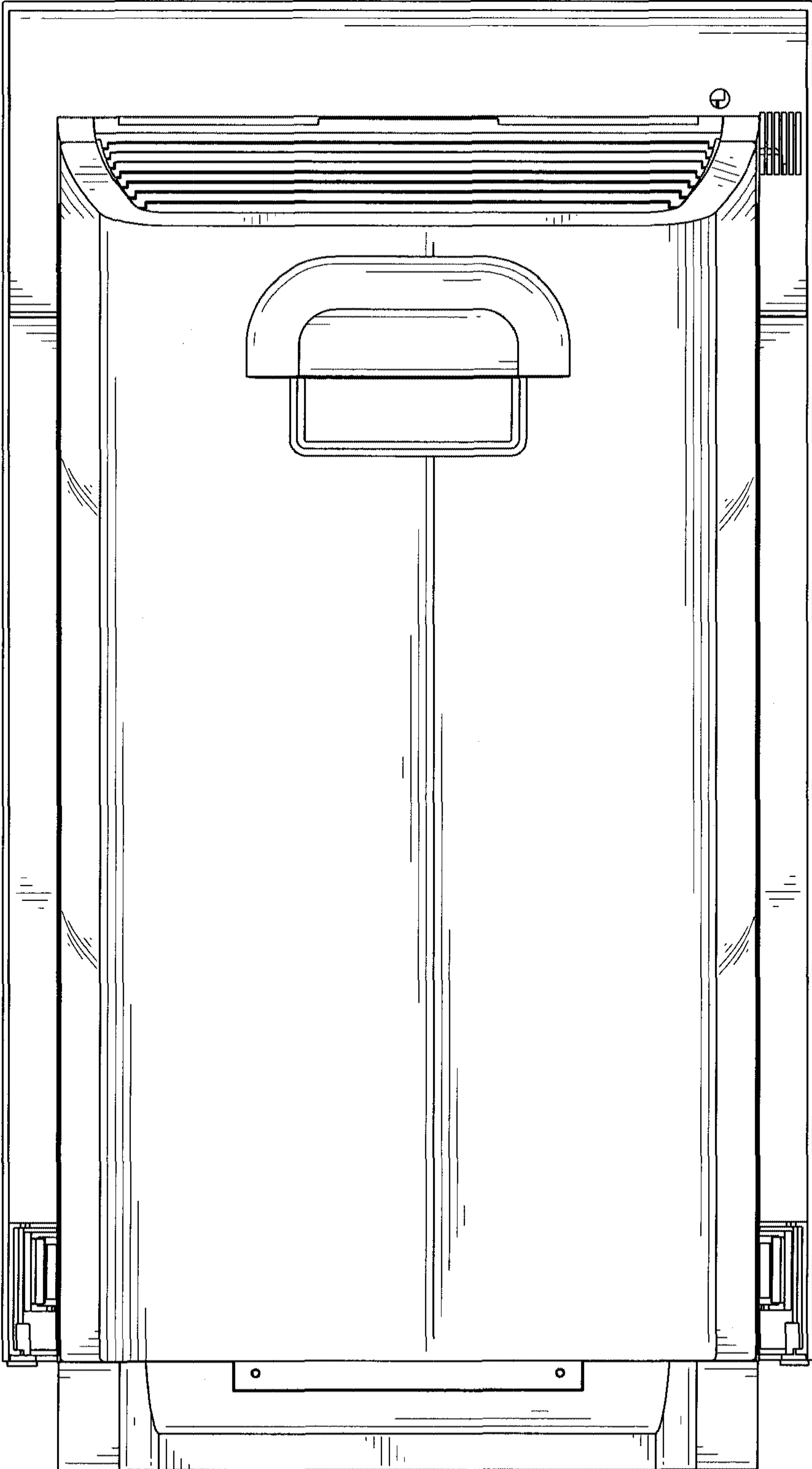


Fig. 3

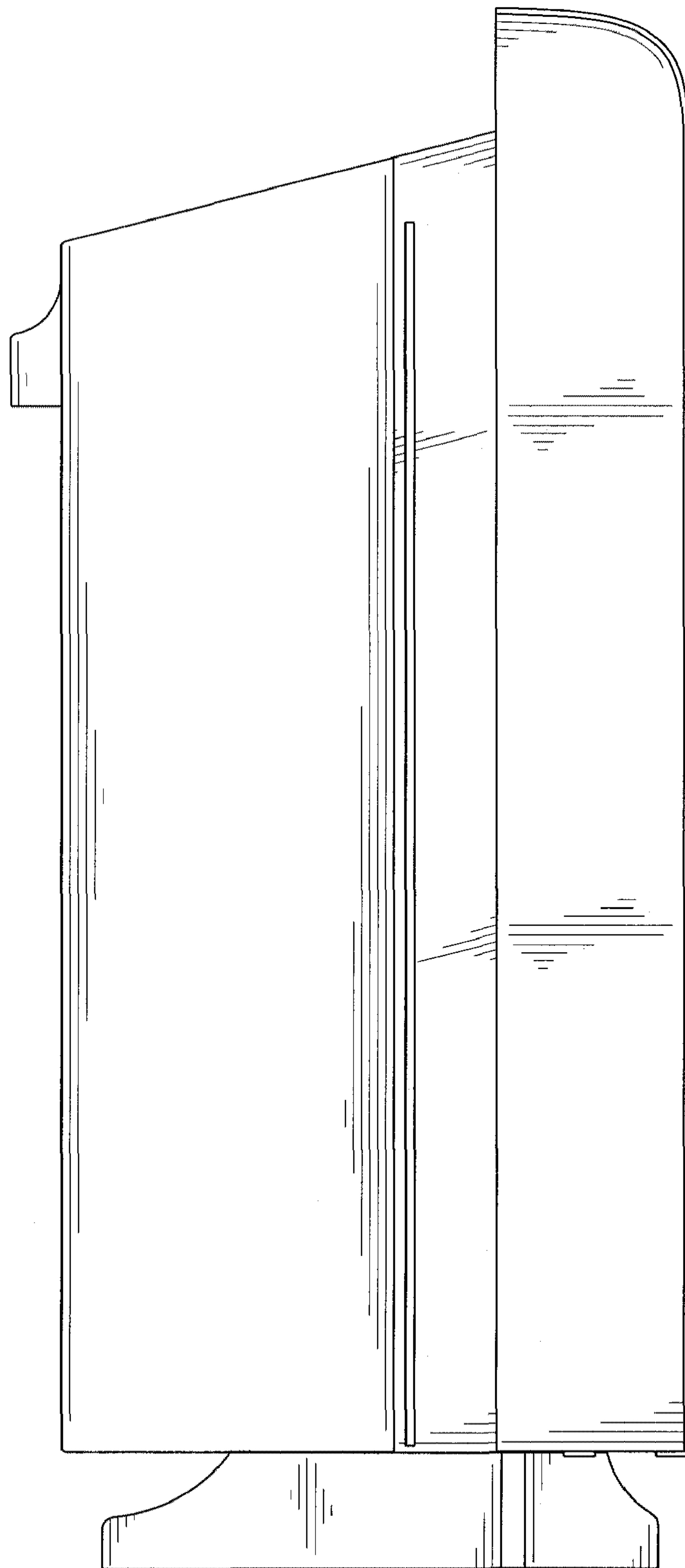


Fig. 4

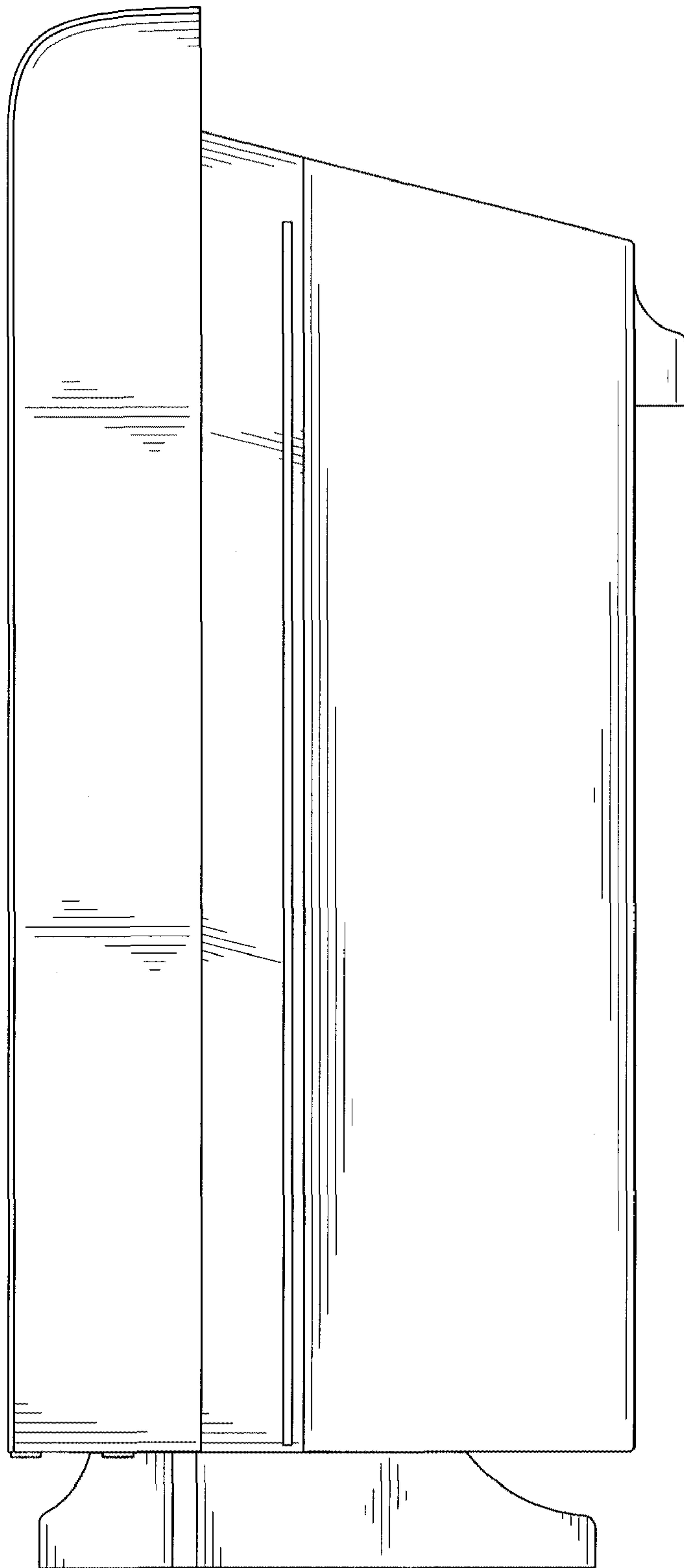


Fig. 5

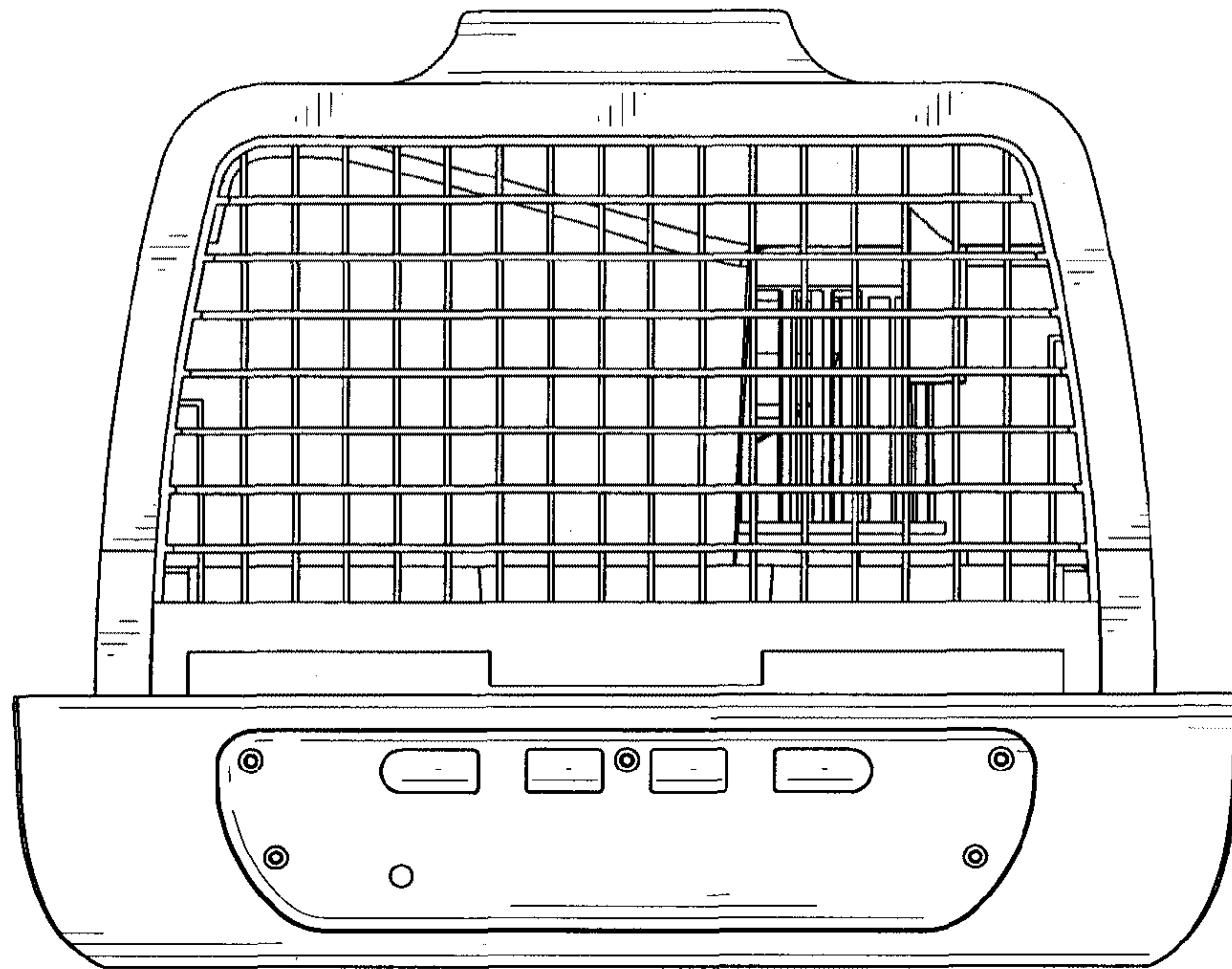


Fig. 6

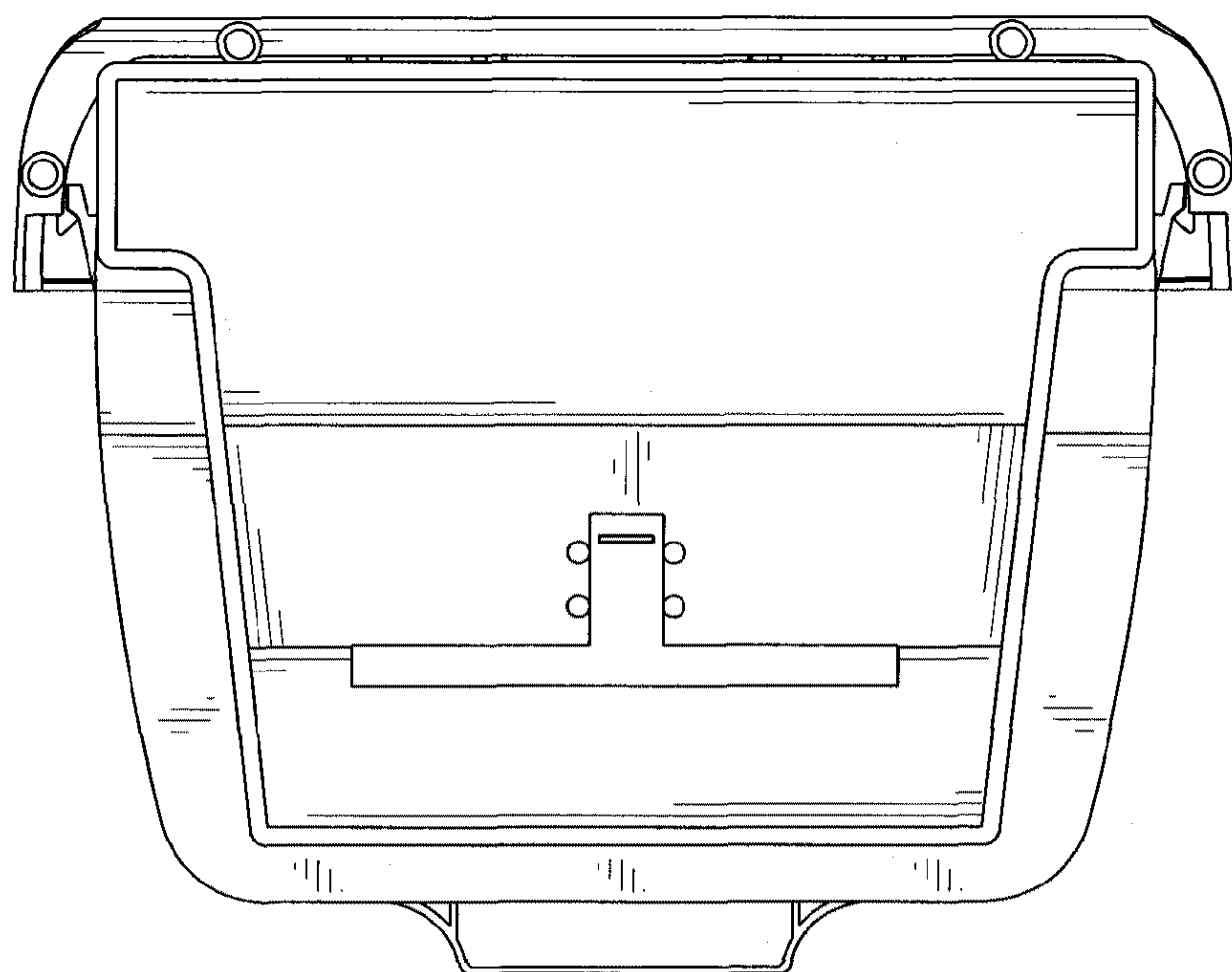


Fig. 7