



US00D550336S

(12) **United States Design Patent**  
**Hurt**

(10) **Patent No.:** **US D550,336 S**

(45) **Date of Patent:** **\*\* Sep. 4, 2007**

(54) **PORTABLE SINK**

(74) *Attorney, Agent, or Firm*—Haugen Law Firm PLLP

(75) Inventor: **Daniel P. Hurt**, Spring Park, MN (US)

(57) **CLAIM**

(73) Assignee: **Legacy Holdings, Inc.**, Watertown, MN (US)

The ornamental design for a portable sink, as shown and described.

(\*\*) Term: **14 Years**

**DESCRIPTION**

(21) Appl. No.: **29/230,058**

(22) Filed: **May 16, 2005**

(51) **LOC (8) Cl.** ..... **23-02**

(52) **U.S. Cl.** ..... **D23/287**

(58) **Field of Classification Search** ..... D23/270–274,  
D23/284, 286–287, 293.1, 303, 308; D24/217,  
D24/232, 234; 4/619, 624, 630–631, 637–638,  
4/643, 656, 661; D6/441, 436, 432; D34/14  
See application file for complete search history.

FIG. 1 is a front perspective view of a portable sink of the present design;

FIG. 2 is a front elevational view of a portable sink of the present design;

FIG. 3 is a rear elevational view of a portable sink of the present design;

FIG. 4 is a side view of a first side of a portable sink of the present design;

FIG. 5 is a side view of a second side of a portable sink of the present design;

FIG. 6 is a top view of a portable sink of the present design;

FIG. 7 is a bottom view of a portable sink of the present design; and,

FIG. 8 is a front elevational view of a portable sink of the present design in a closed orientation.

(56) **References Cited**

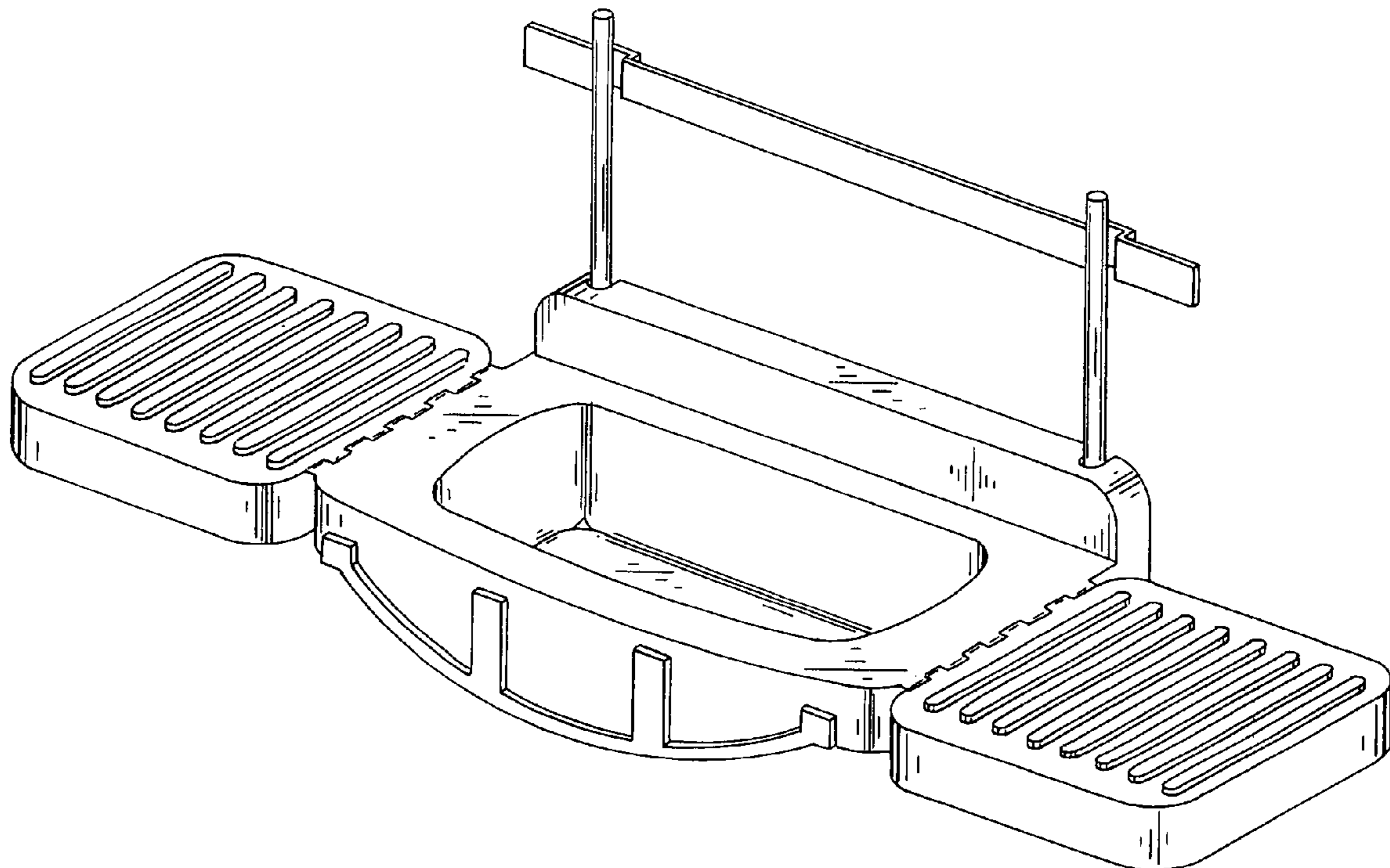
**U.S. PATENT DOCUMENTS**

- 5,073,997 A \* 12/1991 Rabe ..... 4/629
- D461,880 S \* 8/2002 Underbrink ..... D23/286
- D489,155 S \* 4/2004 Underbrink ..... D34/14

\* cited by examiner

*Primary Examiner*—Robert A. Delehanty

**1 Claim, 5 Drawing Sheets**



*Fig.-1*

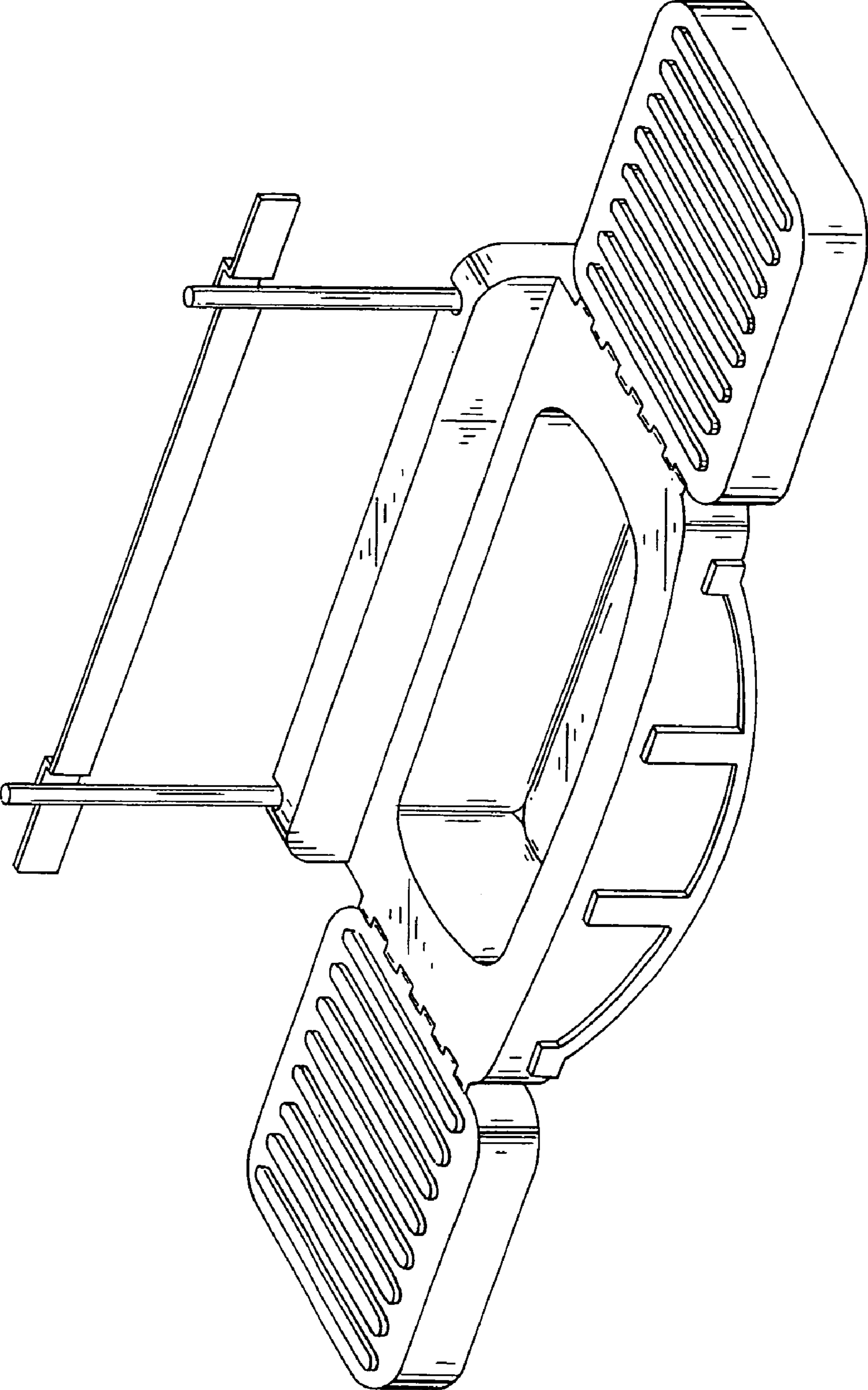


Fig.-2

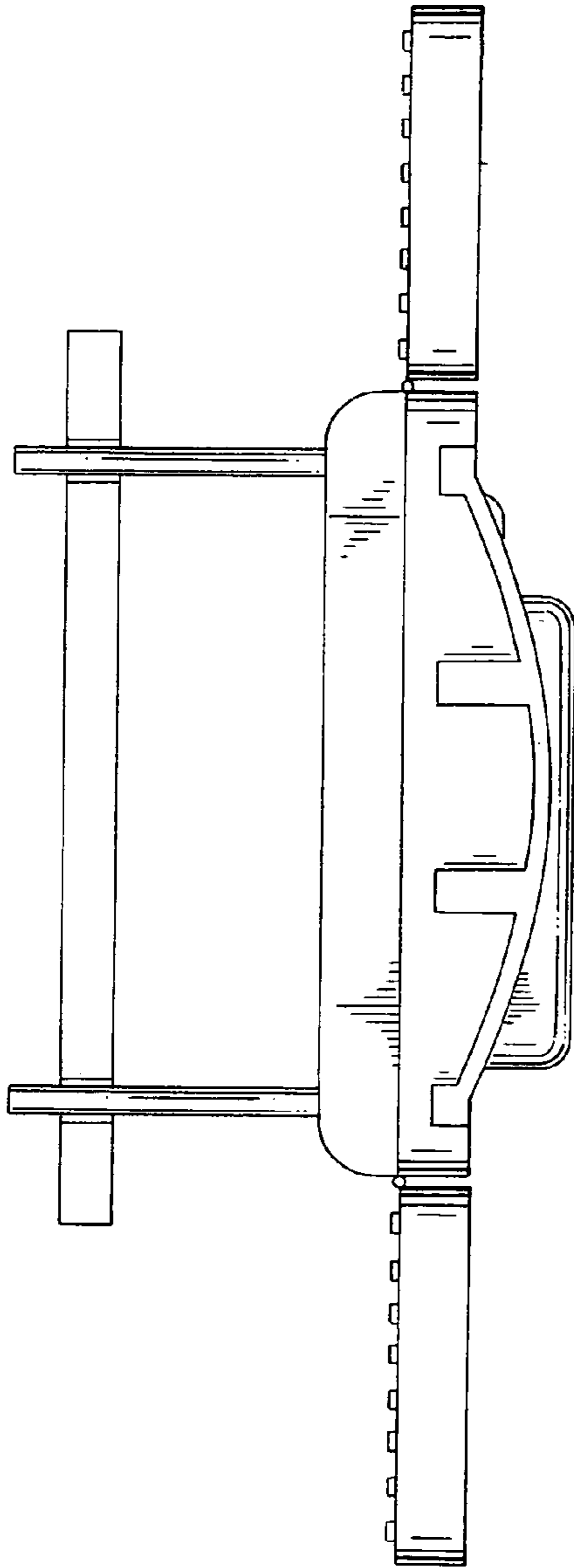


Fig.-3

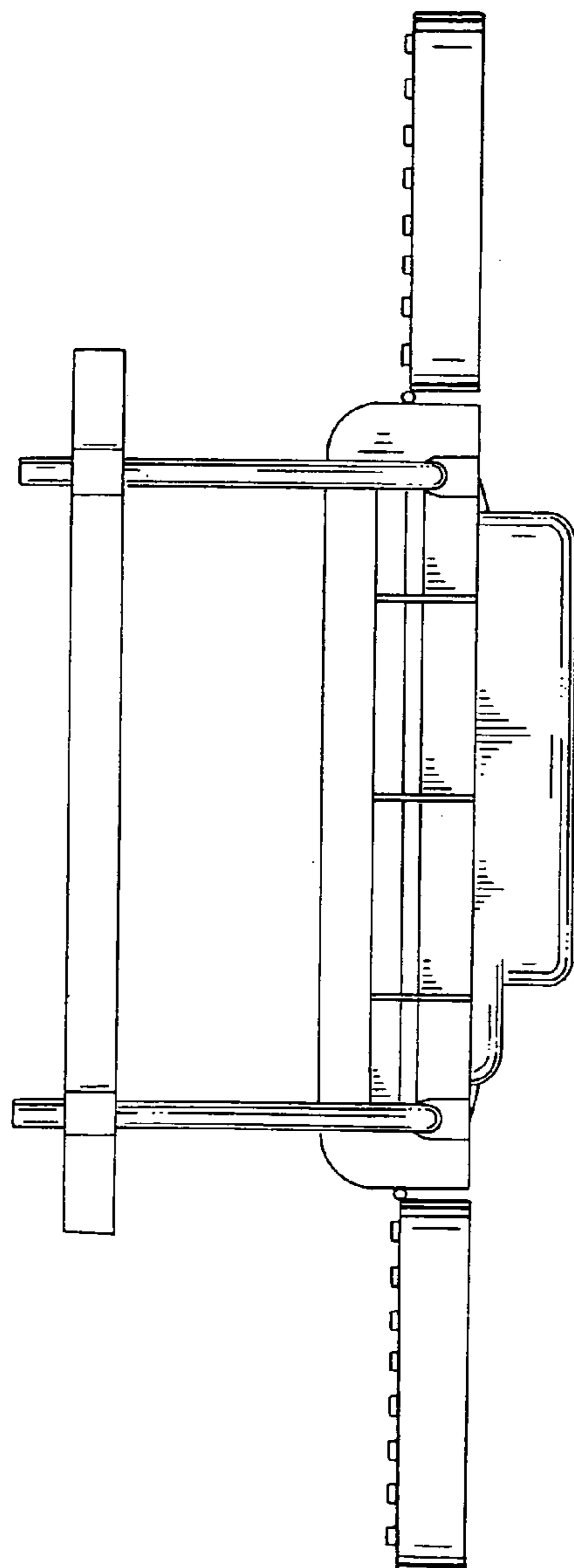


Fig.-4

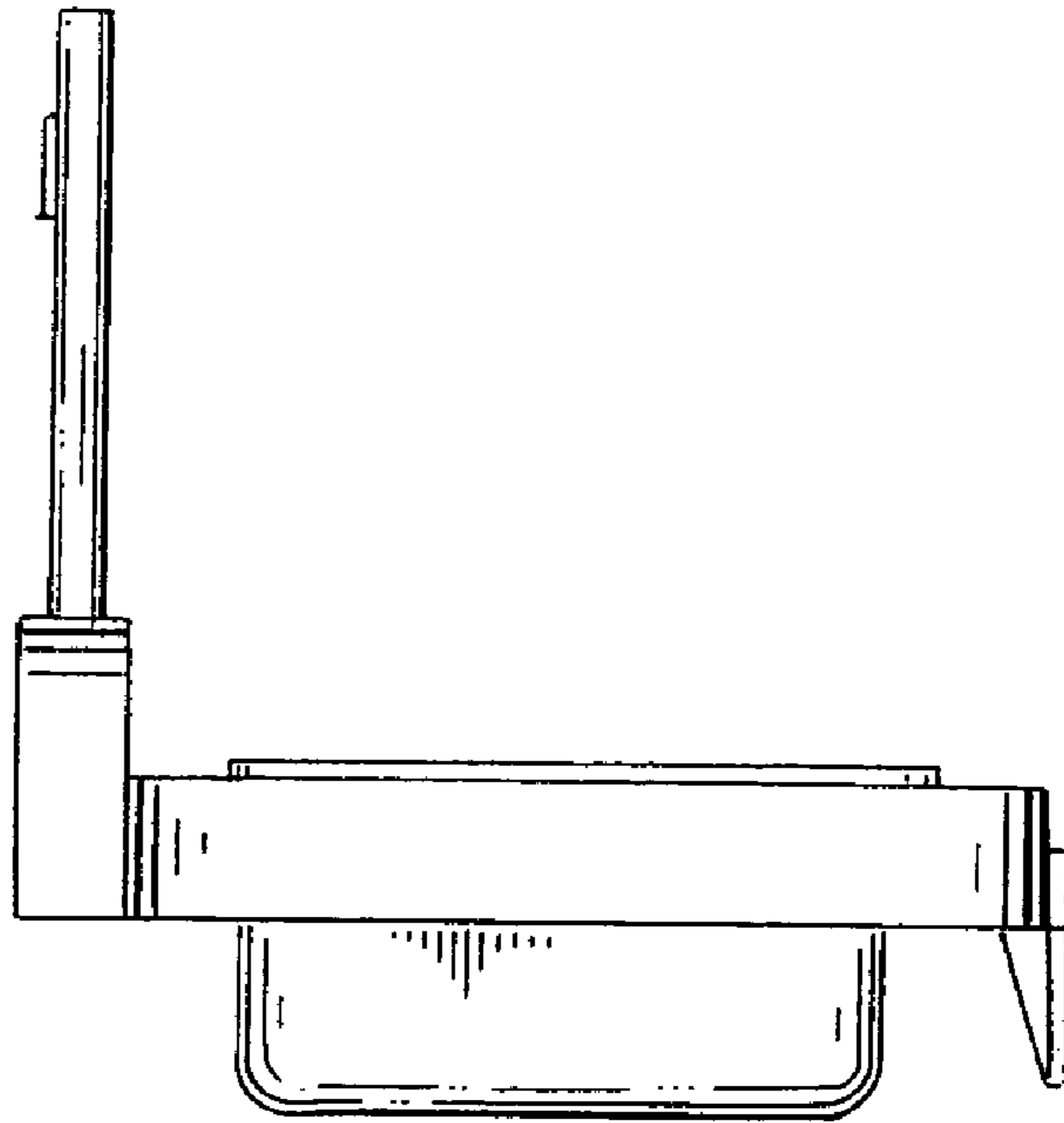


Fig.-5

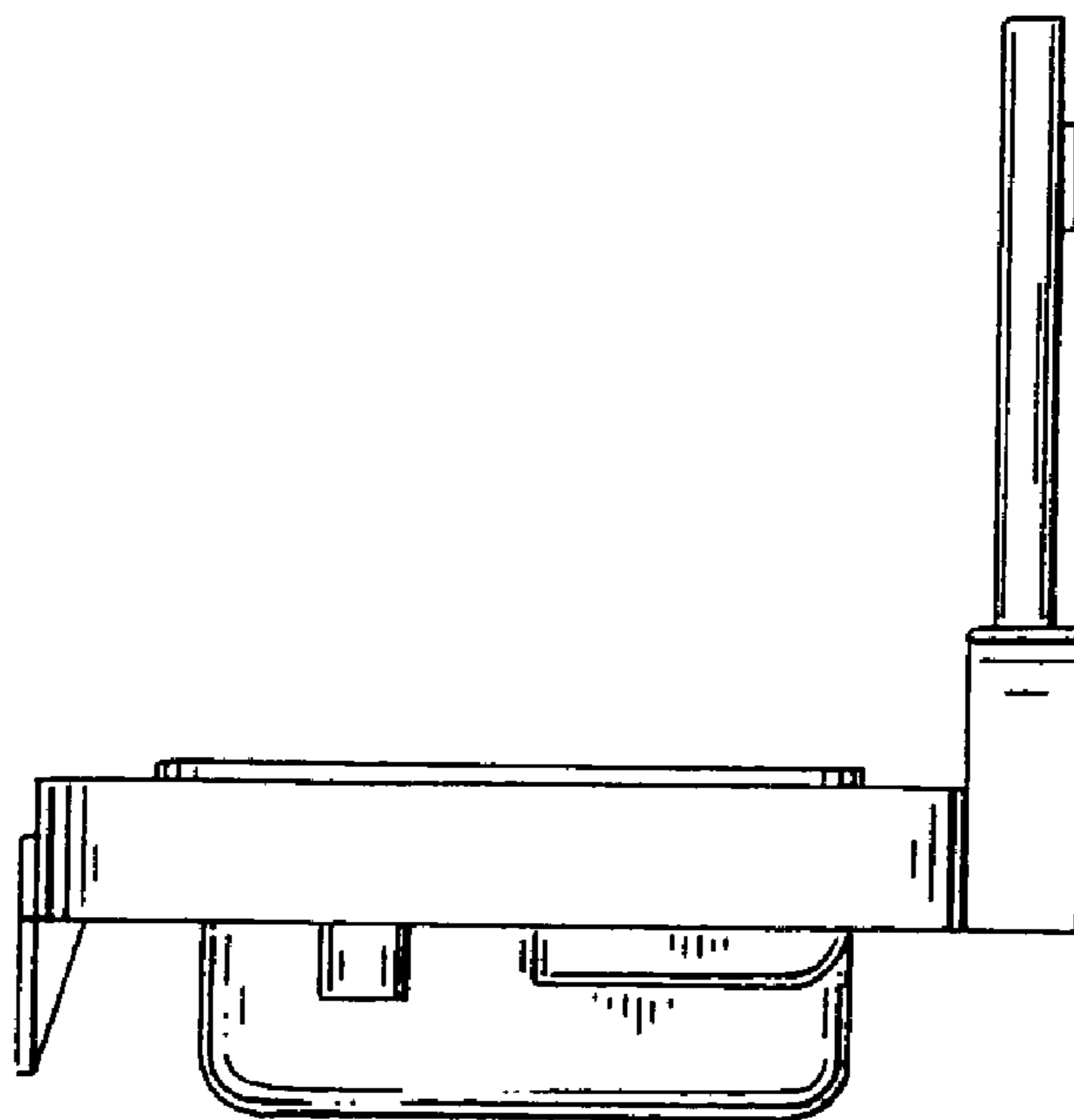


Fig.-6

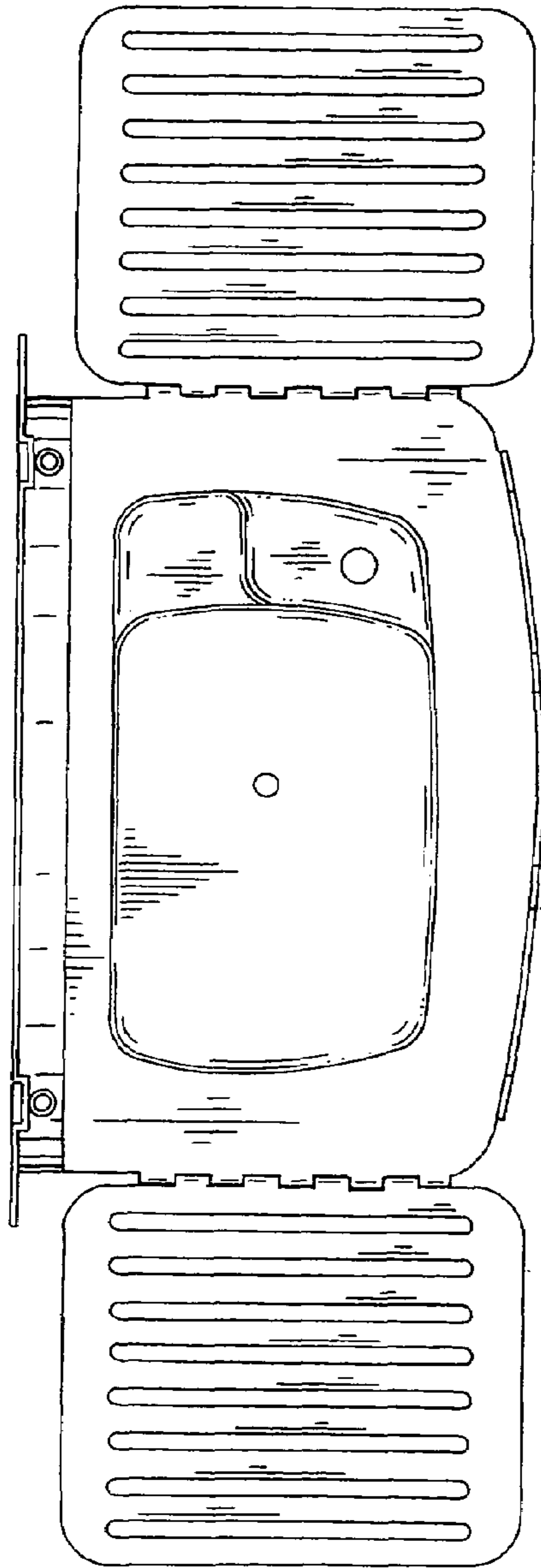
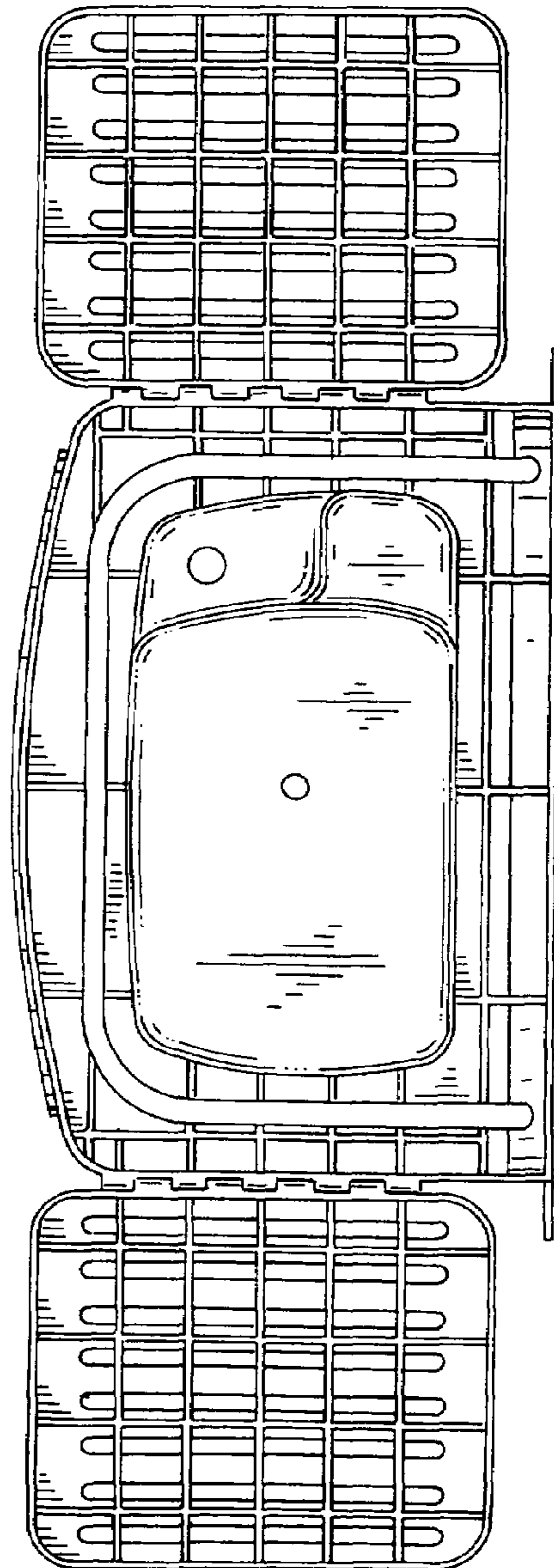


Fig.-7



*Fig.-8*

