



US00D550335S

(12) **United States Design Patent**
Terrill

(10) **Patent No.:** **US D550,335 S**

(45) **Date of Patent:** **** Sep. 4, 2007**

(54) **EXECUTIVE CABINET**

(75) Inventor: **David Terrill**, Newberg, OR (US)

(73) Assignee: **Pelton & Crane**, Charlotte, NC (US)

(**) Term: **14 Years**

(21) Appl. No.: **29/237,610**

(22) Filed: **Sep. 2, 2005**

(51) **LOC (8) Cl.** **23-02**

(52) **U.S. Cl.** **D23/286**

(58) **Field of Classification Search** D23/270–274,
D23/284, 286–287, 293.2, 292, 303, 308;
D24/232, 234; 4/619, 624, 630–631, 637–638,
4/643, 656, 661; D6/441, 436, 432
See application file for complete search history.

(56) **References Cited**

U.S. PATENT DOCUMENTS

3,506,323	A *	4/1970	Bernard	312/209
D288,267	S *	2/1987	Meyer	D6/481
D454,399	S *	3/2002	Doms et al.	D24/231
D492,506	S *	7/2004	Mendini	D6/436
D511,821	S *	11/2005	Loberger et al.	D23/308

OTHER PUBLICATIONS

Brochure, *The Beauty of Imagination . . . The Executive* by Pelton (11 pages).

* cited by examiner

Primary Examiner—Robert A. Delehanty

(74) *Attorney, Agent, or Firm*—TraskBritt

(57) **CLAIM**

The ornamental design for an executive cabinet, as shown and described.

DESCRIPTION

FIG. 1 is a perspective view of an executive cabinet showing my new design;

FIG. 2 is a front view of the executive cabinet shown in FIG. 1;

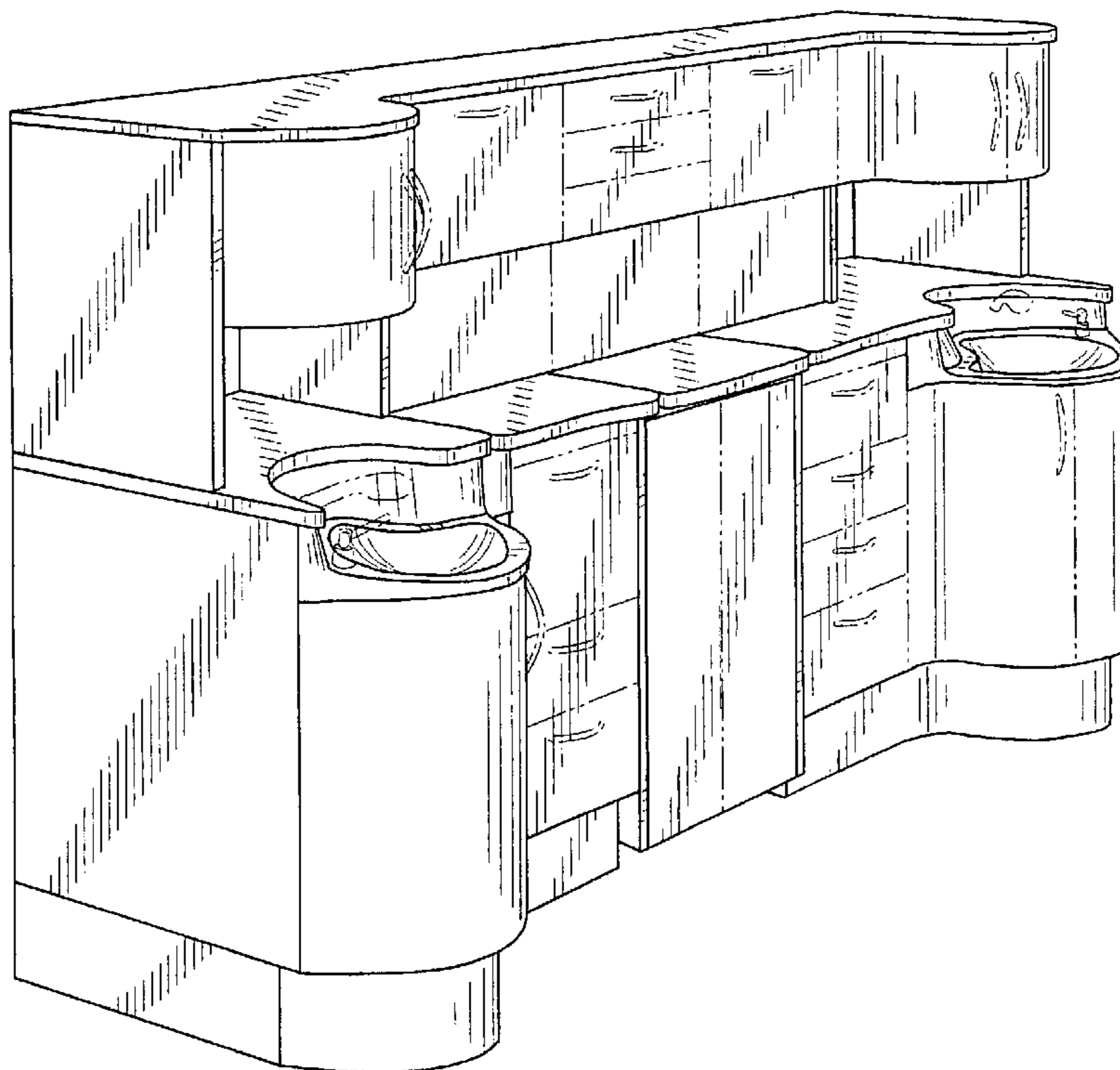
FIG. 3 is a left side view of the executive cabinet shown in FIG. 1;

FIG. 4 is a right side view of the executive cabinet shown in FIG. 1; and,

FIG. 5 is a top view of the executive cabinet shown in FIG. 1.

The uneven broken line representations in FIGS. 1–5 are for illustrative purposes only and form no part of the claimed design.

1 Claim, 4 Drawing Sheets



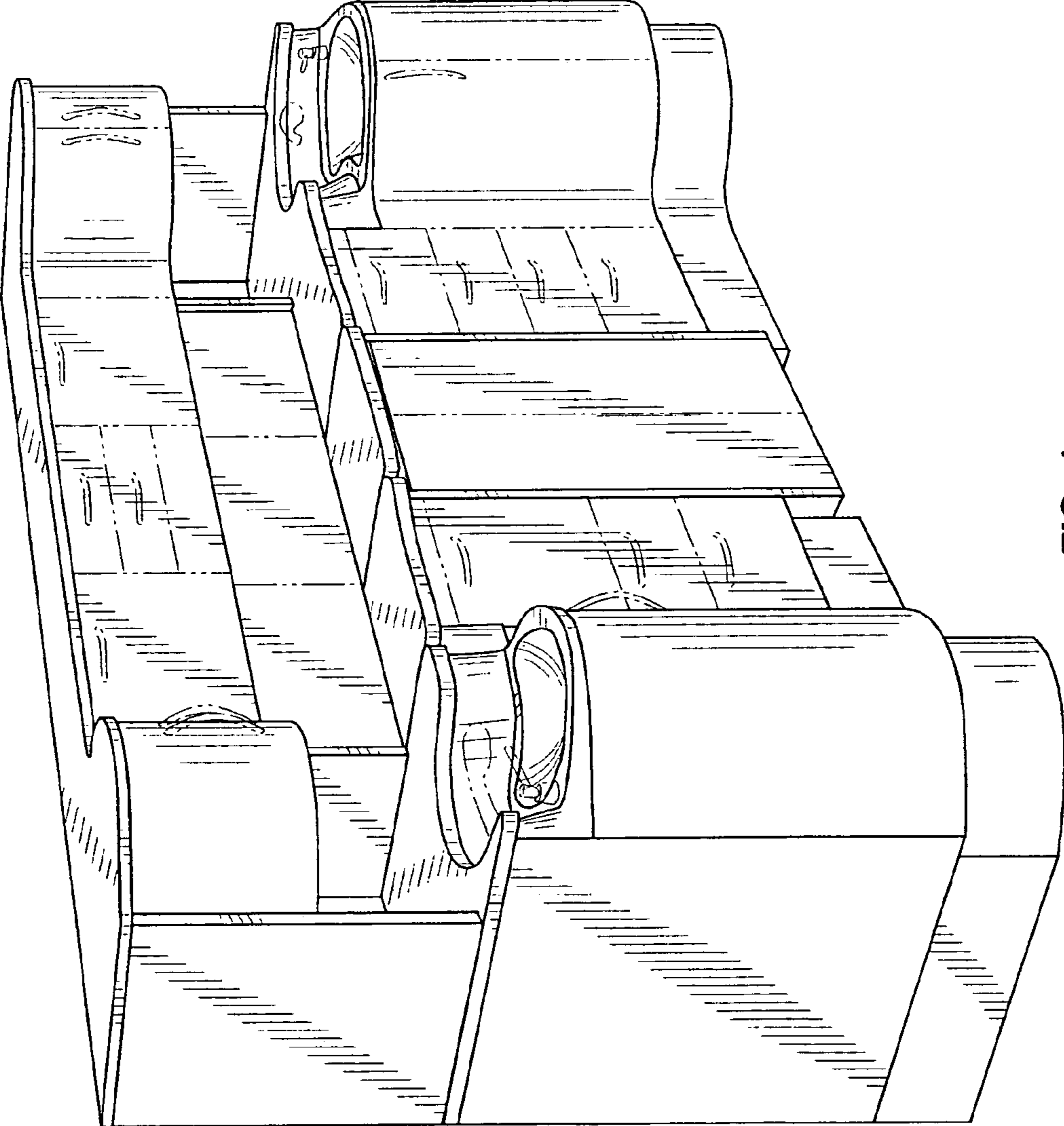


FIG. 1

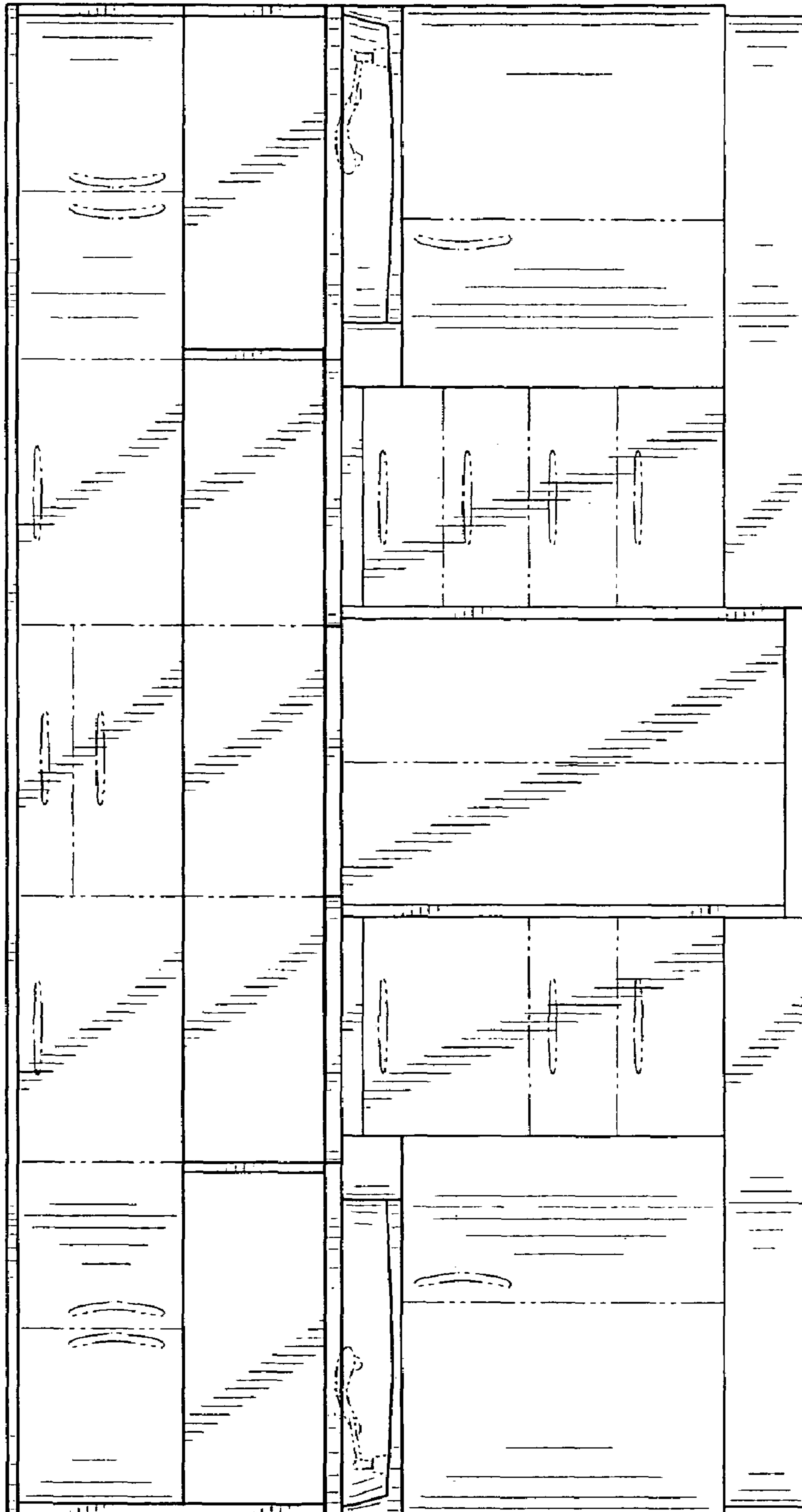


FIG. 2

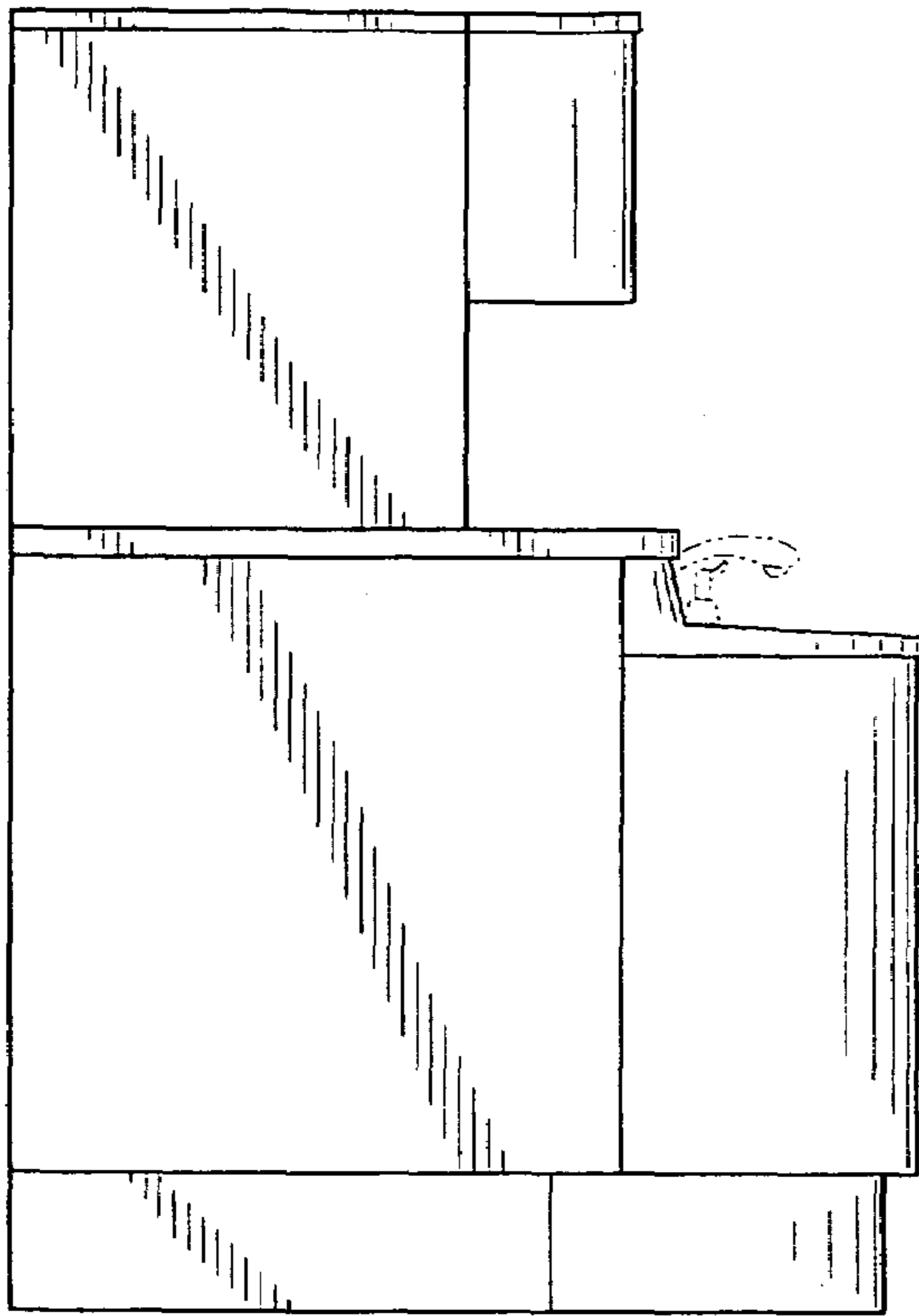


FIG. 3

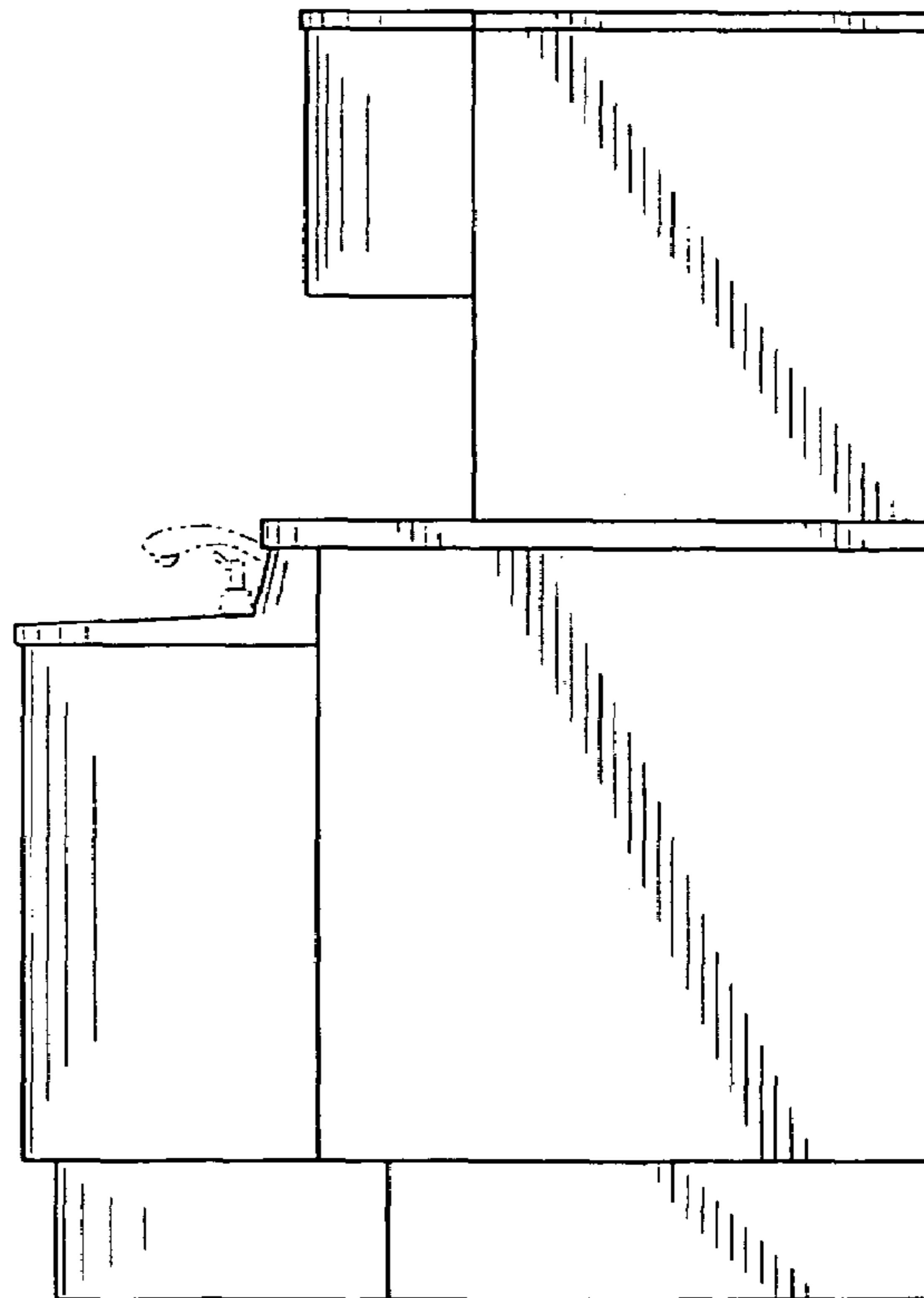


FIG. 4

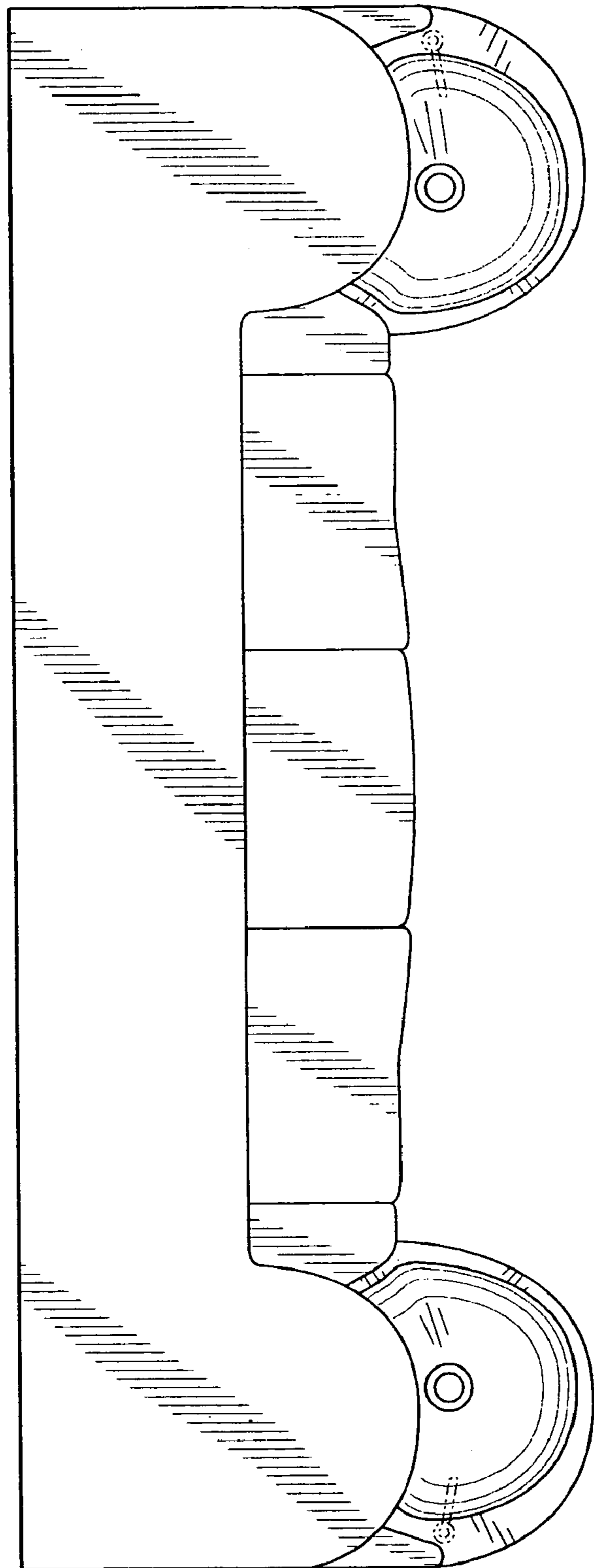


FIG. 5