



US00D550334S

(12) **United States Design Patent**
De Alba

(10) **Patent No.:** **US D550,334 S**

(45) **Date of Patent:** **** Sep. 4, 2007**

(54) **3 WAY CONNECTOR**

(76) **Inventor:** **Jose De Alba**, 1590 Nash Rd.,
Hollister, CA (US) 95023

(**) **Term:** **14 Years**

(21) **Appl. No.:** **29/254,912**

(22) **Filed:** **Mar. 2, 2006**

(51) **LOC (8) Cl.** **23-01**

(52) **U.S. Cl.** **D23/259**

(58) **Field of Classification Search** D23/259-262;
285/133.11, 133.21, 133.3-133.6, 136.1,
285/148.22-148.23

See application file for complete search history.

(56) **References Cited**

U.S. PATENT DOCUMENTS

1,986,447	A *	1/1935	Rishel	285/136.1
2,610,089	A *	9/1952	Unger	239/222.13
3,818,931	A *	6/1974	Carpenter	137/374
3,831,983	A *	8/1974	Stickler	285/12
5,104,150	A *	4/1992	Bard et al.	285/12
5,277,226	A *	1/1994	Kuhlman	137/862
D354,553	S *	1/1995	Lange	D23/263
D354,801	S *	1/1995	Grant et al.	D23/263
5,419,363	A *	5/1995	Robinson	137/360

D454,940	S *	3/2002	Hoenig	D23/259
6,431,610	B1 *	8/2002	Ohirano et al.	285/32
2005/0104371	A1 *	5/2005	Atkinson	285/133.11

* cited by examiner

Primary Examiner—Louis S. Zarfes

Assistant Examiner—Eric L. Goodman

(74) *Attorney, Agent, or Firm*—James Cai; Schein & Cai
LLP

(57) **CLAIM**

I claim the ornamental design for a 3 way connector, as shown.

DESCRIPTION

FIG. 1 is a perspective view of a 3 way connector showing my new design;

FIG. 2 is a front elevational view thereof;

FIG. 3 is a rear elevational view thereof;

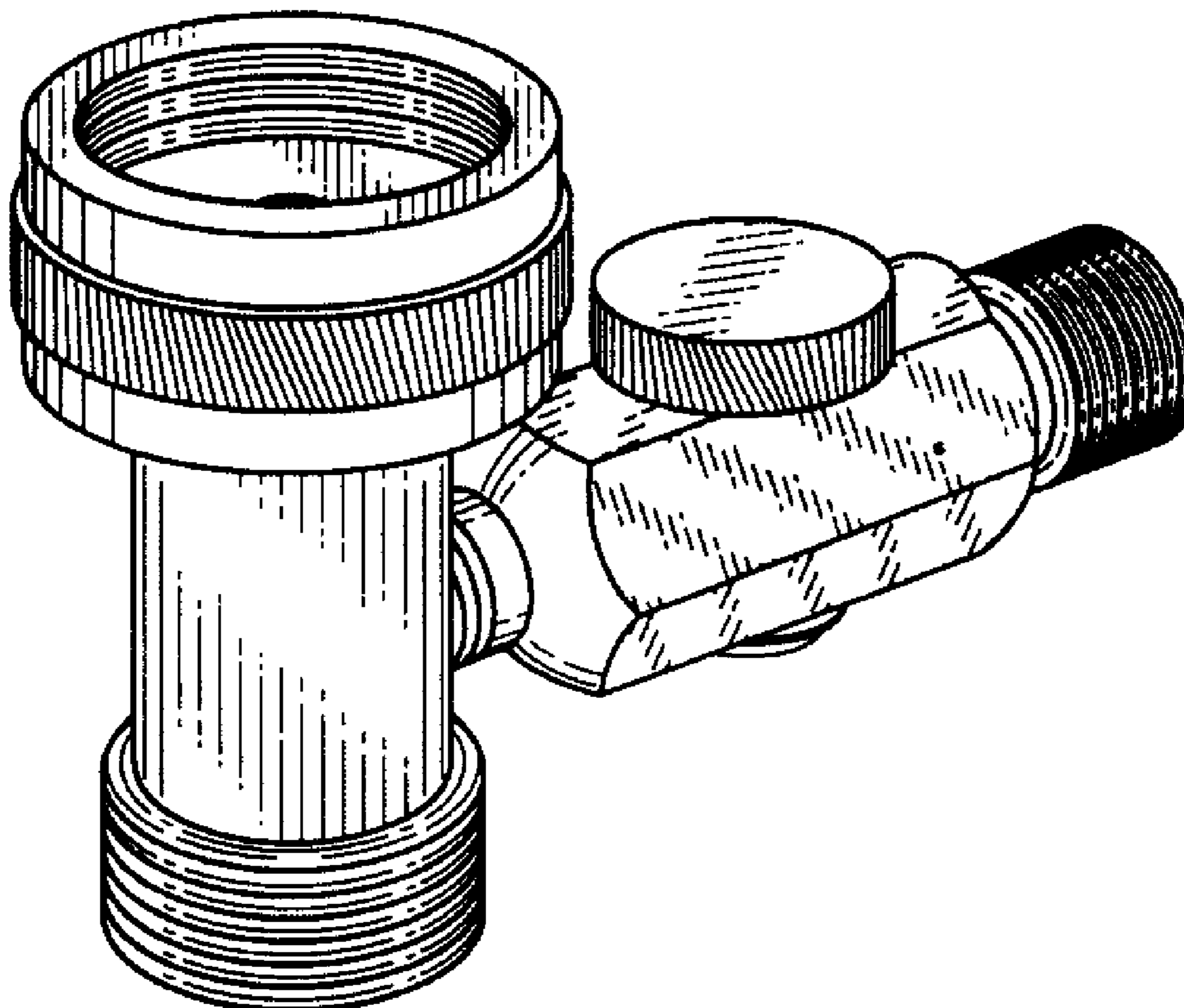
FIG. 4 is a left side elevational view thereof;

FIG. 5 is a right side elevational view thereof;

FIG. 6 is a top plan view thereof; and,

FIG. 7 is a bottom plan view thereof.

1 Claim, 4 Drawing Sheets



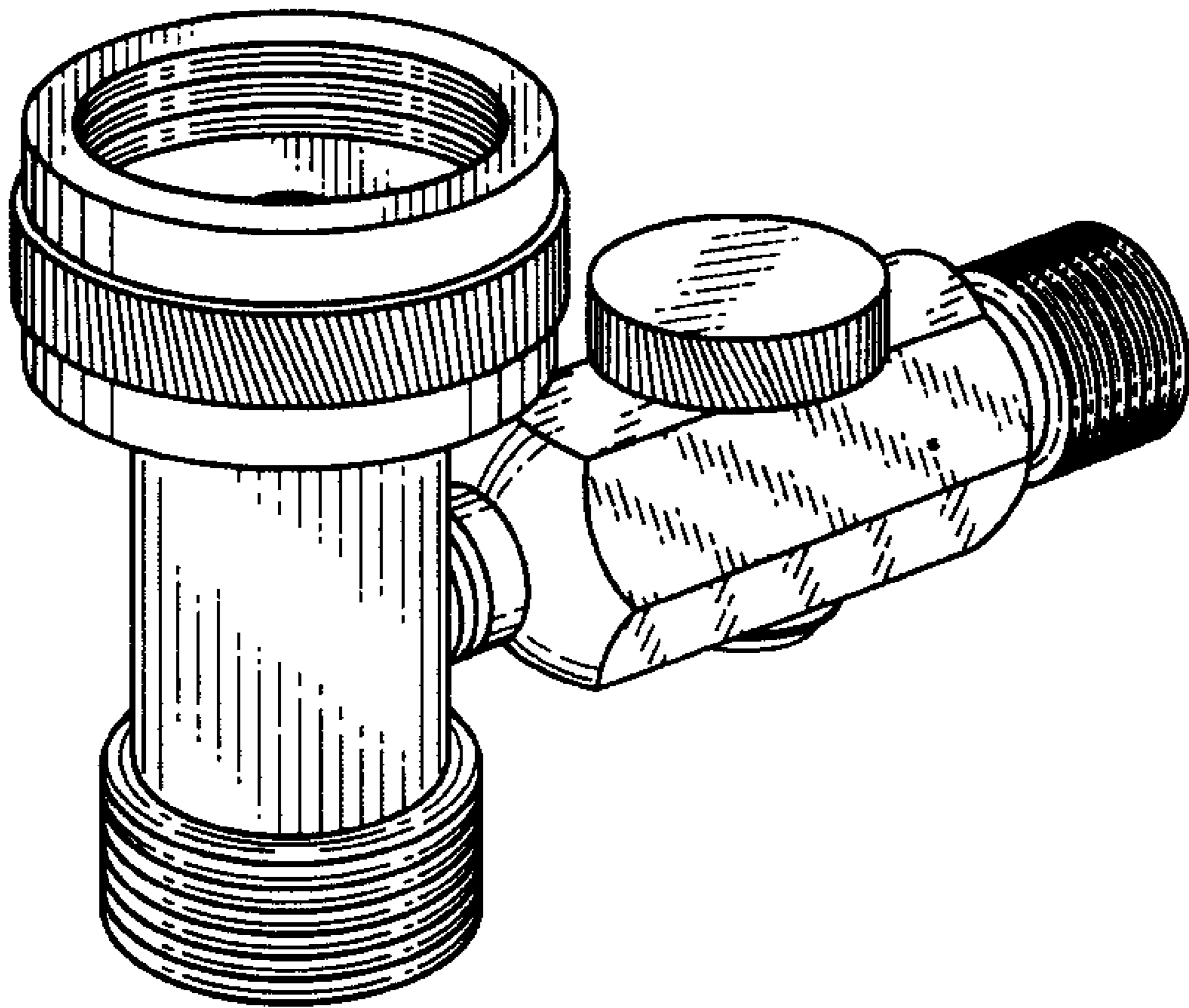


FIG. 1

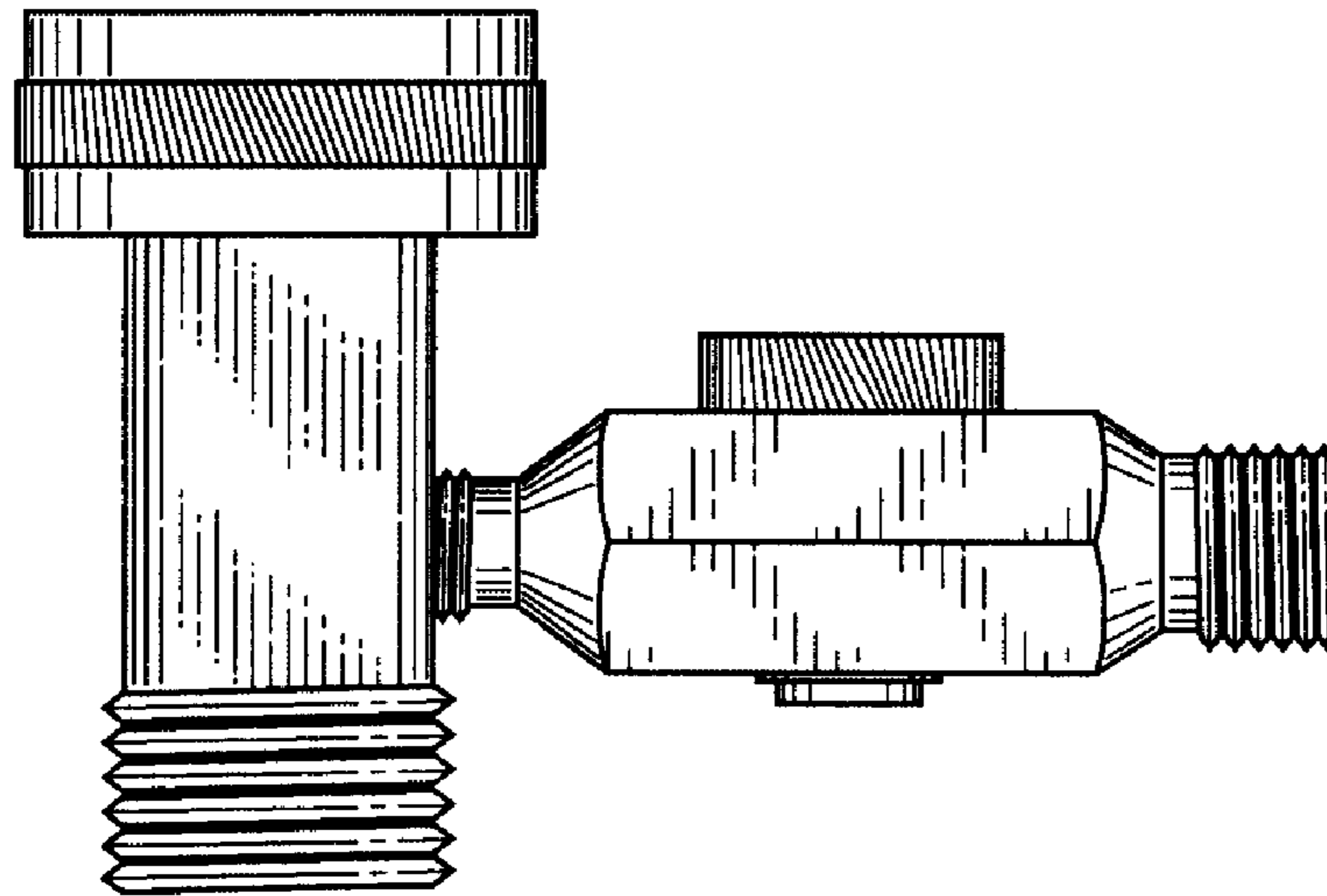


FIG. 2

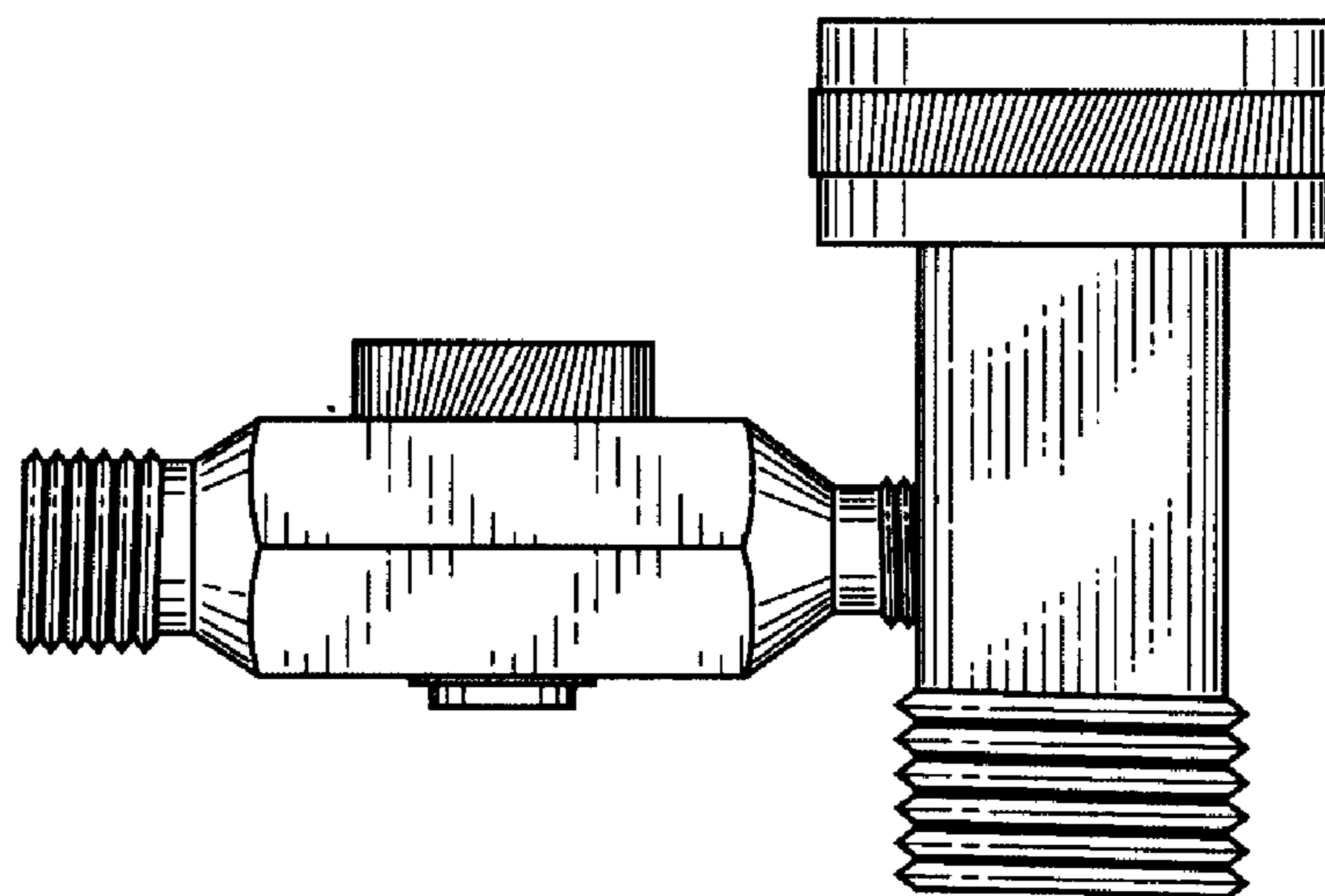


FIG. 3

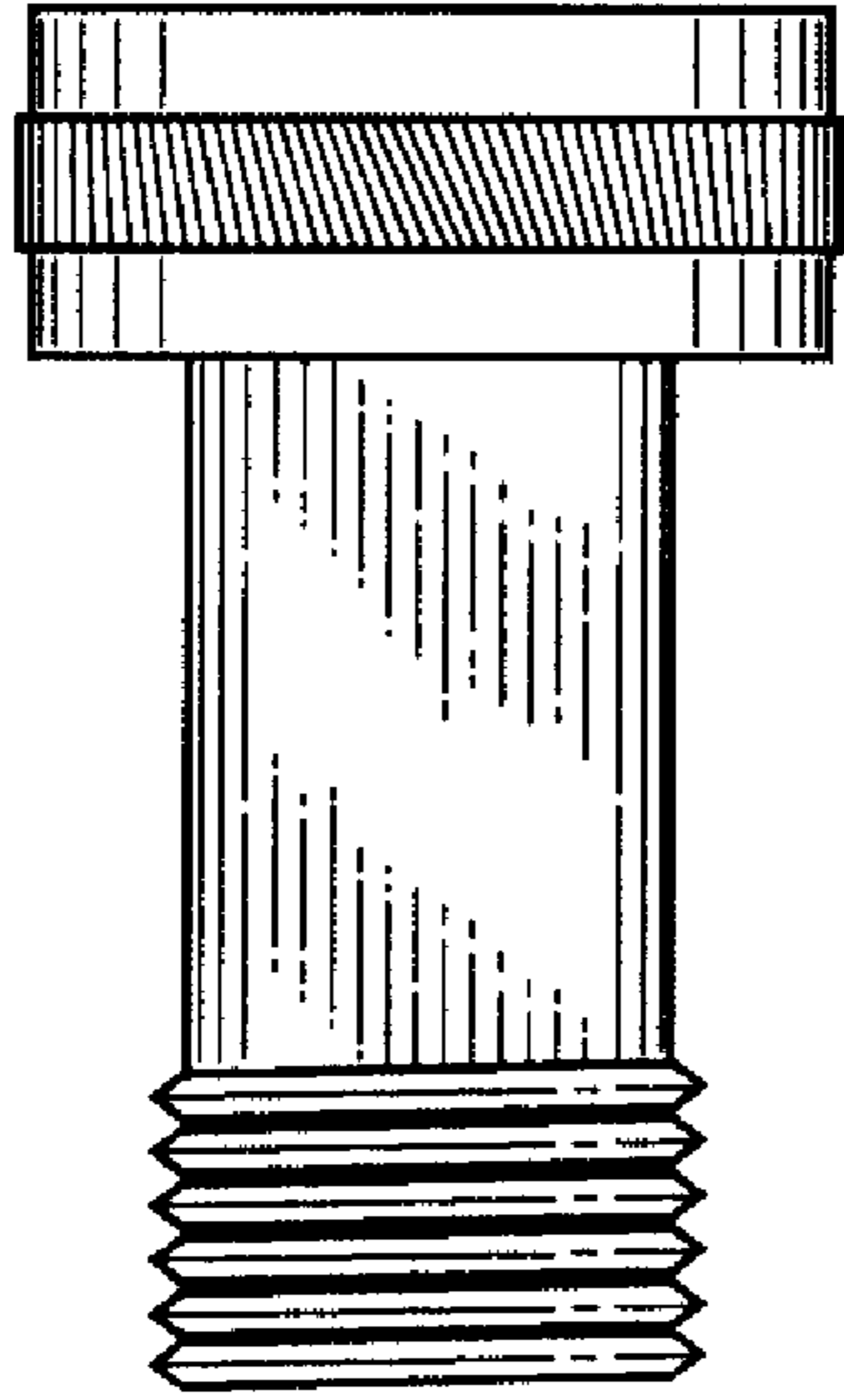


FIG. 4

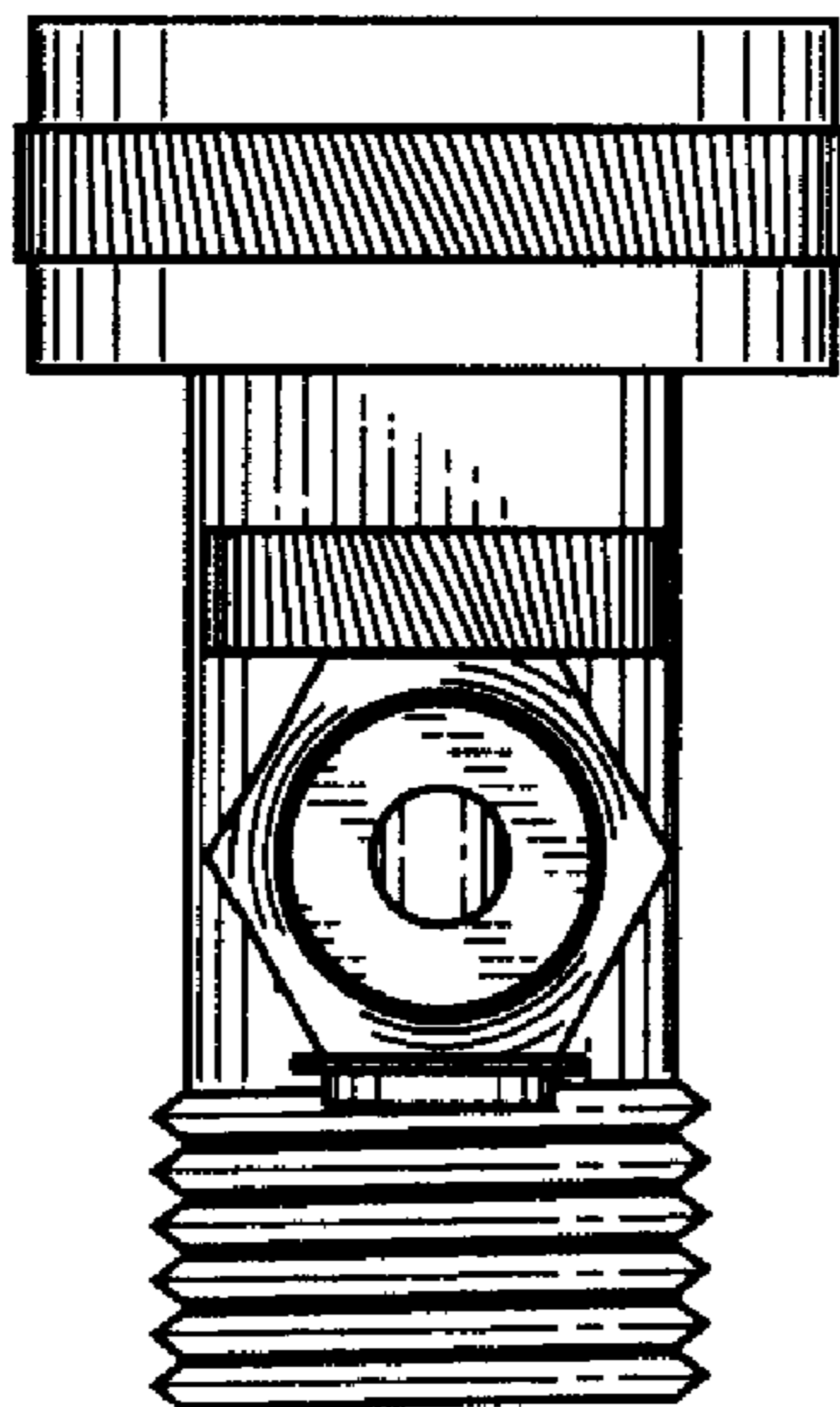


FIG. 5

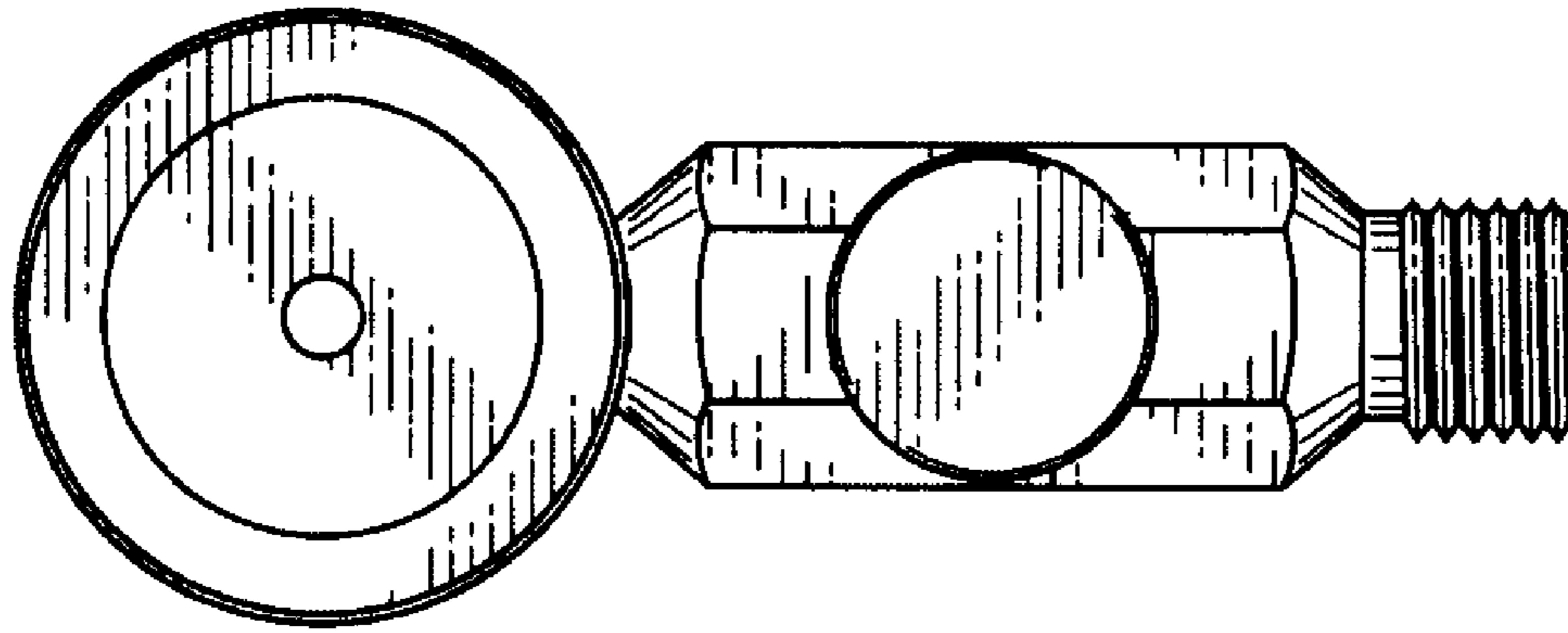


FIG. 6

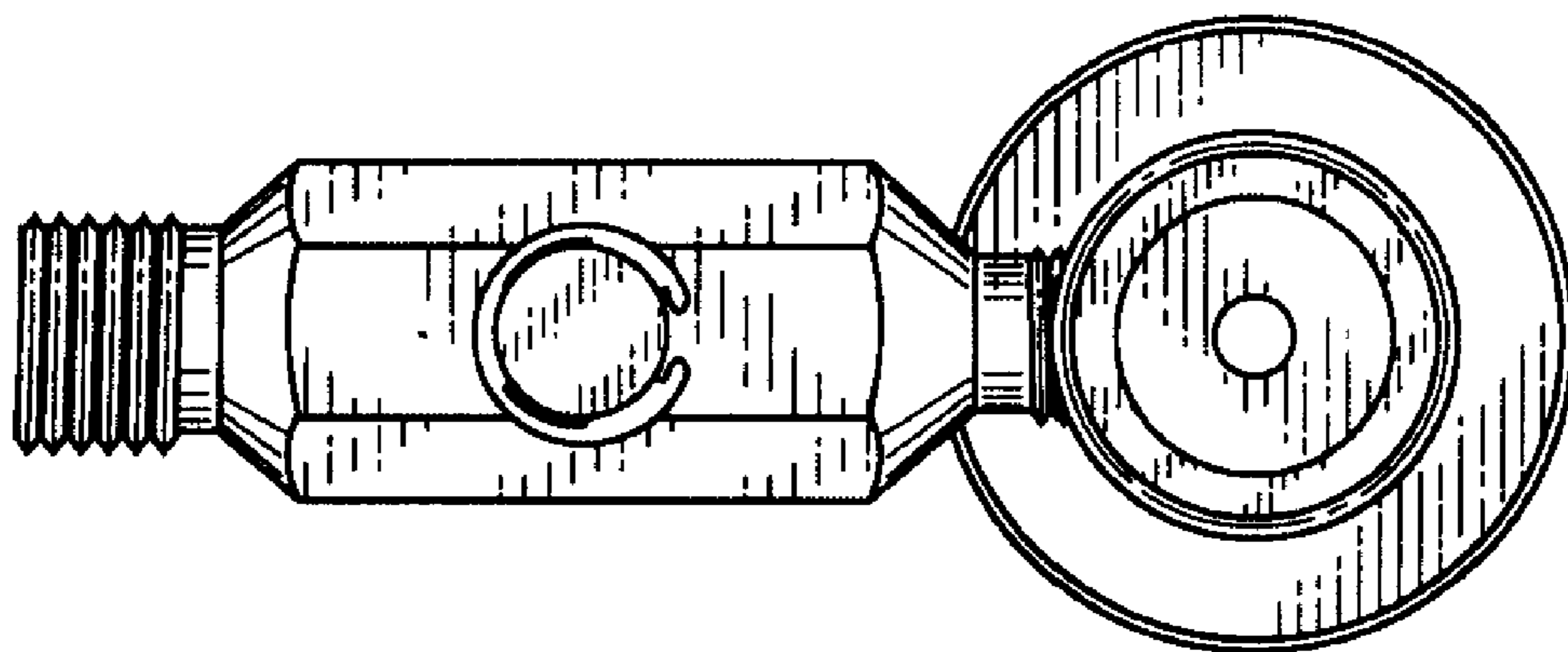


FIG. 7