



US00D550332S

(12) **United States Design Patent**
Kennard

(10) **Patent No.:** **US D550,332 S**

(45) **Date of Patent:** **** Sep. 4, 2007**

(54) **SPOUT**

(75) Inventor: **Dan Kennard**, Norcross, GA (US)

(73) Assignee: **Fusion Hardware Group, Inc.**,
Norcross, GA (US)

(**) Term: **14 Years**

(21) Appl. No.: **29/246,529**

(22) Filed: **Apr. 21, 2006**

(51) **LOC (8) Cl.** **23-01**

(52) **U.S. Cl.** **D23/255; D23/257**

(58) **Field of Classification Search** **D23/238-257;**
4/675-678; 137/801

See application file for complete search history.

(56) **References Cited**

U.S. PATENT DOCUMENTS

D299,161 S *	12/1988	Frattini	D23/255
D356,631 S *	3/1995	Kolada	D23/255
D361,624 S *	8/1995	Fabian	D23/257
D406,880 S *	3/1999	Doughty et al.	D23/255
D421,642 S *	3/2000	Ko	D23/255
D430,648 S *	9/2000	Lord	D23/238

D434,477 S *	11/2000	Meda	D23/255
D461,879 S *	8/2002	Mullenmeister	D23/257
D487,500 S *	3/2004	Blattner	D23/241
D514,667 S *	2/2006	Kemp	D23/255
D517,659 S *	3/2006	Ouyoung	D23/250
D534,244 S *	12/2006	Kennard	D23/238

* cited by examiner

Primary Examiner—Louis S. Zarfaz

Assistant Examiner—Gregory Andoll

(74) *Attorney, Agent, or Firm*—Leong C. Lei

(57) **CLAIM**

The ornamental design for a spout, as shown and described.

DESCRIPTION

FIG. 1 is a perspective view of a spout showing my new design;

FIG. 2 is a front elevational view thereof;

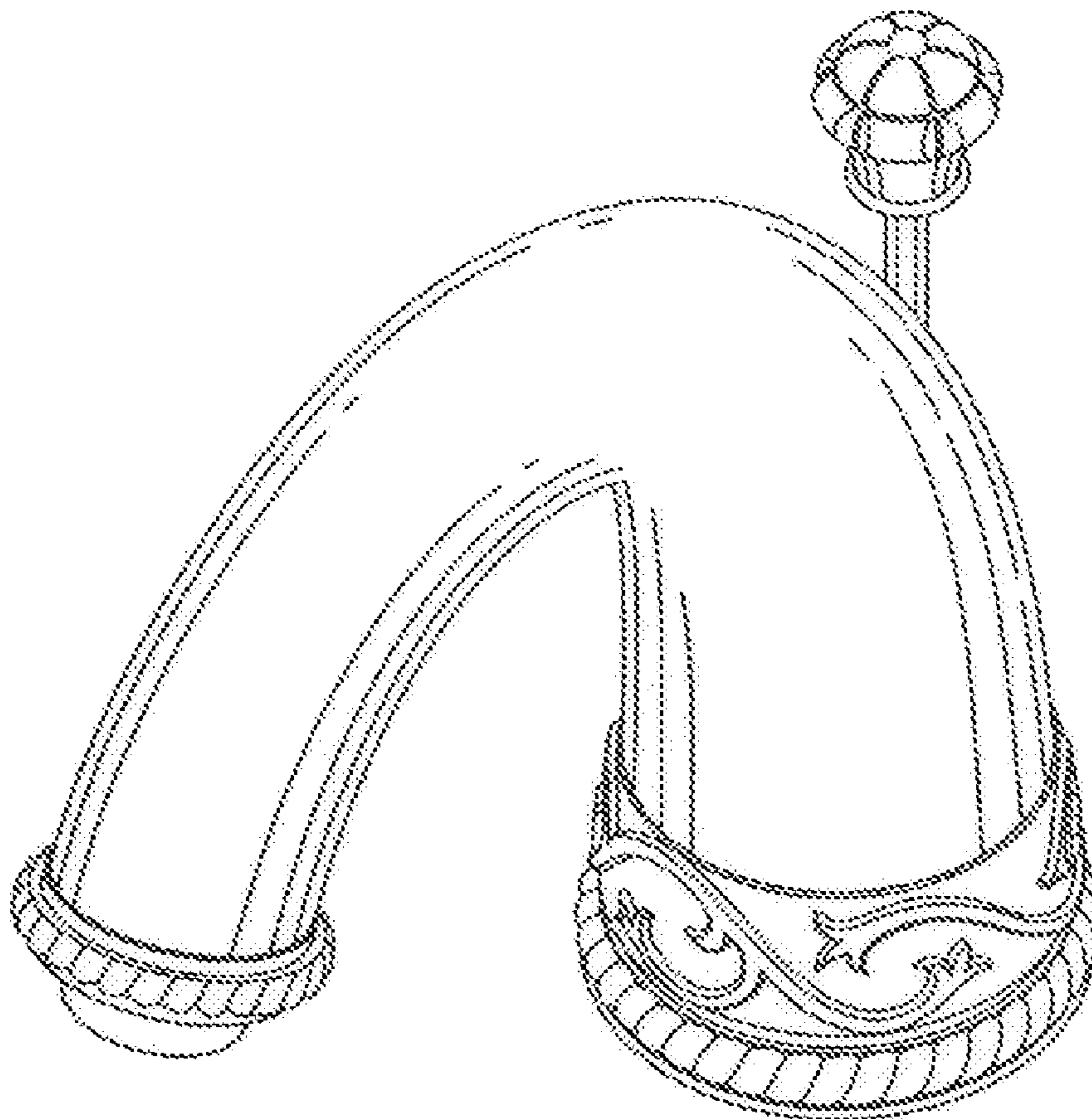
FIG. 3 is a rear elevational view thereof;

FIG. 4 is a left side elevational view thereof;

FIG. 5 is a right side elevational view thereof; and,

FIG. 6 is a top plan view thereof.

1 Claim, 5 Drawing Sheets



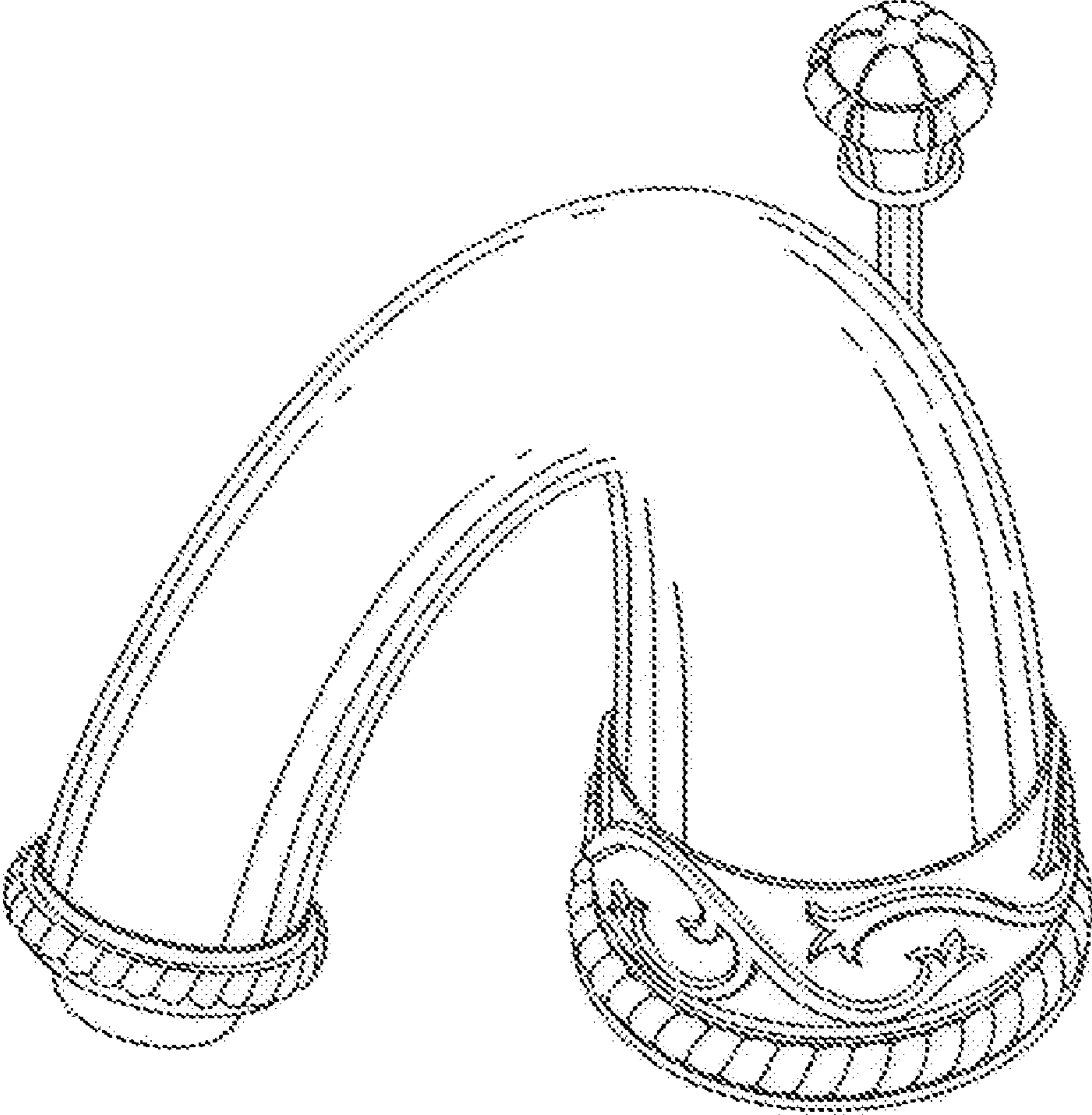


FIG. 1

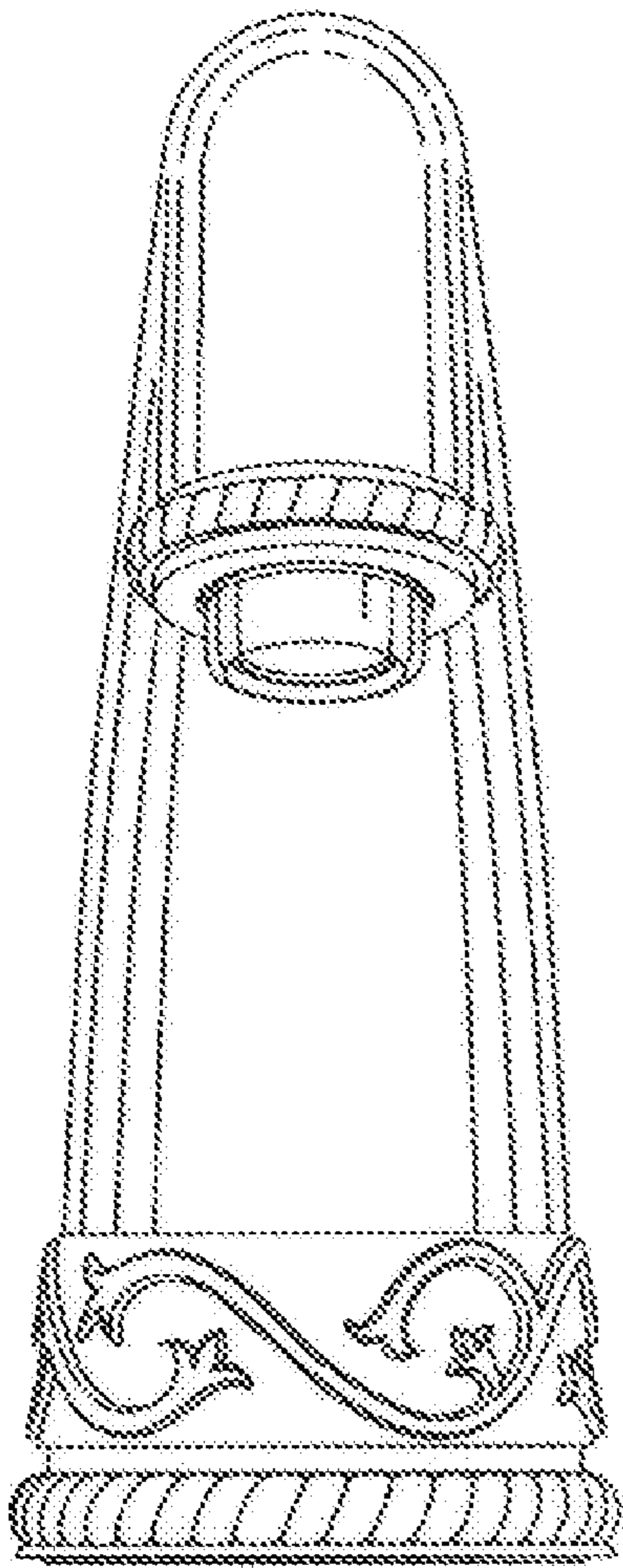


FIG. 2

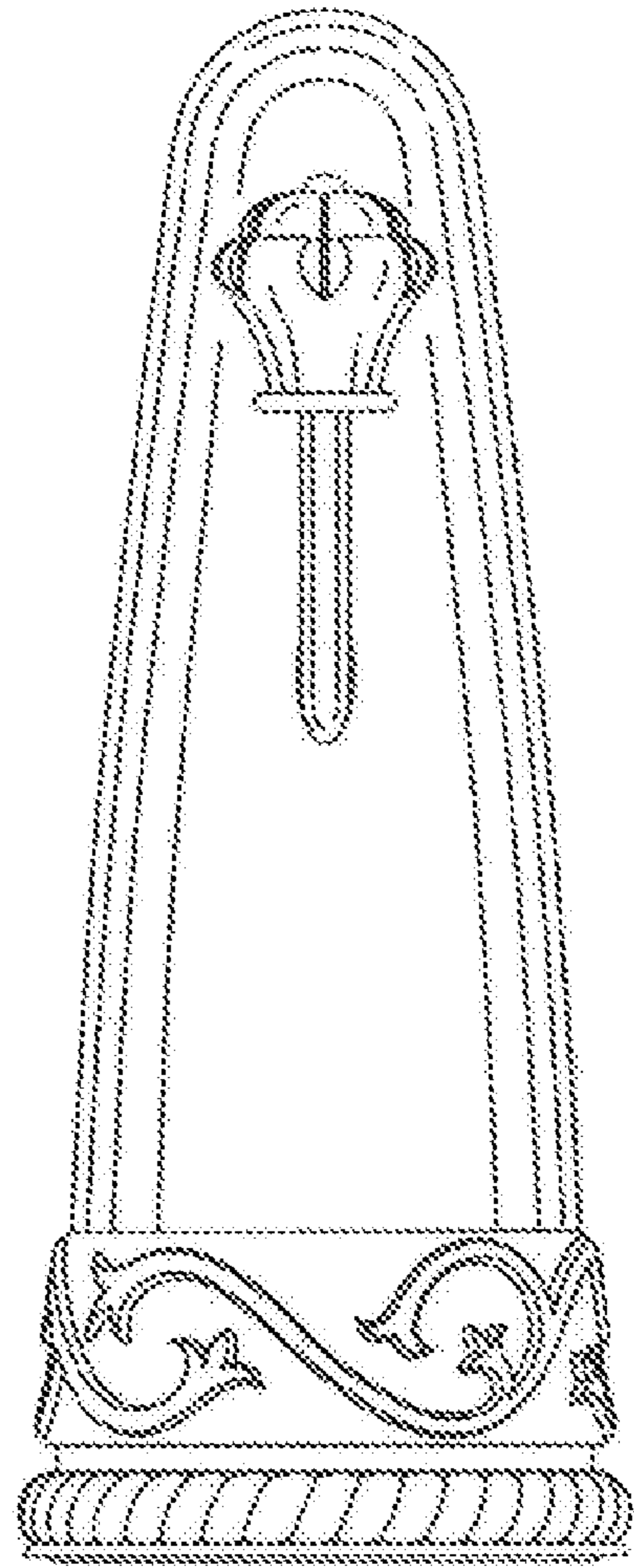


FIG. 3

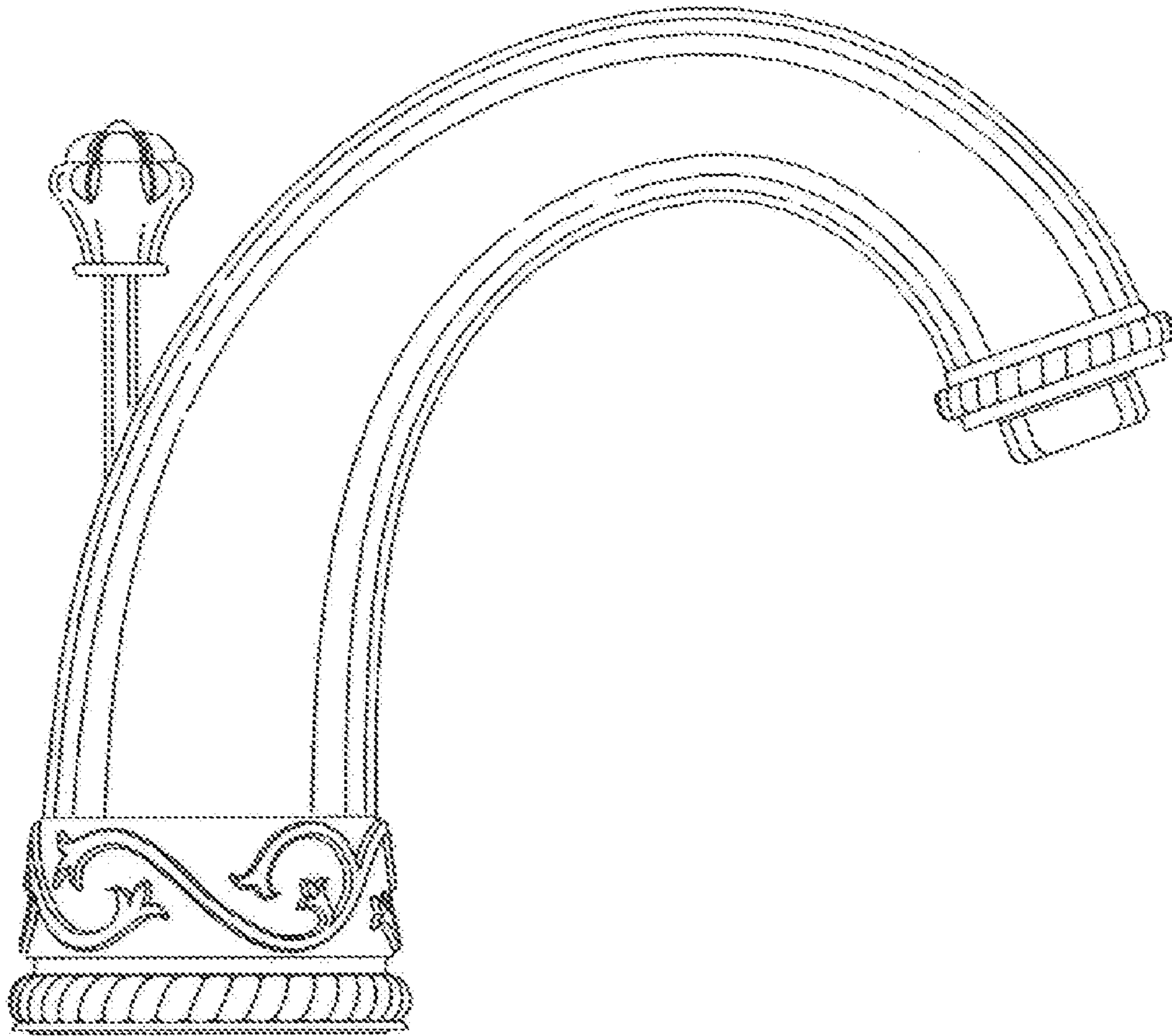


FIG. 4

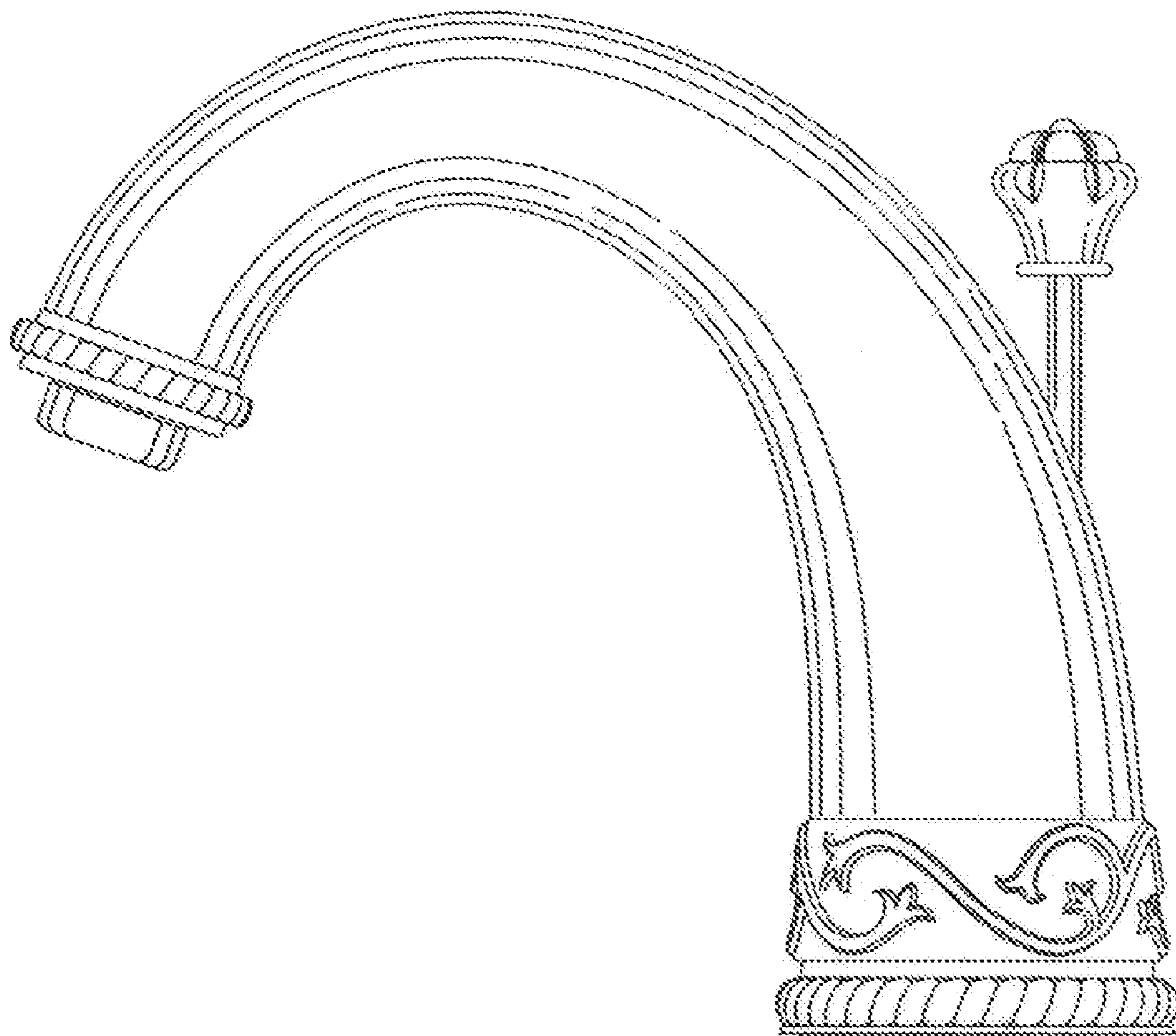


FIG. 5

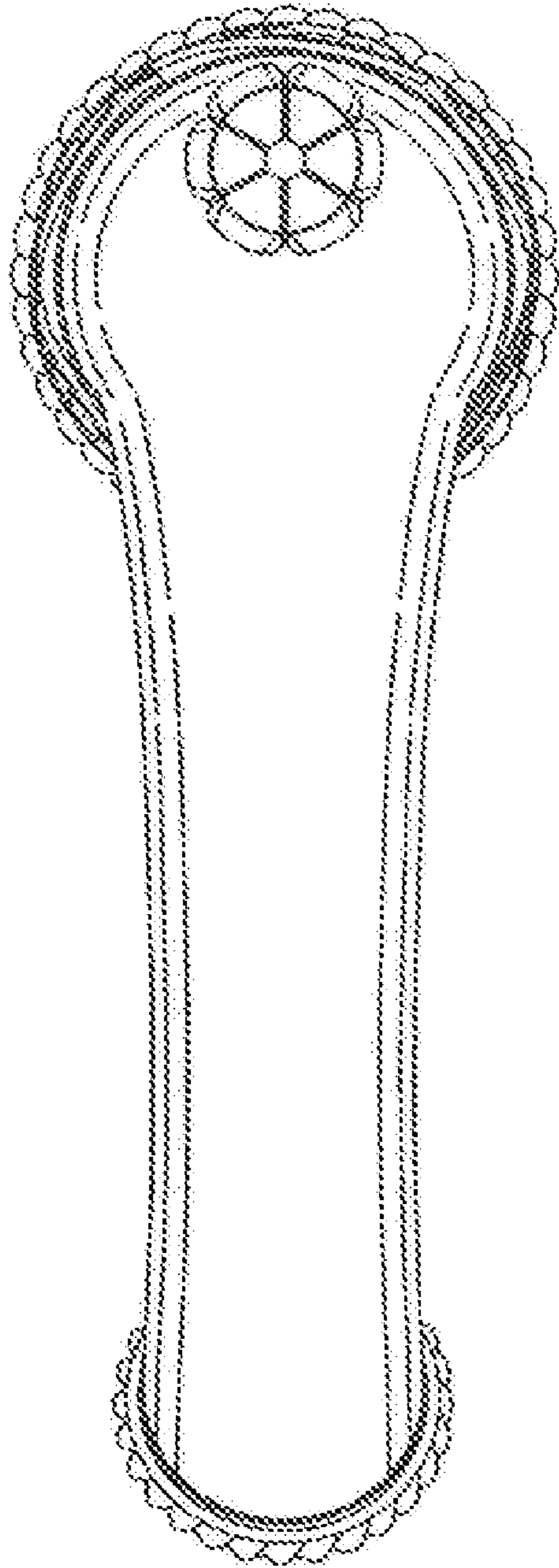


FIG. 6