



US00D550330S

(12) **United States Design Patent**
Müllenmeister

(10) **Patent No.:** **US D550,330 S**

(45) **Date of Patent:** **** Sep. 4, 2007**

(54) **DECK-MOUNT FAUCET**

(75) Inventor: **Daniel Müllenmeister**, Havixbeck (DE)

(73) Assignee: **Grohe AG**, Hemer (DE)

(**) Term: **14 Years**

(21) Appl. No.: **29/258,608**

(22) Filed: **Apr. 24, 2006**

(51) **LOC (8) Cl.** **23-01**

(52) **U.S. Cl.** **D23/238**

(58) **Field of Classification Search** D23/238-257;
4/675-678; 137/801

See application file for complete search history.

(56) **References Cited**

U.S. PATENT DOCUMENTS

D512,124 S * 11/2005 Kulig et al. D23/238

D532,868 S * 11/2006 Spangler et al. D23/238

D538,398 S * 3/2007 Lobermeier et al. D23/238

* cited by examiner

Primary Examiner—Louis S. Zarfes

Assistant Examiner—Gregory Andoll

(74) *Attorney, Agent, or Firm*—Andrew Wilford

(57) **CLAIM**

The ornamental design for a deck-mount faucet, as shown and described.

DESCRIPTION

FIG. 1 is a perspective view of the deck-mount faucet according to the invention;

FIG. 2 is a front elevational view of the faucet;

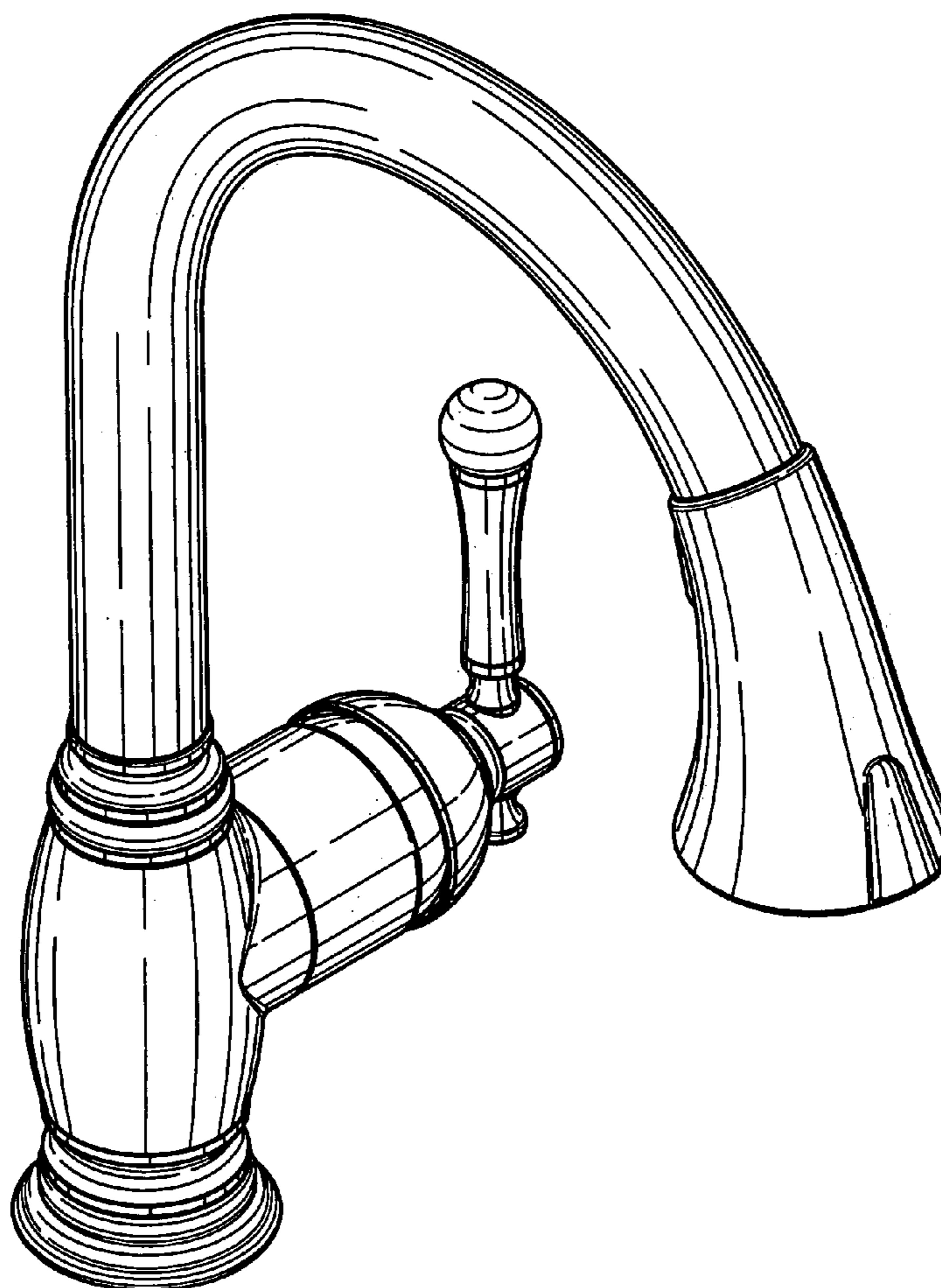
FIG. 3 is a rear elevational view of the faucet;

FIGS. 4 and 5 are left- and right-hand side views of the faucet as seen in FIG. 2; and,

FIGS. 6 and 7 are bottom and top views of the faucet.

The broken lines in Figure is for illustrative purposes only and form no part of the claimed design.

1 Claim, 6 Drawing Sheets



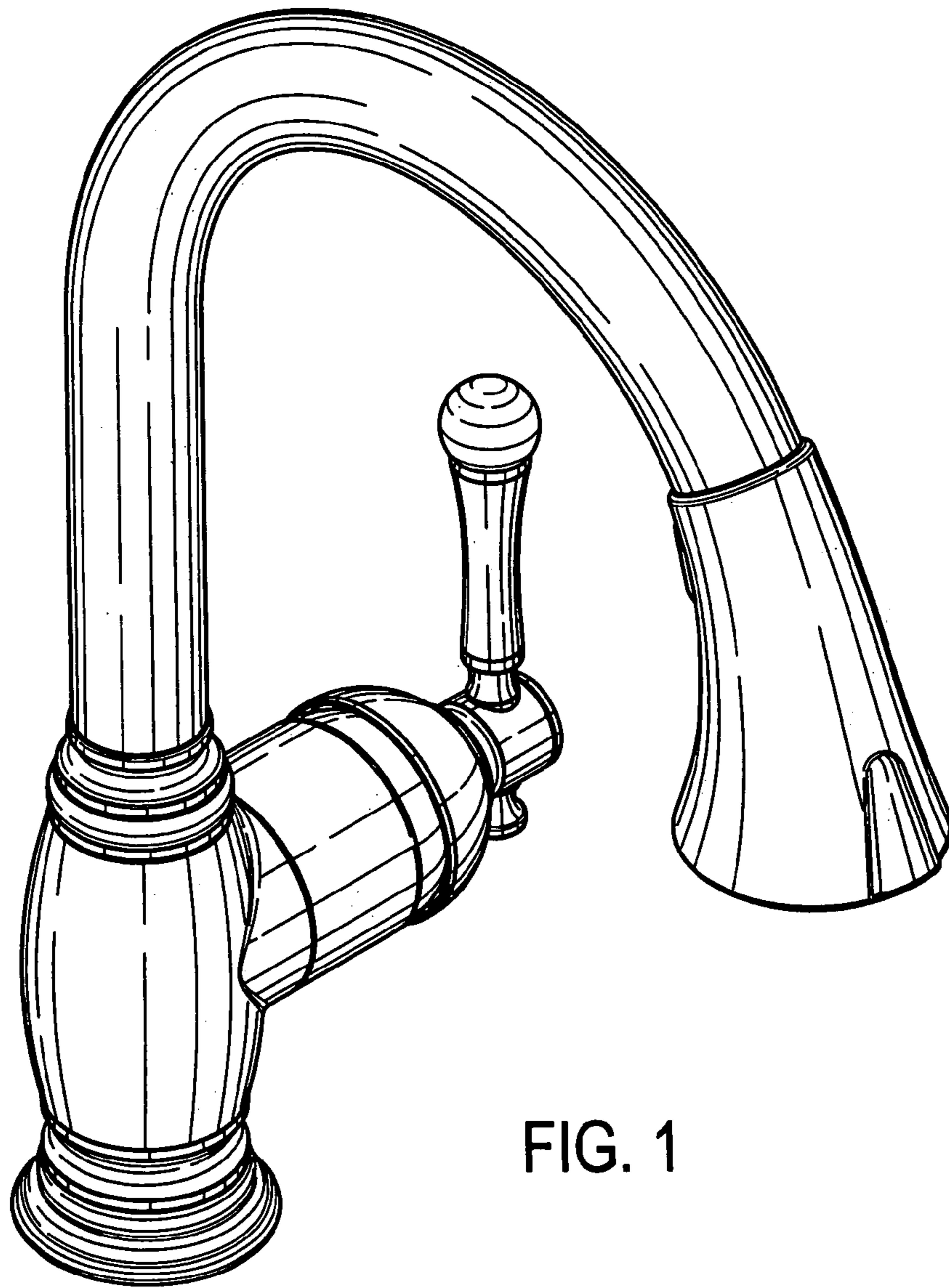


FIG. 1

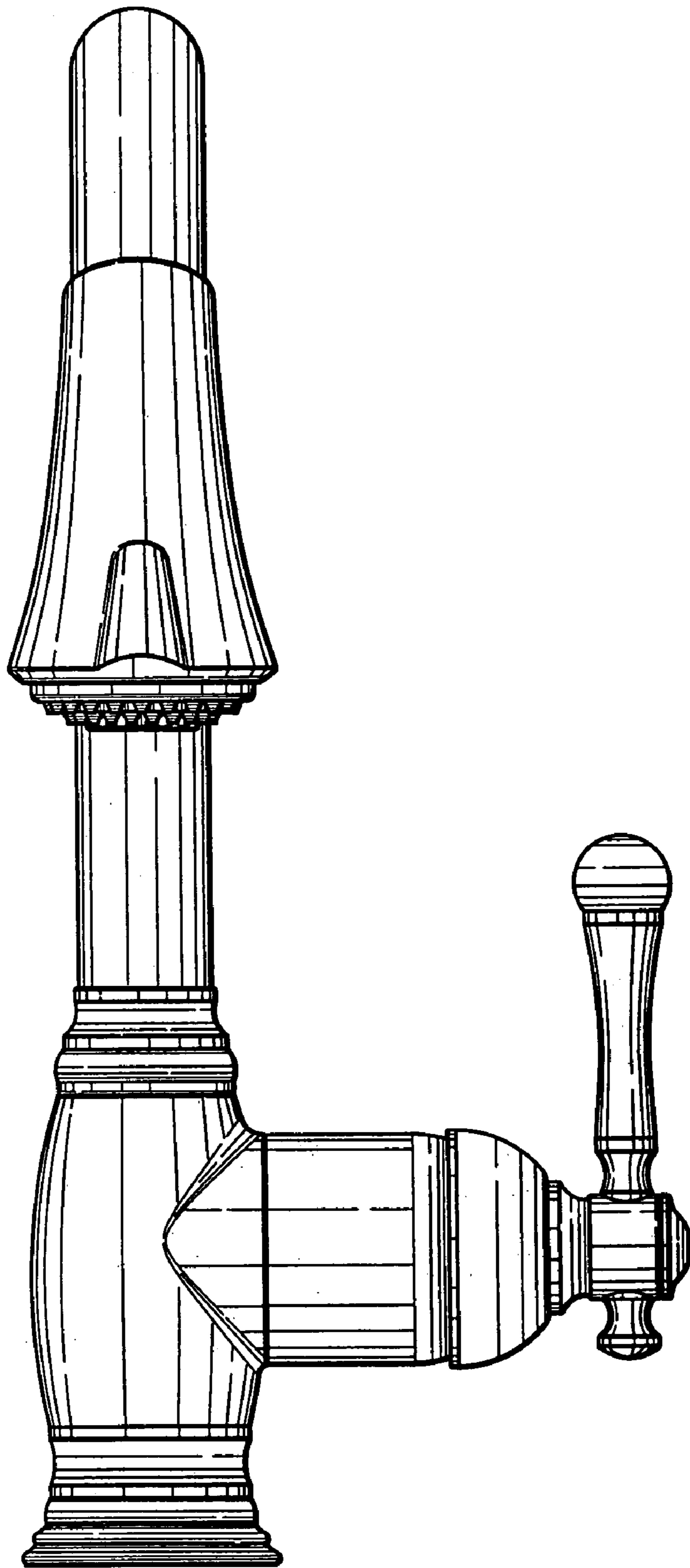


FIG. 2

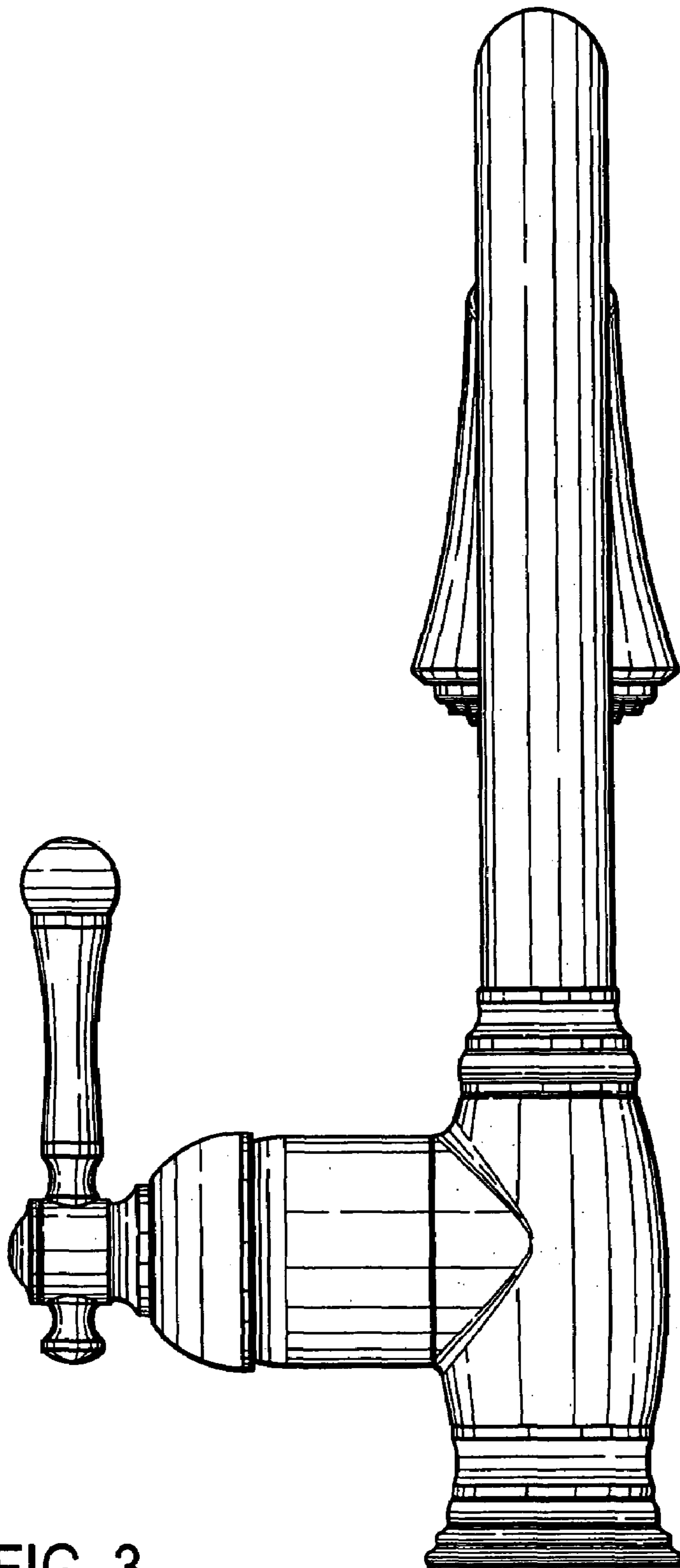


FIG. 3

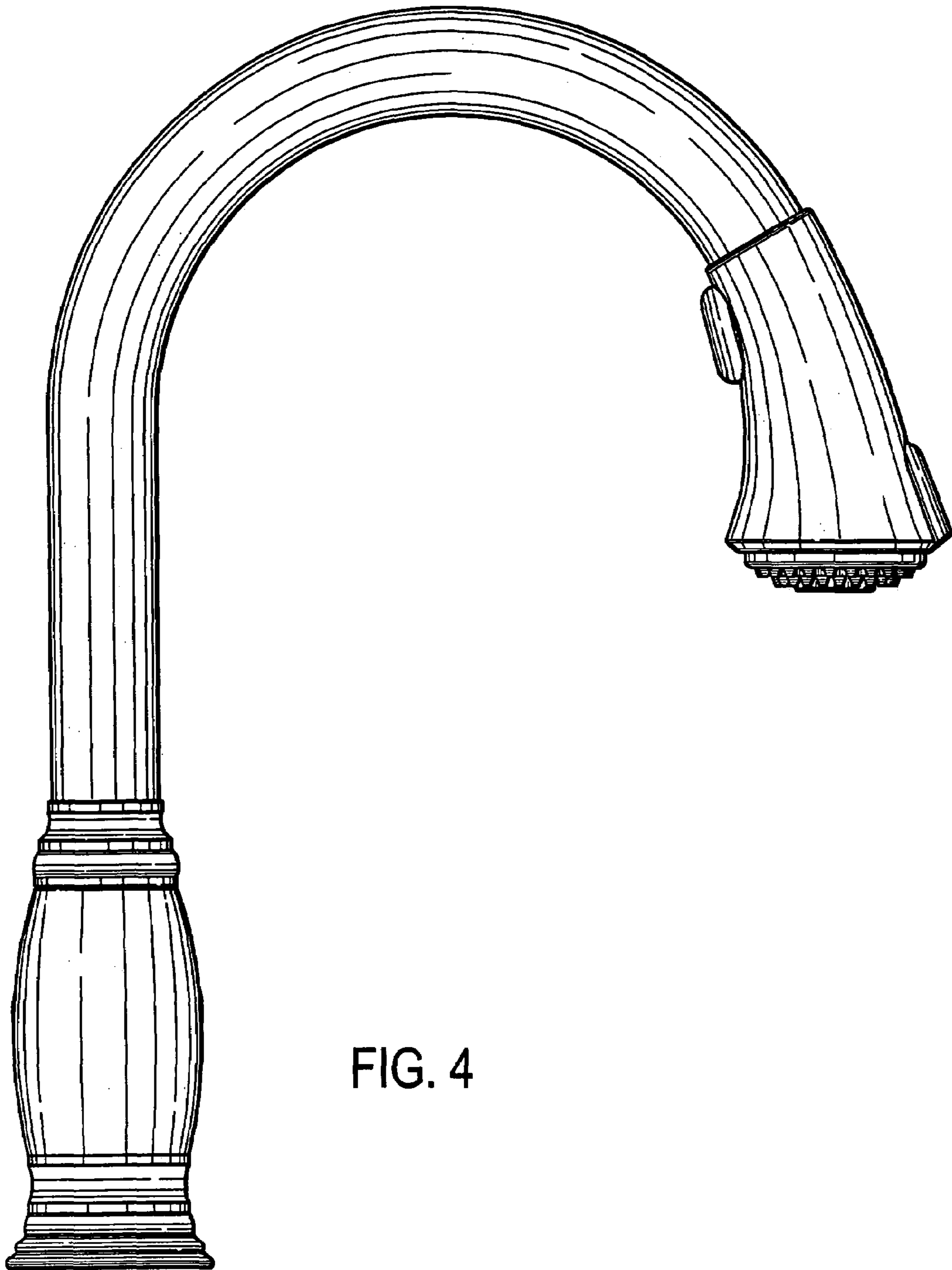


FIG. 4

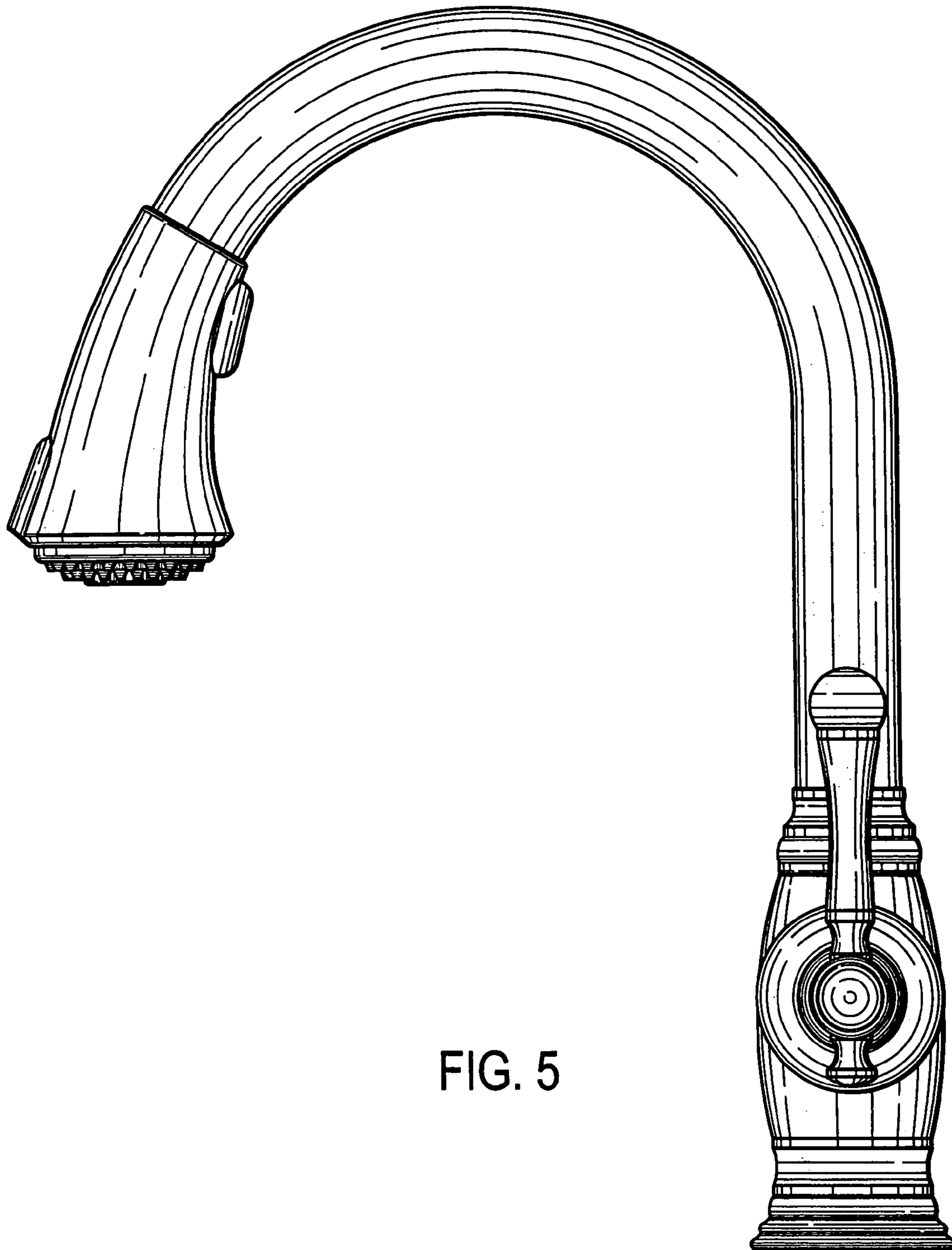


FIG. 5

FIG. 6

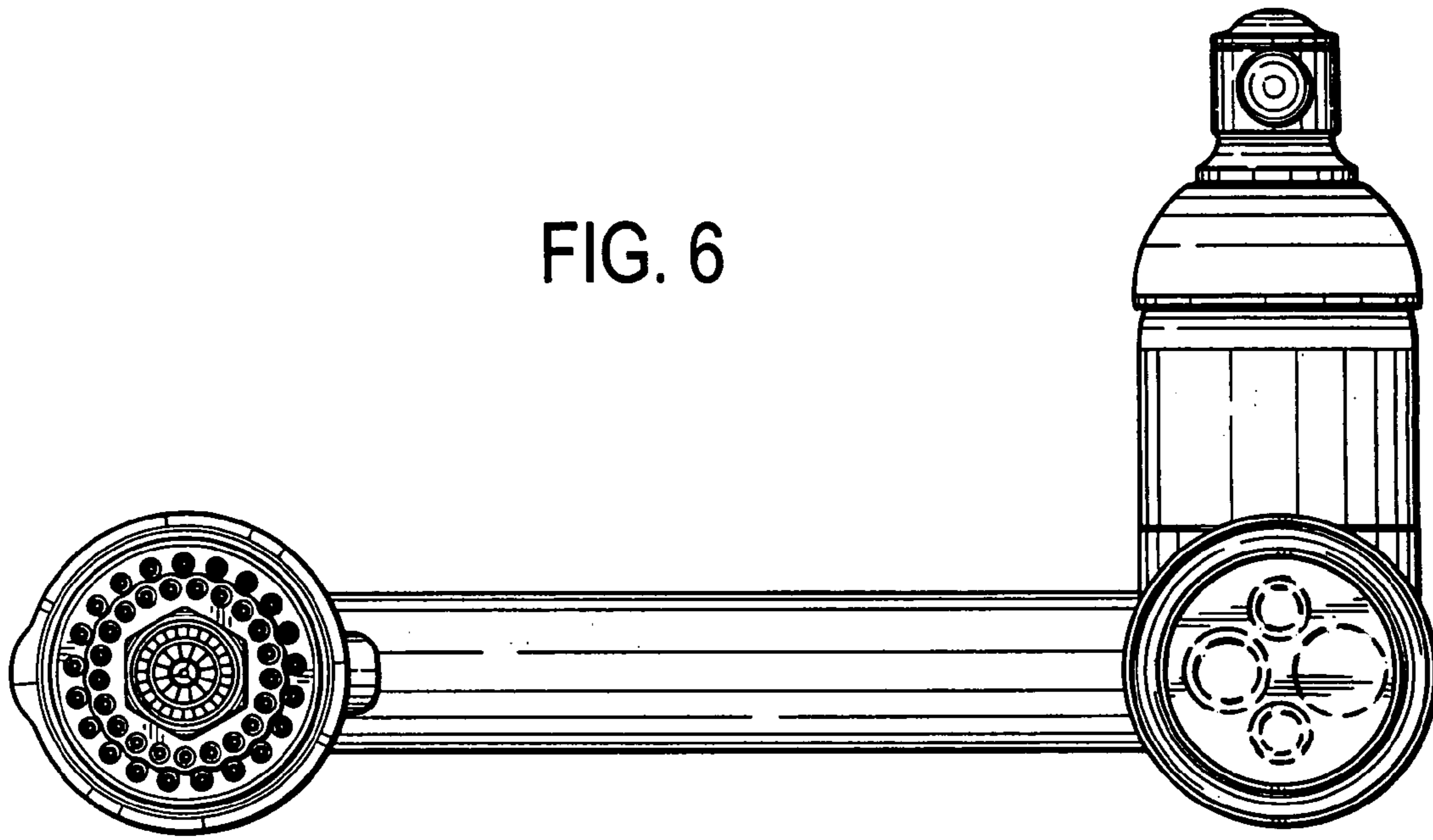


FIG. 7

