



US00D550328S

(12) **United States Design Patent**  
**Bruno et al.**

(10) **Patent No.:** **US D550,328 S**

(45) **Date of Patent:** **\*\* Sep. 4, 2007**

(54) **PAINT SPRAY PUMP WITH REAR LOUVERS**

D503,215 S \* 3/2005 Stevens et al. .... D23/225

(75) Inventors: **Robert H. Bruno**, Avon, CT (US);  
**Tunjung F. Ismoedi**, Jawa Tengah (ID);  
**Robert E. Miller**, Savage, MN (US);  
**Wayne Robens**, Lakeville, MN (US)

\* cited by examiner

*Primary Examiner*—Robin Webster

(74) *Attorney, Agent, or Firm*—Faegre & Benson LLP

(73) Assignee: **Wagner Spray Tech Corporation**,  
Plymouth, MN (US)

(57) **CLAIM**

The ornamental design for a paint spray pump with rear louvers, as shown.

(\*\*) Term: **14 Years**

(21) Appl. No.: **29/246,323**

(22) Filed: **Mar. 31, 2006**

(51) **LOC (8) Cl.** ..... **23-01**

(52) **U.S. Cl.** ..... **D23/225**

(58) **Field of Classification Search** ..... D23/213,  
D23/225, 231; 417/411; 222/333; 239/337,  
239/DIG. 14

See application file for complete search history.

**DESCRIPTION**

FIG. 1 is a perspective view of the article in which the design is embodied.

FIG. 2 is a front elevation view of the article in which the design is embodied.

FIG. 3 is a rear elevation view of the article in which the design is embodied.

FIG. 4 is a left side elevation view of the article in which the design is embodied.

FIG. 5 is a right side elevation view of the article in which the design is embodied.

FIG. 6 is a top plan view of the article in which the design is embodied; and,

FIG. 7 is a bottom plan view of the article in which the design is embodied.

(56) **References Cited**

**U.S. PATENT DOCUMENTS**

D243,690 S	*	3/1977	Doyel	.....	D23/225
D286,426 S	*	10/1986	Lin	.....	D23/225
D307,463 S	*	4/1990	Fushiya et al.	.....	D23/225
D490,500 S	*	5/2004	Ye et al.	.....	D23/225
D503,213 S	*	3/2005	Stevens et al.	.....	D23/225

**1 Claim, 7 Drawing Sheets**

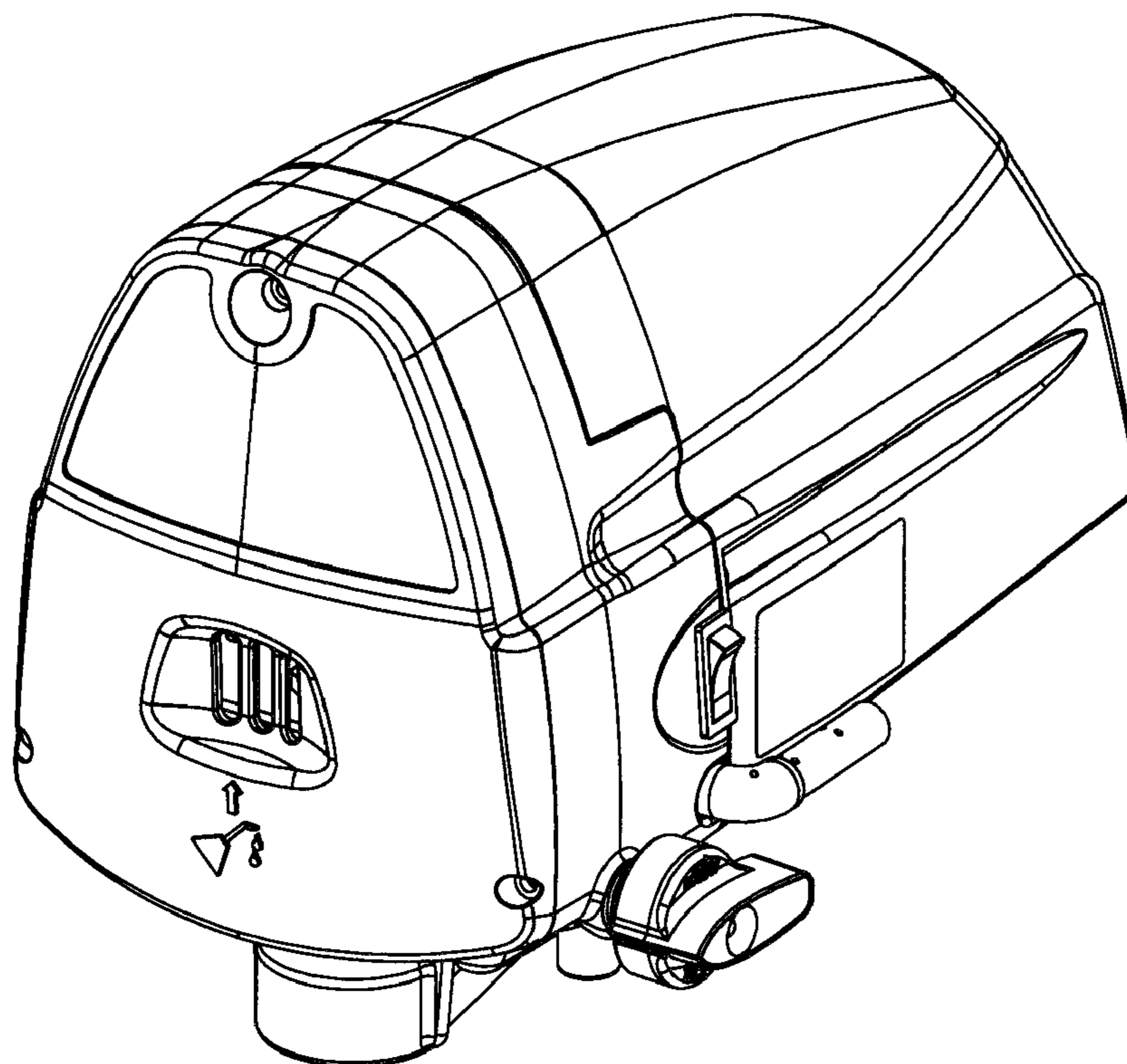


FIG. 1

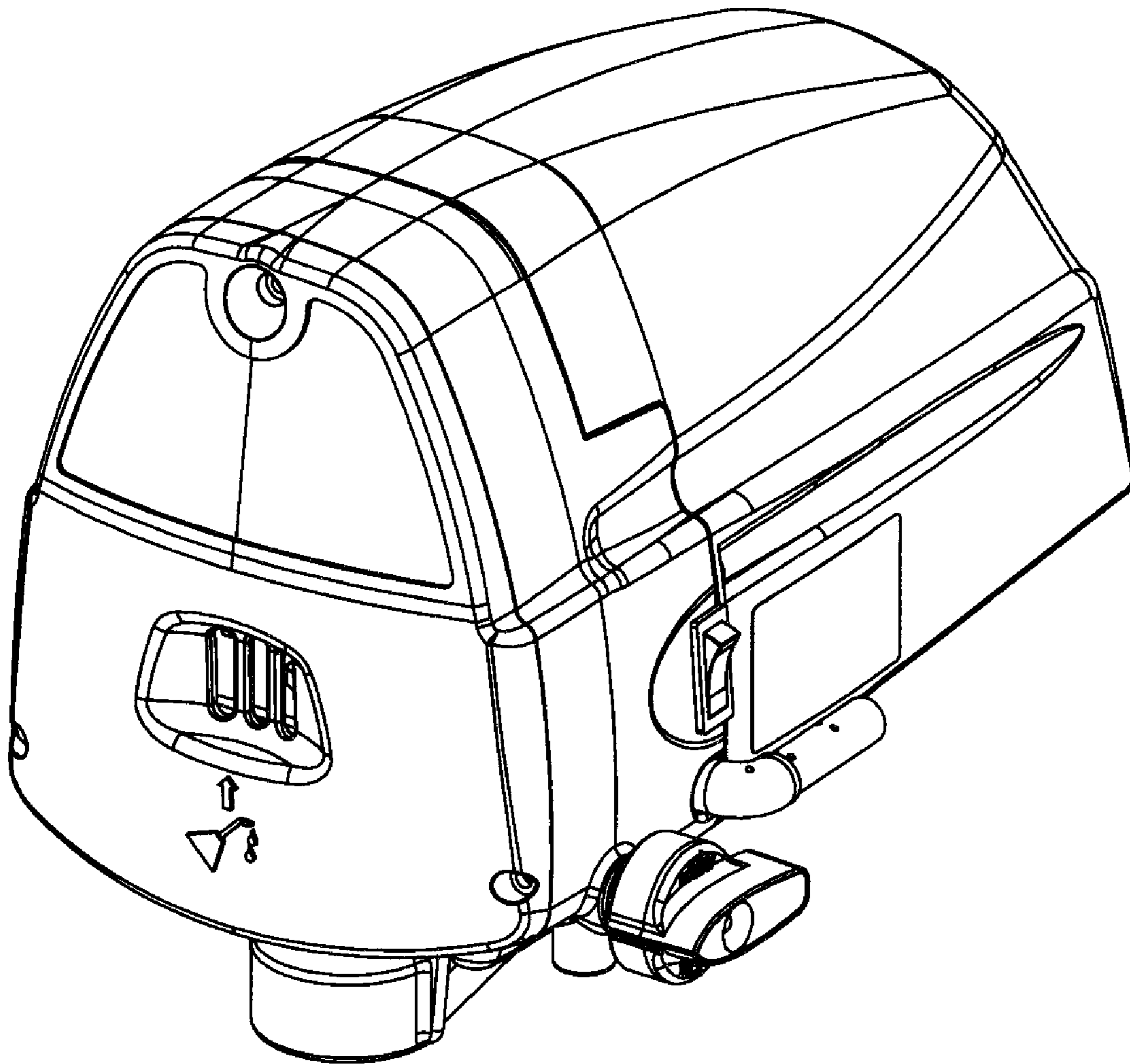


FIG. 2

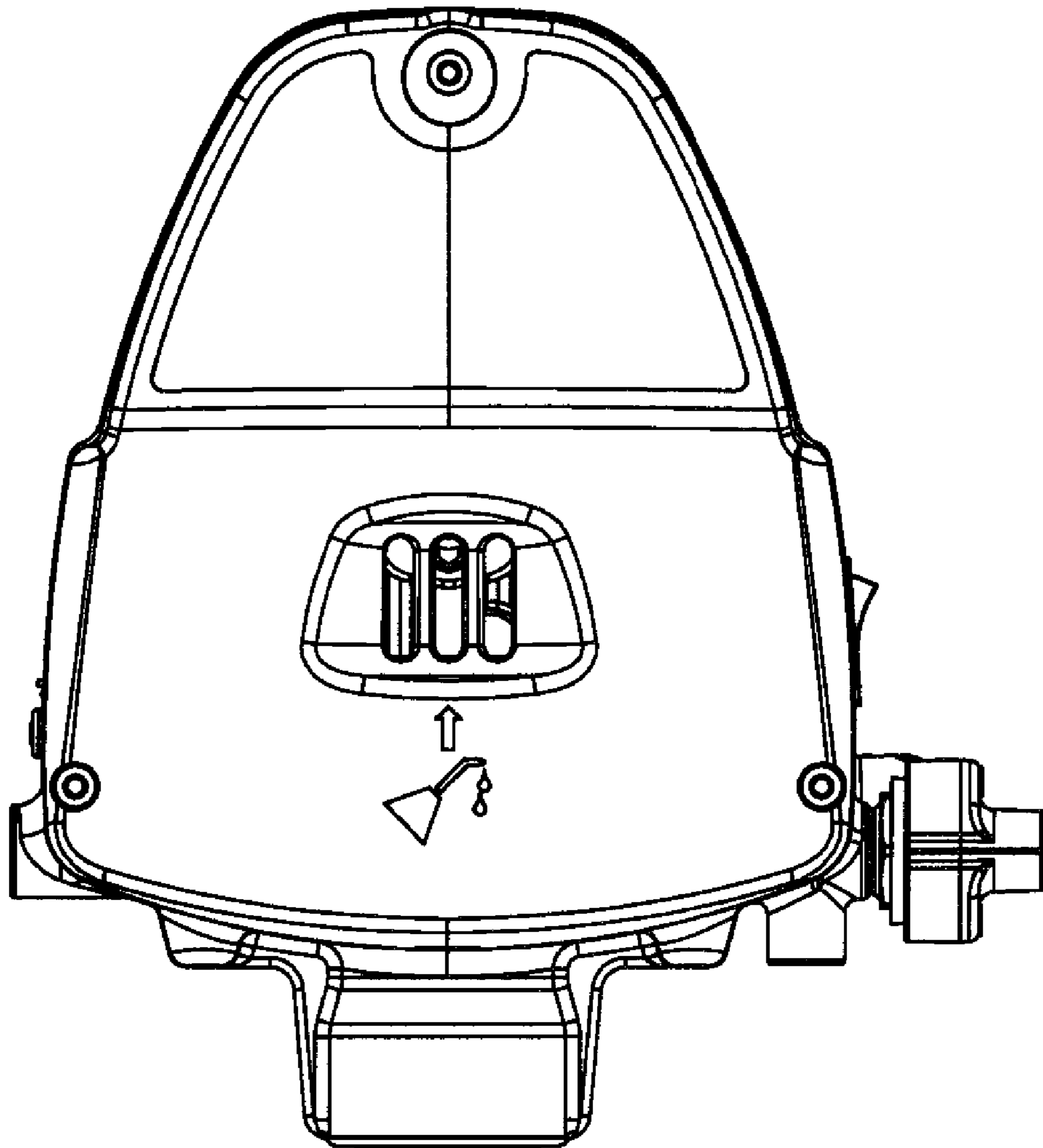


FIG. 3

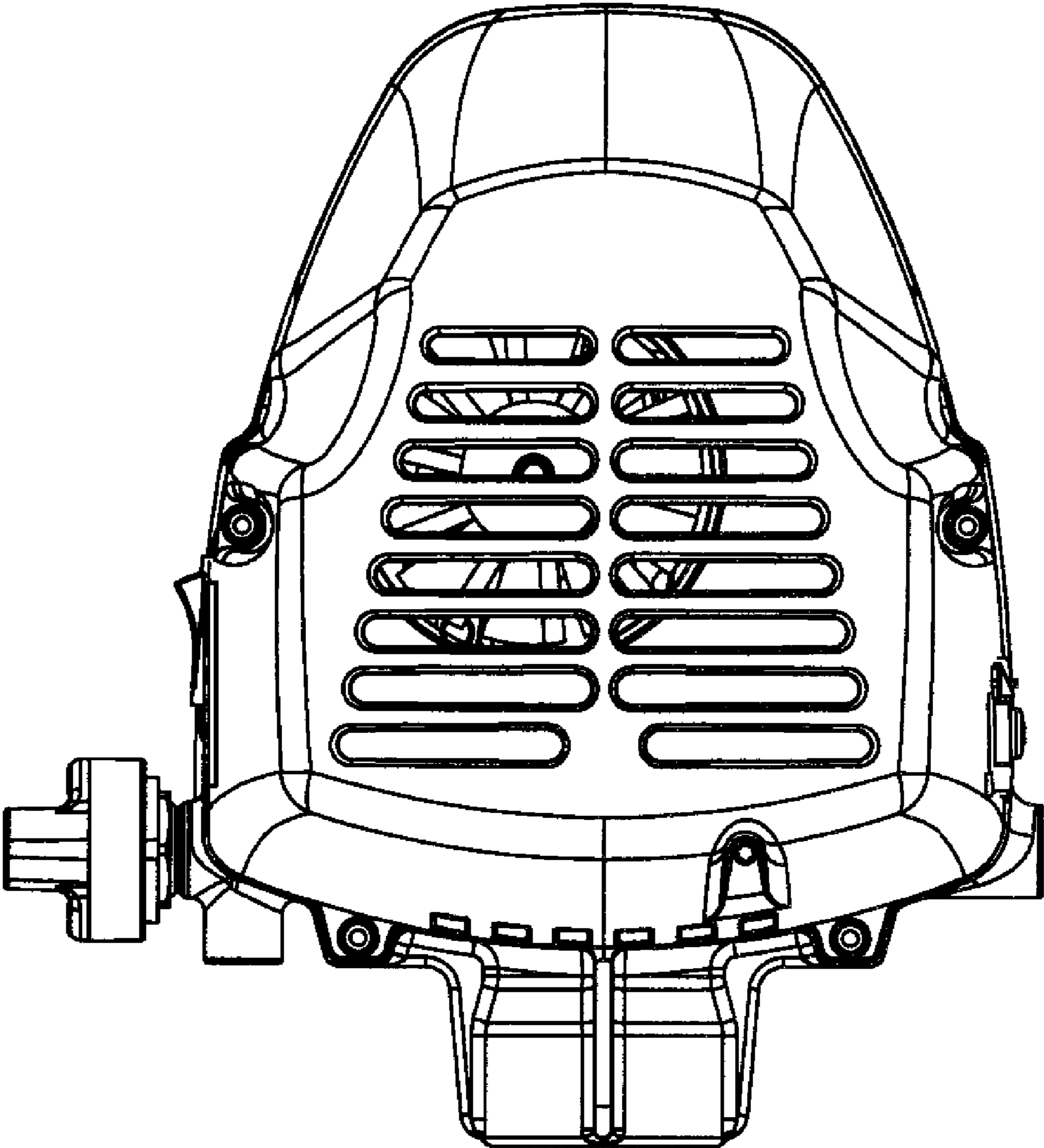


FIG. 4

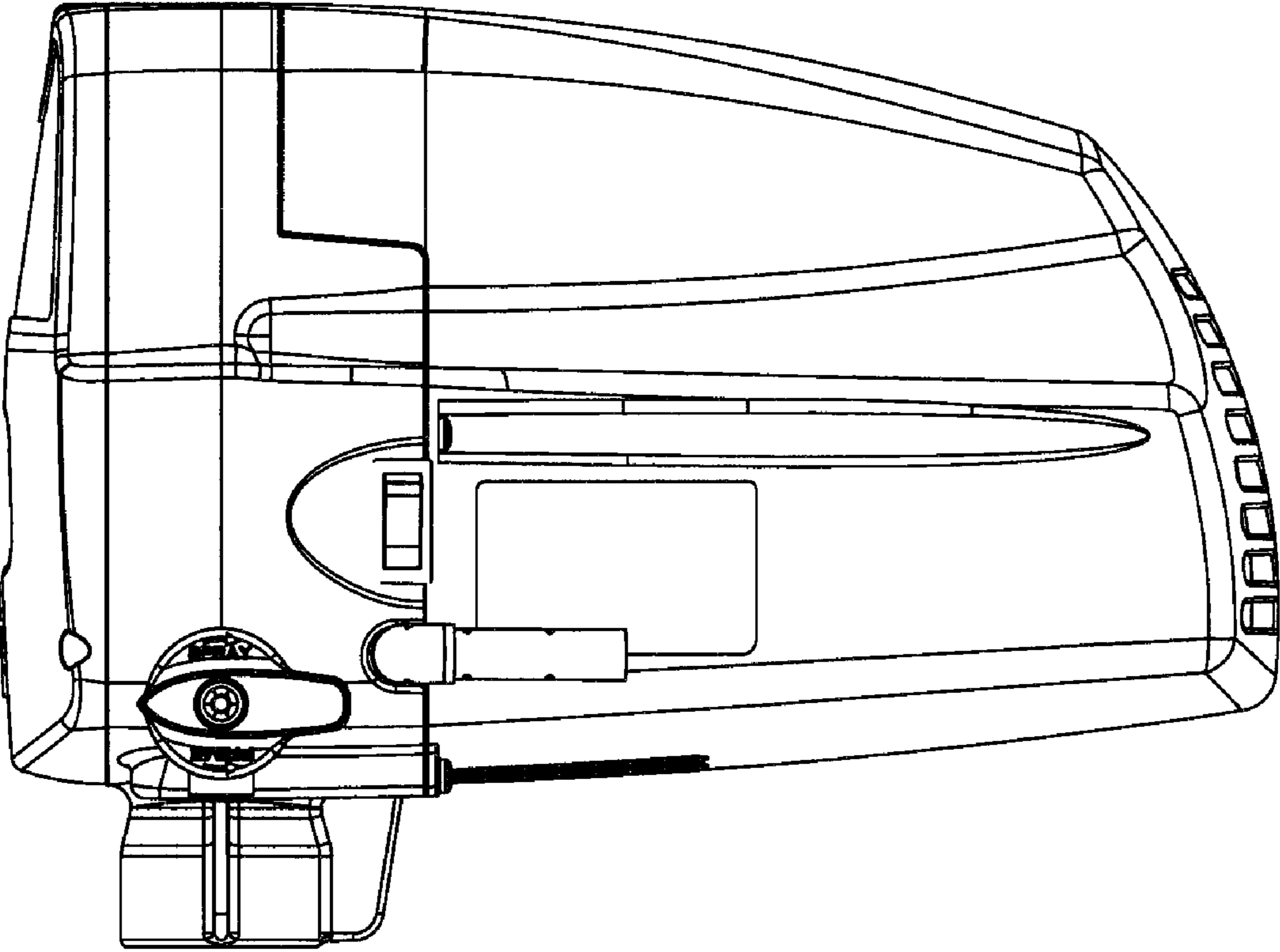


FIG. 5

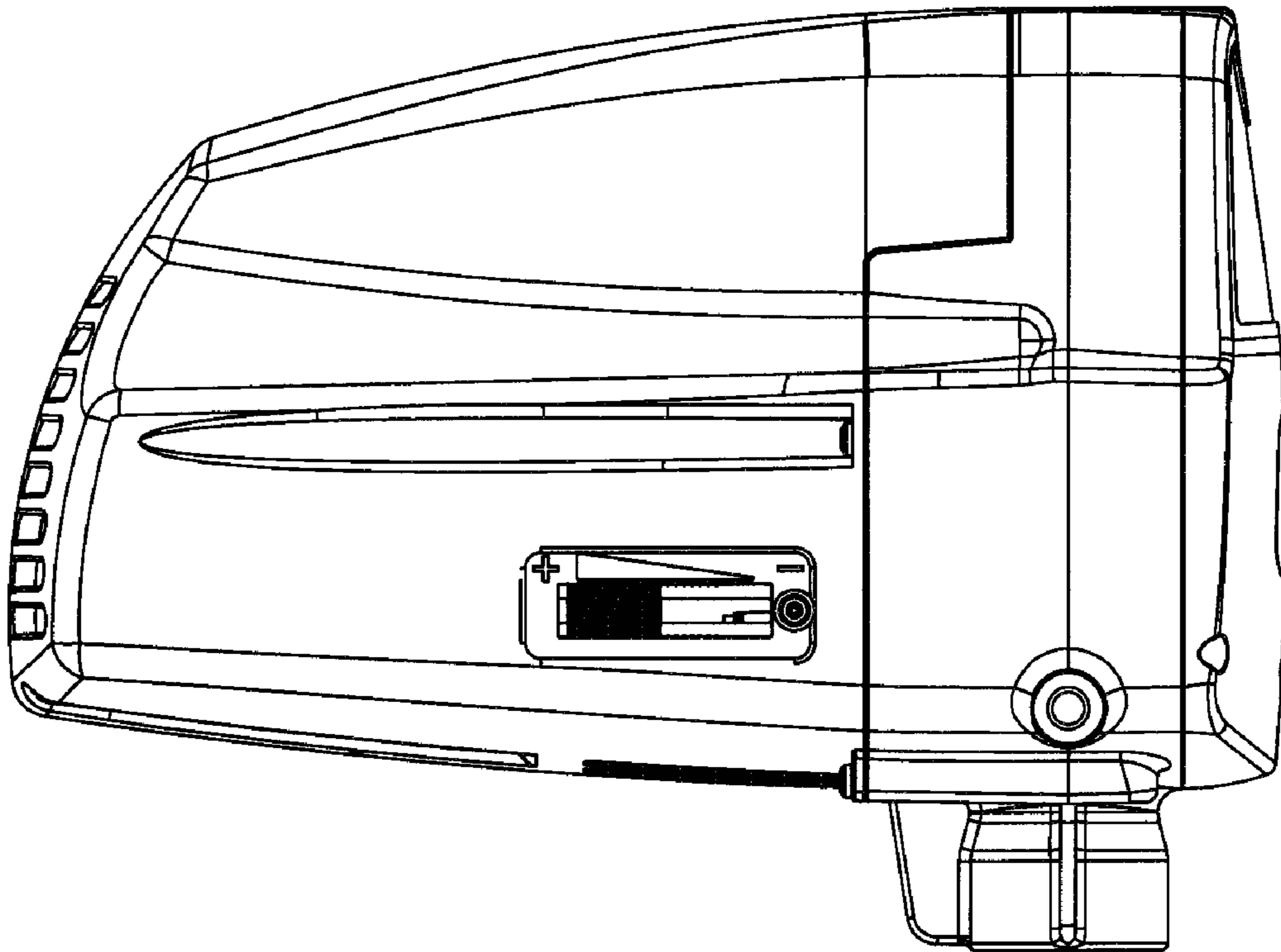


FIG. 6

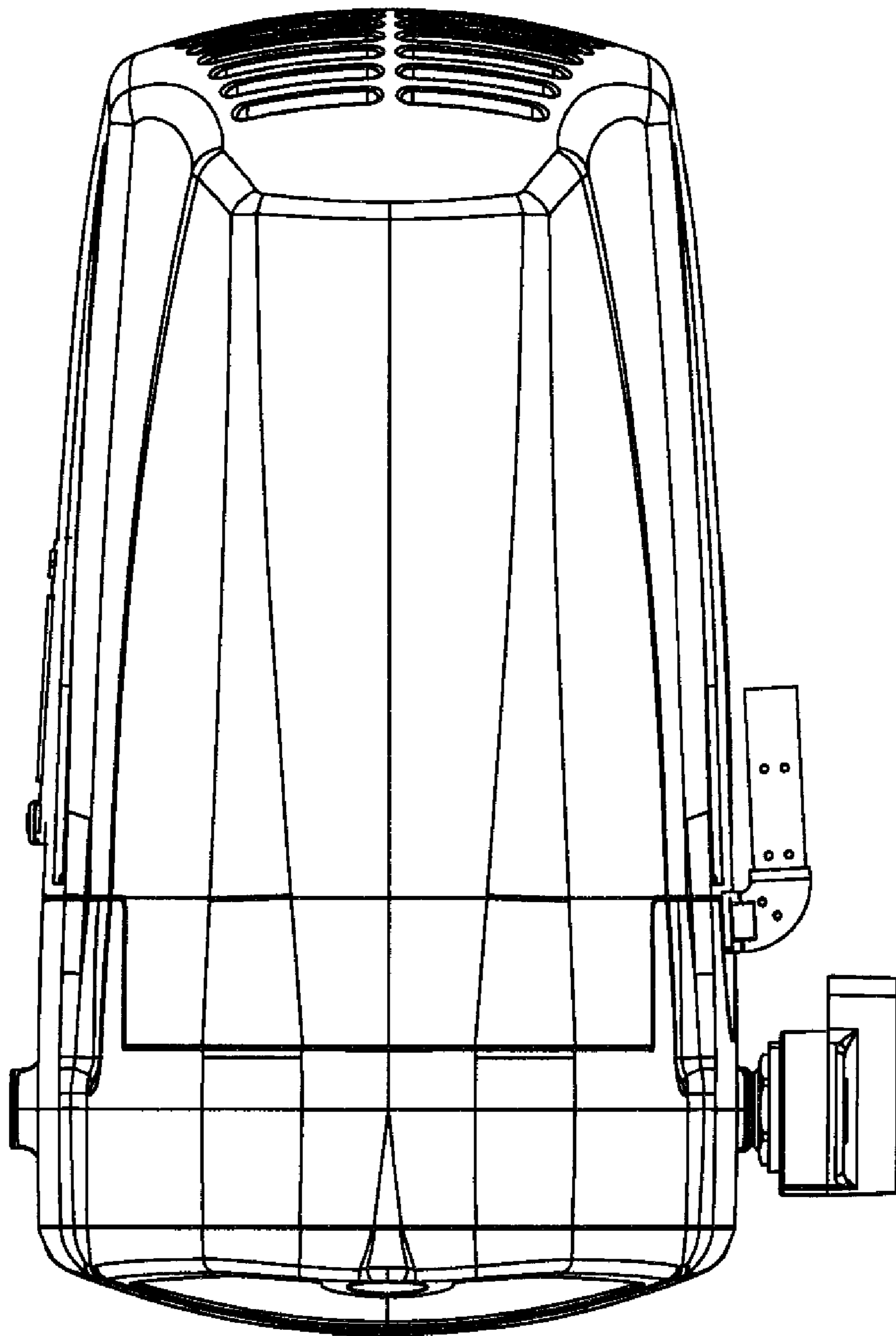


FIG. 7

