



US00D550327S

(12) **United States Design Patent**
Bruno et al.

(10) **Patent No.: US D550,327 S**

(45) **Date of Patent: ** Sep. 4, 2007**

(54) **PAINT SPRAY PUMP WITH HANDLE**

D503,215 S * 3/2005 Stevens et al. D23/225

(75) Inventors: **Robert H. Bruno**, Avon, CT (US);
Tunjung F. Ismoedi, Jawa Tengah, ID
(US); **Robert E. Miller**, Savage, MN
(US); **Wayne Robens**, Lakeville, MN
(US)

* cited by examiner

Primary Examiner—Robin Webster
(74) *Attorney, Agent, or Firm*—Faegre & Benson LLP

(73) Assignee: **Wagner Spray Tech Corporation**,
Plymouth, MN (US)

(57) **CLAIM**

The ornamental design for a paint spray pump with handle,
as shown.

(**) Term: **14 Years**

DESCRIPTION

(21) Appl. No.: **29/246,322**

FIG. 1 is a perspective view of the article in which the design
is embodied.

(22) Filed: **Mar. 31, 2006**

FIG. 2 is a front elevation view of the article in which the
design is embodied.

(51) **LOC (8) Cl.** **23-01**

(52) **U.S. Cl.** **D23/225**

FIG. 3 is a rear elevation view of the article in which the
design is embodied.

(58) **Field of Classification Search** D23/213,
D23/225, 231; 417/411; 222/333; 239/337,
239/DIG. 14

FIG. 4 is a left side elevation view of the article in which the
design is embodied.

See application file for complete search history.

FIG. 5 is a right side elevation view of the article in which
the design is embodied.

(56) **References Cited**

U.S. PATENT DOCUMENTS

D243,690 S *	3/1977	Doyel	D23/225
D286,426 S *	10/1986	Lin	D23/225
D307,463 S *	4/1990	Fushiya et al.	D23/225
D490,500 S *	5/2004	Ye et al.	D23/225
D503,213 S *	3/2005	Stevens et al.	D23/225

FIG. 6 is a top plan view of the article in which the design
is embodied; and,

FIG. 7 is a bottom plan view of the article in which the
design is embodied.

1 Claim, 7 Drawing Sheets

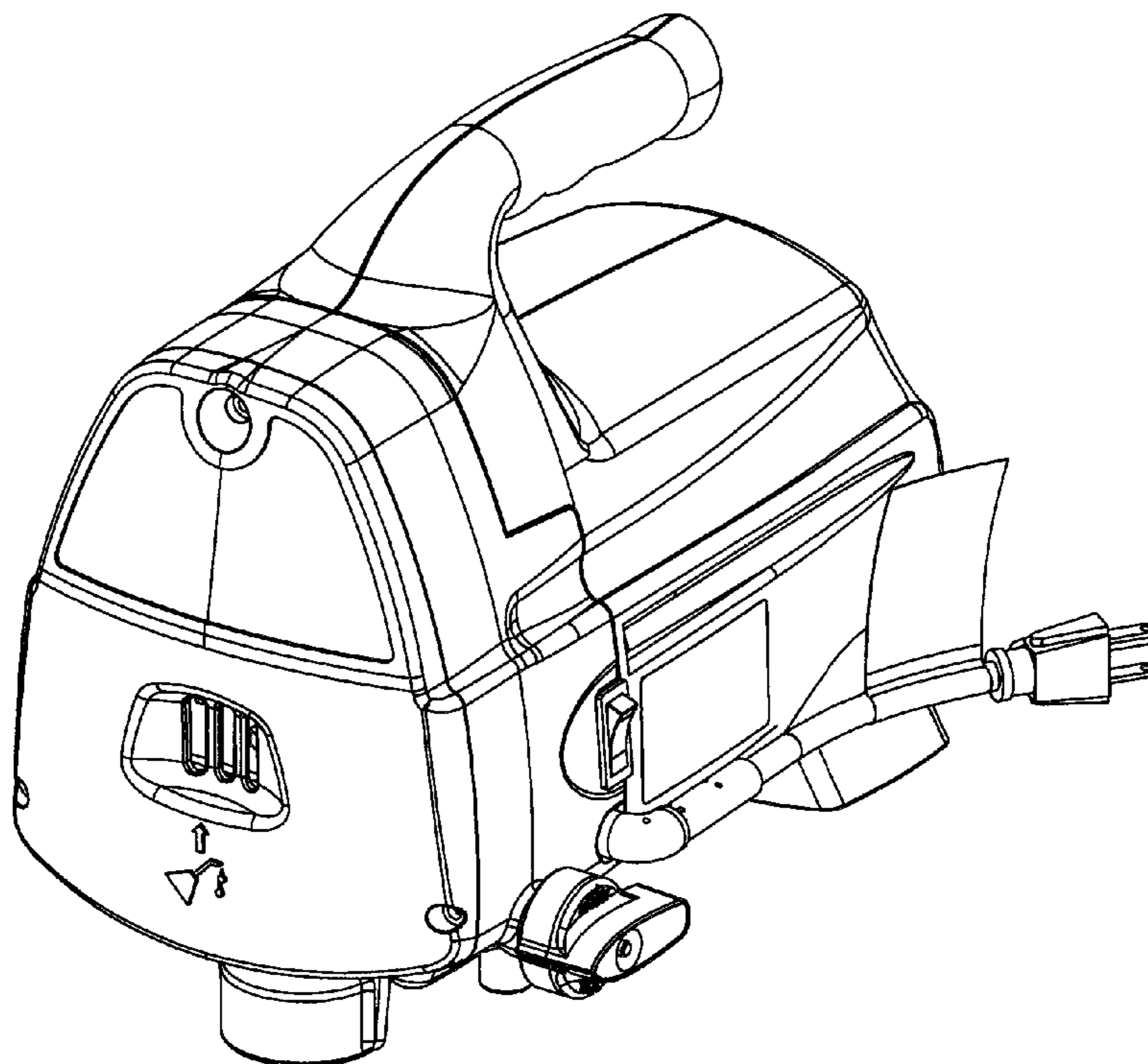


FIG. 1

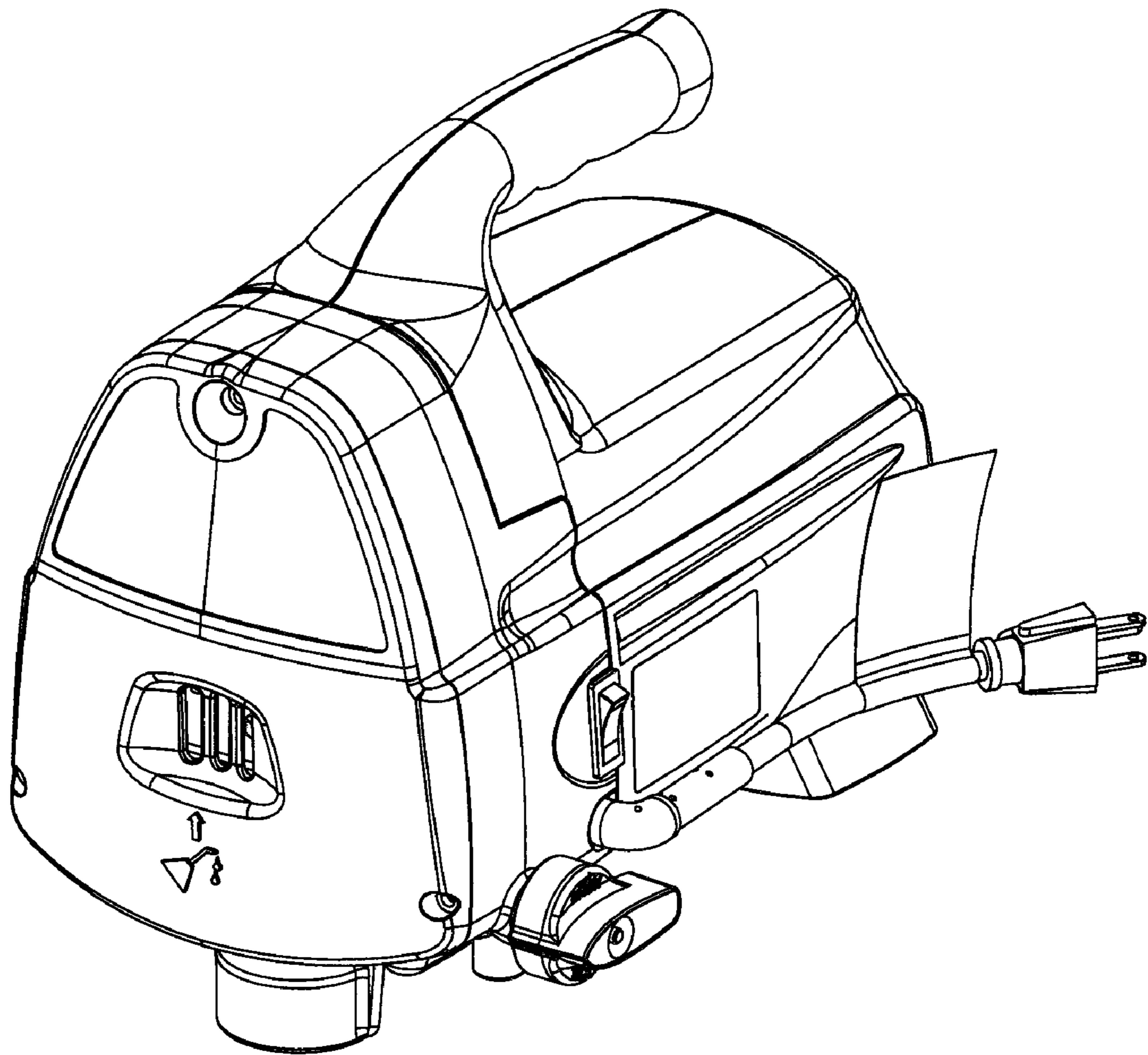


FIG. 2

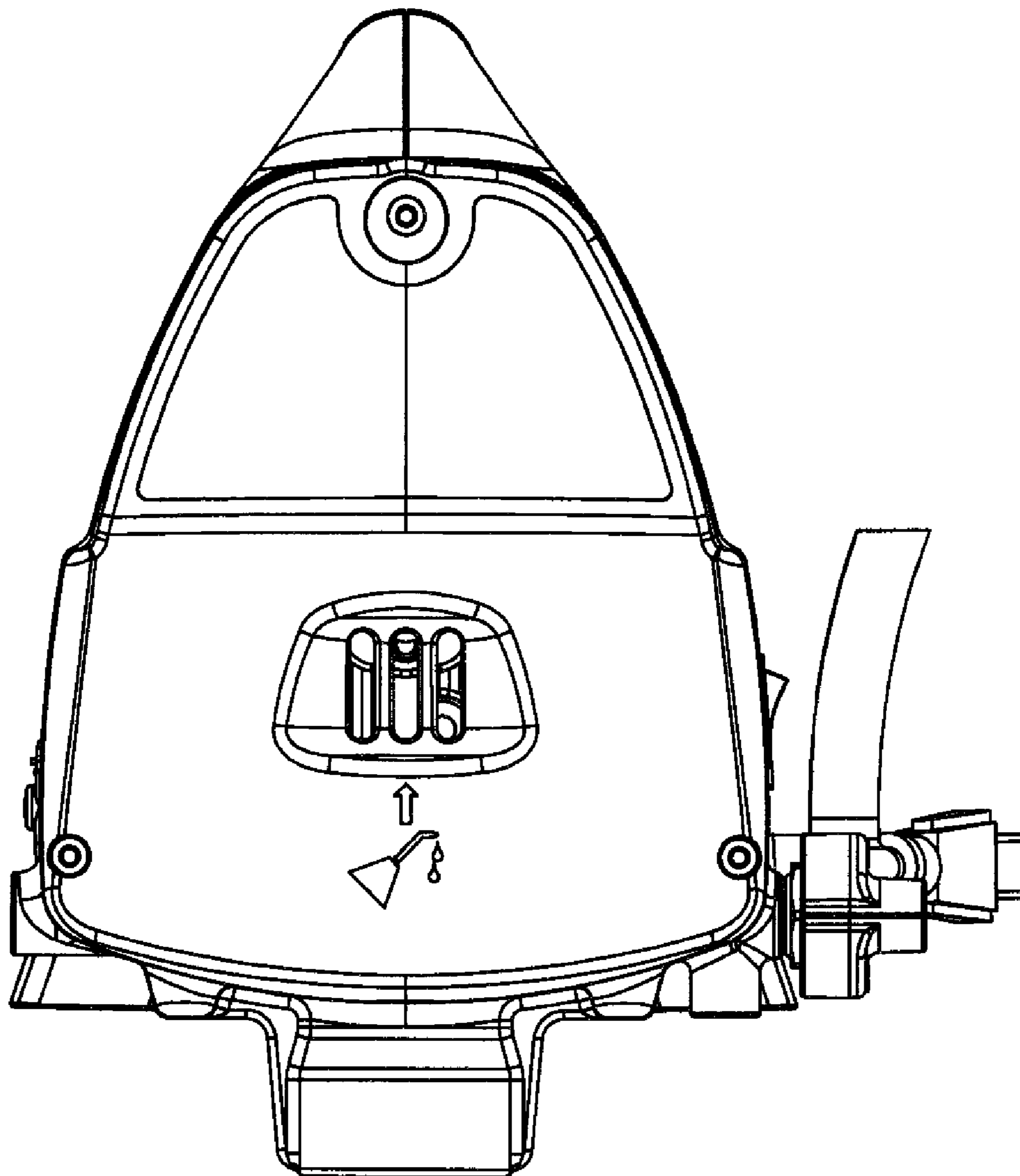


FIG. 3

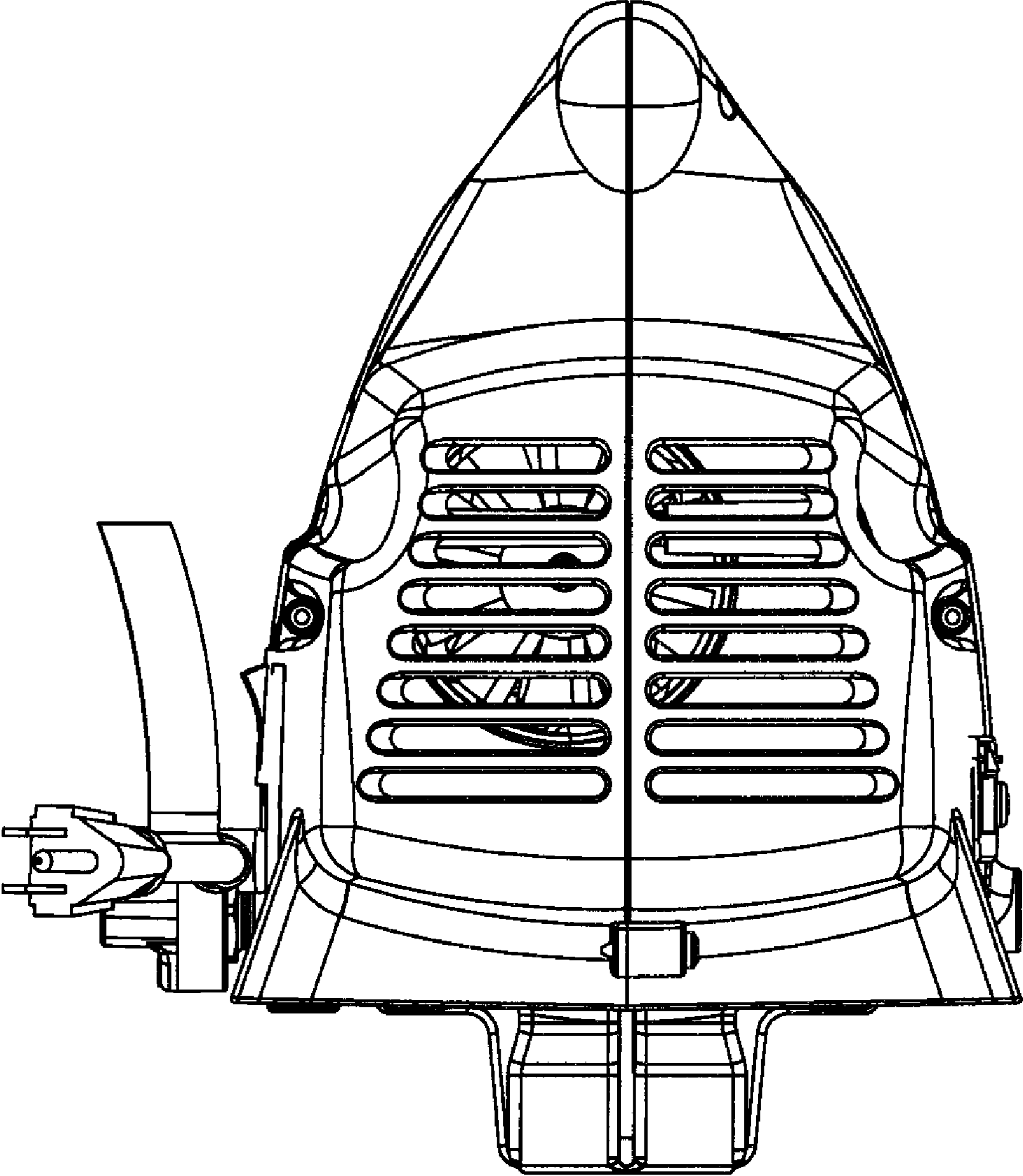


FIG. 4

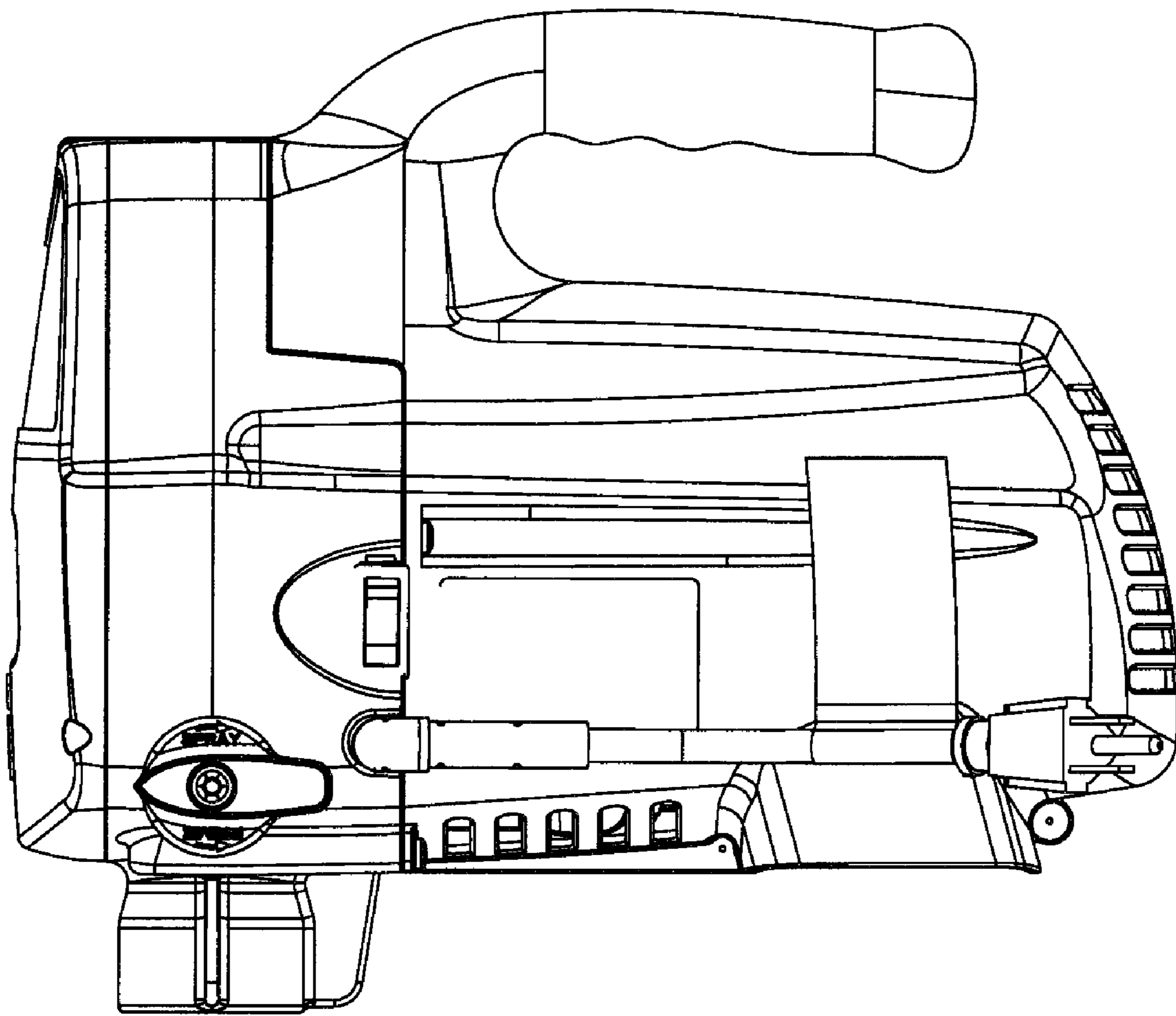


FIG. 5

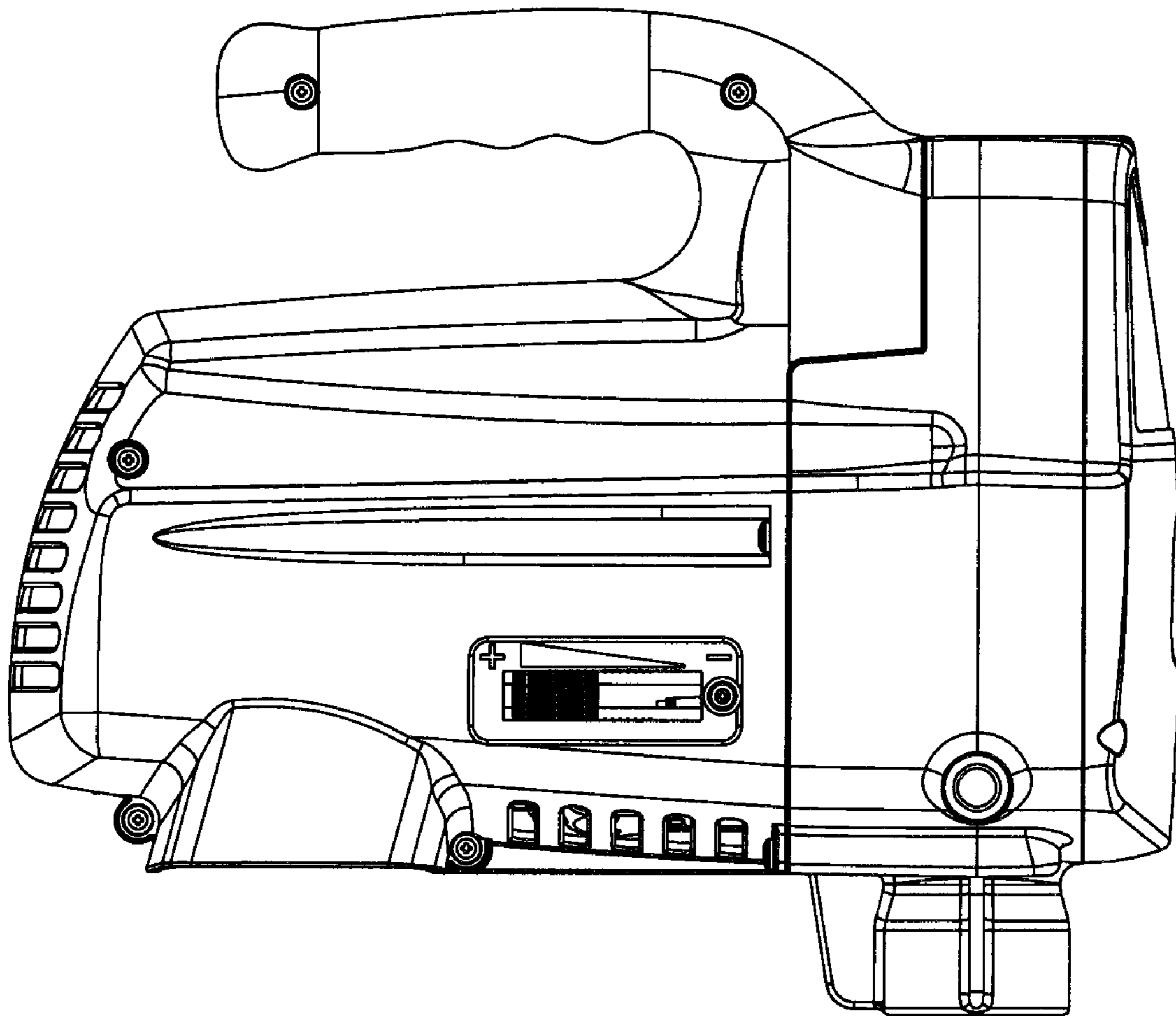


FIG. 6

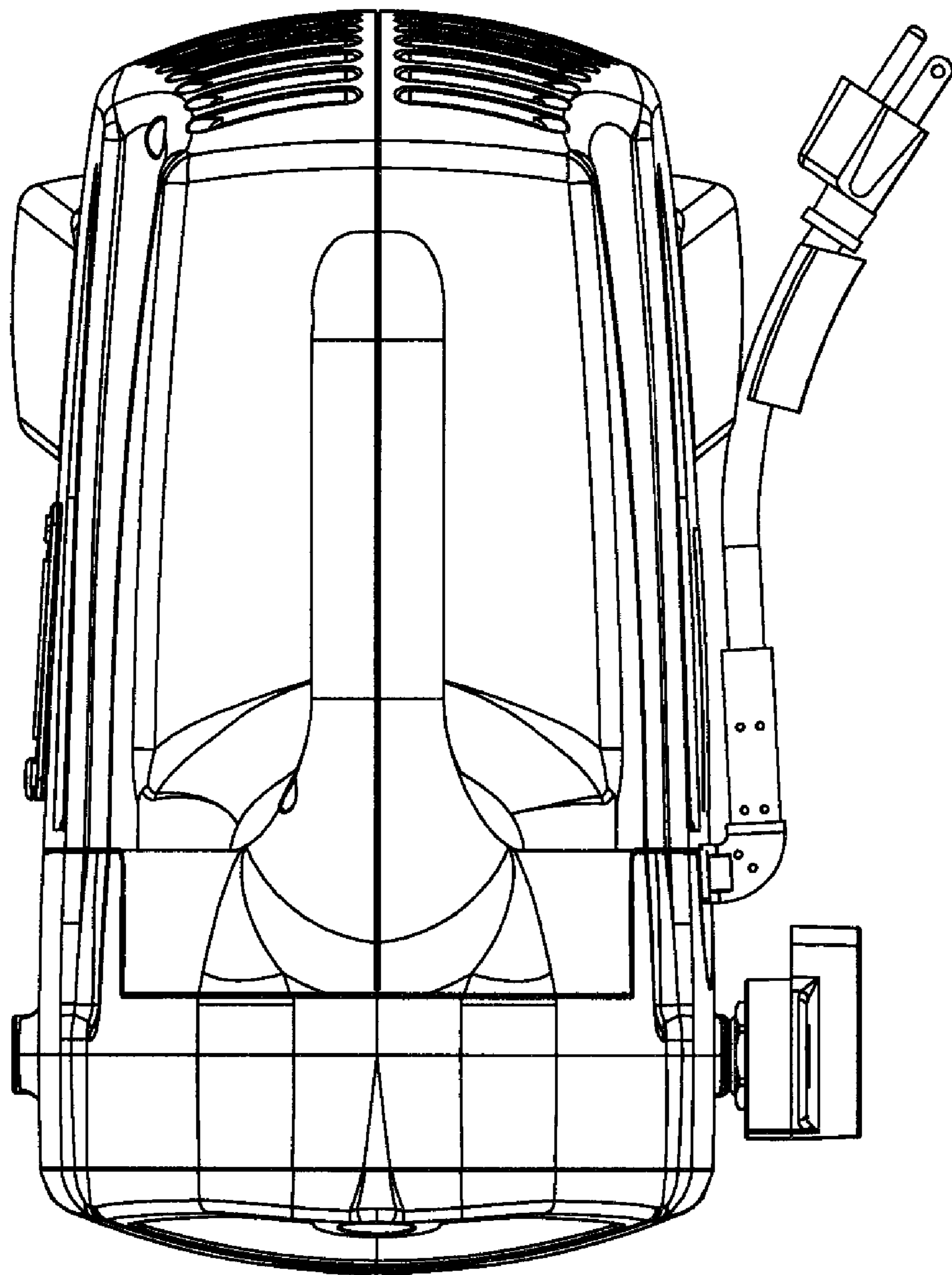


FIG. 7

