



US00D550324S

(12) **United States Design Patent**  
**Mullen**

(10) **Patent No.:** **US D550,324 S**

(45) **Date of Patent:** **\*\* Sep. 4, 2007**

(54) **FISHING ROD WITH MOTORIZED REEL**

6,126,104 A 10/2000 Kellerman ..... 242/225  
D518,868 S \* 4/2006 von Mohr et al. .... D22/137

(76) Inventor: **Kim Mullen**, 7954 State Route 52, Lot  
28, Narrowsburg, NY (US) 12764

\* cited by examiner

(\*\*) Term: **14 Years**

*Primary Examiner*—Catherine R. Oliver  
(74) *Attorney, Agent, or Firm*—Crossley Patent Law; Mark  
A. Crossley

(21) Appl. No.: **29/275,062**

(22) Filed: **Dec. 12, 2006**

(57) **CLAIM**

(51) **LOC (8) Cl.** ..... **22-05**

The ornamental design for a fishing rod with motorized reel,  
as shown and described.

(52) **U.S. Cl.** ..... **D22/138**

(58) **Field of Classification Search** ..... D22/137–141;  
43/19–23; 242/223–224, 311, 233, 229,  
242/241

**DESCRIPTION**

See application file for complete search history.

FIG. 1 is a right side elevation view of a fishing rod with  
motorized reel showing my new design;

(56) **References Cited**

**U.S. PATENT DOCUMENTS**

3,195,830 A	7/1965	Balaguer	.....	242/225
4,344,587 A	8/1982	Hildreth	.....	242/105
4,962,901 A	10/1990	Shirley et al.	.....	242/323
5,088,657 A	2/1992	Chen	.....	224/226
5,400,979 A	3/1995	Goodman	.....	242/225
D396,262 S *	7/1998	Burdick	.....	D22/138
D407,136 S *	3/1999	Merrill et al.	.....	D22/137
6,056,219 A	5/2000	Barkley	.....	242/225

FIG. 2 is a left side elevation view;

FIG. 3 is a front elevation view;

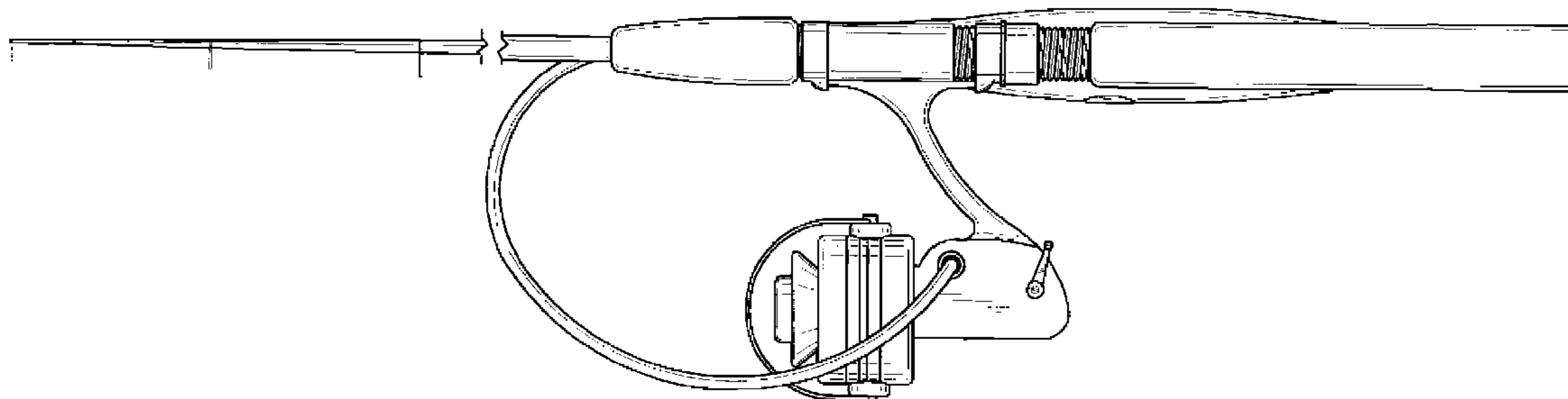
FIG. 4 is a rear elevation view;

FIG. 5 is a top plan view; and,

FIG. 6 is a bottom plan view of a fishing rod with motorized  
reel showing my new design.

The fishing rod is shown broken away for convenience of  
illustration.

**1 Claim, 3 Drawing Sheets**



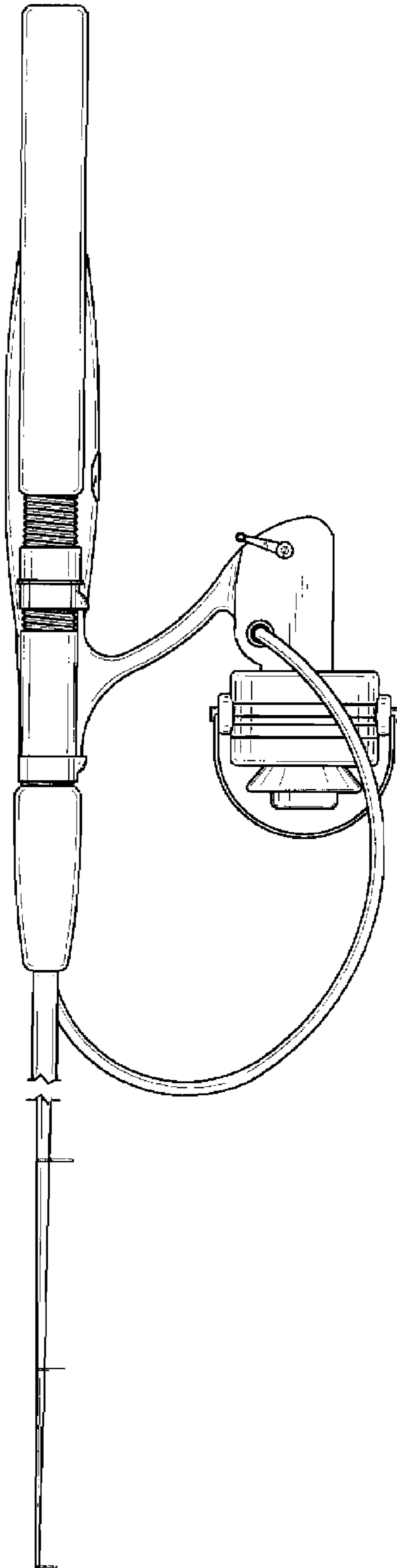


FIG. 1

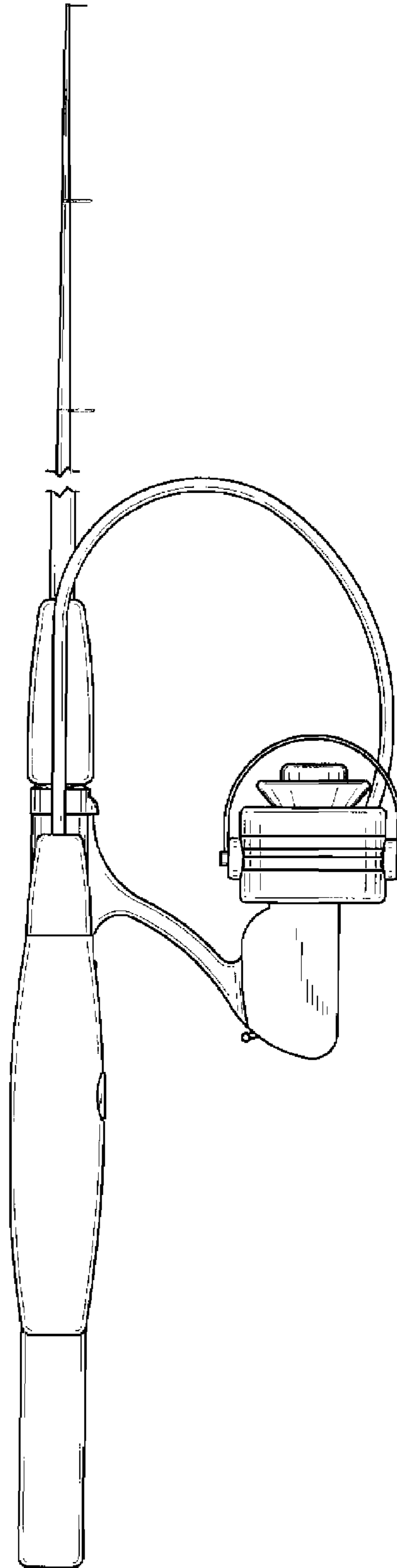


FIG. 2

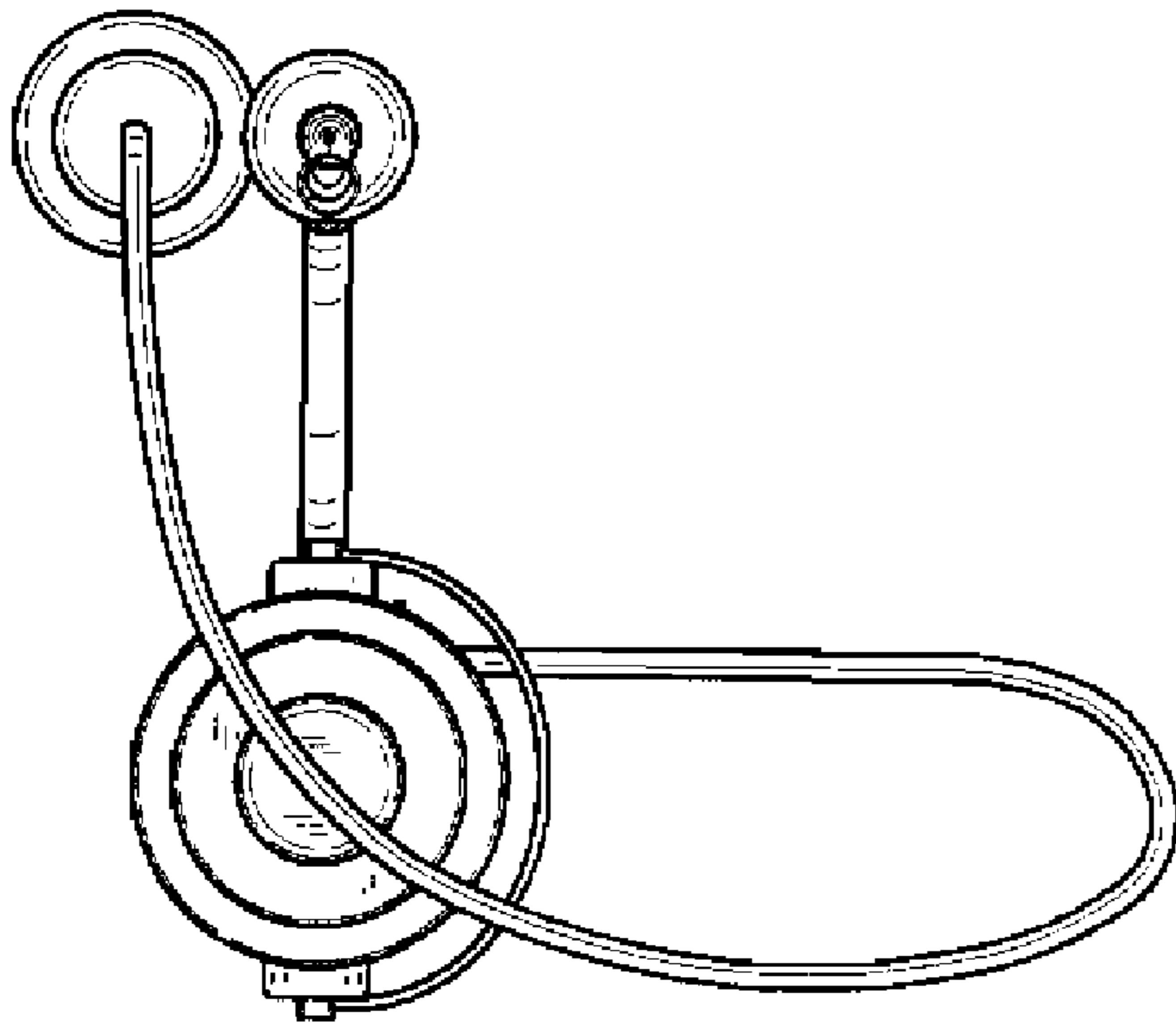


FIG. 3

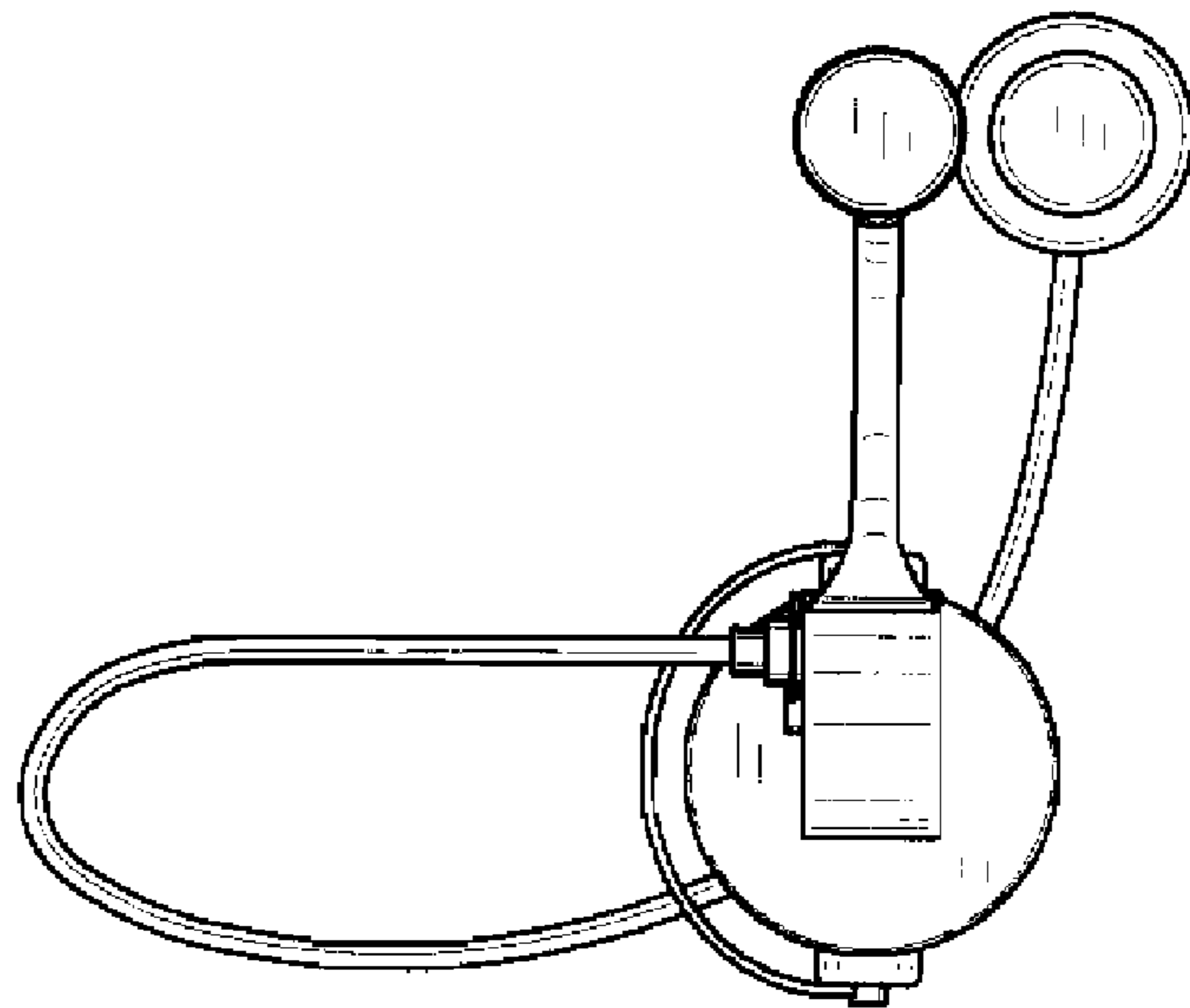


FIG. 4

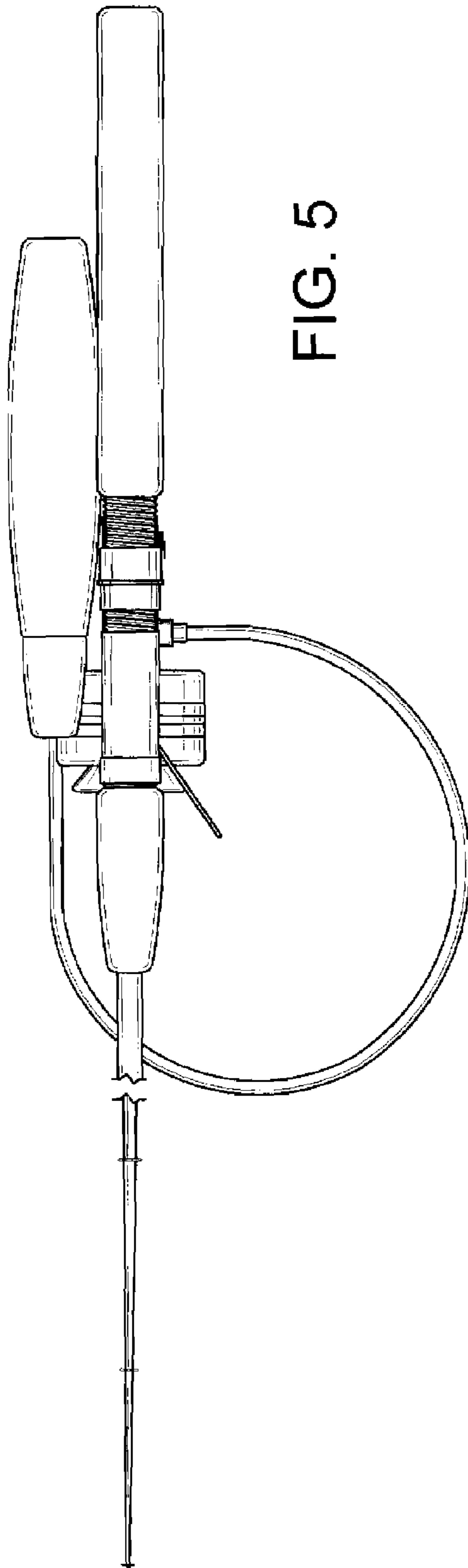


FIG. 5

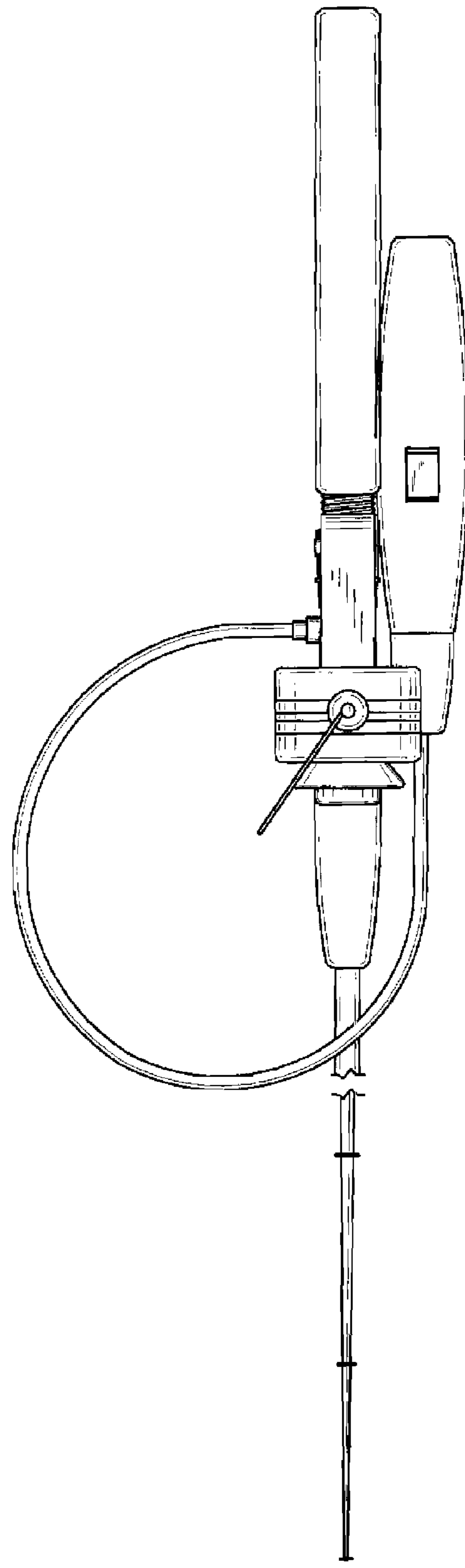


FIG. 6