



US00D550322S

(12) **United States Design Patent**
Stacey

(10) **Patent No.:** **US D550,322 S**

(45) **Date of Patent:** **** Sep. 4, 2007**

(54) **FISHING LURE WIRE FORM**

(76) Inventor: **John Stacey**, 4247 Middle Run Rd.,
Springvalley, OH (US) 45370

(**) Term: **14 Years**

(21) Appl. No.: **29/269,587**

(22) Filed: **Dec. 4, 2006**

(51) **LOC (8) Cl.** **22-05**

(52) **U.S. Cl.** **D22/128**

(58) **Field of Classification Search** D22/125-133;
43/42.34, 42.32, 42.39, 42.36, 42.08, 42.09,
43/42.31, 42.25

See application file for complete search history.

(56) **References Cited**

U.S. PATENT DOCUMENTS

4,551,940	A *	11/1985	East	43/42.11
D302,200	S *	7/1989	Williams, Jr.	D22/129
D320,429	S *	10/1991	Williams, Jr.	D22/129
D334,041	S *	3/1993	Falcon	D22/129
5,251,395	A	10/1993	Wicklund		
D471,951	S *	3/2003	Bowman	D22/129
6,591,543	B2	7/2003	Sabine		
6,796,080	B1	9/2004	Mathews, Jr.		
6,840,001	B1	1/2005	Cox		
6,955,004	B2	10/2005	Phipps		
D519,597	S *	4/2006	Ratliff	D22/128
2002/0040545	A1	4/2002	Sabine		
2002/0050090	A1	5/2002	Lloyd		

2003/0093940 A1 5/2003 Walker
2004/0020101 A1 2/2004 Northrop
2005/0155273 A1 7/2005 Phipps
2005/0166444 A1 8/2005 Taylor

* cited by examiner

Primary Examiner—Catherine R. Oliver

(74) *Attorney, Agent, or Firm*—Saliwanchik, Lloyd & Saliwanchik

(57) **CLAIM**

The ornamental design for a fishing lure wire form, as shown and described.

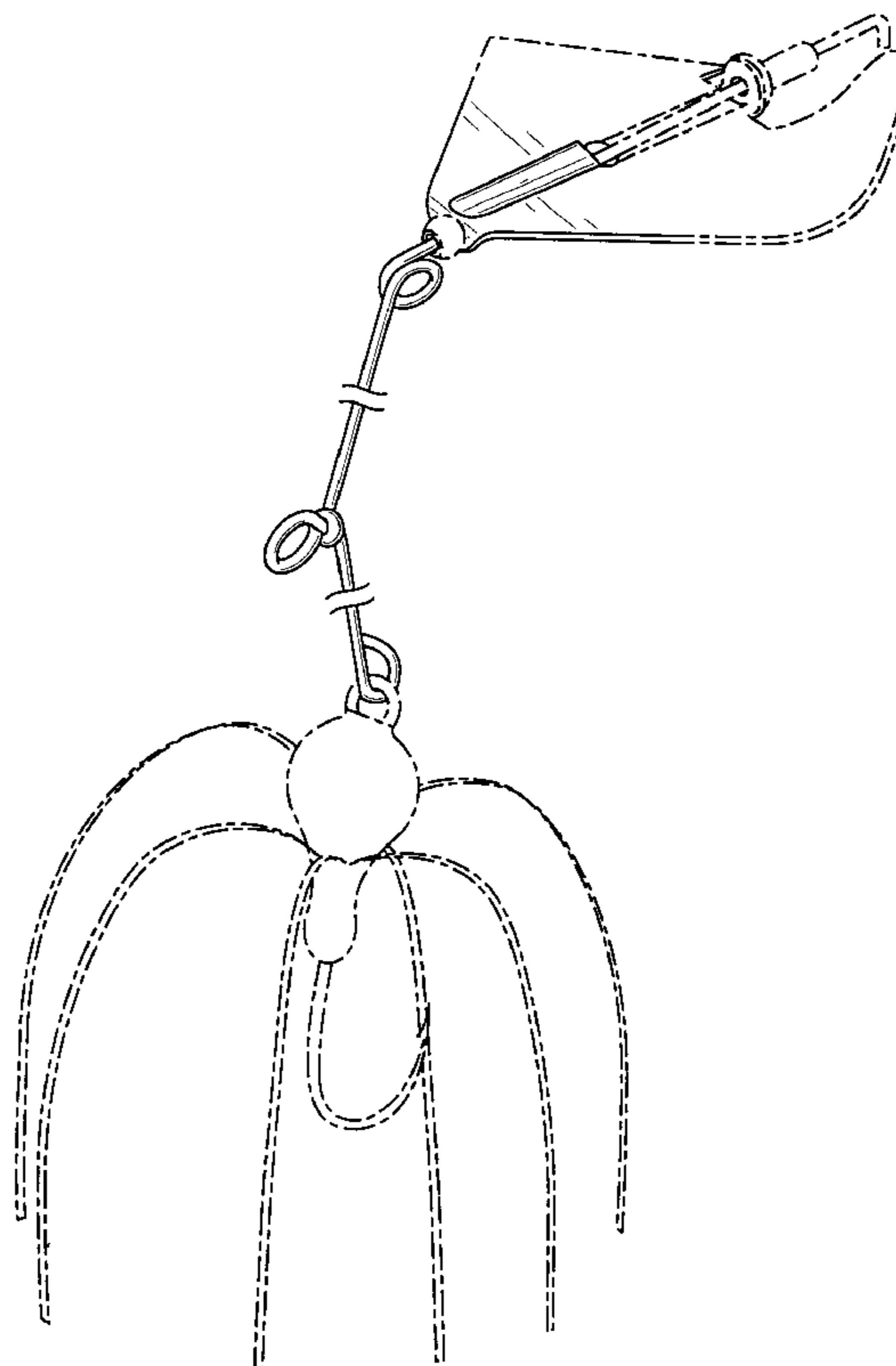
DESCRIPTION

FIG. 1 is a perspective view of an fishing lure wire form. FIG. 2 is a front elevation view of an fishing lure wire form. FIG. 3 is a rear elevation view of an fishing lure wire form. FIG. 4 is a left side view of an fishing lure wire form. FIG. 5 is a right side view of an fishing lure wire form. FIG. 6 is a top plan view of an fishing lure wire form; and, FIG. 7 is a bottom plan view of an fishing lure wire form.

The arms of the wire form are shown broken away in the figures to indicate variable length.

The broken line showing of environment in the drawings is for illustrative purposes only and forms no part of the claimed design.

1 Claim, 7 Drawing Sheets



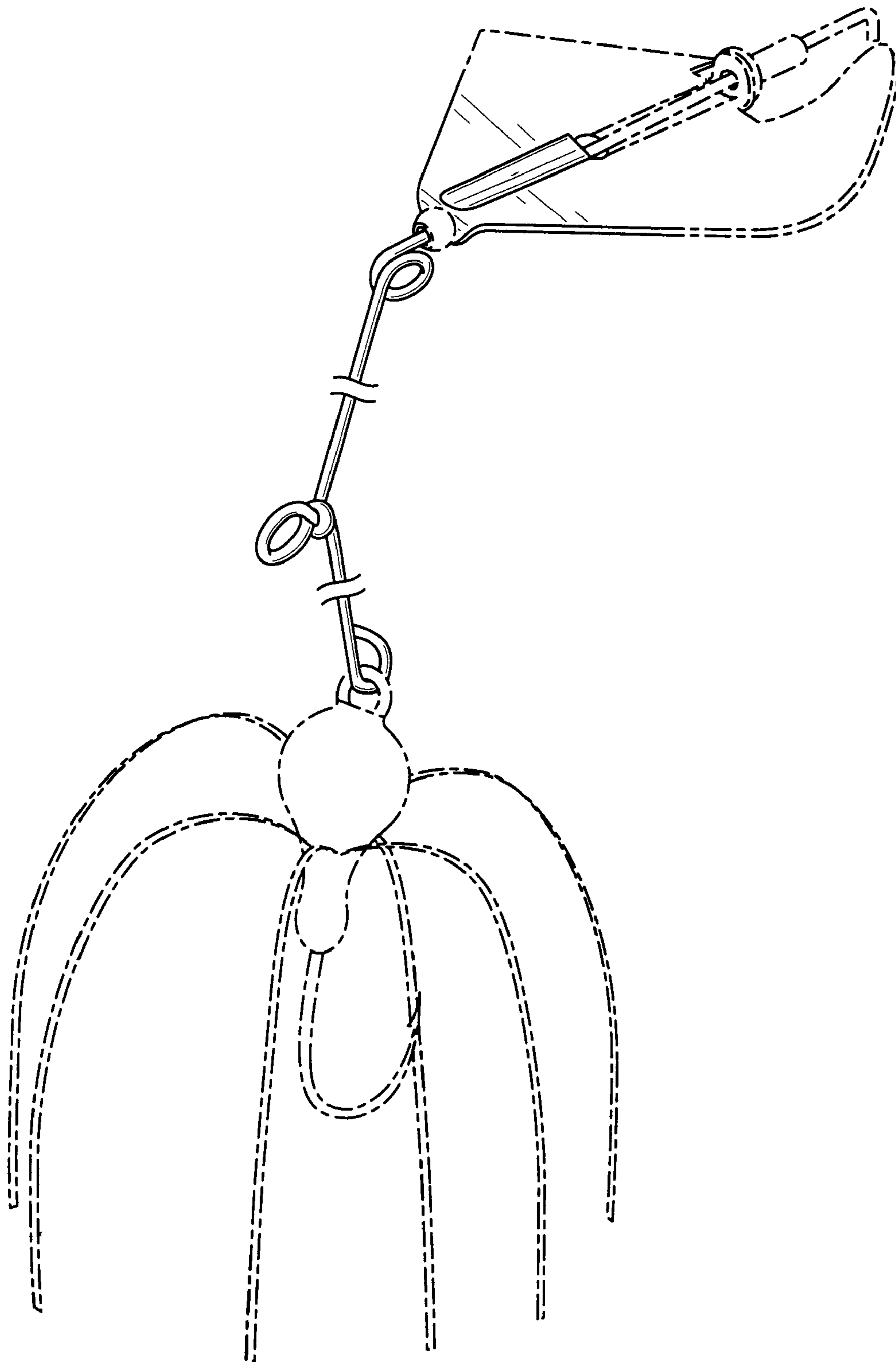


FIG. 1

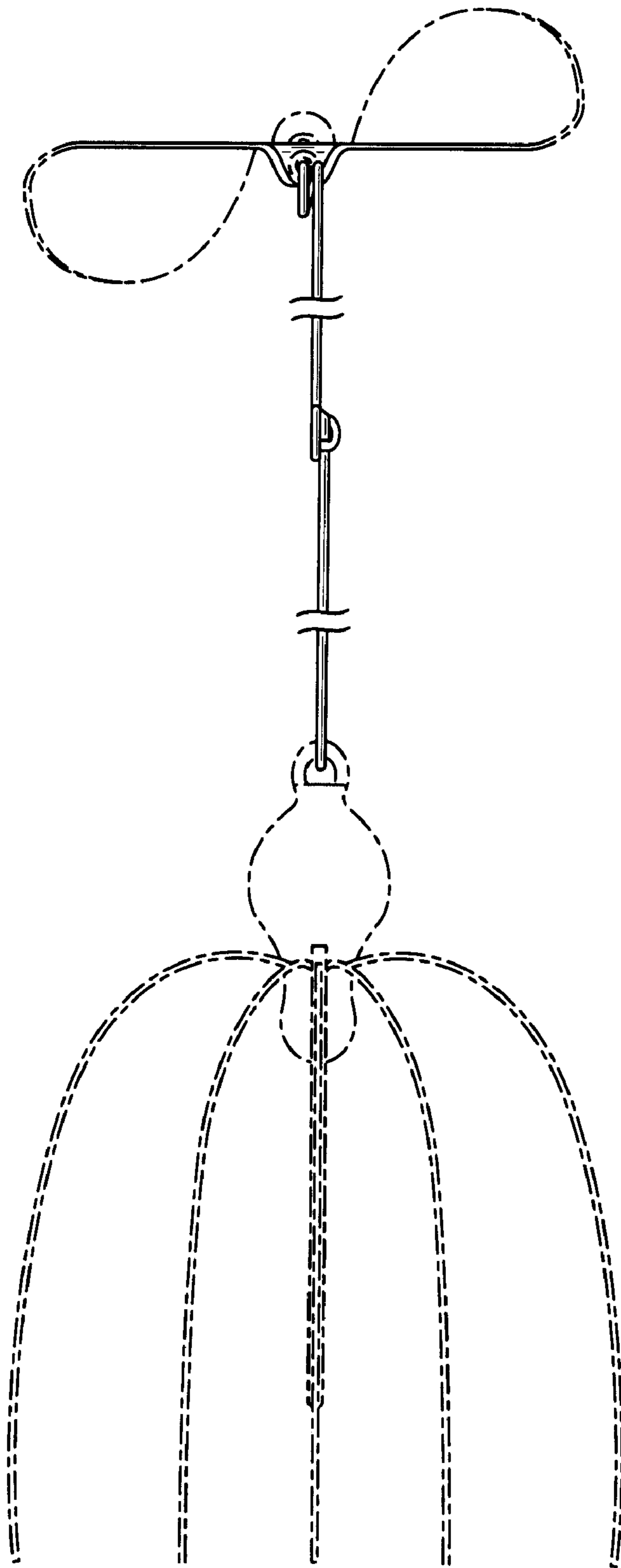


FIG. 2

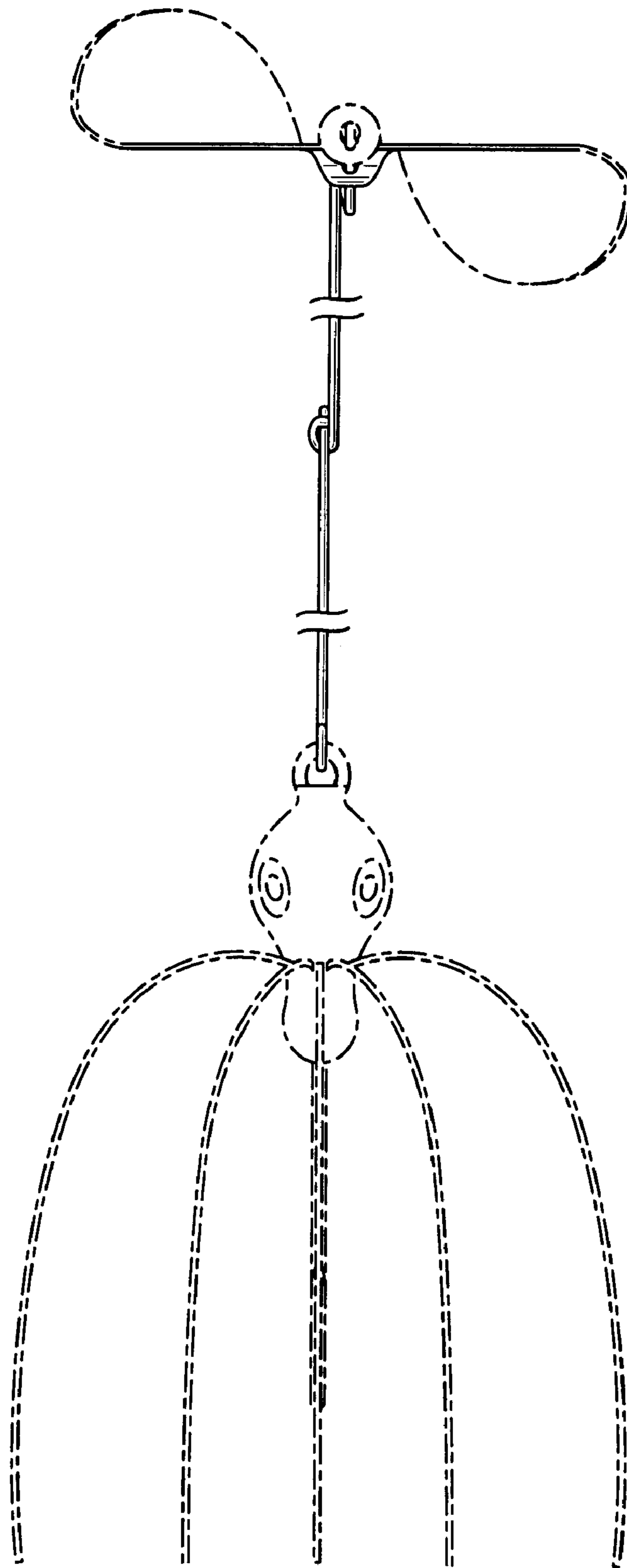


FIG. 3

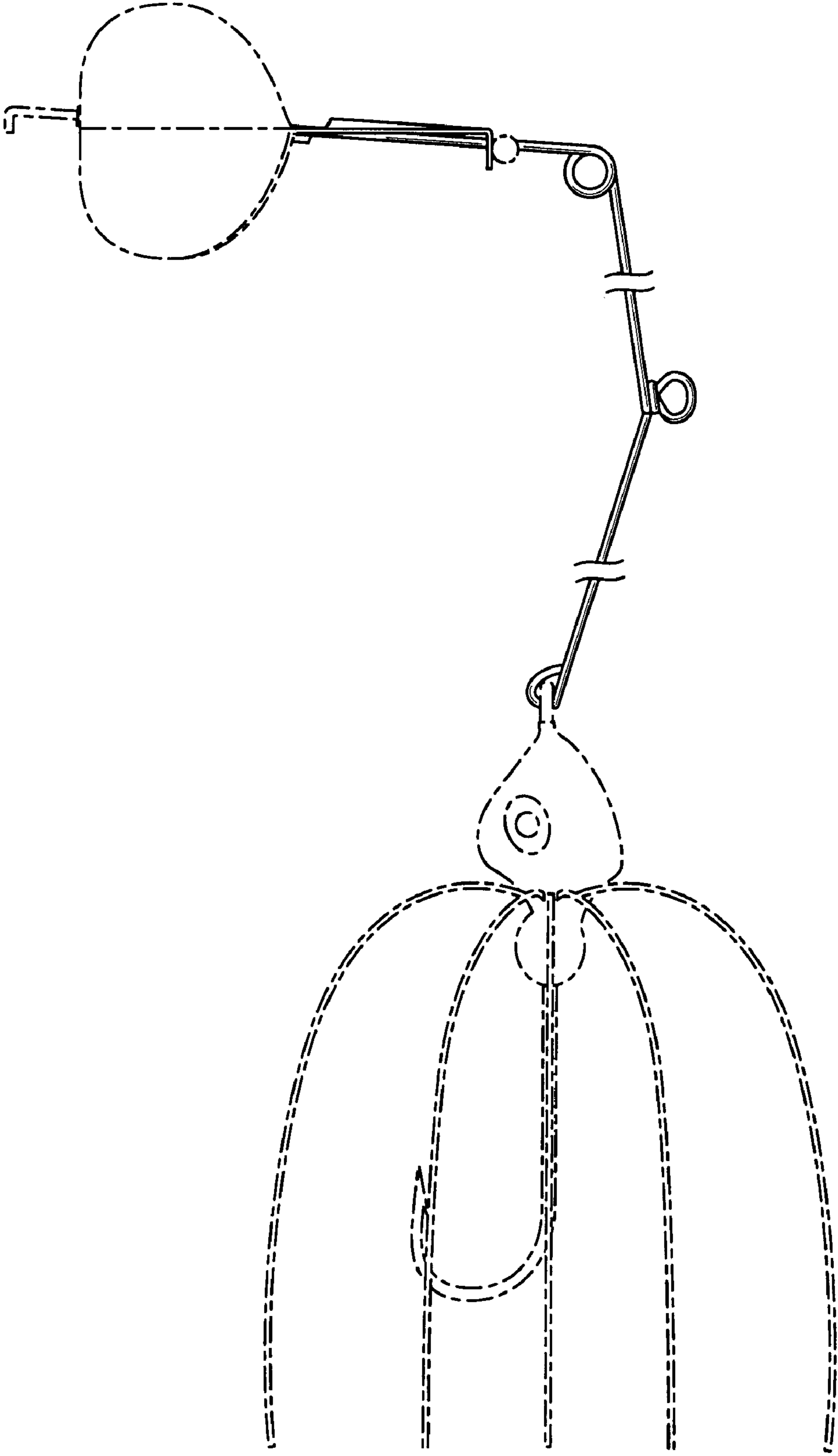


FIG. 4

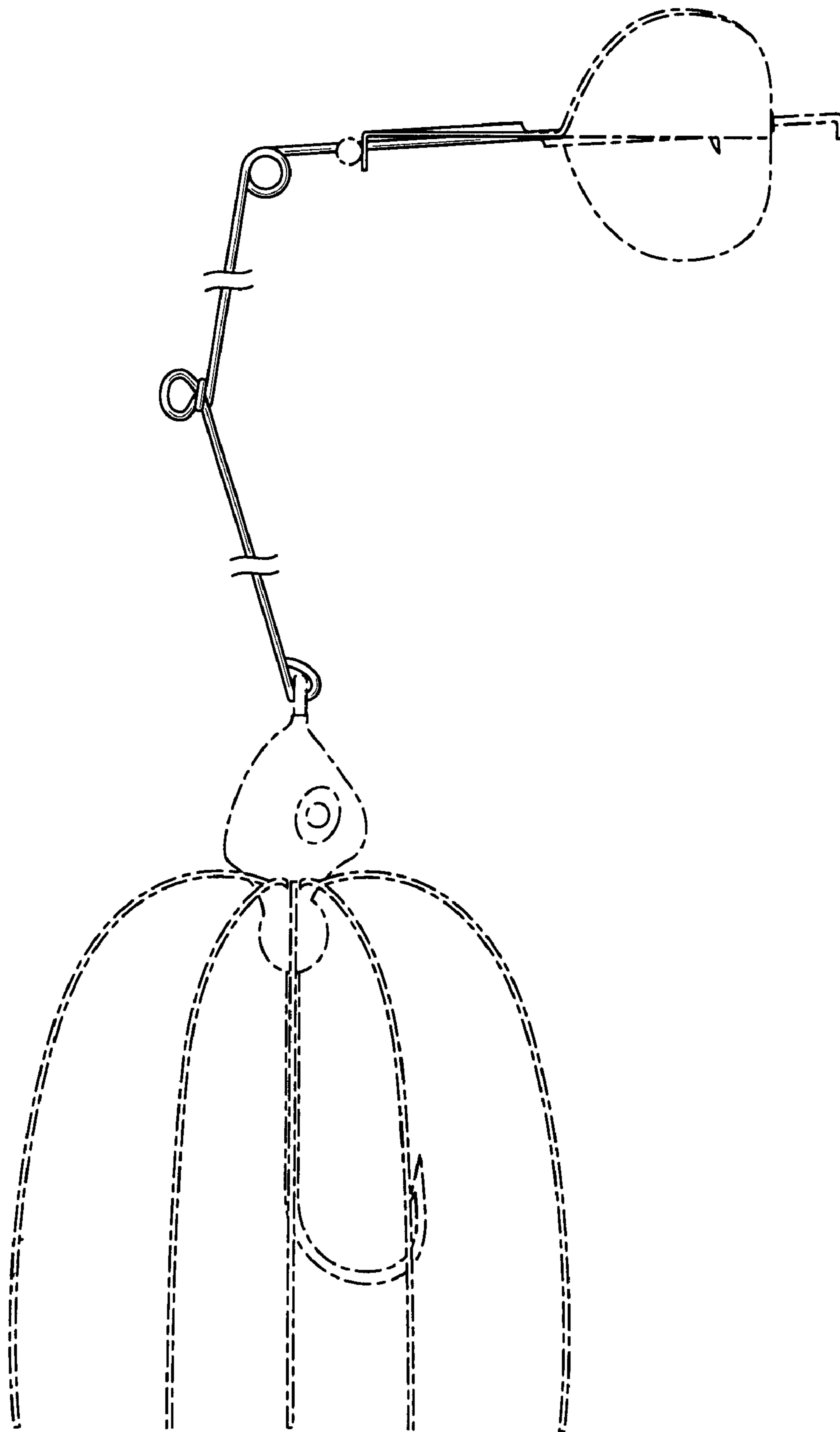


FIG. 5

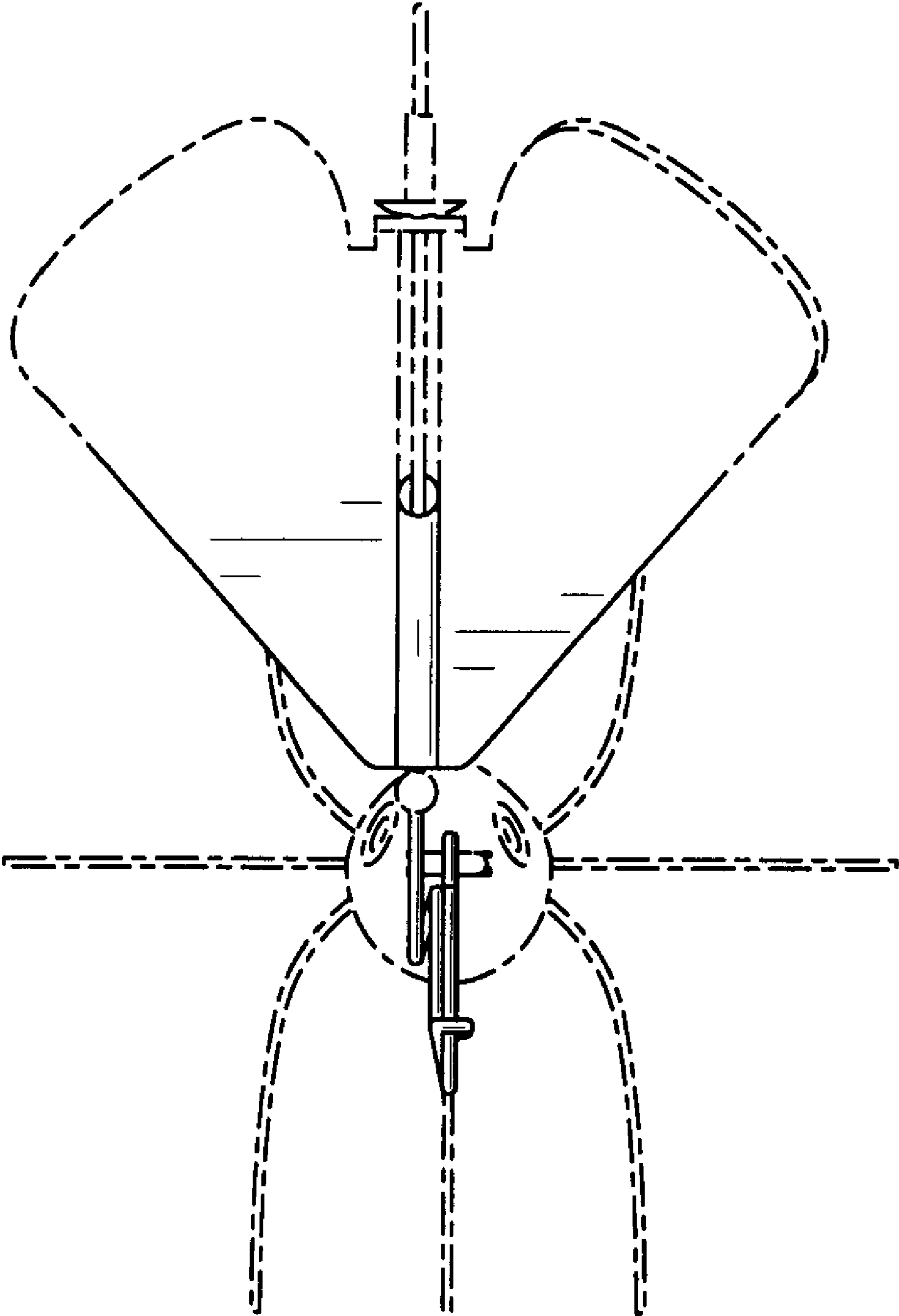


FIG. 6

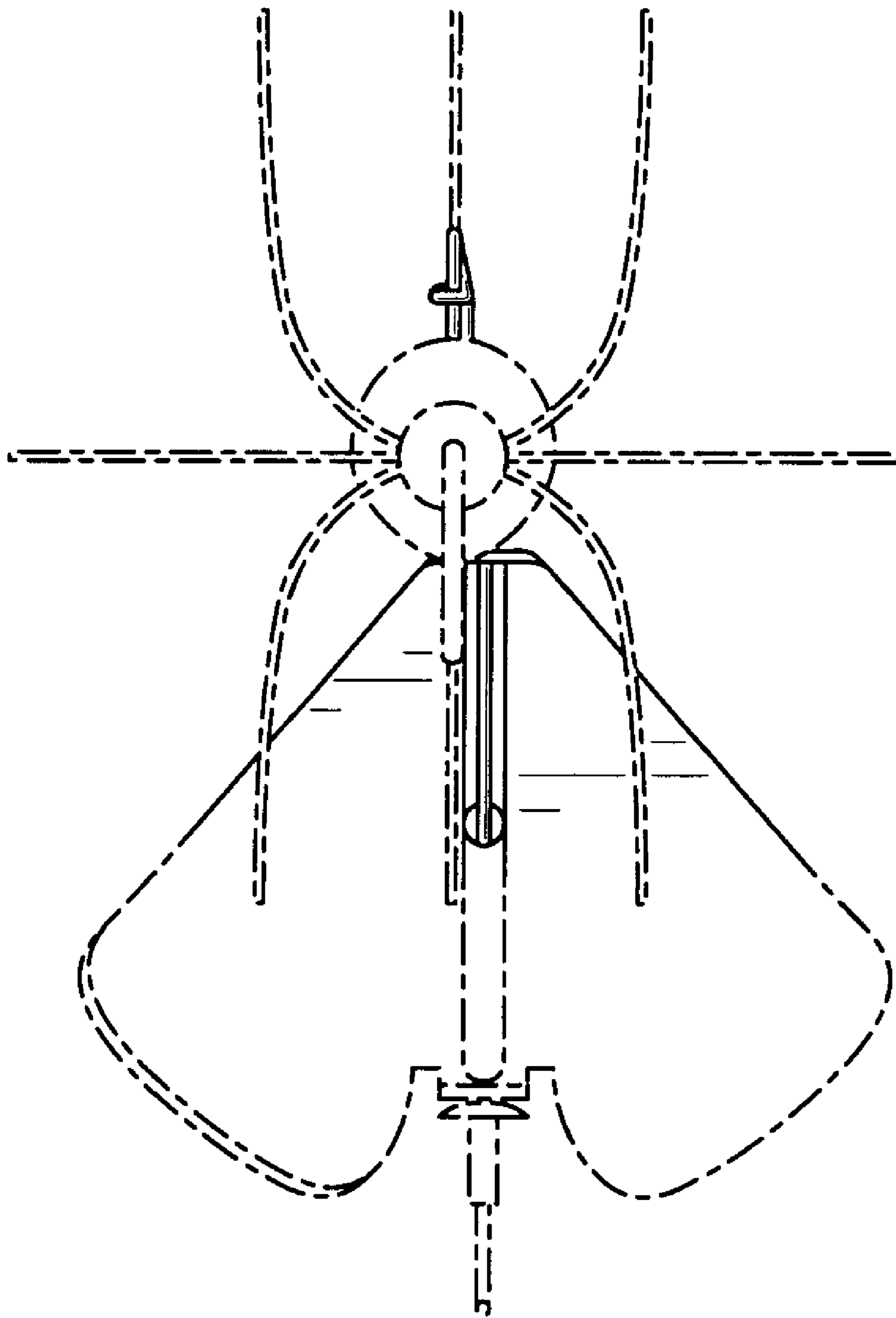


FIG. 7