



US00D550320S

(12) **United States Design Patent**
Nye

(10) **Patent No.:** **US D550,320 S**

(45) **Date of Patent:** **** Sep. 4, 2007**

(54) **METAL TUBING**

D536,407 S * 2/2007 Nye et al. D21/818
D536,408 S * 2/2007 Nye et al. D21/818

(75) Inventor: **Stephen F. Nye**, Syracuse, UT (US)

* cited by examiner

(73) Assignee: **Performance Design**, Clearfield, UT (US)

Primary Examiner—Mitchell Siegel

(74) *Attorney, Agent, or Firm*—Workman Nydegger

(**) Term: **14 Years**

(57) **CLAIM**

(21) Appl. No.: **29/253,602**

The ornamental design for metal tubing, as shown and described.

(22) Filed: **Feb. 9, 2006**

(51) **LOC (8) Cl.** **21-03**

(52) **U.S. Cl.** **D21/811**

(58) **Field of Classification Search** D21/811,
D21/814, 818-827; D25/38, 122; 482/35,
482/36

See application file for complete search history.

DESCRIPTION

FIG. 1 is a perspective view of the metal tubing, which may be sized and configured for use with playground equipment;

FIG. 2 is a front view of the metal tubing, with the rear view being a mirror image thereof;

FIG. 3 is a top view of the metal tubing;

FIG. 4 is a bottom view of the metal tubing; and,

FIG. 5 is an end view of the metal tubing.

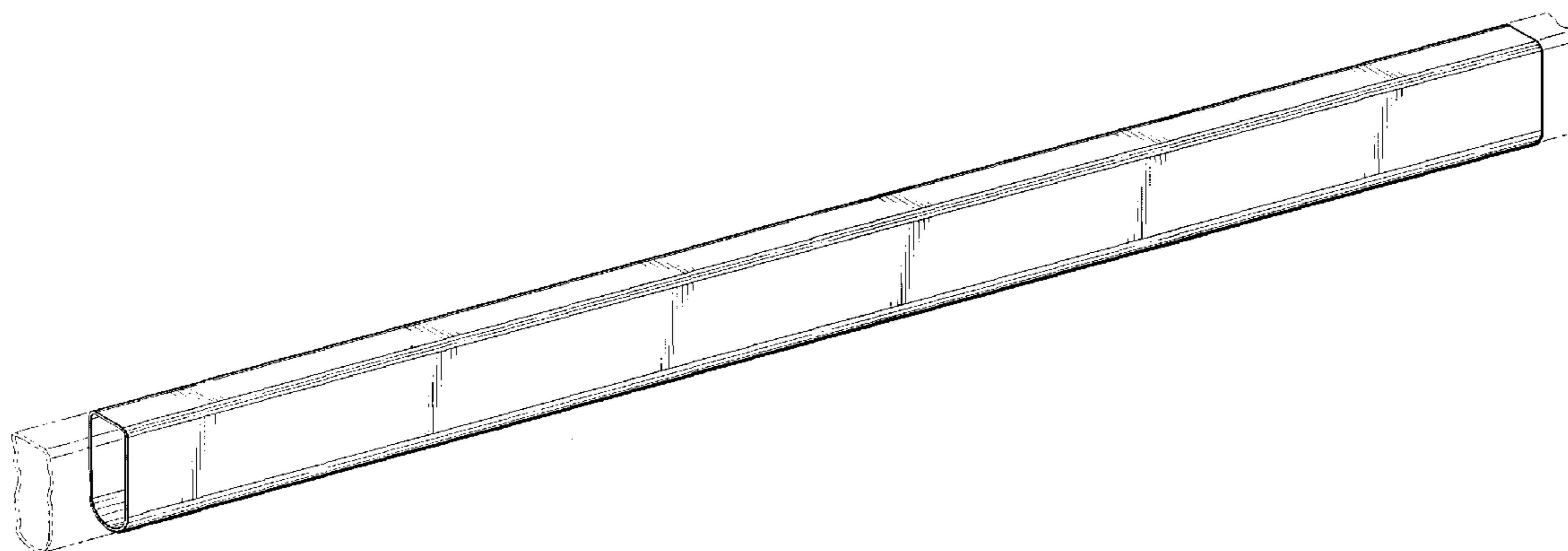
The broken lines shown in the figures are for illustrative purposes only and illustrate that the metal tubing may have any desired length.

(56) **References Cited**

U.S. PATENT DOCUMENTS

D233,033 S *	10/1974	Donne	D25/122
D379,486 S *	5/1997	Mariol	D21/814
D472,326 S *	3/2003	Hughes et al.	D25/38
D487,158 S *	2/2004	Forbis	D25/122
D534,984 S *	1/2007	Nye et al.	D21/818
D536,406 S *	2/2007	Nye et al.	D21/818

1 Claim, 1 Drawing Sheet



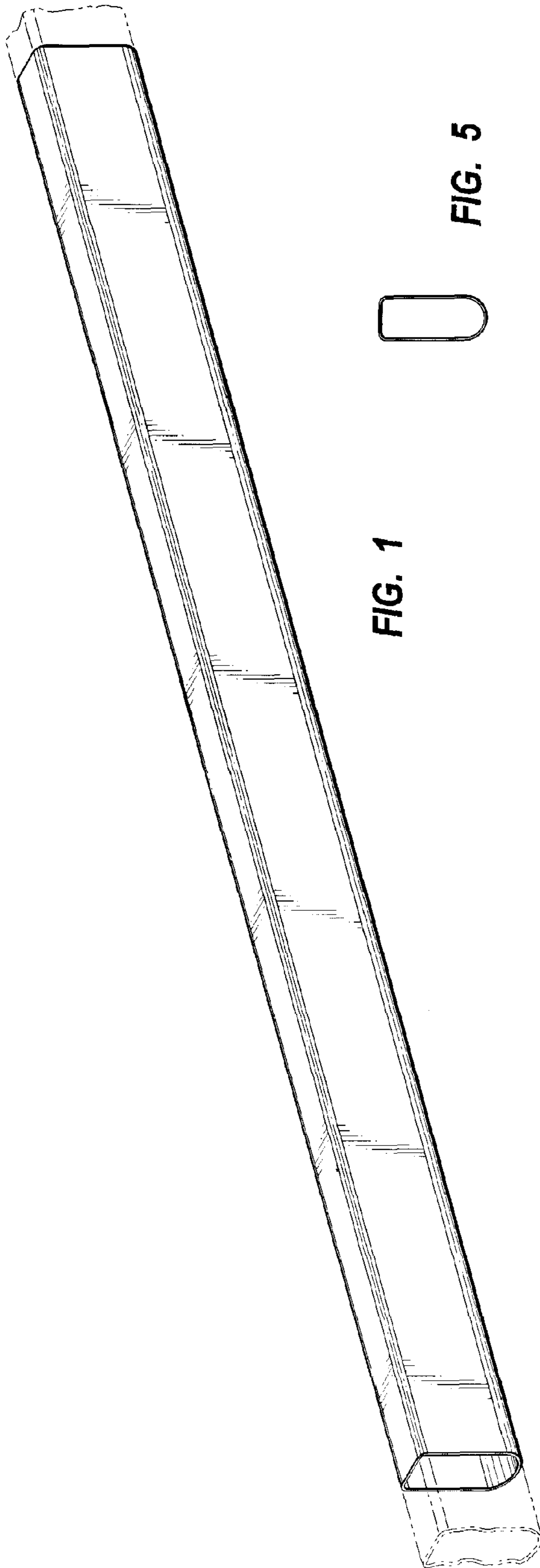


FIG. 1



FIG. 5

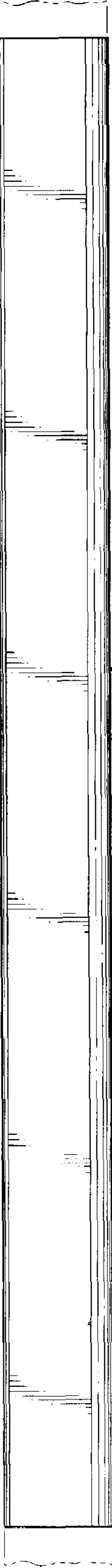


FIG. 2



FIG. 3



FIG. 4