



US00D550319S

(12) **United States Design Patent** (10) **Patent No.:** **US D550,319 S**
Peterson (45) **Date of Patent:** **** Sep. 4, 2007**

(54) **GOLF ALIGNMENT TRAINING GUIDE**

(57) **CLAIM**

(76) **Inventor:** **Burdette Peterson**, 6700 150th Ave.
North, Lot 826, Clearwater, FL (US)
33764

The ornamental design for a golf alignment training guide,
as shown and described.

(**) **Term:** **14 Years**

DESCRIPTION

(21) **Appl. No.:** **29/260,862**

(22) **Filed:** **Jun. 5, 2006**

(51) **LOC (8) Cl.** **21-02**

(52) **U.S. Cl.** **D21/791**

(58) **Field of Classification Search** D21/789-792;
473/251, 252, 219, 473, 150, 257, 265
See application file for complete search history.

FIG. 1 is a perspective view of a golf alignment training guide, in accordance with the ornamental design, illustrated showing golf tees, ball and golf club in phantom as would be seen in actual use;

FIG. 2 is a top exterior perspective view thereof;

FIG. 3 is a top view thereof;

FIG. 4 is a bottom view thereof;

FIG. 5 is a first side view thereof;

FIG. 6 is a second side view thereof;

FIG. 7 is a front view thereof; and,

FIG. 8 is a rear view thereof.

(56) **References Cited**

U.S. PATENT DOCUMENTS

D504,484 S * 4/2005 Loudon D21/791
D534,233 S * 12/2006 Bullock D21/792
D535,716 S * 1/2007 Officer D21/791

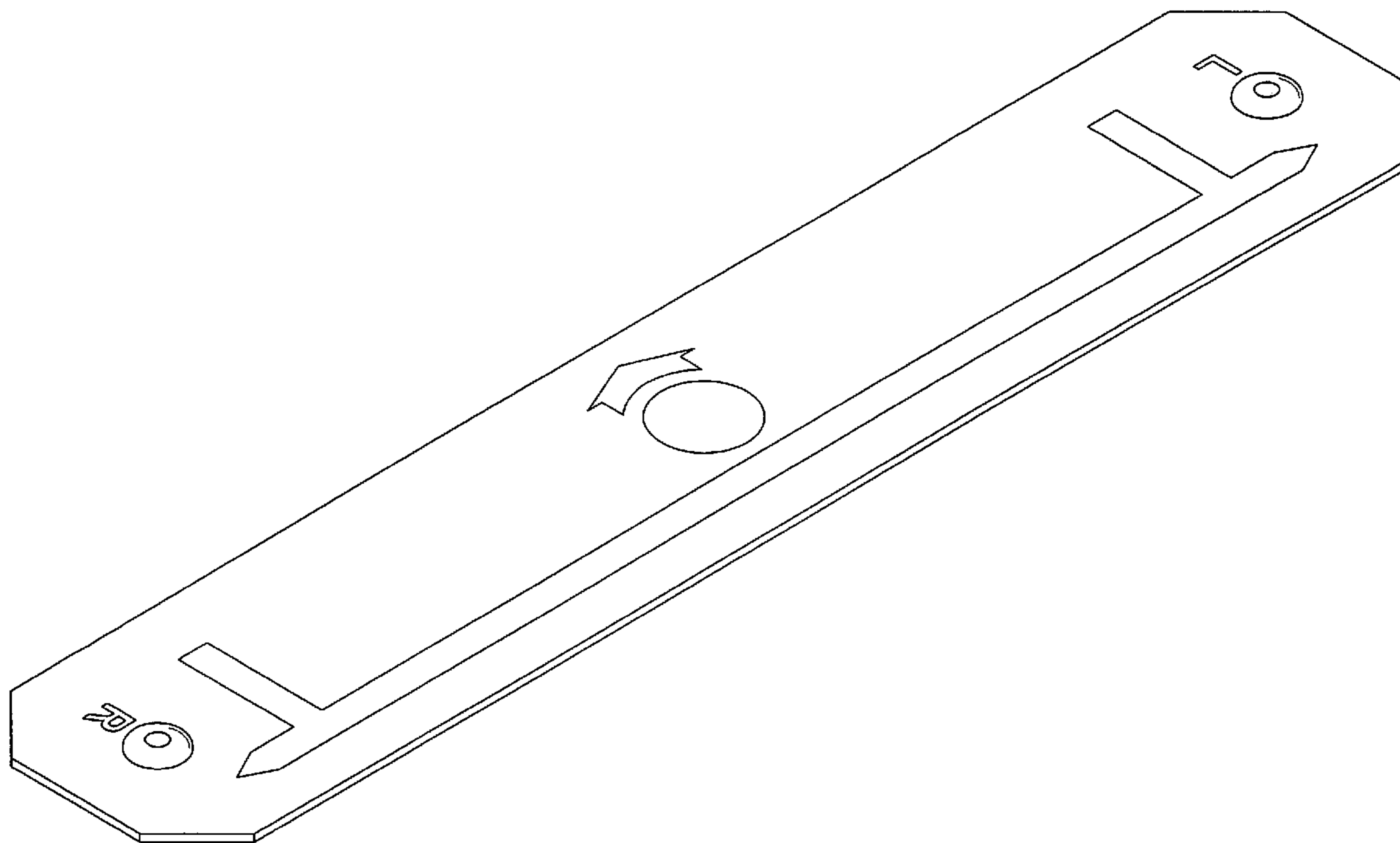
The broken lines showing of the tee and golf ball, the golf club, and the tee holding and pivoting the guide into the ground are for illustrative purposes only and forms no part of the claimed design.

* cited by examiner

Primary Examiner—Mitchell Siegel

(74) *Attorney, Agent, or Firm*—Stanley M. Miller

1 Claim, 5 Drawing Sheets



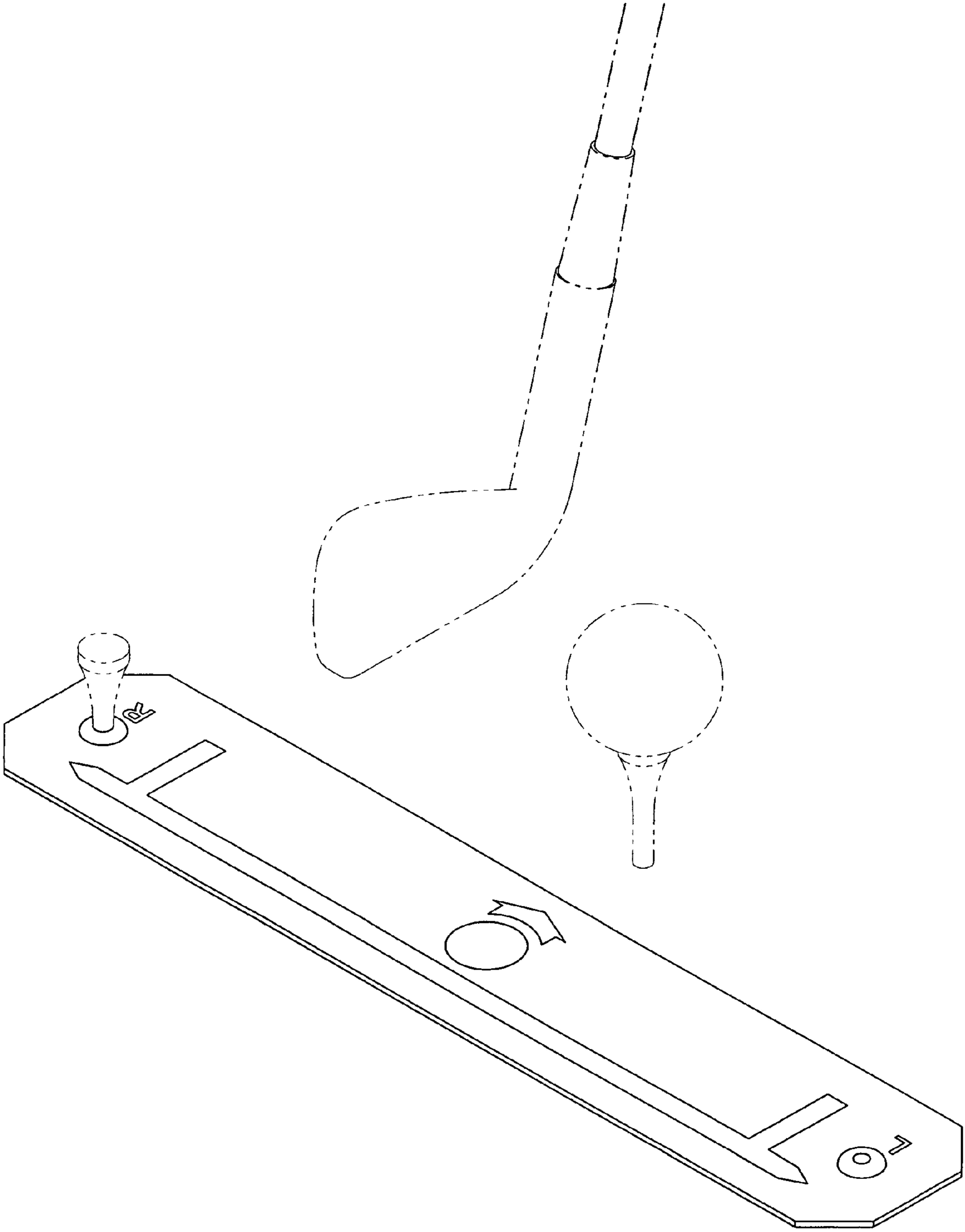


FIG. 1

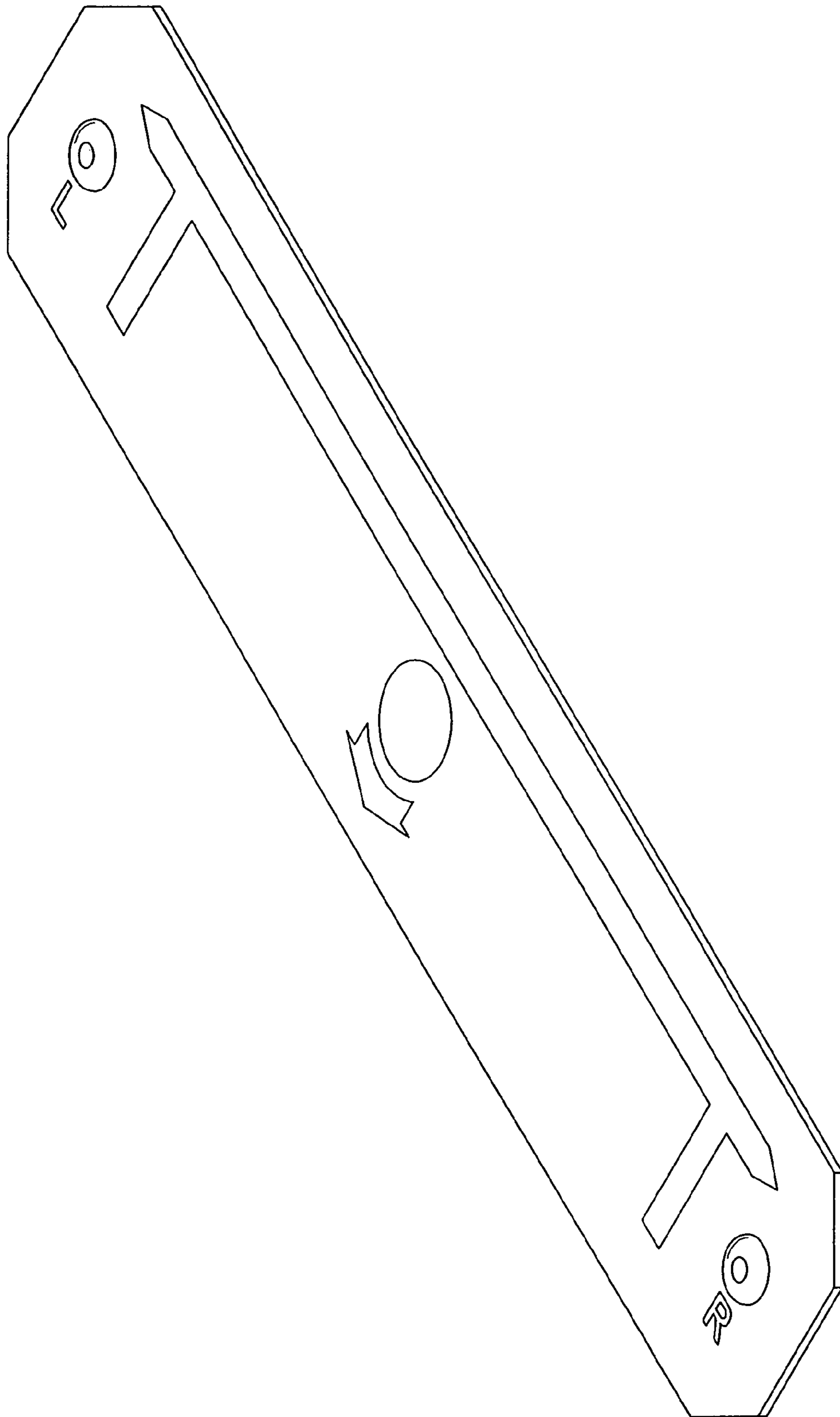


FIG. 2

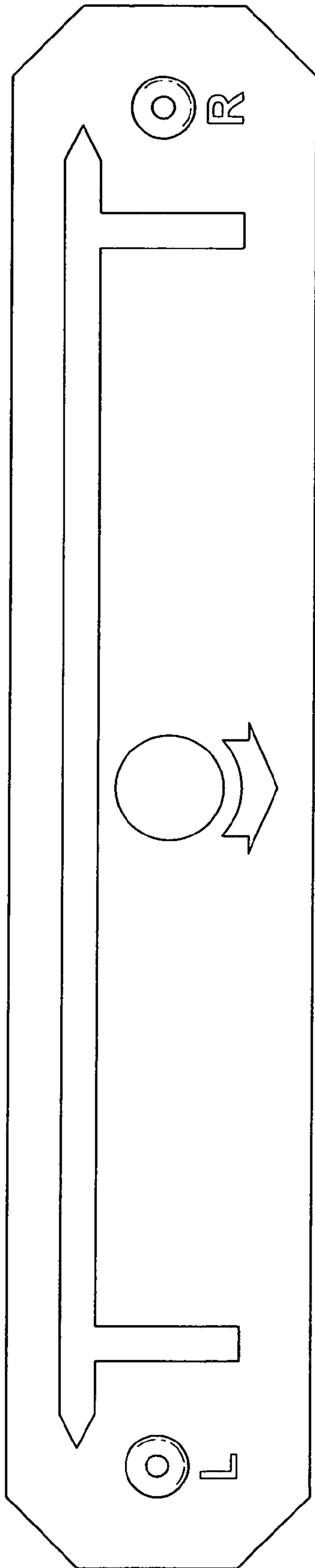


FIG. 3

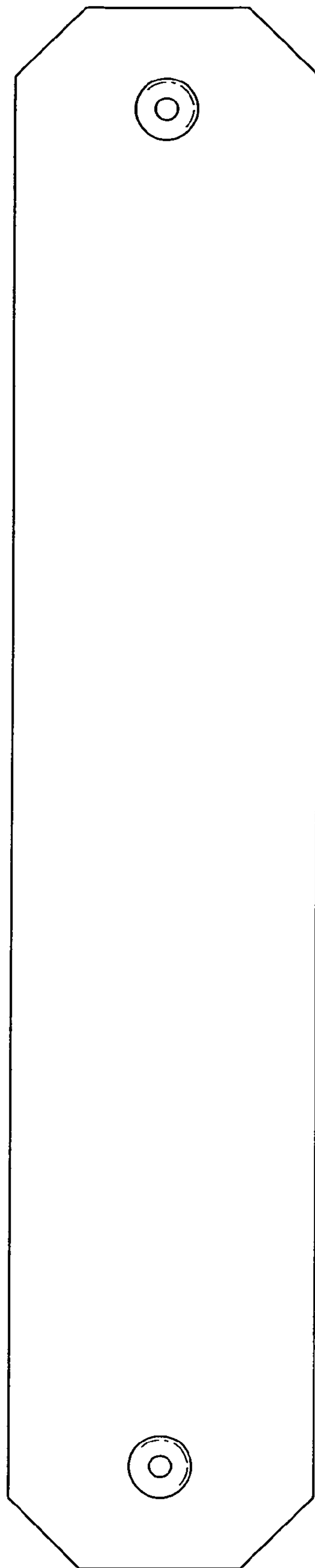


FIG. 4



FIG. 5



FIG. 6

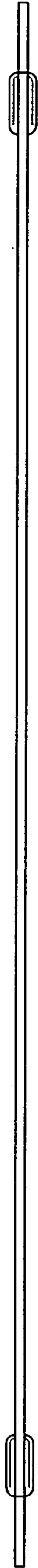


FIG. 7



FIG. 8