



US00D550316S

(12) **United States Design Patent**
Nagai et al.

(10) **Patent No.:** **US D550,316 S**
(45) **Date of Patent:** **** Sep. 4, 2007**

(54) **RECESSED BACK PORTION OF A GOLF IRON**

Primary Examiner—Mitchell Siegel
(74) *Attorney, Agent, or Firm*—Troutman Sanders LLP;
James E. Schutz

(75) Inventors: **Masao Nagai**, Suwanee, GA (US);
David Llewellyn, Duluth, GA (US)

(73) Assignee: **Mizuno USA**, Norcross, GA (US)

(57) **CLAIM**

(**) Term: **14 Years**

The ornamental design for the recessed back portion of a golf iron, as shown and described.

(21) Appl. No.: **29/248,958**

(22) Filed: **Sep. 12, 2006**

DESCRIPTION

(51) **LOC (8) Cl.** **21-02**

FIG. 1 is a perspective view of the new design for the recessed back portion of a golf iron;

(52) **U.S. Cl.** **D21/759**

FIG. 2 is a rear elevational view of the design shown in FIG. 1;

(58) **Field of Classification Search** D21/747–751,
D21/759; 473/324–331, 350
See application file for complete search history.

FIG. 3 is a planar cross-sectional view taken along lines 3–3 in FIG. 2;

(56) **References Cited**

U.S. PATENT DOCUMENTS

D247,918 S *	5/1978	Delano et al.	D21/748
D428,634 S *	7/2000	Nagai et al.	D21/759
D466,961 S *	12/2002	Nagai et al.	D21/759
D484,557 S *	12/2003	Lang et al.	D21/747
D497,963 S *	11/2004	Toulon et al.	D21/747
D539,863 S *	4/2007	Nunez et al.	D21/748

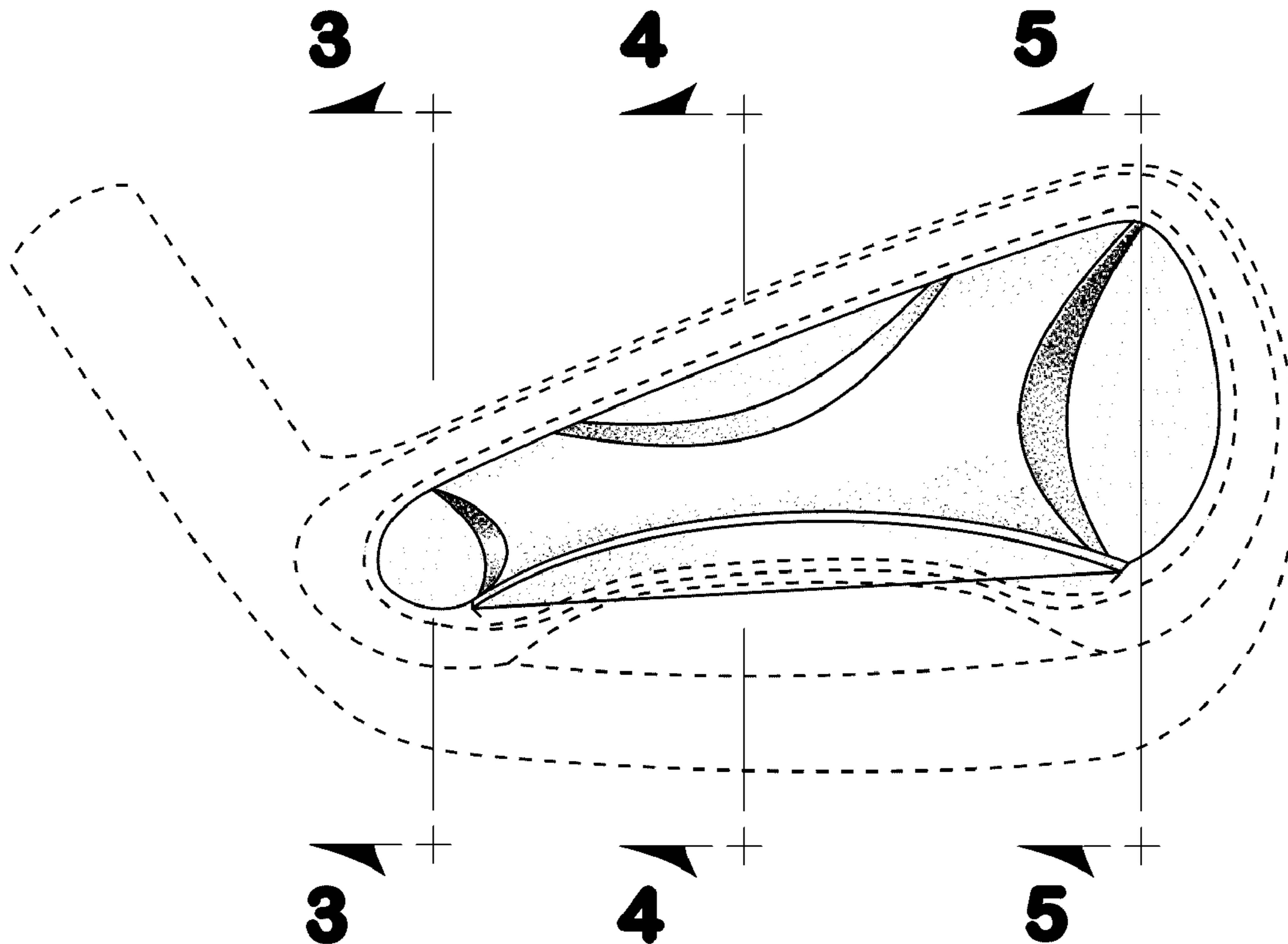
FIG. 4 is a planar cross-sectional view taken along lines 4–4 in FIG. 2; and,

FIG. 5 is a planar cross-sectional view taken along lines 5–5 in FIG. 2.

The broken line showing is included for the purpose of illustrating and forms no part of the claimed design.

* cited by examiner

1 Claim, 2 Drawing Sheets



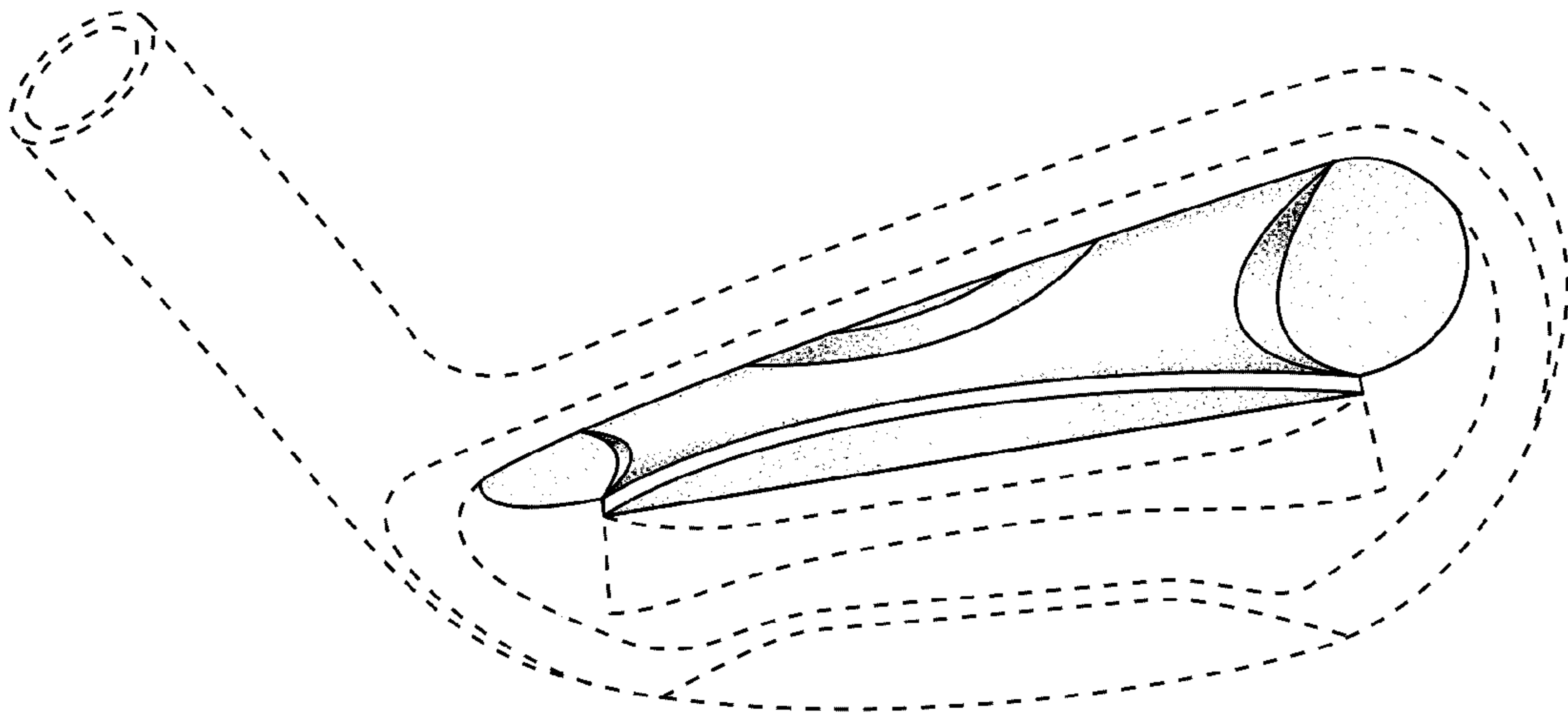


FIG 1

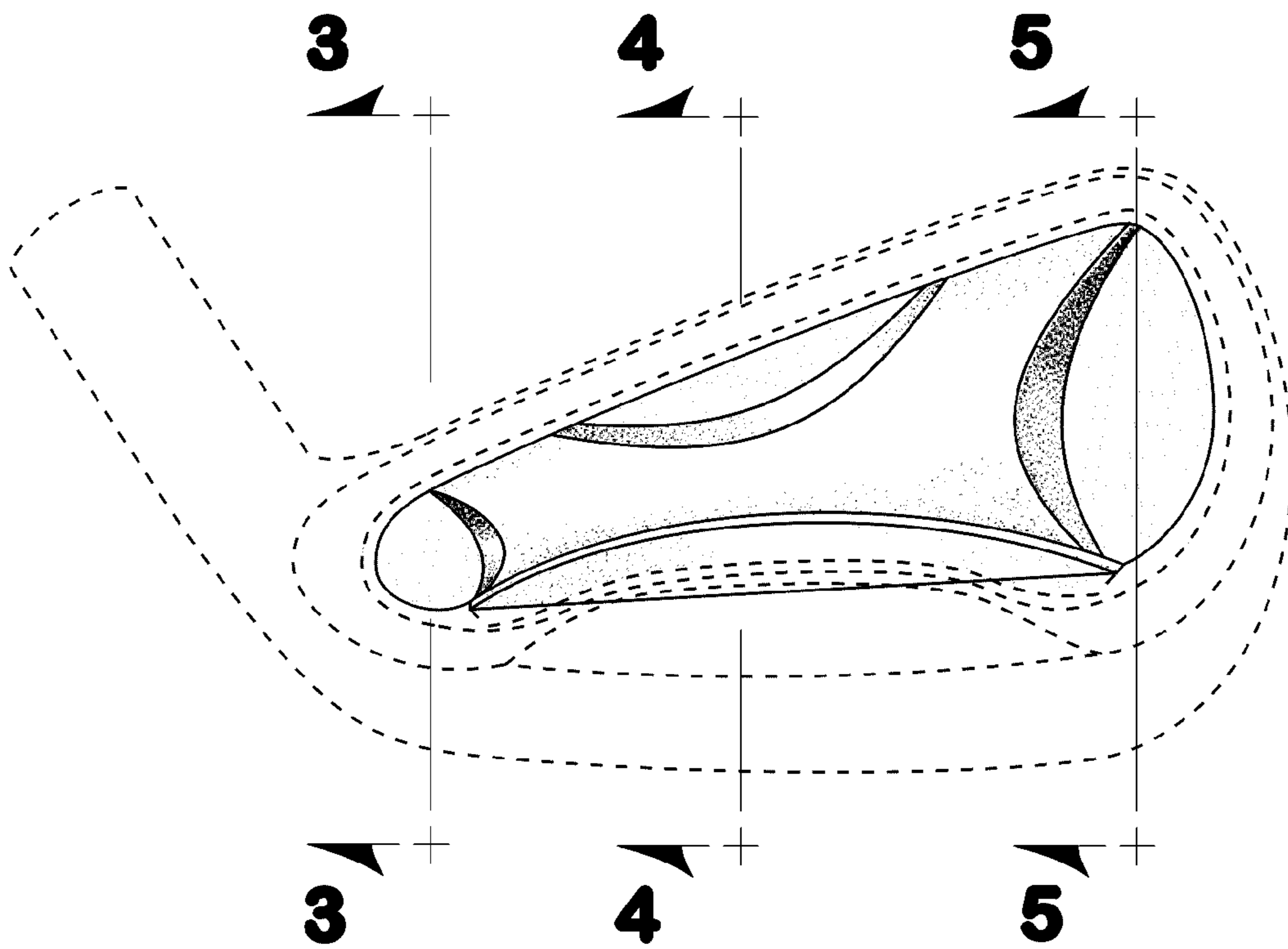


FIG 2

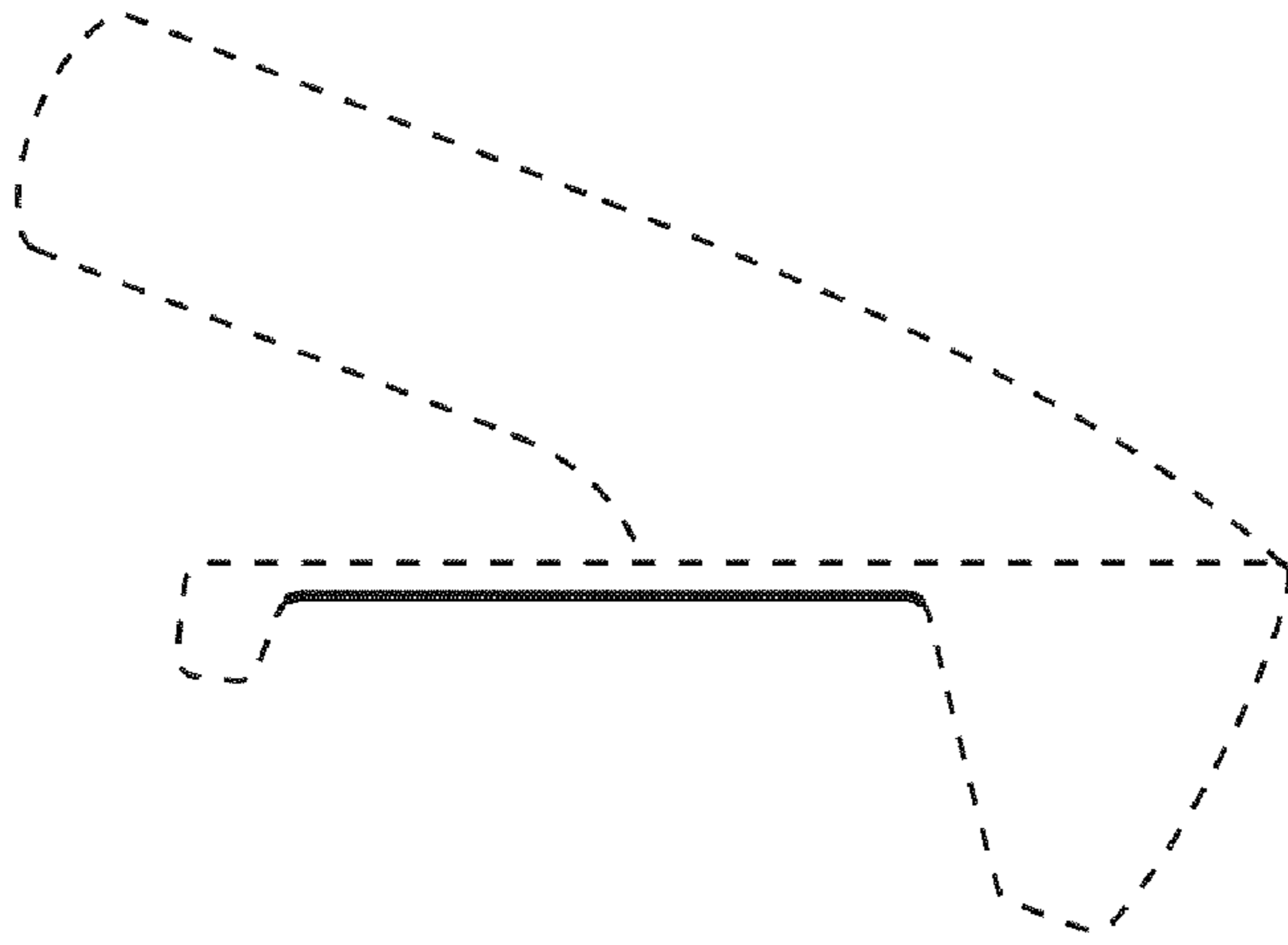


FIG 5

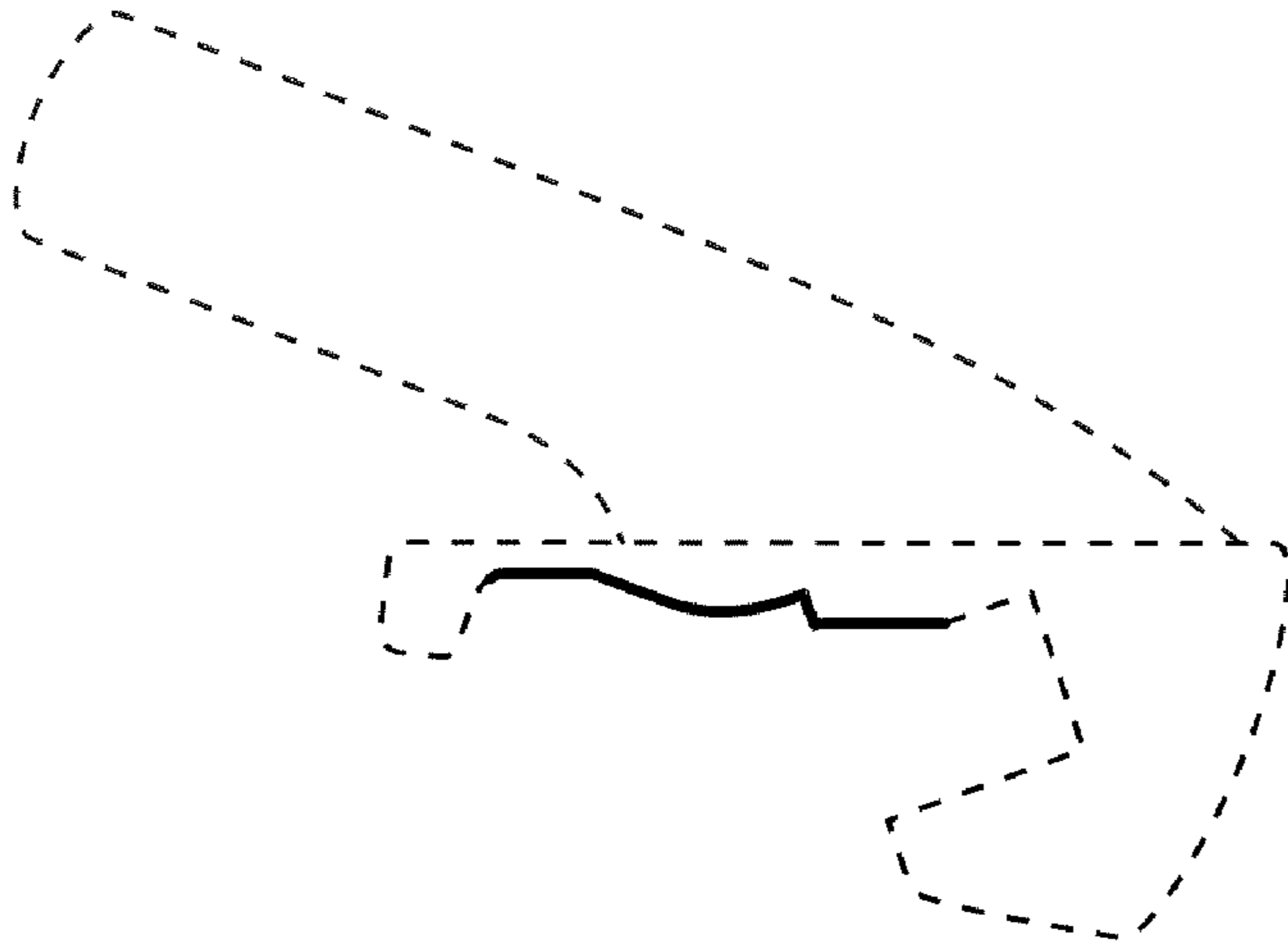


FIG 4

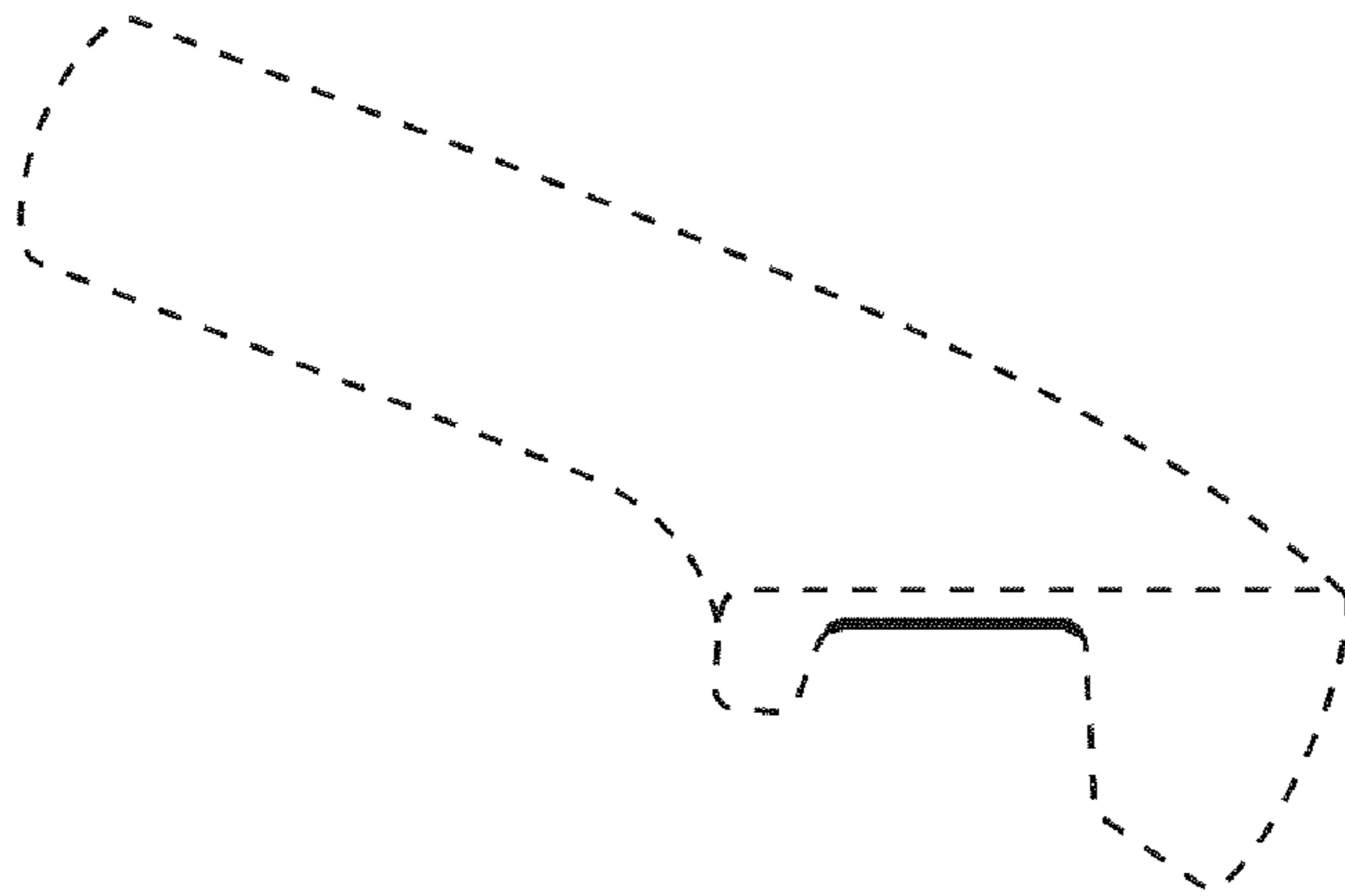


FIG 3