



US00D550314S

(12) **United States Design Patent**
Lauderdale

(10) **Patent No.:** **US D550,314 S**

(45) **Date of Patent:** **** Sep. 4, 2007**

(54) **FOOTBALL**

D497,655 S * 10/2004 Frisina D21/712

(75) Inventor: **Vincent Lauderdale**, 990 Calumet La.,
Apt., Dayton, OH (US) 45427

* cited by examiner

Primary Examiner—Catherine Tuttle

(73) Assignee: **Vincent Lauderdale**, Dayton, OH (US)

(74) *Attorney, Agent, or Firm*—R. William Graham

(**) Term: **14 Years**

(57) **CLAIM**

(21) Appl. No.: **29/250,939**

The ornamental design for a football, as shown and described.

(22) Filed: **Dec. 6, 2006**

(51) **LOC (8) Cl.** **21-02**

(52) **U.S. Cl.** **D21/712**

(58) **Field of Classification Search** D21/707-714;
473/569-614

See application file for complete search history.

DESCRIPTION

FIG. 1 is a perspective view of a football showing my new design;

FIG. 2 is a side view of the football shown in FIG. 1;

FIG. 3 is a view of the side opposite FIG. 2;

FIG. 4 is the bottom view of the football shown in FIG. 1;

FIG. 5 is the top view of the football shown in FIG. 1;

FIG. 6 is an end view of the football shown in FIG. 1; and,

FIG. 7 is a view of the end opposite FIG. 6.

The broken lines showing portions of the football or its environment in FIGS. 1-3 and 5-7 are for illustrative purposes only and form no part of the claimed design.

(56) **References Cited**

U.S. PATENT DOCUMENTS

2,244,503	A	6/1941	Riddell	
2,270,553	A	1/1942	Potito	
3,708,170	A	1/1973	Presnell	
4,350,338	A	9/1982	May	
5,577,724	A	11/1996	Gandolfo	
5,588,647	A *	12/1996	Rudell et al.	473/470
D401,293	S *	11/1998	Alarid, Jr.	D21/712
5,941,785	A	8/1999	Bartels	

1 Claim, 4 Drawing Sheets

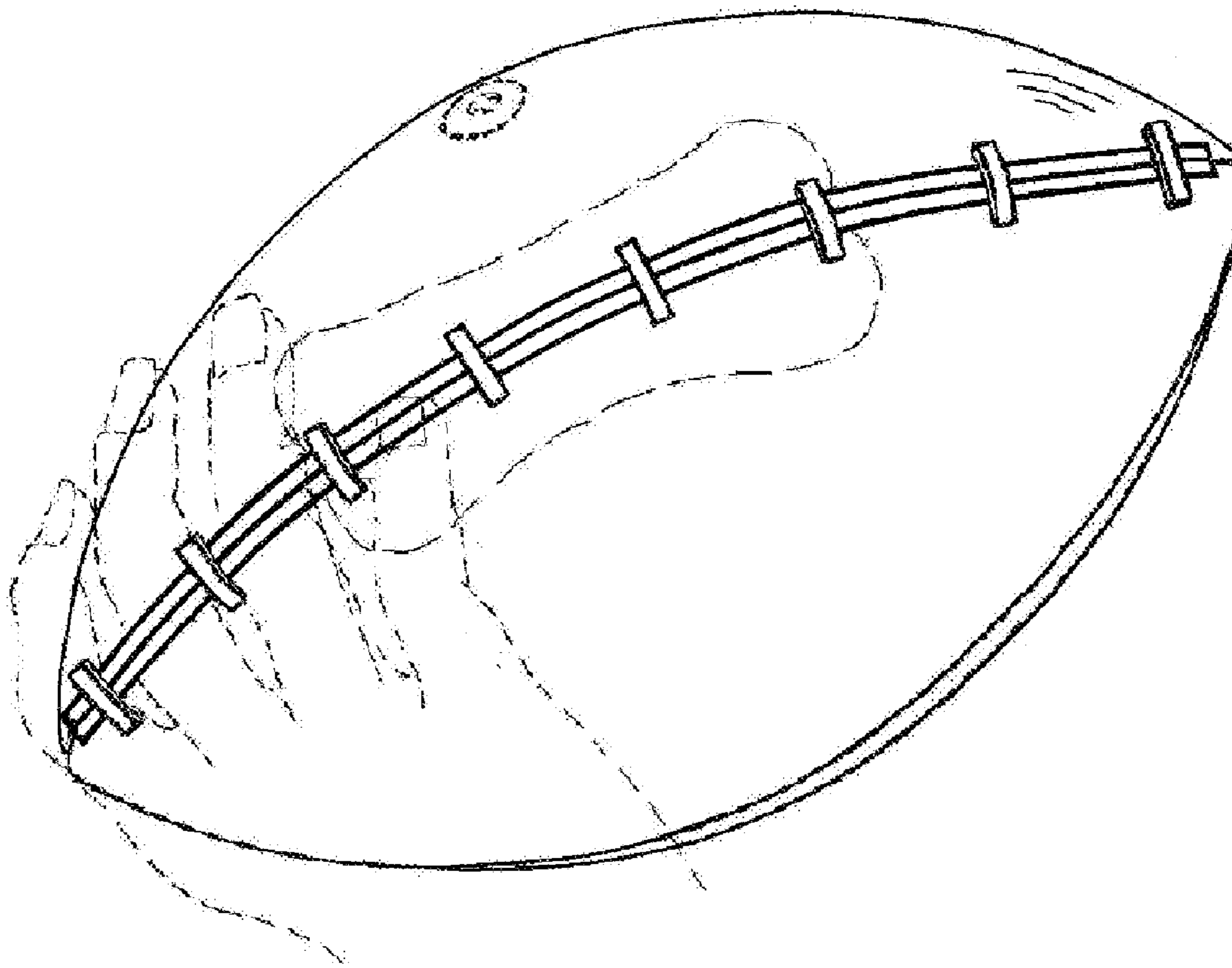
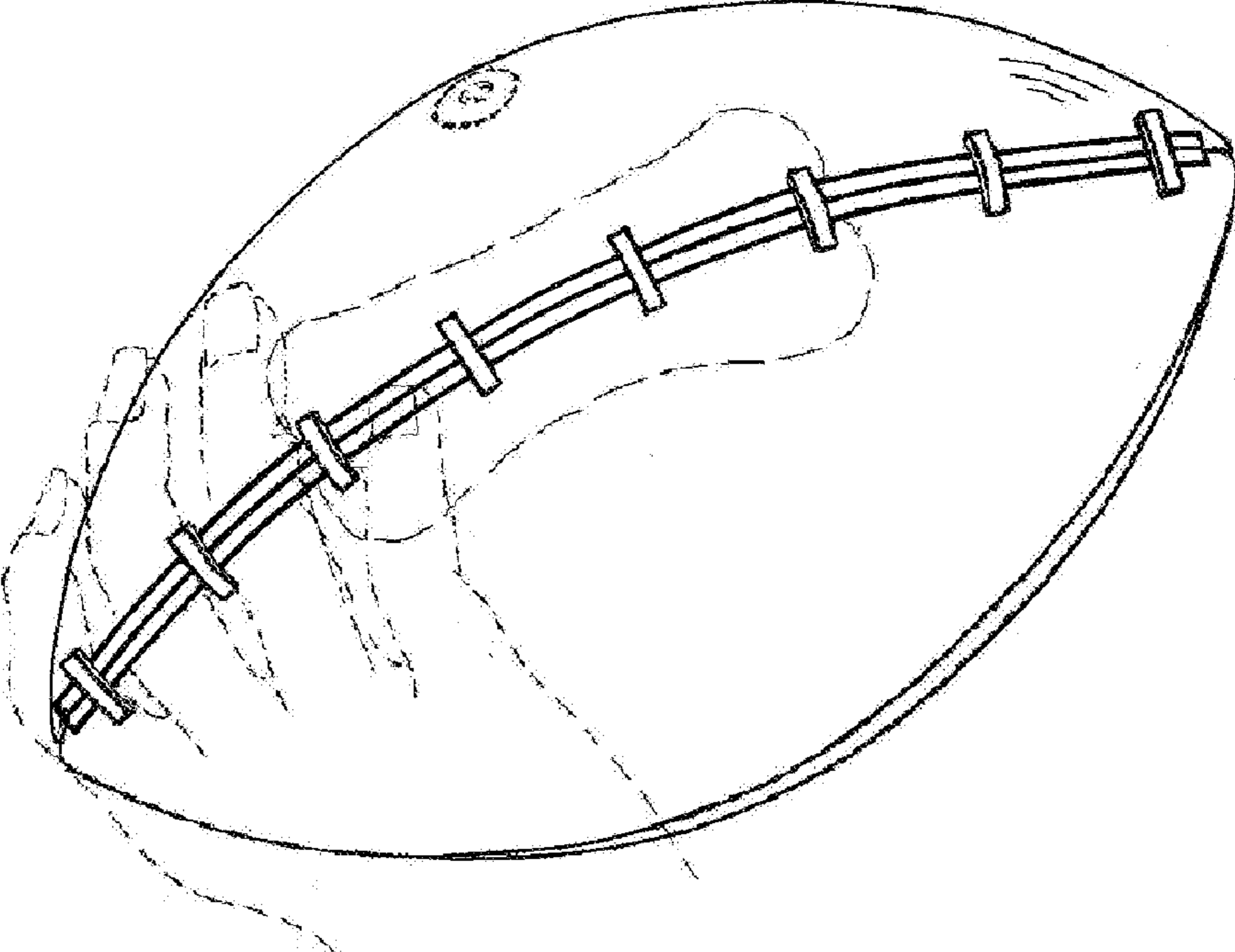


FIG. 1



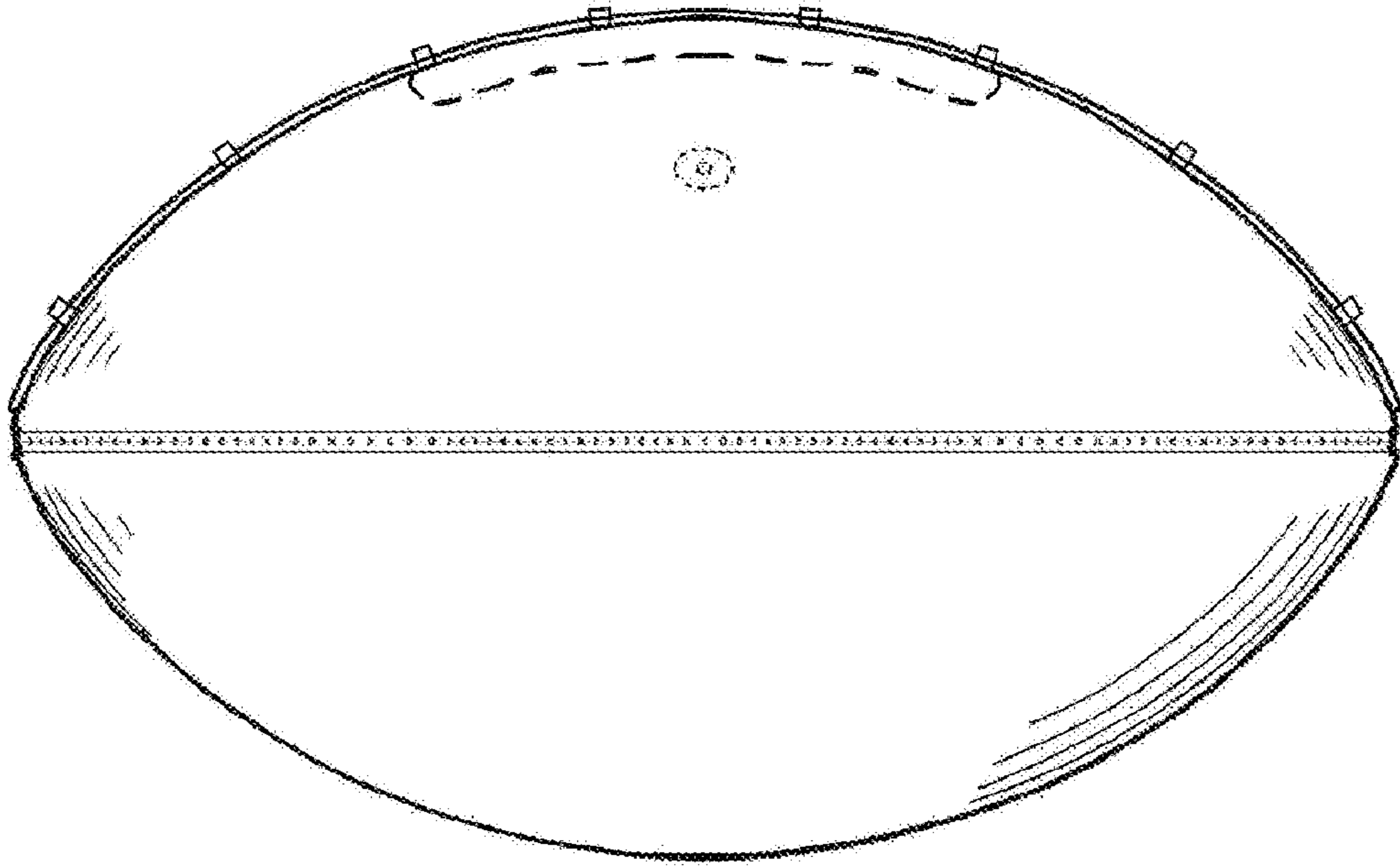


FIG. 2

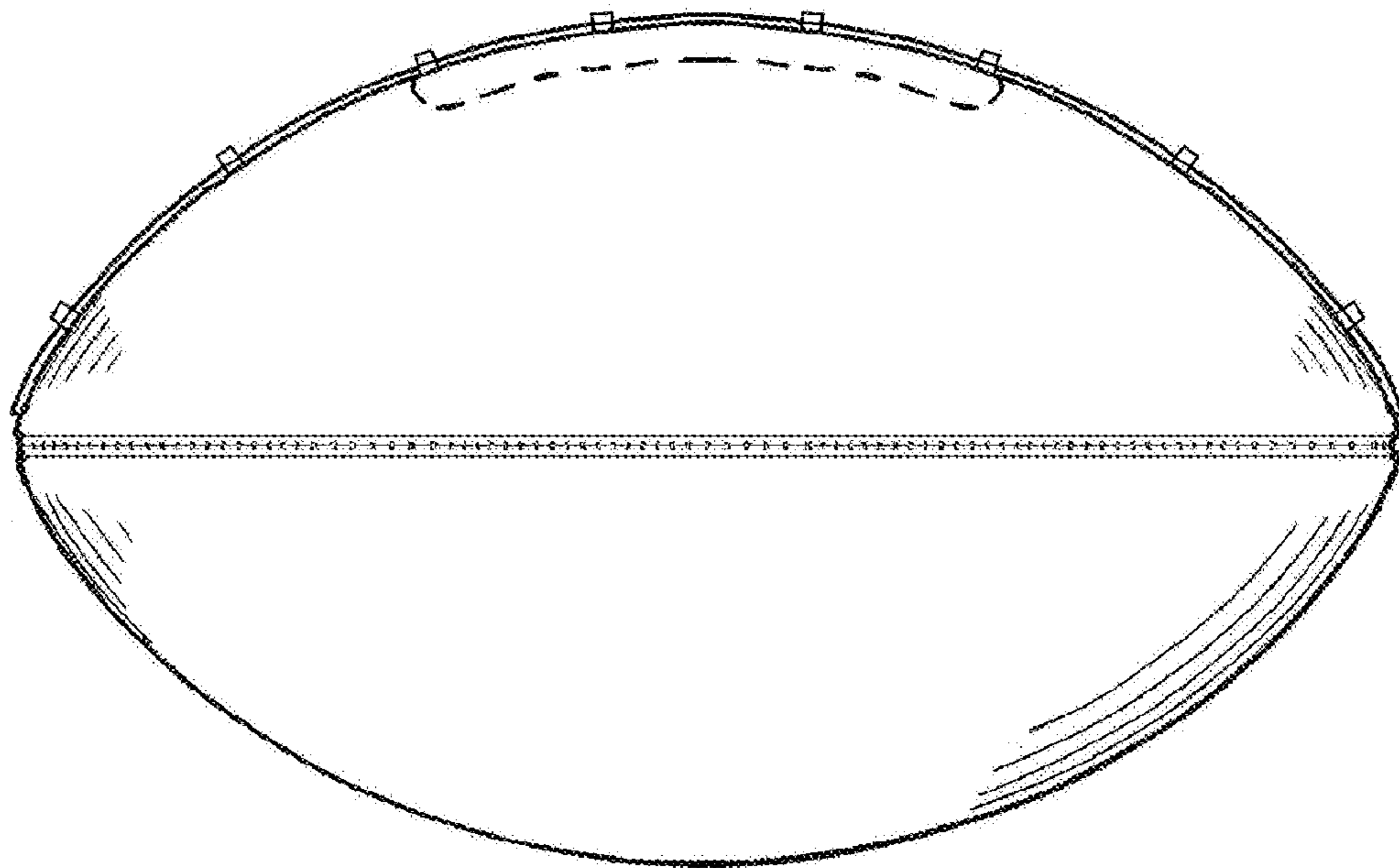


FIG. 3

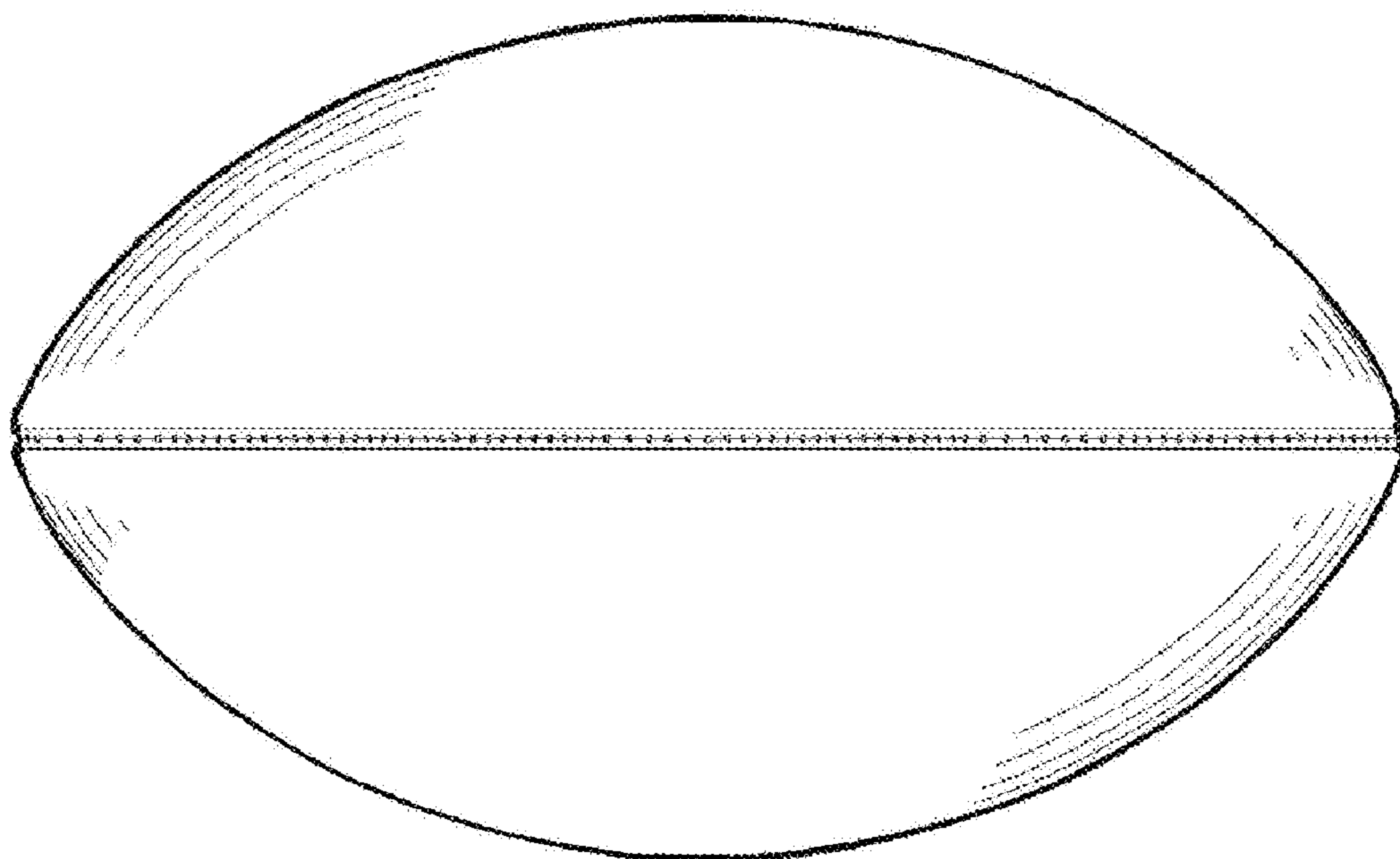


FIG. 4

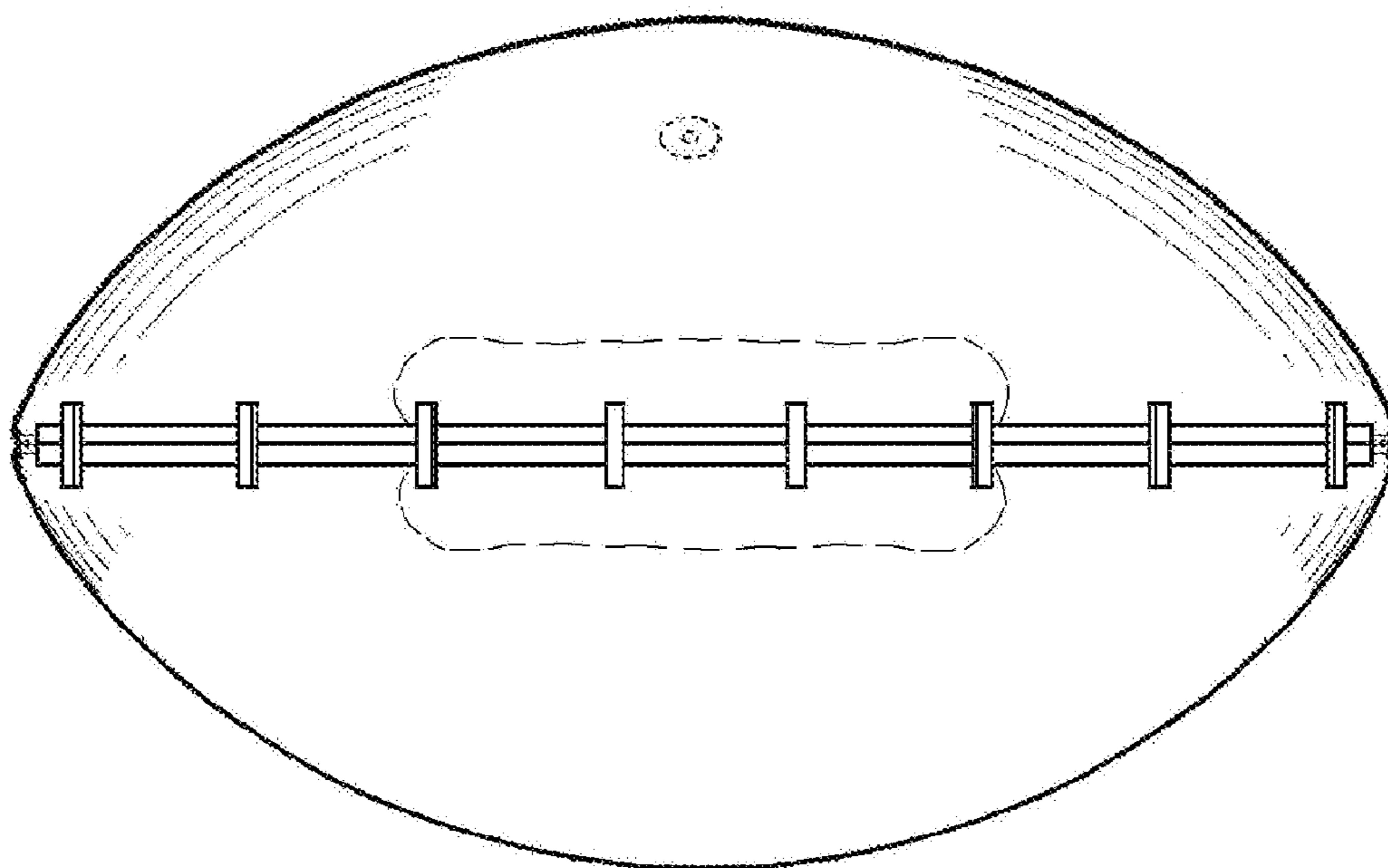


FIG. 5

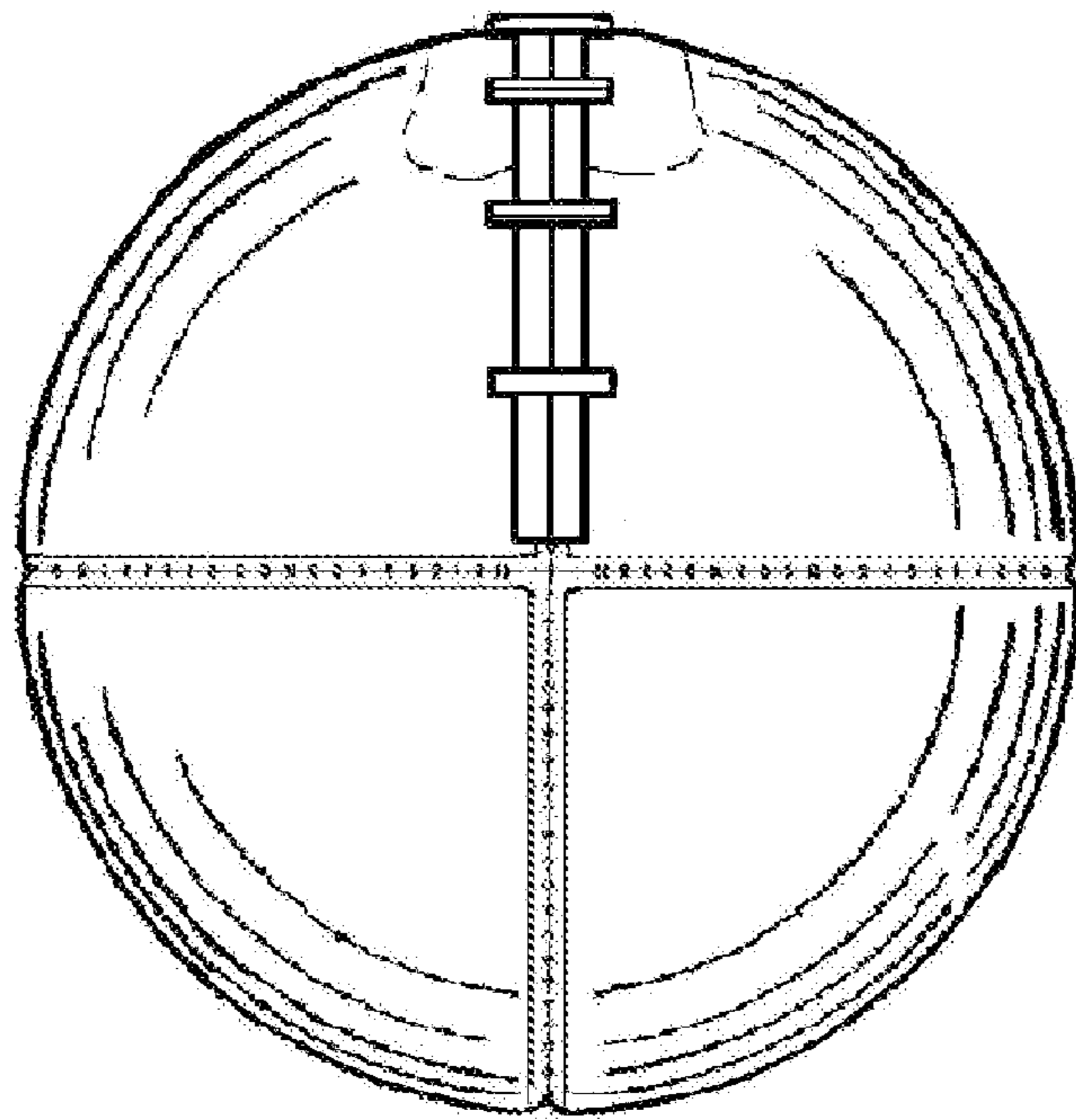


FIG. 6

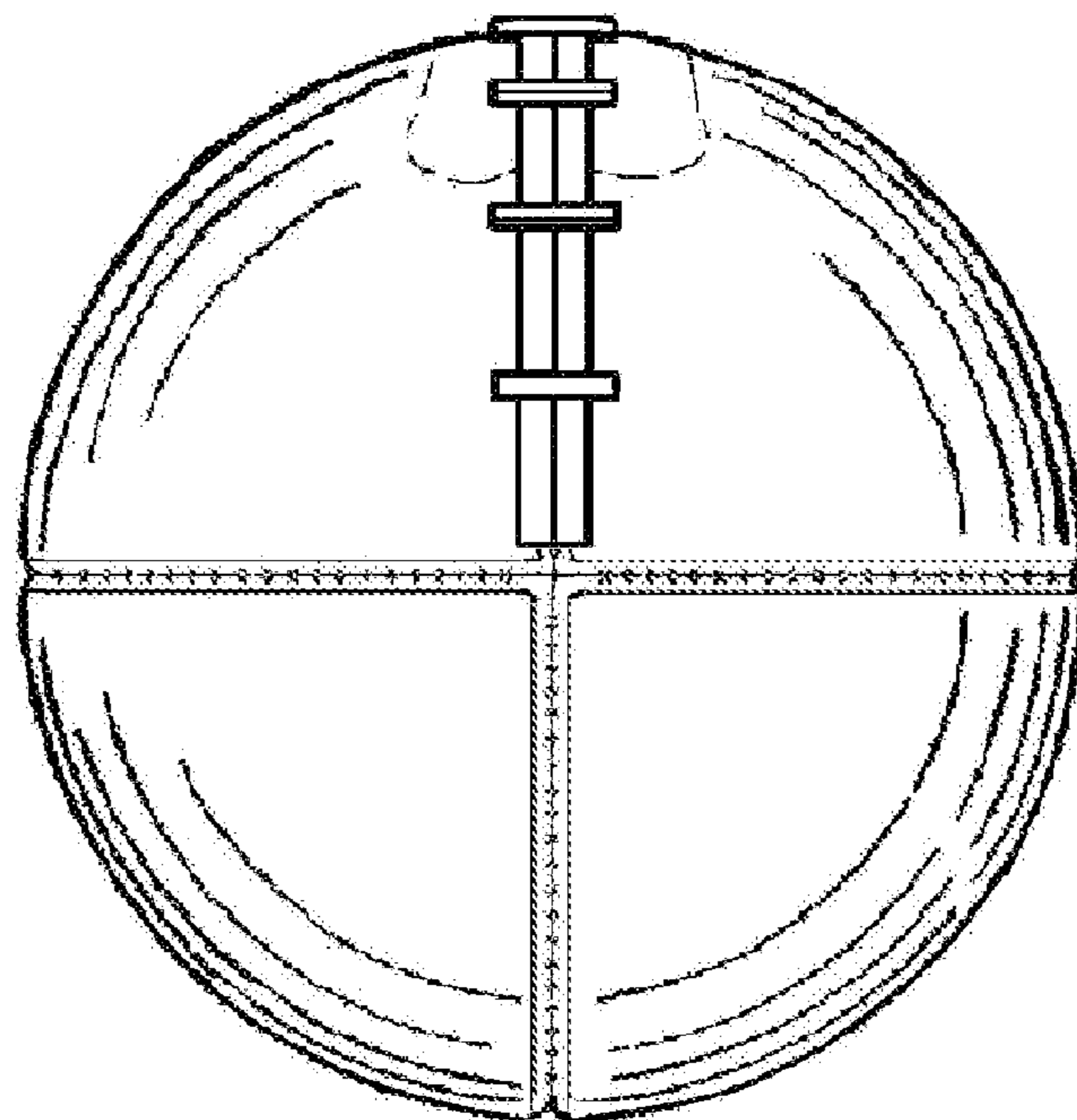


FIG. 7