



US00D550311S

(12) **United States Design Patent**  
**Chen**

(10) **Patent No.:** **US D550,311 S**

(45) **Date of Patent:** **\*\* Sep. 4, 2007**

(54) **RADIO CONTROLLED TOY**

(75) Inventor: **Vincent Chen**, Taipei (TW)

(73) Assignee: **Megatouch International, Inc.**, North Bergen, NJ (US)

(\*\*) Term: **14 Years**

(21) Appl. No.: **29/249,846**

(22) Filed: **Oct. 24, 2006**

(51) **LOC (8) Cl.** ..... **21-01**

(52) **U.S. Cl.** ..... **D21/548**

(58) **Field of Classification Search** ..... D21/533,  
D21/548-552, 559, 562; D12/82, 83, 86,  
D12/88, 91-93; 446/93, 95, 431, 454-456,  
446/465-471; 296/181.1, 181.2  
See application file for complete search history.

(56) **References Cited**

**U.S. PATENT DOCUMENTS**

D281,000 S *	10/1985	Kuna et al. ....	D21/559
5,102,367 A *	4/1992	Mullaney et al. ....	446/448
D425,141 S *	5/2000	Park .....	D21/550
D454,602 S *	3/2002	Tse .....	D21/559

\* cited by examiner

*Primary Examiner*—Holly H. Baynham

*Assistant Examiner*—Cynthia M. Chin

(74) *Attorney, Agent, or Firm*—Pearl Cohen Zedek Latzer, LLP

(57) **CLAIM**

The ornamental design for a radio controlled toy, as shown and described.

**DESCRIPTION**

FIG. 1 is a perspective view of the radio controlled toy, showing my new design;

FIG. 2 is a top view thereof;

FIG. 3 is a bottom view thereof;

FIG. 4 is a left side view thereof;

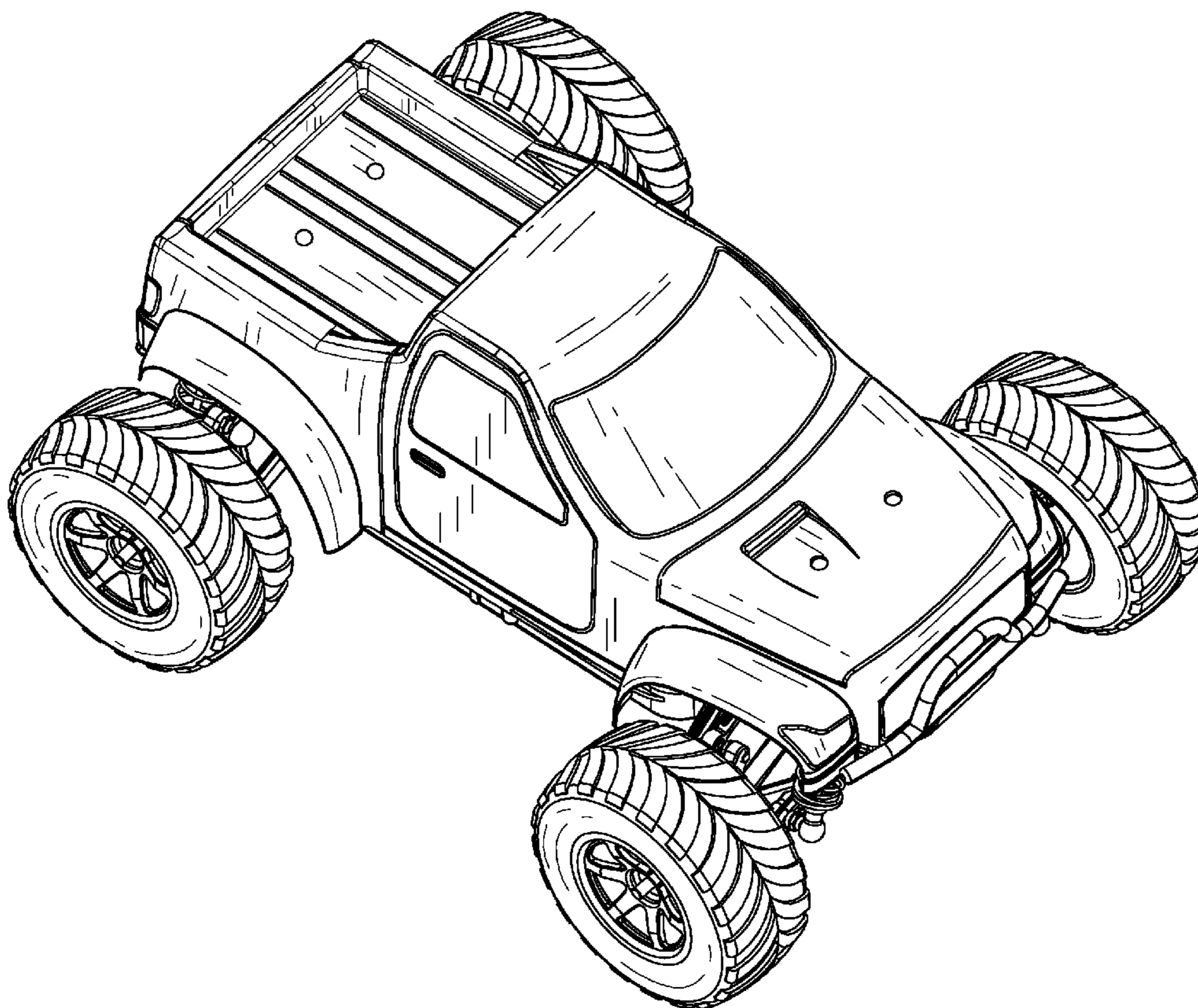
FIG. 5 is a right side view thereof;

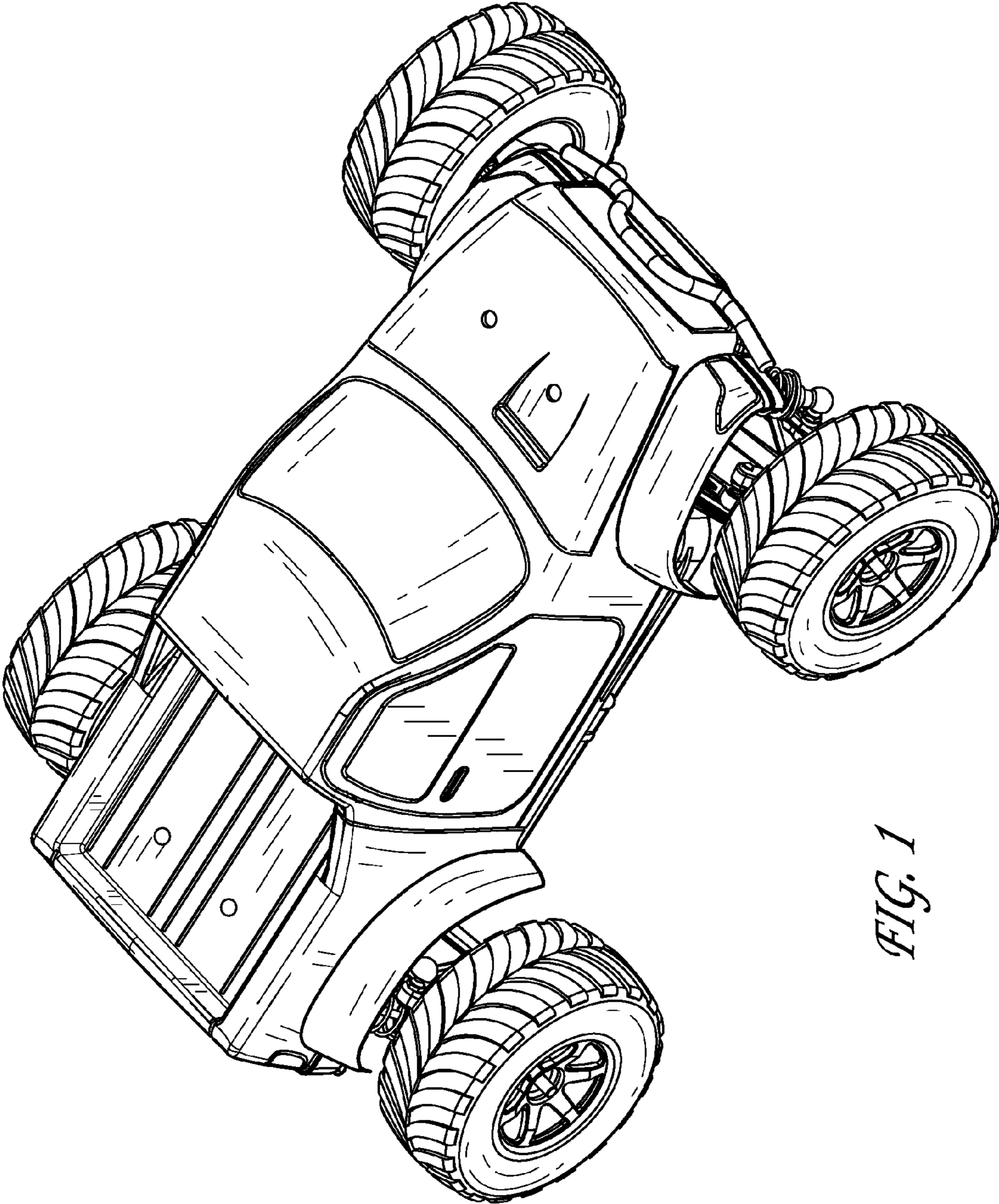
FIG. 6 is a front view thereof;

FIG. 7 is a back view thereof; and,

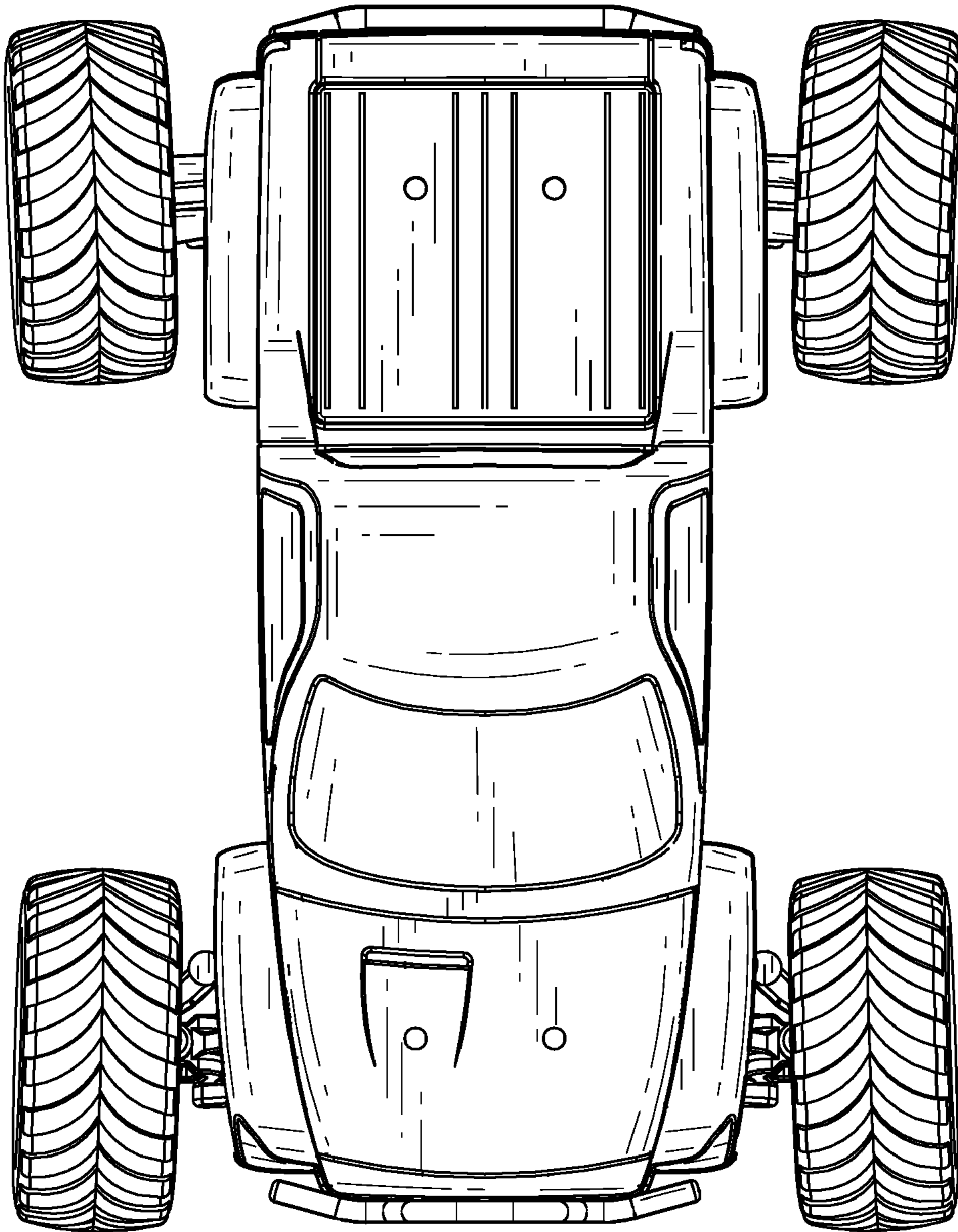
FIG. 8 is a perspective view of the radio controlled toy shown without the cover for clarity of illustration.

**1 Claim, 6 Drawing Sheets**





*FIG. 1*



*FIG. 2*

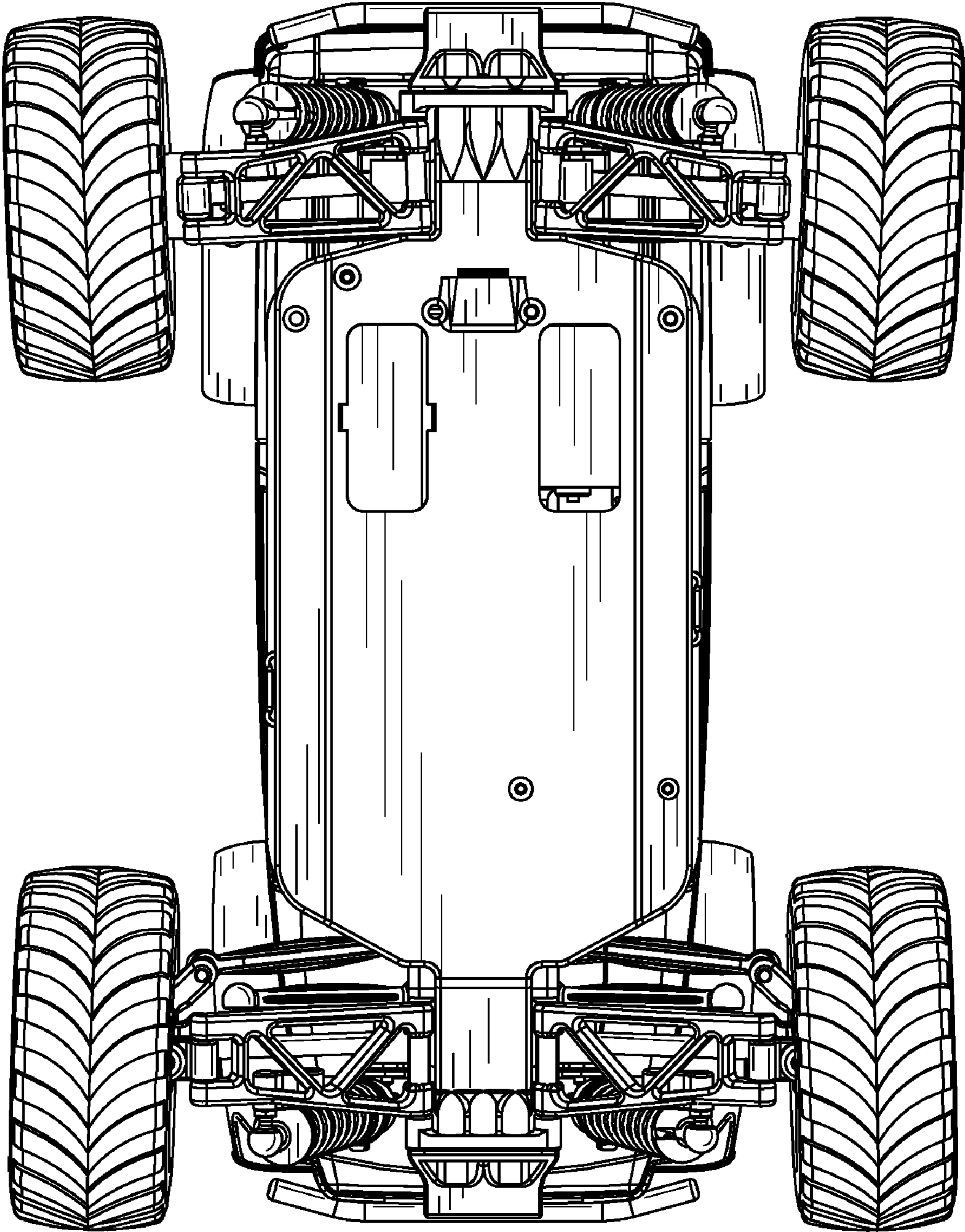
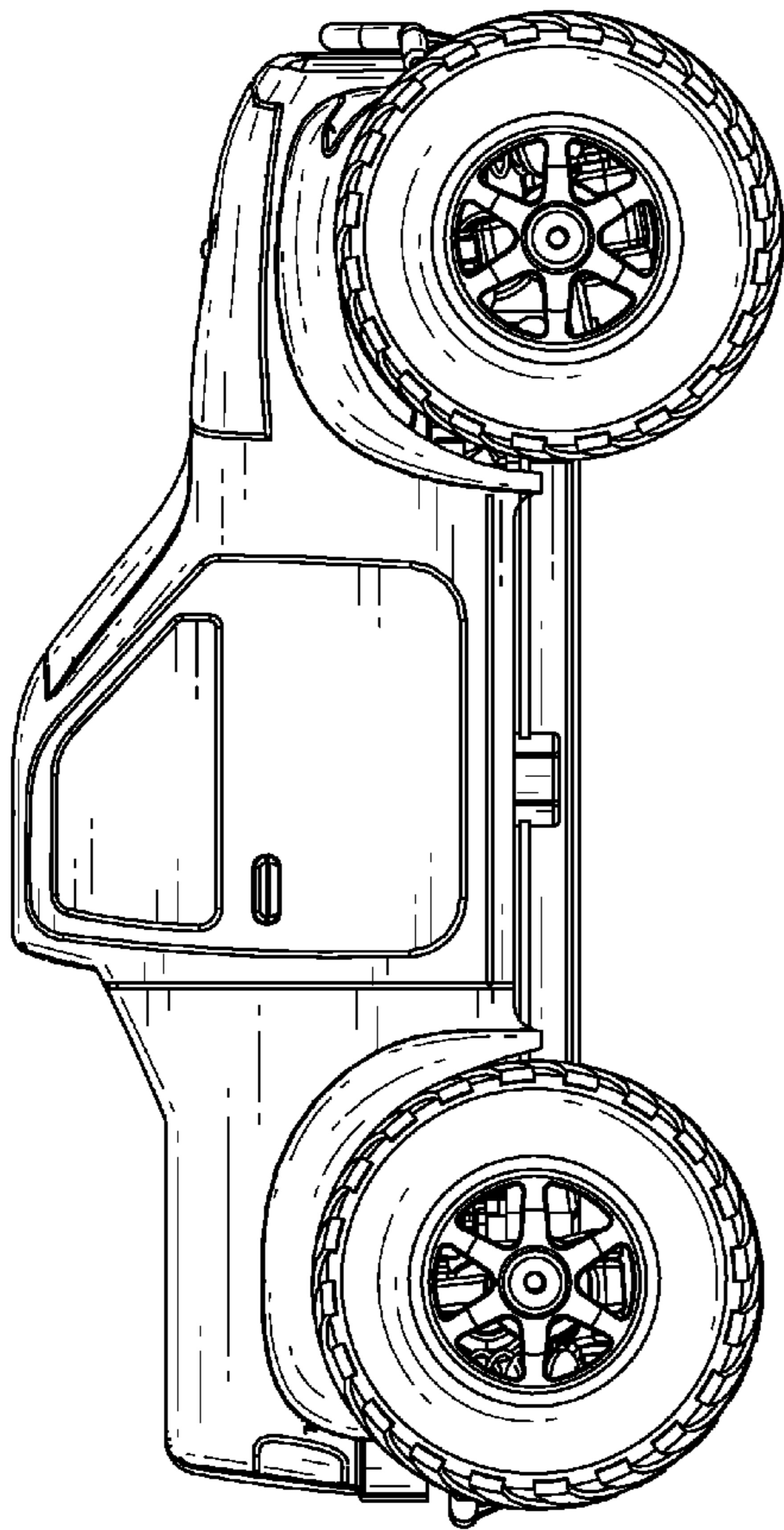
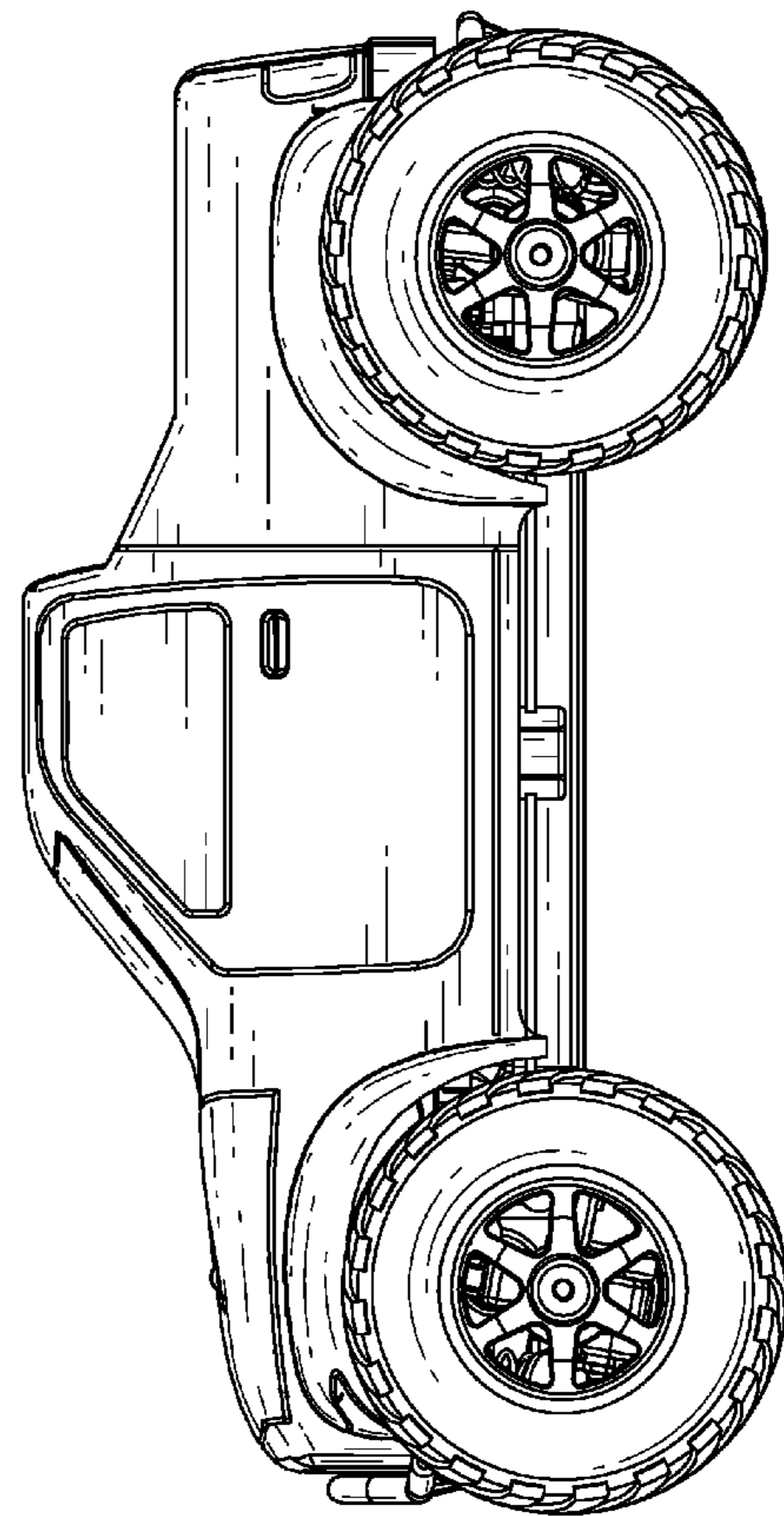


FIG. 3



*FIG. 4*



*FIG. 5*

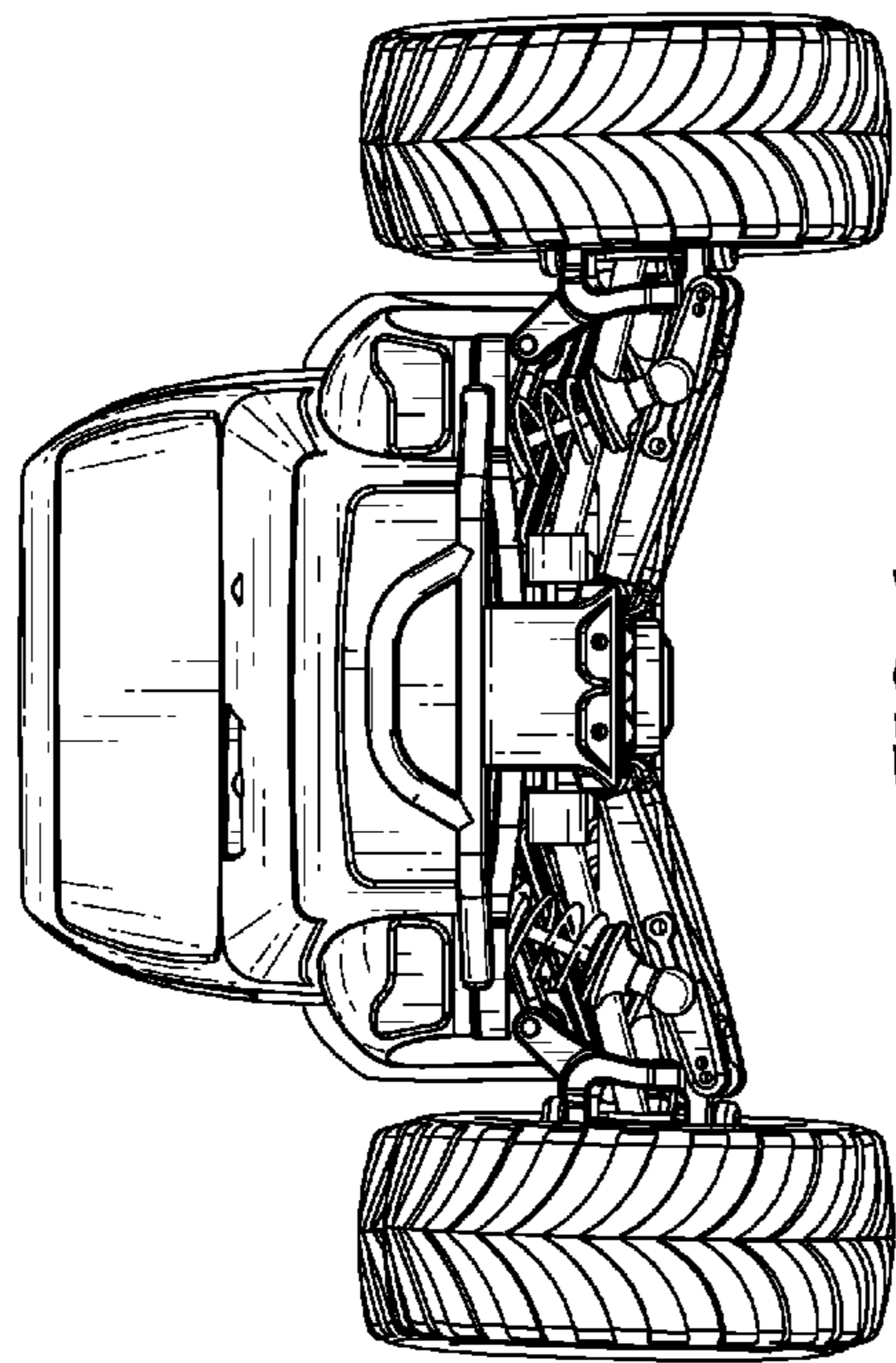


FIG. 6

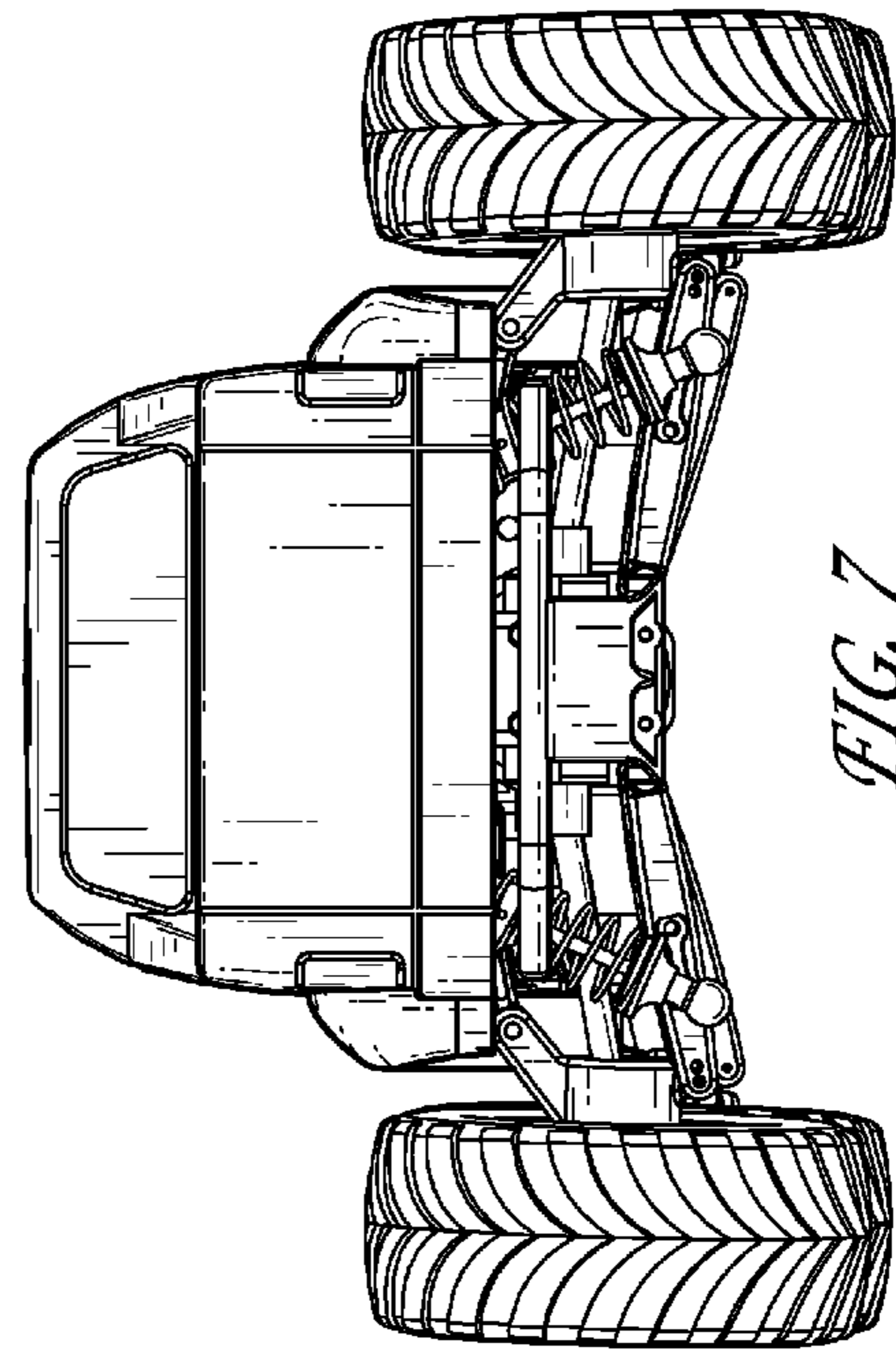


FIG. 7

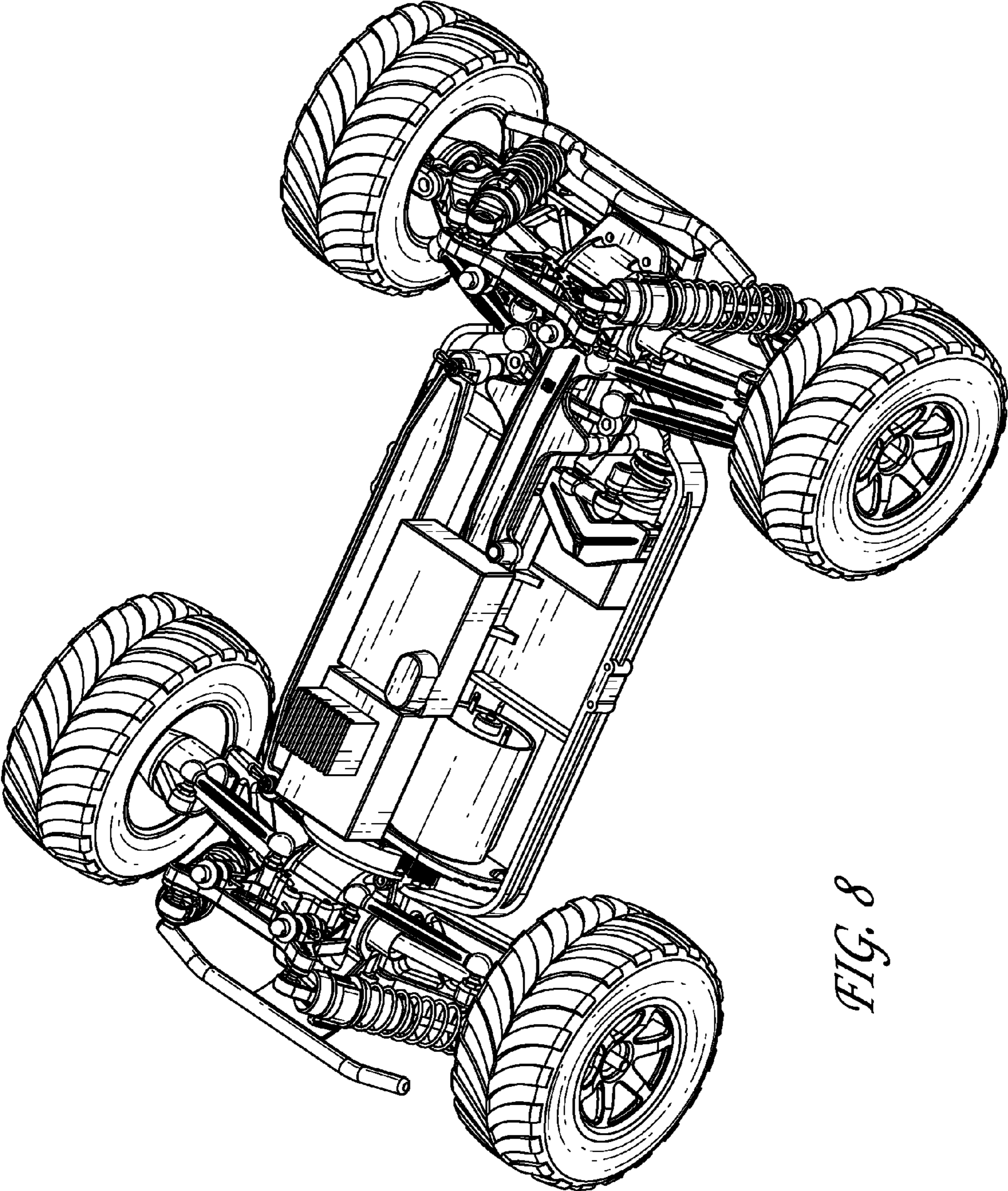


FIG. 8