



US00D550308S

(12) **United States Design Patent**
Glickman et al.

(10) **Patent No.:** **US D550,308 S**

(45) **Date of Patent:** **** Sep. 4, 2007**

(54) **CONSTRUCTION TOY COMPONENT**

(75) Inventors: **Joel Glickman**, Jupiter, FL (US);
Matthias F. W. Doepner, Harleysville,
PA (US); **Mark McCormick**,
Coopersburg, PA (US)

(73) Assignee: **K'Nex Limited Partnership Group**,
Hatfield, PA (US)

(**) Term: **14 Years**

(21) Appl. No.: **29/272,132**

(22) Filed: **Feb. 1, 2007**

(51) **LOC (8) Cl.** **21-05**

(52) **U.S. Cl.** **D21/486**

(58) **Field of Classification Search** D21/484-505;
D25/113-118; 446/69, 85, 101-128
See application file for complete search history.

(56) **References Cited**

U.S. PATENT DOCUMENTS

2,810,233	A	*	10/1957	Jakobsen	446/126
D372,055	S	*	7/1996	Hrsel	D21/487
5,846,114	A	*	12/1998	Frandsen, II	446/106
D410,704	S	*	6/1999	Krog	D21/486
D411,262	S	*	6/1999	Toft	D21/486
D420,710	S	*	2/2000	Poulsen	D21/486

D517,615 S * 3/2006 Kim D21/486
2004/0077256 A1 * 4/2004 Laferrera 446/85

* cited by examiner

Primary Examiner—Holly H. Baynham

Assistant Examiner—Cynthia M. Chin

(74) *Attorney, Agent, or Firm*—Schweitzer Cornman Gross
& Bondell LLP

(57) **CLAIM**

The ornamental design for a construction toy component, as shown and described.

DESCRIPTION

FIG. 1 is a top perspective view of a construction toy component;

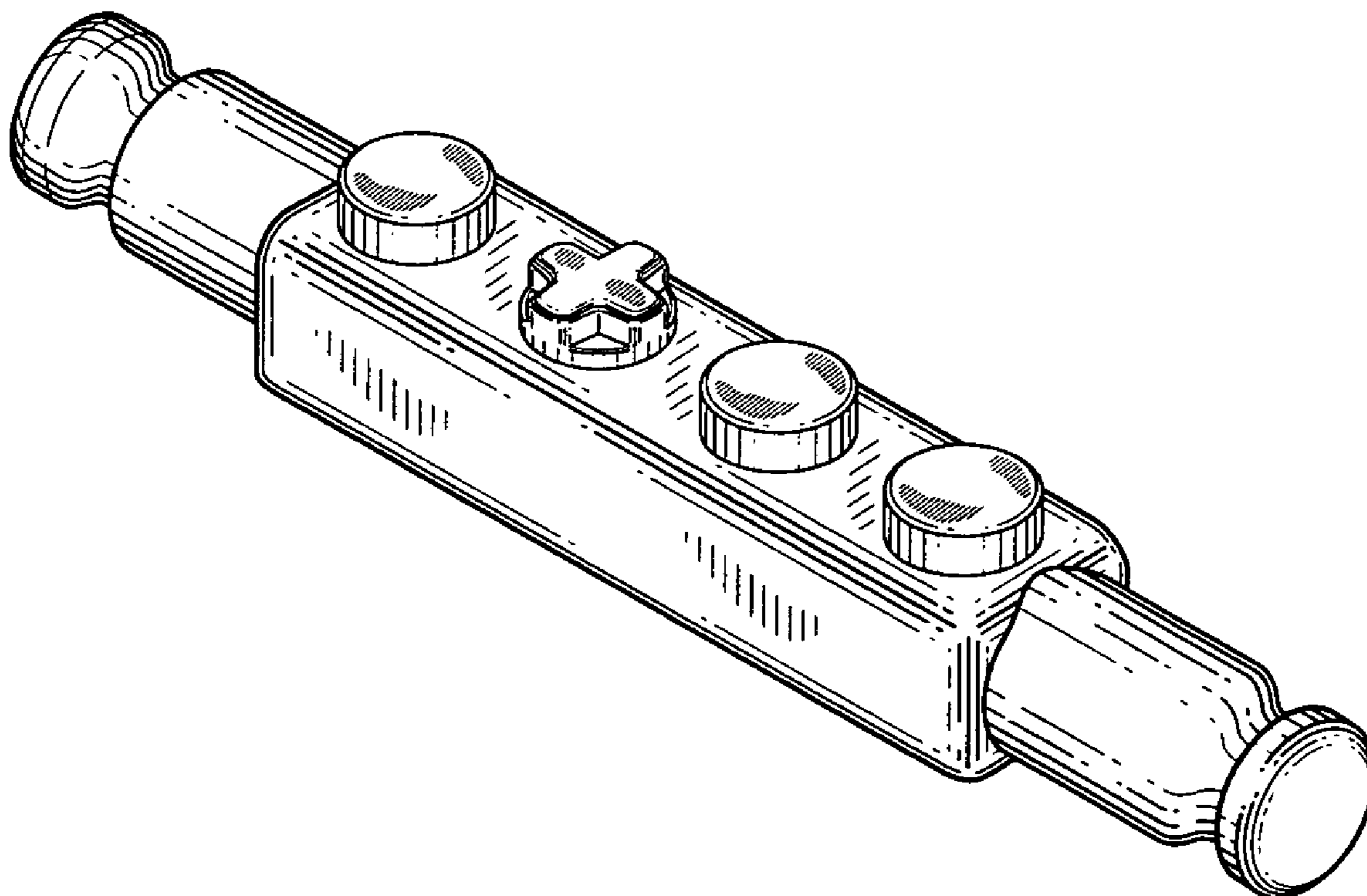
FIG. 2 is a top plan view of the construction toy component of FIG. 1;

FIG. 3 is a side elevation view of the construction toy component of FIG. 1, the other side being a mirror image; and,

FIG. 4 is front elevation view of the construction toy component of FIG. 1, the rear being identical.

The bottom of the construction toy component forms no part of the claimed design.

1 Claim, 2 Drawing Sheets



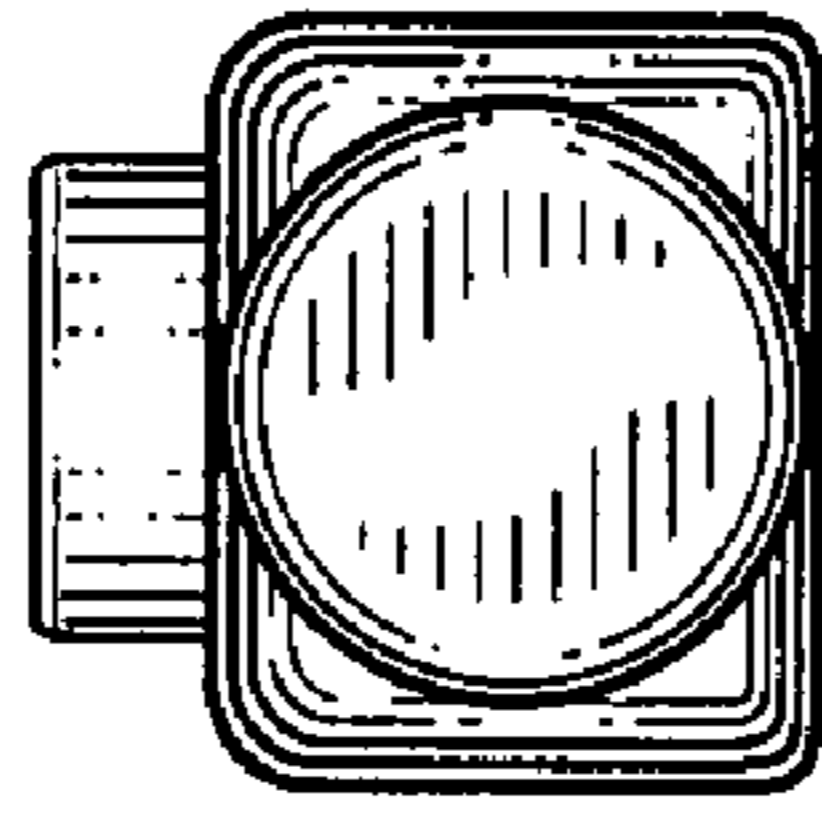


FIG. 4

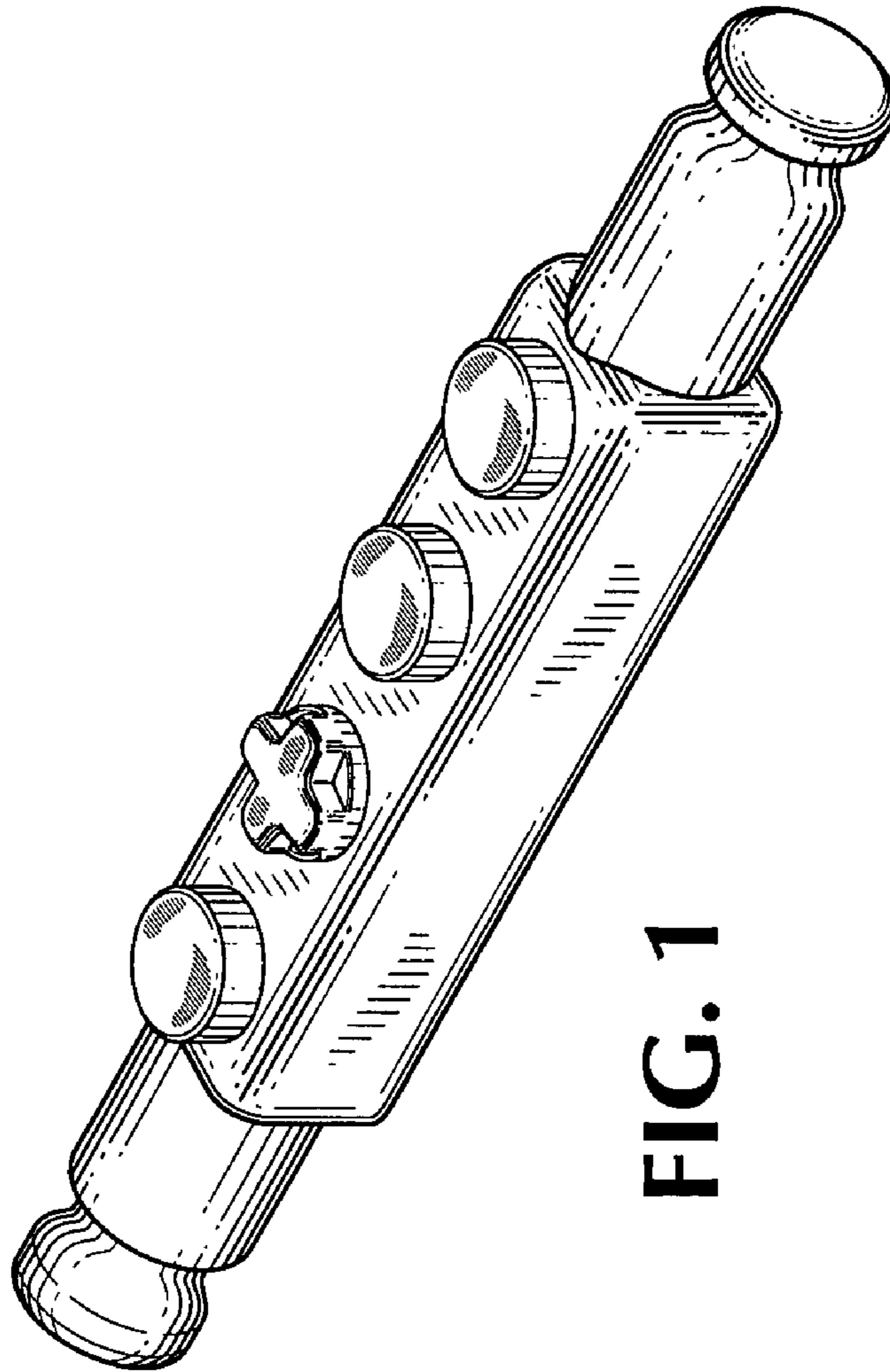


FIG. 1

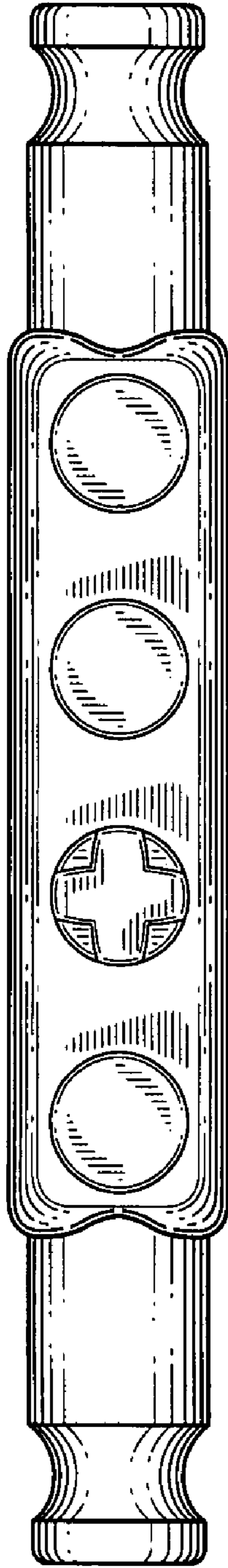


FIG. 2

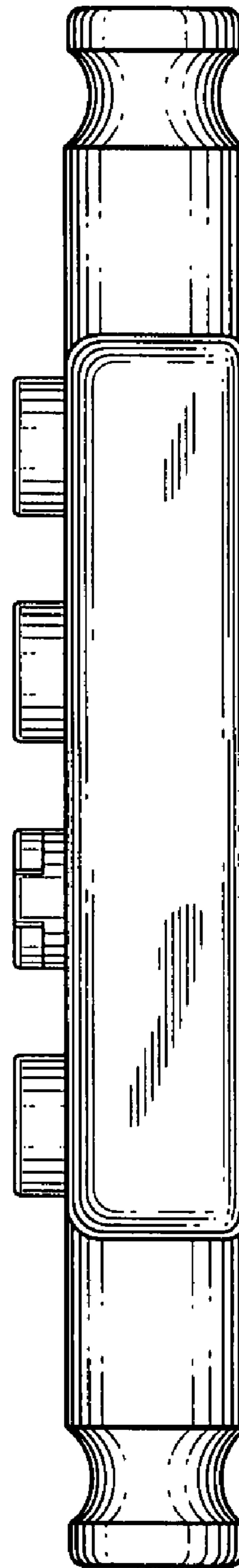


FIG. 3