



US00D550307S

(12) **United States Design Patent**
Glickman

(10) **Patent No.:** **US D550,307 S**

(45) **Date of Patent:** **** Sep. 4, 2007**

(54) **CONSTRUCTION TOY COMPONENT**

(75) **Inventor:** **Joel Glickman**, Jupiter, FL (US)

(73) **Assignee:** **K'NEX Limited Partnership Group**,
Hatfield, PA (US)

(**) **Term:** **14 Years**

(21) **Appl. No.:** **29/271,489**

(22) **Filed:** **Jan. 19, 2007**

(51) **LOC (8) Cl.** **21-01**

(52) **U.S. Cl.** **D21/484; D21/487**

(58) **Field of Classification Search** **D21/484-505;**
D25/113-118; 446/69, 85, 101-128; D8/382
See application file for complete search history.

(56) **References Cited**

U.S. PATENT DOCUMENTS

2,042,007 A * 5/1936 Kennedy 446/121
D410,708 S * 6/1999 Toft D21/503

* cited by examiner

Primary Examiner—Holly H. Baynham

Assistant Examiner—Cynthia M. Chin

(74) *Attorney, Agent, or Firm*—Schweitzer Cornman Gross
& Bondell LLP

(57) **CLAIM**

The ornamental design for a construction toy component, as shown and described.

DESCRIPTION

FIG. 1 is a perspective view from the front;

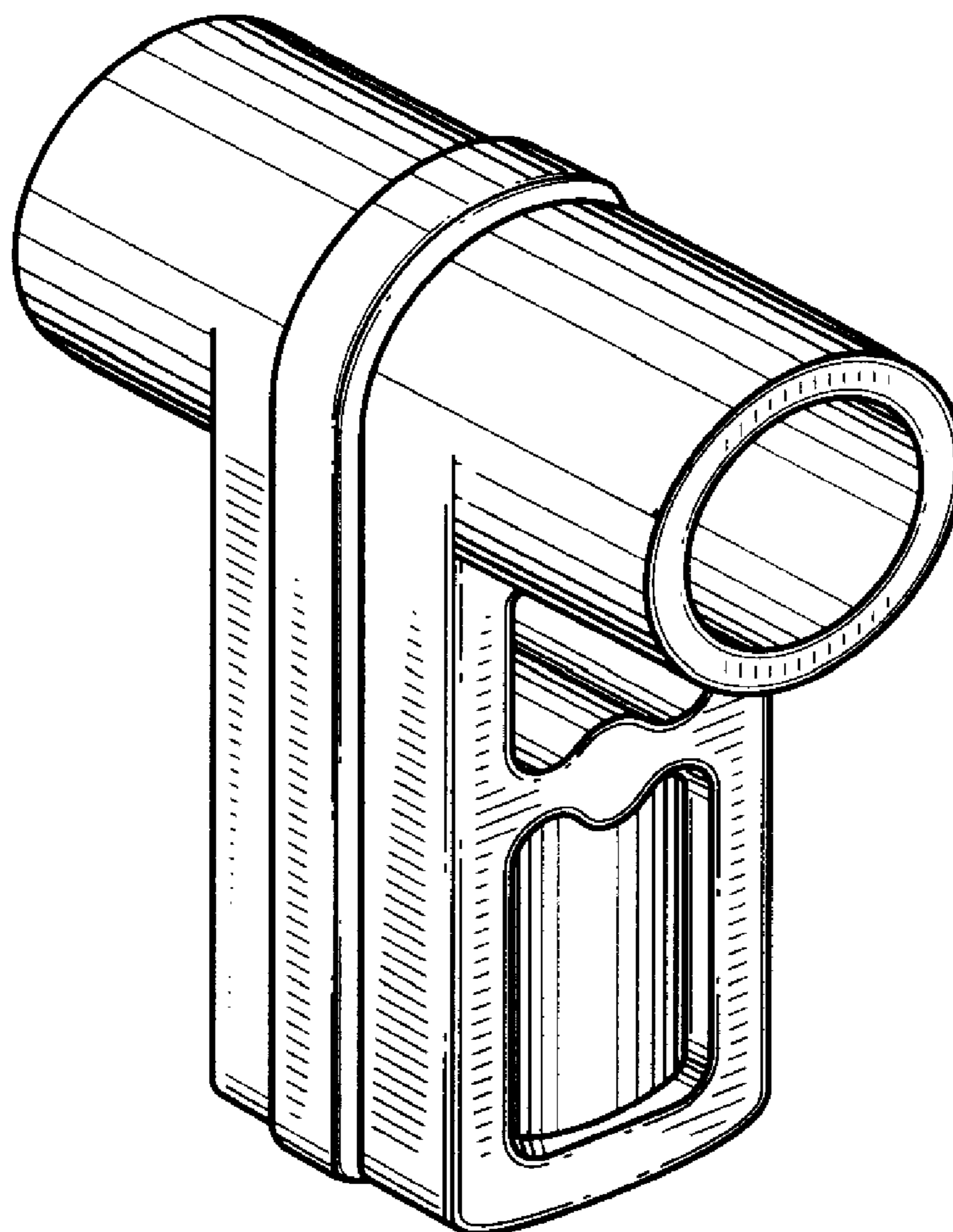
FIG. 2 is a front elevation view, the rear view being identical;

FIG. 3 is a first side elevation view, the second side being identical;

FIG. 4 is a top plan view; and,

FIG. 5 is a bottom view.

1 Claim, 2 Drawing Sheets



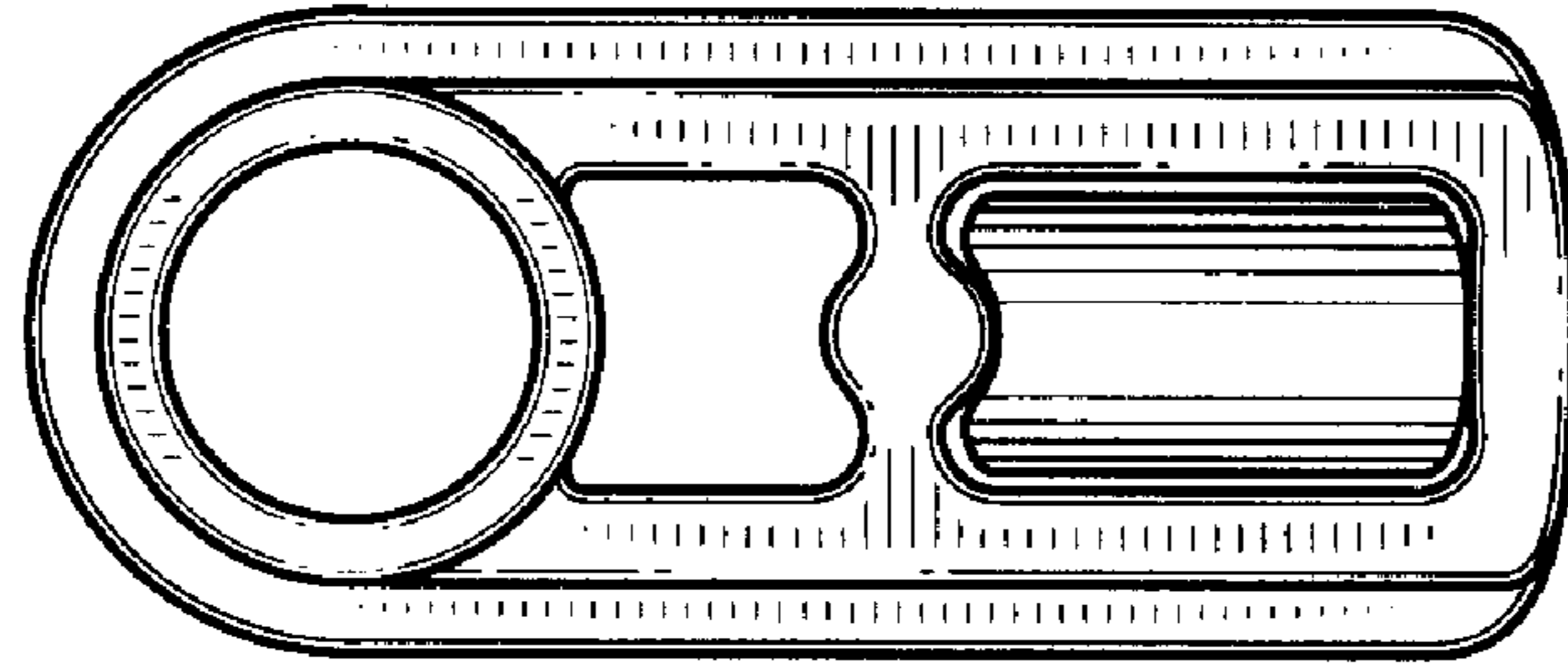


FIG. 2

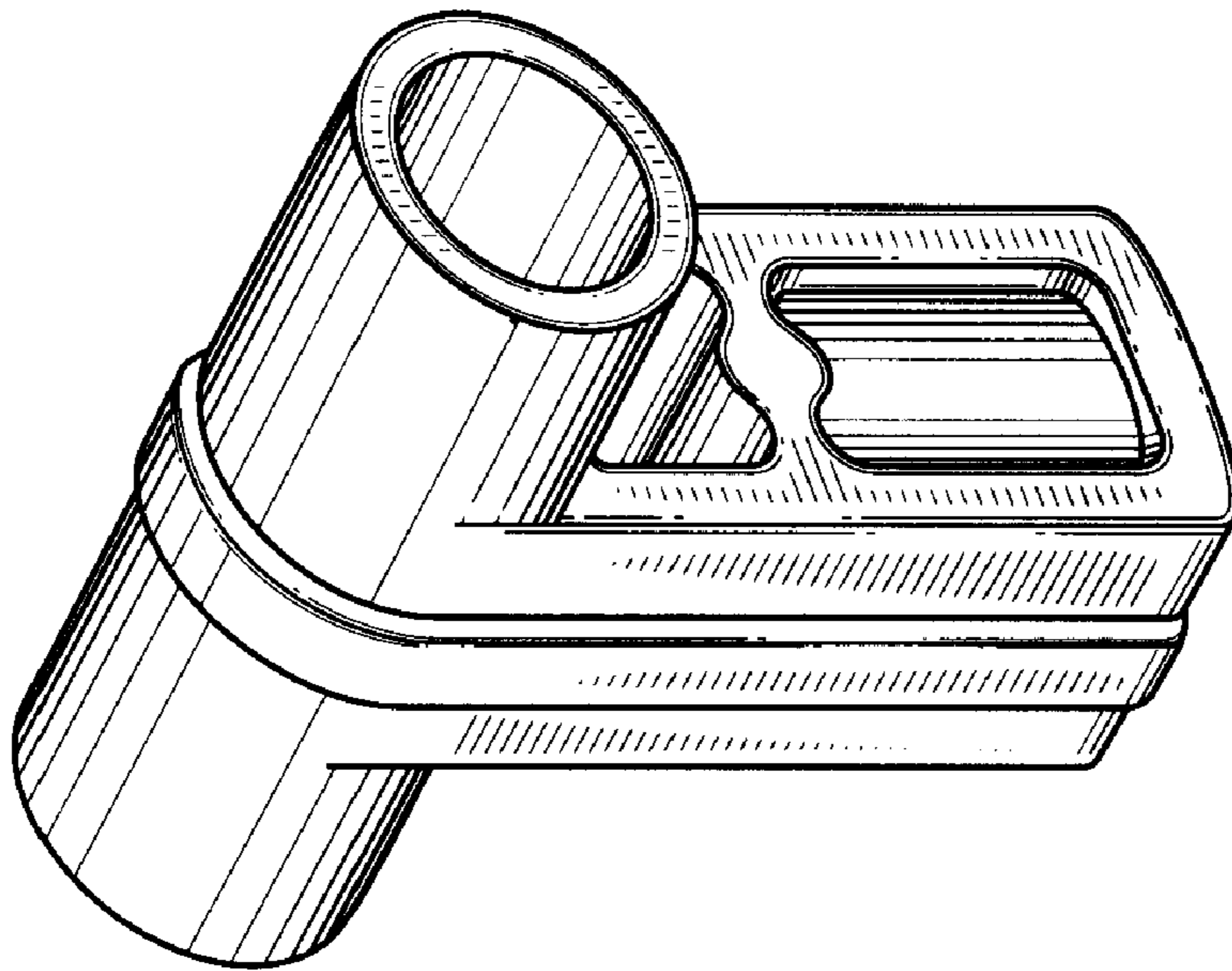


FIG. 1

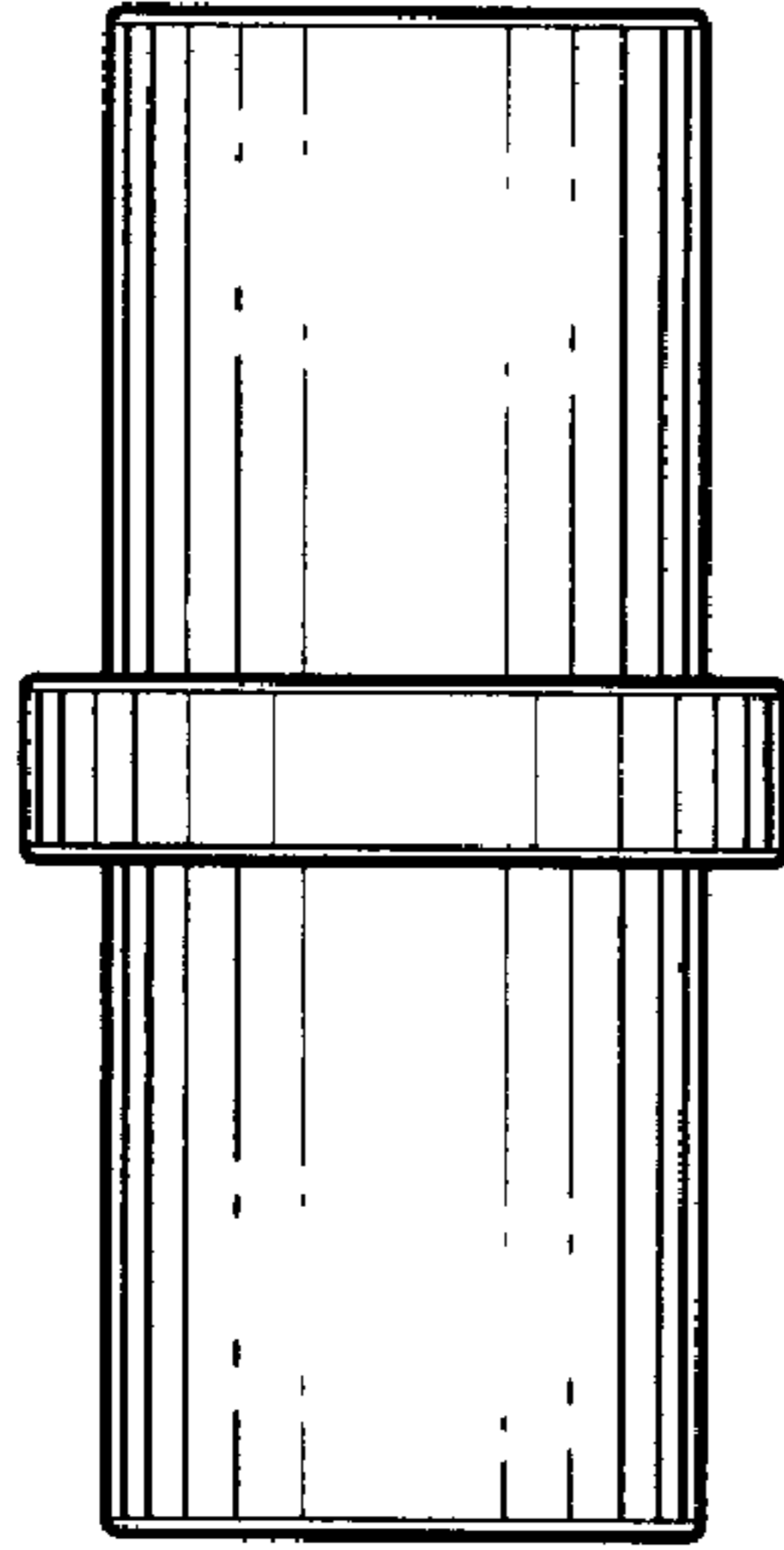


FIG. 4

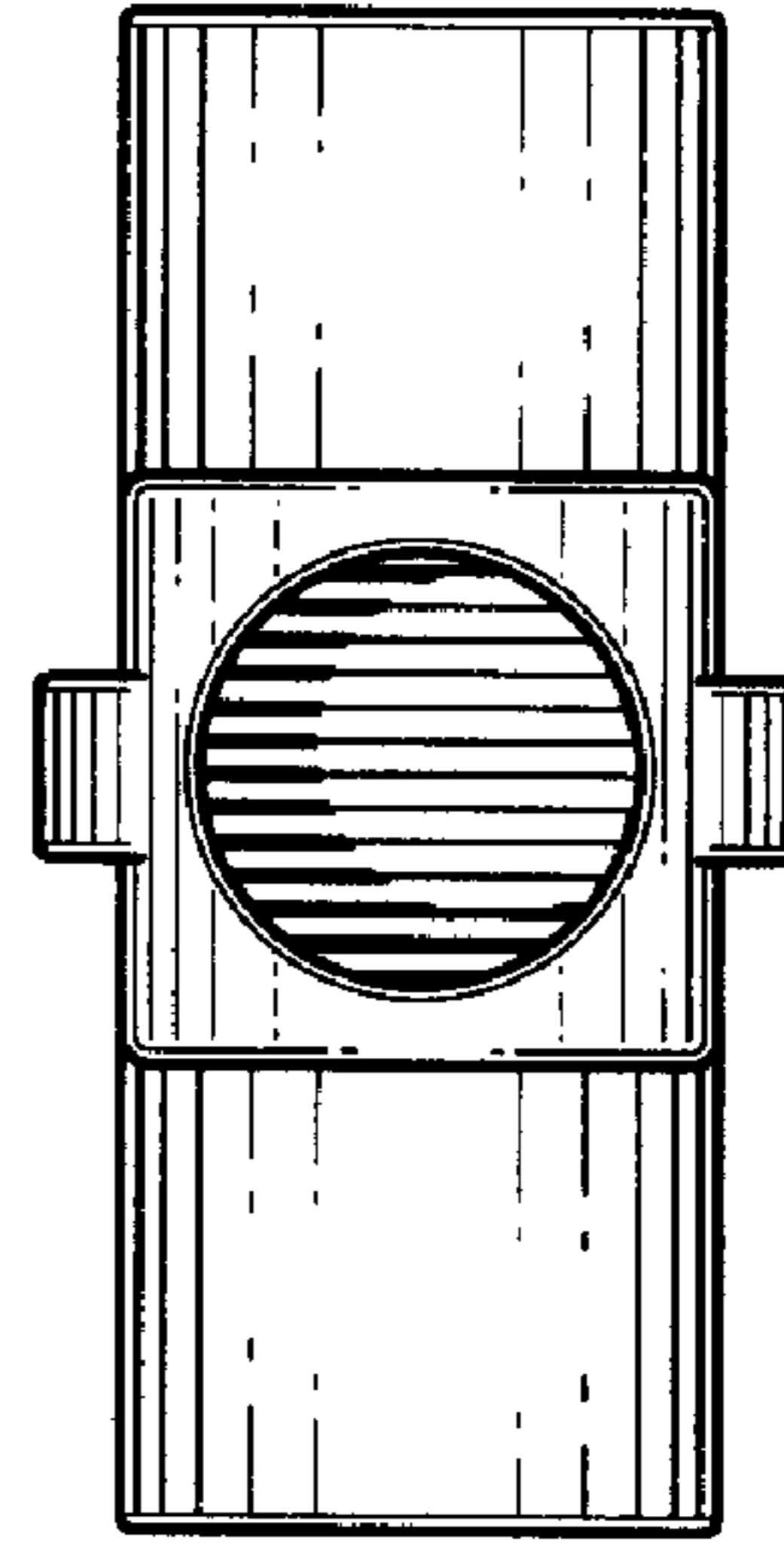


FIG. 5

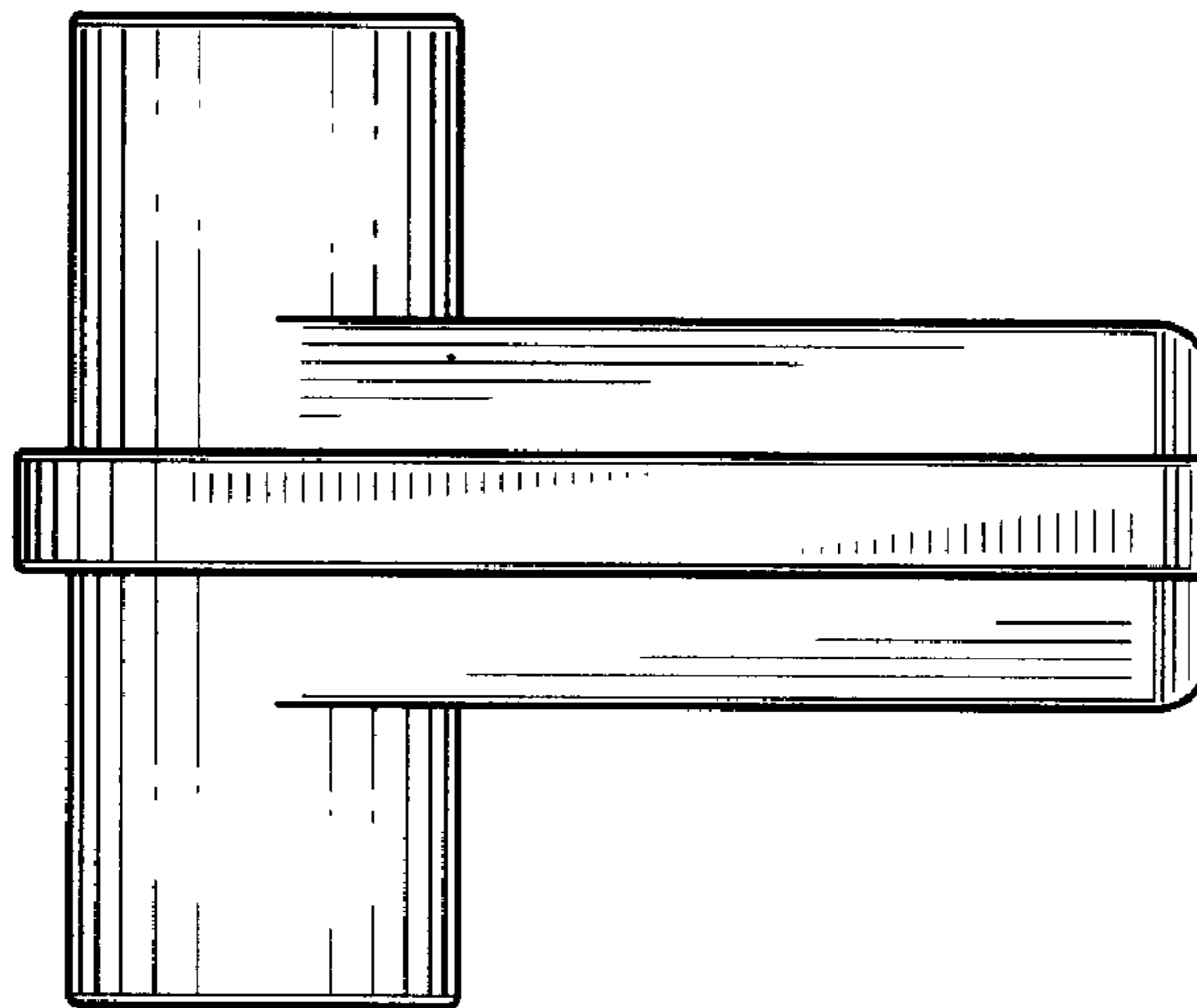


FIG. 3