



US00D550306S

(12) **United States Design Patent**
Arvidsson

(10) **Patent No.:** **US D550,306 S**

(45) **Date of Patent:** **** Sep. 4, 2007**

(54) **PLAYGROUND EQUIPMENT DEVICE**

(75) Inventor: **Mikael Arvidsson**, Jonkoping (SE)

(73) Assignee: **Hags Aneby AB**, Aneby (SE)

(**) Term: **14 Years**

(21) Appl. No.: **29/249,857**

(22) Filed: **Oct. 24, 2006**

(51) **LOC (8) Cl.** **21-01**

(52) **U.S. Cl.** **D21/412**

(58) **Field of Classification Search** D21/412-418,
D21/814, 828-833; 472/4, 5, 106-115, 125,
472/135

See application file for complete search history.

(56) **References Cited**

U.S. PATENT DOCUMENTS

D54,267	S	*	12/1919	Jordan et al.	D21/412
1,642,740	A	*	9/1927	Mitchell	248/343
D146,168	S	*	1/1947	Buczowski	D21/412
2,488,889	A	*	11/1949	Allie	472/112
D157,939	S	*	4/1950	Castelli	D21/412
D208,922	S	*	10/1967	Gruddoski	D21/412
D270,558	S	*	9/1983	Fuller	D21/412
4,944,507	A	*	7/1990	Efstratis	472/125
D512,747	S	*	12/2005	Habing	D21/412
2006/0128482	A1	*	6/2006	Habing	472/113

* cited by examiner

Primary Examiner—Catherine Tuttle

(74) *Attorney, Agent, or Firm*—Polster, Lieder, Woodruff & Lucchesi

(57) **CLAIM**

The ornamental design for a playground equipment device, as shown and described.

DESCRIPTION

FIG. 1 is perspective view of a playground equipment device showing my new design;

FIG. 2 is a side elevational view of the design, on a reduced scale relative to FIG. 1;

FIG. 3 is an enlarged front elevational view of the design;

FIG. 4 is a top plan view of the design, on a slightly enlarged scale relative to FIG. 2; and a reduced scale relative to FIG. 3;

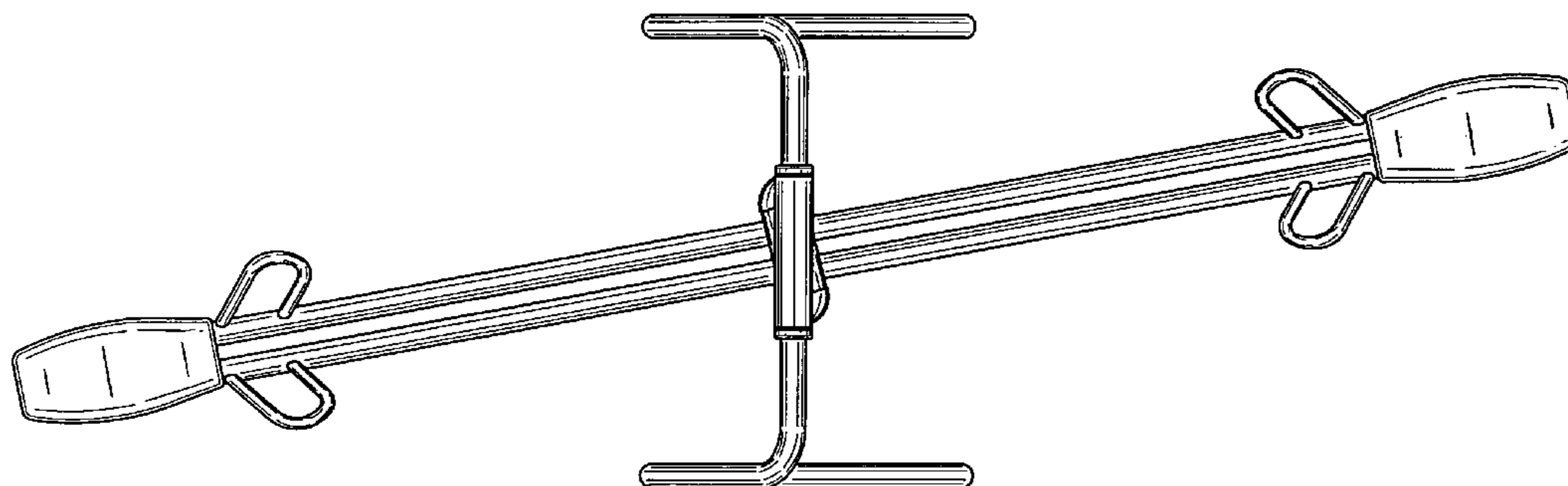
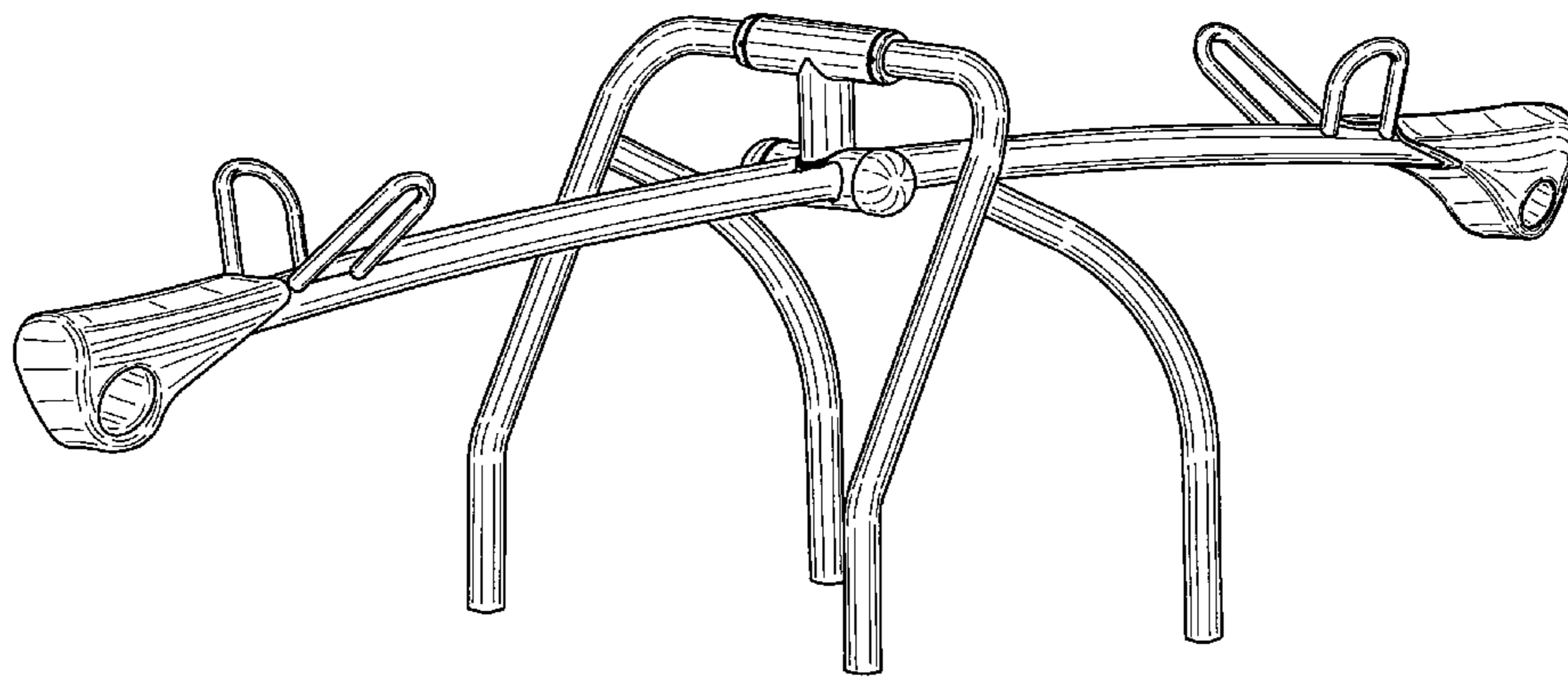
FIG. 5 is a bottom plan view of the design on a scale similar to FIG 4;

FIG. 6 is a perspective view of the pivoting arm portion of the design, shown separated from the base portion of the design for clarity and completeness of disclosure;

FIG. 7 is an enlarged scale fragmentary perspective view of one of the seat elements of the design; and,

FIG. 8 is an enlarged scale fragmentary perspective view of the pivot sleeve of the pivot cam portion of the design.

1 Claim, 6 Drawing Sheets



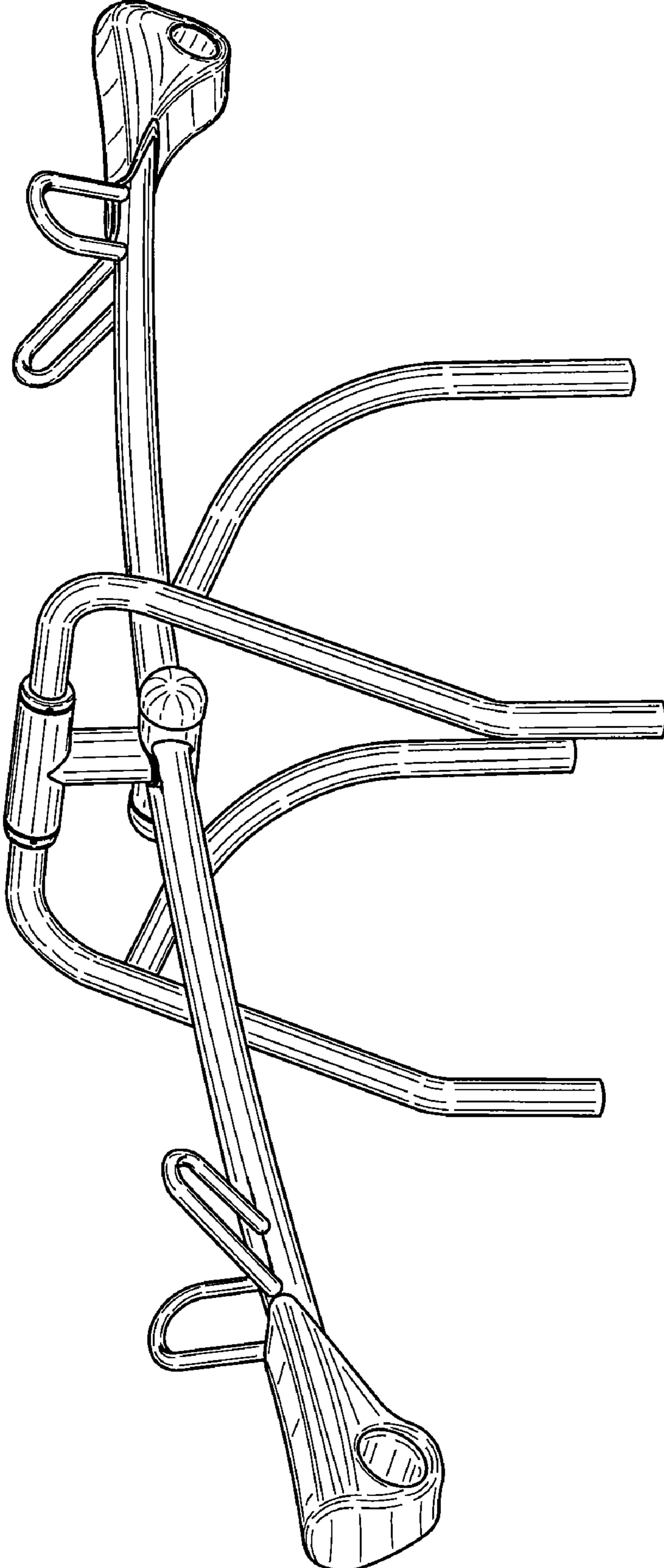


FIG. 1

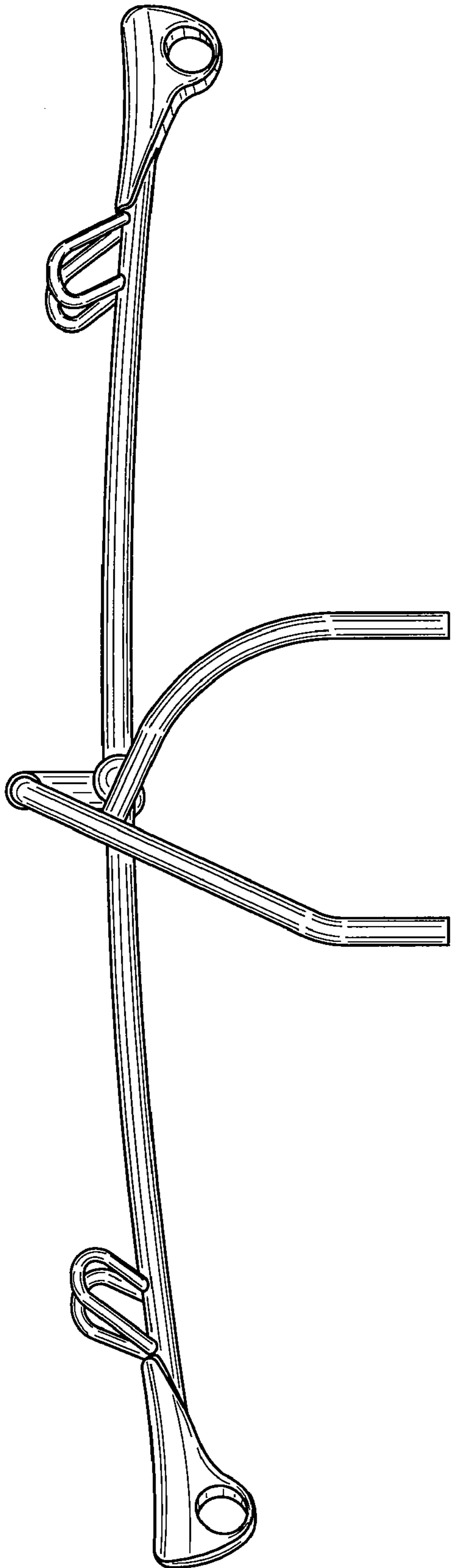


FIG. 2

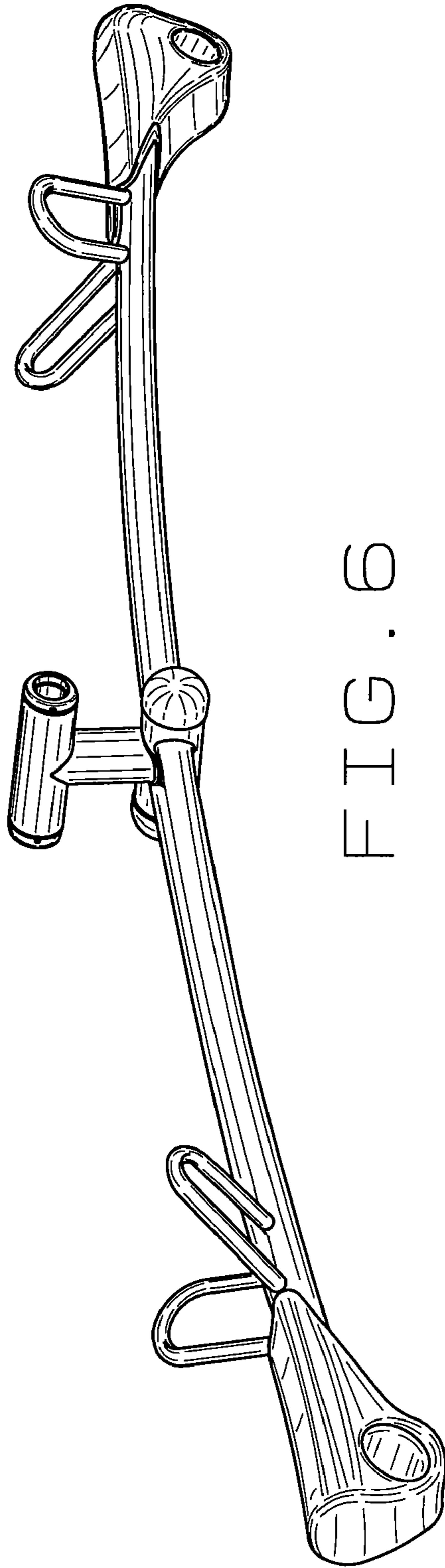


FIG. 6

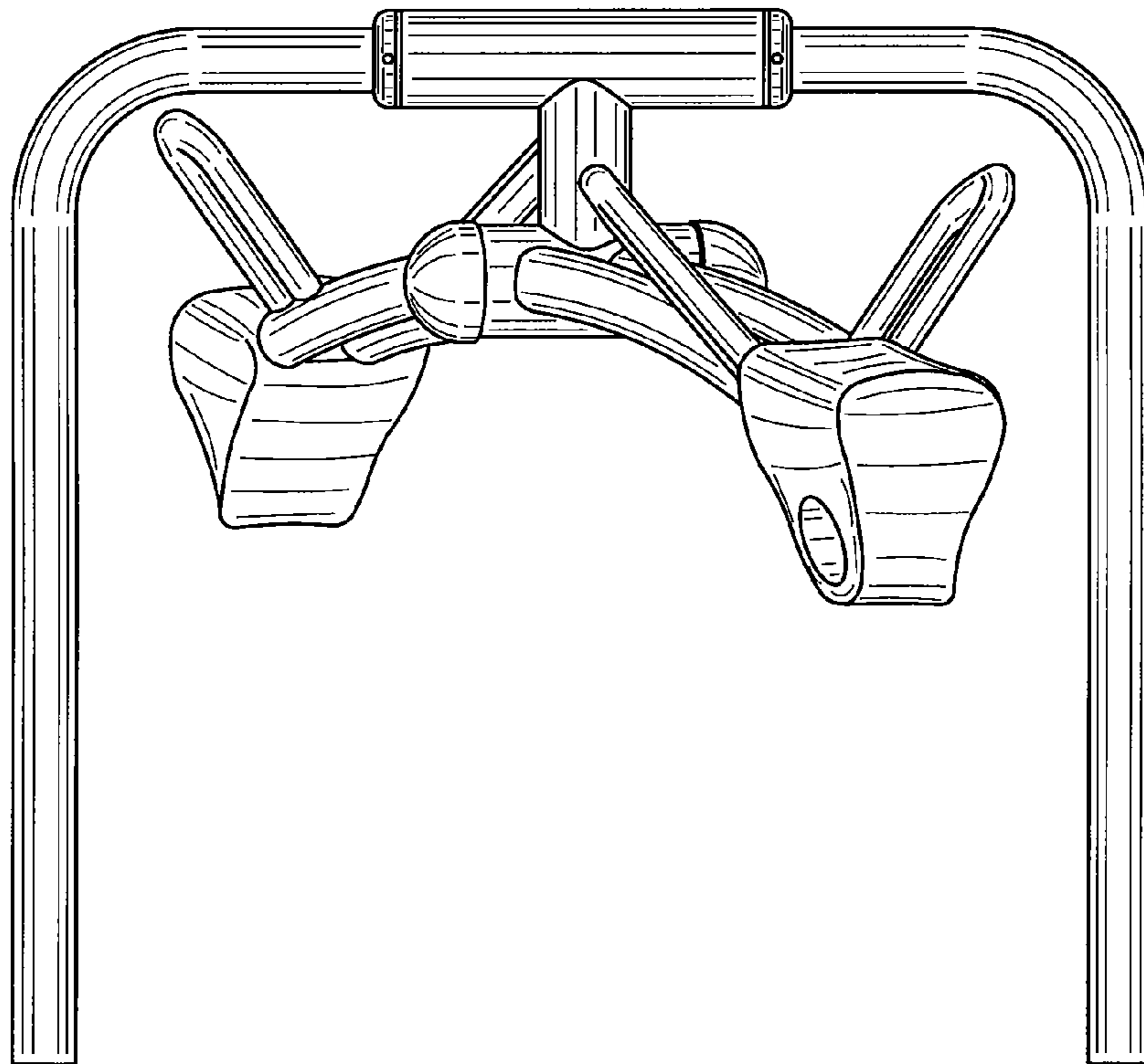


FIG. 3

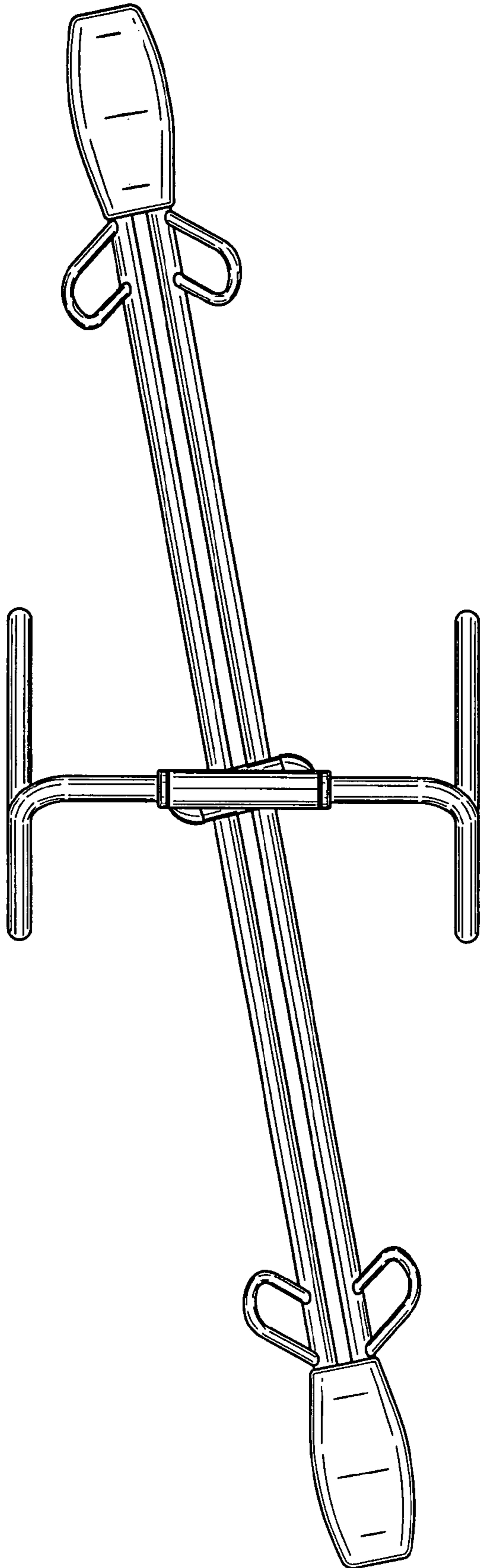


FIG. 4

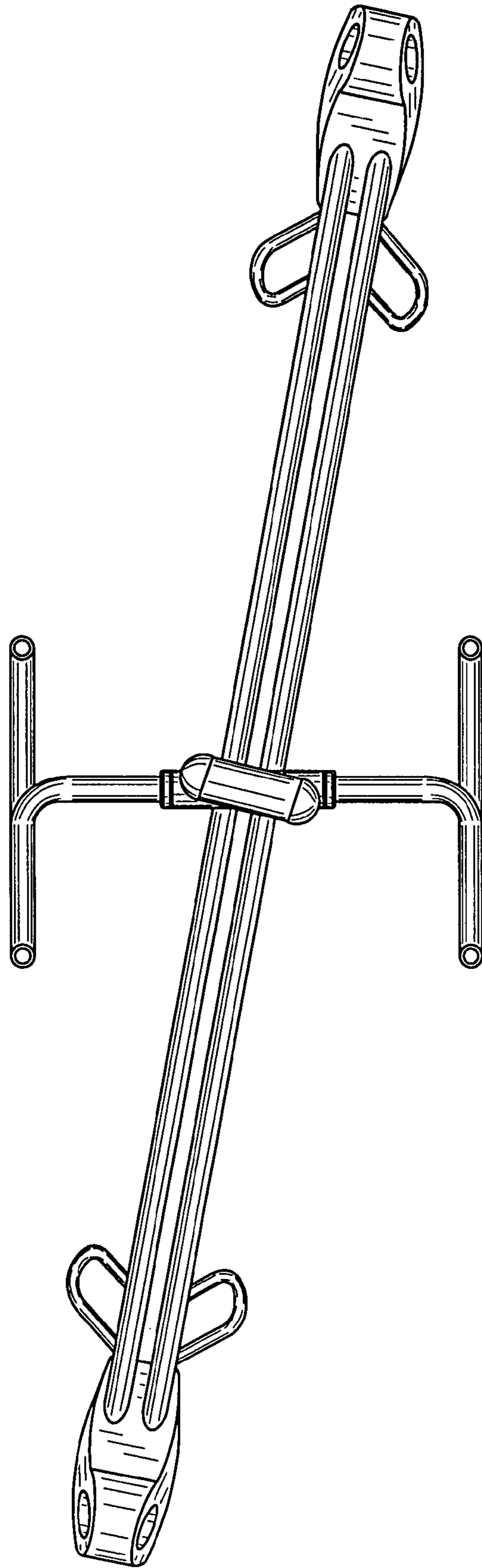


FIG. 5

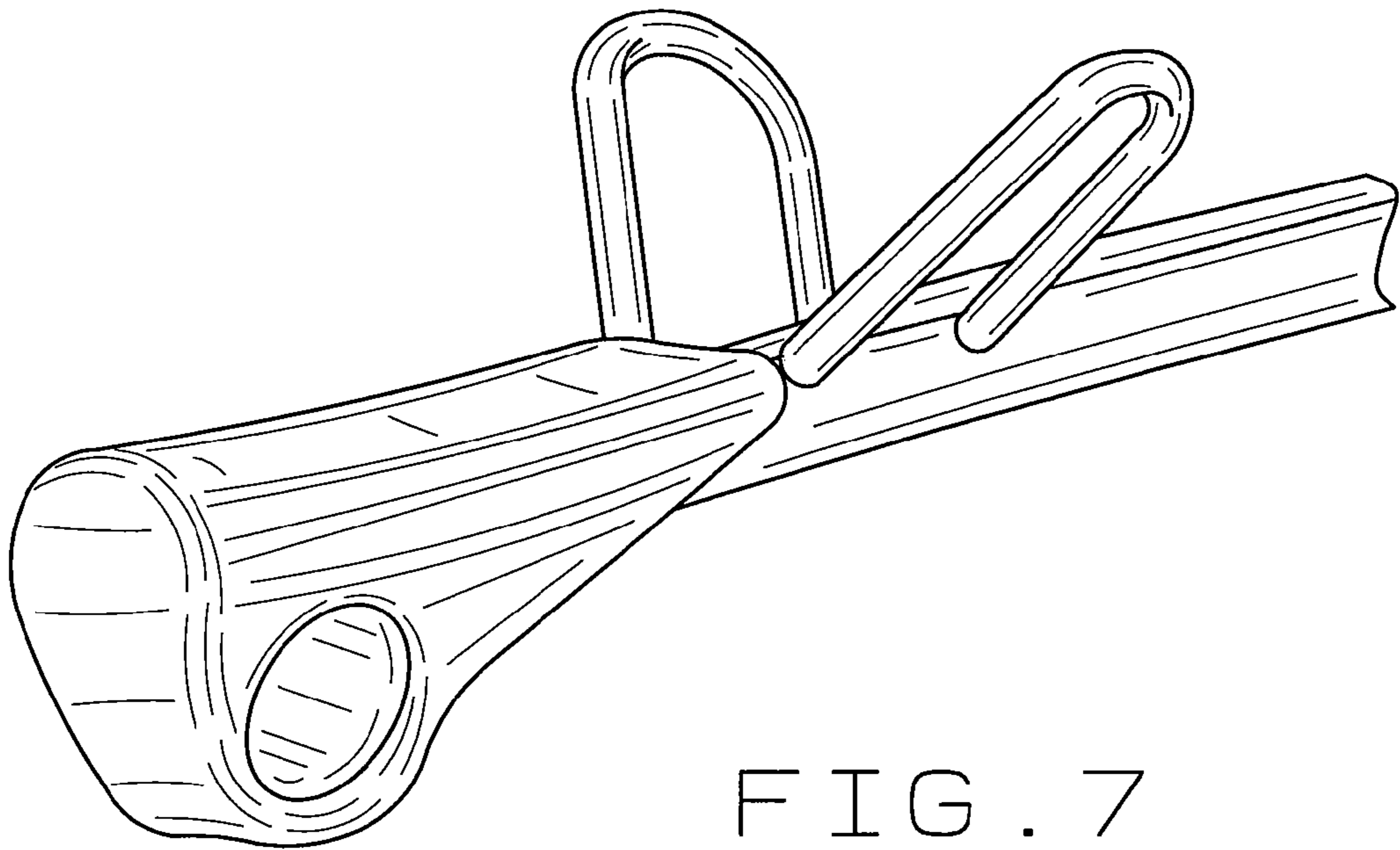


FIG. 7

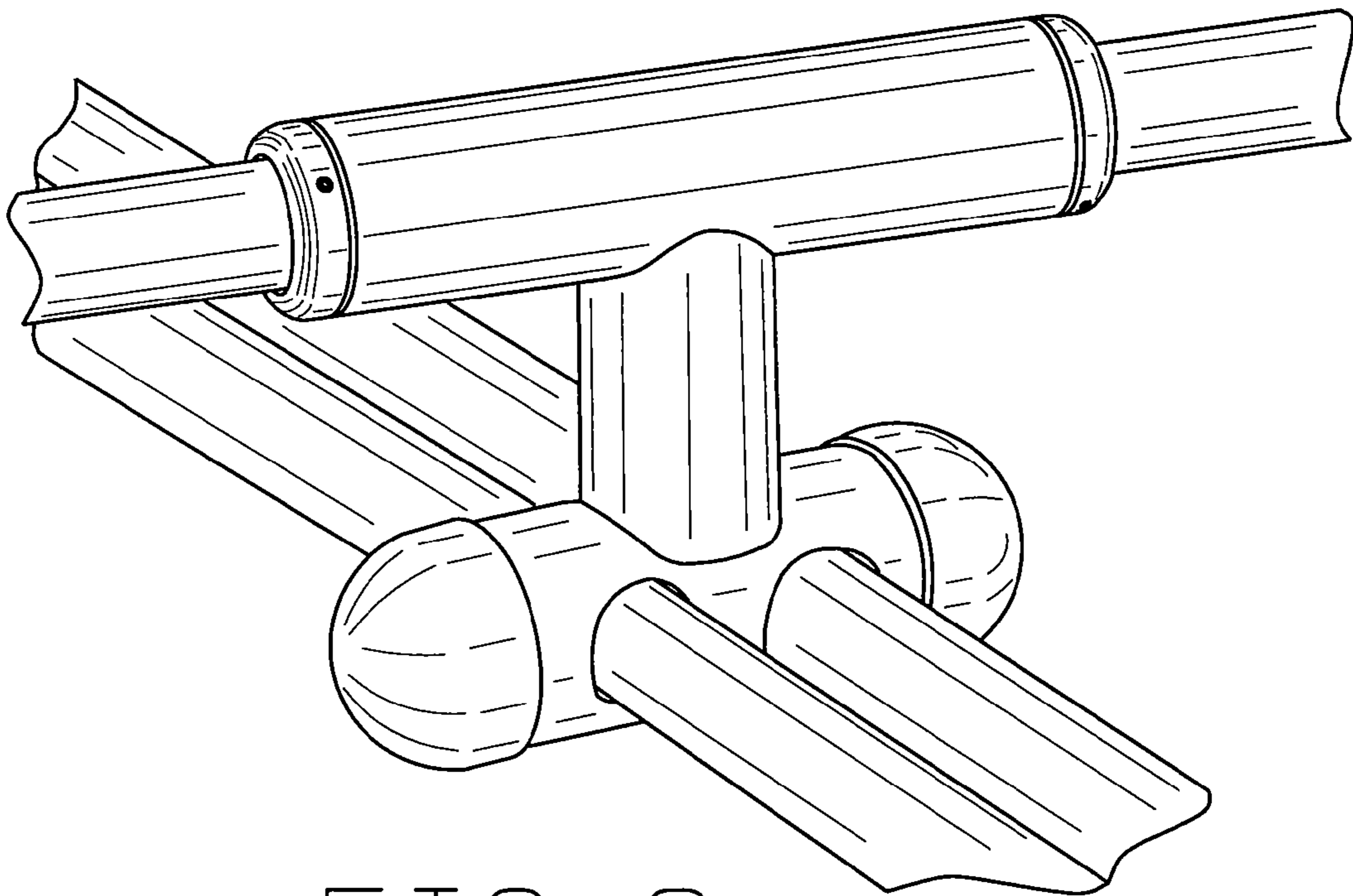


FIG. 8