



US00D550300S

(12) **United States Design Patent** (10) **Patent No.:** **US D550,300 S**
Luciano, Jr. et al. (45) **Date of Patent:** **** Sep. 4, 2007**

(54) **UNIVERSAL BUTTON MODULE**

(75) Inventors: **Robert A. Luciano, Jr.**, Reno, NV (US); **Michael J. Mitchell**, Las Vegas, NV (US)

(73) Assignee: **Bally Gaming International, Inc.**, Las Vegas, NV (US)

(**) Term: **14 Years**

(21) Appl. No.: **29/276,743**

(22) Filed: **Feb. 2, 2007**

Related U.S. Application Data

(62) Division of application No. 29/227,661, filed on Apr. 14, 2005.

(51) **LOC (8) Cl.** **21-01**

(52) **U.S. Cl.** **D21/385; D21/369**

(58) **Field of Classification Search** D8/350;
D13/168, 171; D21/369-371, 385, 374;
200/314-315, 341, 520, 530, 552; 463/37,
463/46-47; D14/246

See application file for complete search history.

(56) **References Cited**

U.S. PATENT DOCUMENTS

3,267,926	A *	8/1966	Prince	200/314
3,335,232	A *	8/1967	Lund	D14/246
D209,670	S *	12/1967	Hagelbarger	D14/246
D222,550	S *	11/1971	Faltico	D21/374
D317,137	S *	5/1991	Kulikowski et al.	D10/108
5,853,326	A *	12/1998	Goto et al.	463/37
D406,568	S *	3/1999	Harmuth et al.	D13/168
6,365,855	B1 *	4/2002	Sutter et al.	200/314
D516,045	S *	2/2006	Street	D13/171
D519,570	S *	4/2006	Amaitis et al.	D21/370
2005/0130753	A1 *	6/2005	Giroux	473/4

* cited by examiner

Primary Examiner—Sandra L. Morris

(74) *Attorney, Agent, or Firm*—Steptoe & Johnson LLP

(57) **CLAIM**

The ornamental design for a universal button module, as shown and described.

DESCRIPTION

This application is also related to co-pending U.S. Design patent application Ser. Nos. 29/276,739, 29/276,740, 29/276,741, 29/276,742, 29/276,745, 29/276,746, 29/276,747, 29/276,748, 29/276,749, 29/276,750, 29/276,751, concurrently filed on Feb. 2, 2007, and also entitled “Universal Button Module”.

FIG. 1 is an perspective view of a universal button module showing our new design;

FIG. 2 is a top planar view of the universal button module shown in FIG. 1;

FIG. 3 is a front elevational view of the universal button module shown in FIG. 1;

FIG. 4 is a left side elevational view of the universal button module shown in FIG. 1;

FIG. 5 is a right side elevational view of the universal button module shown in FIG. 1;

FIG. 6 is a perspective view of an alternate embodiment of the design shown in FIG. 1;

FIG. 7 is a front perspective view of a universal button module showing our new design;

FIG. 8 is a top planar view of the universal button module shown in FIG. 7;

FIG. 9 is a front elevational view of the universal button module shown in FIG. 7;

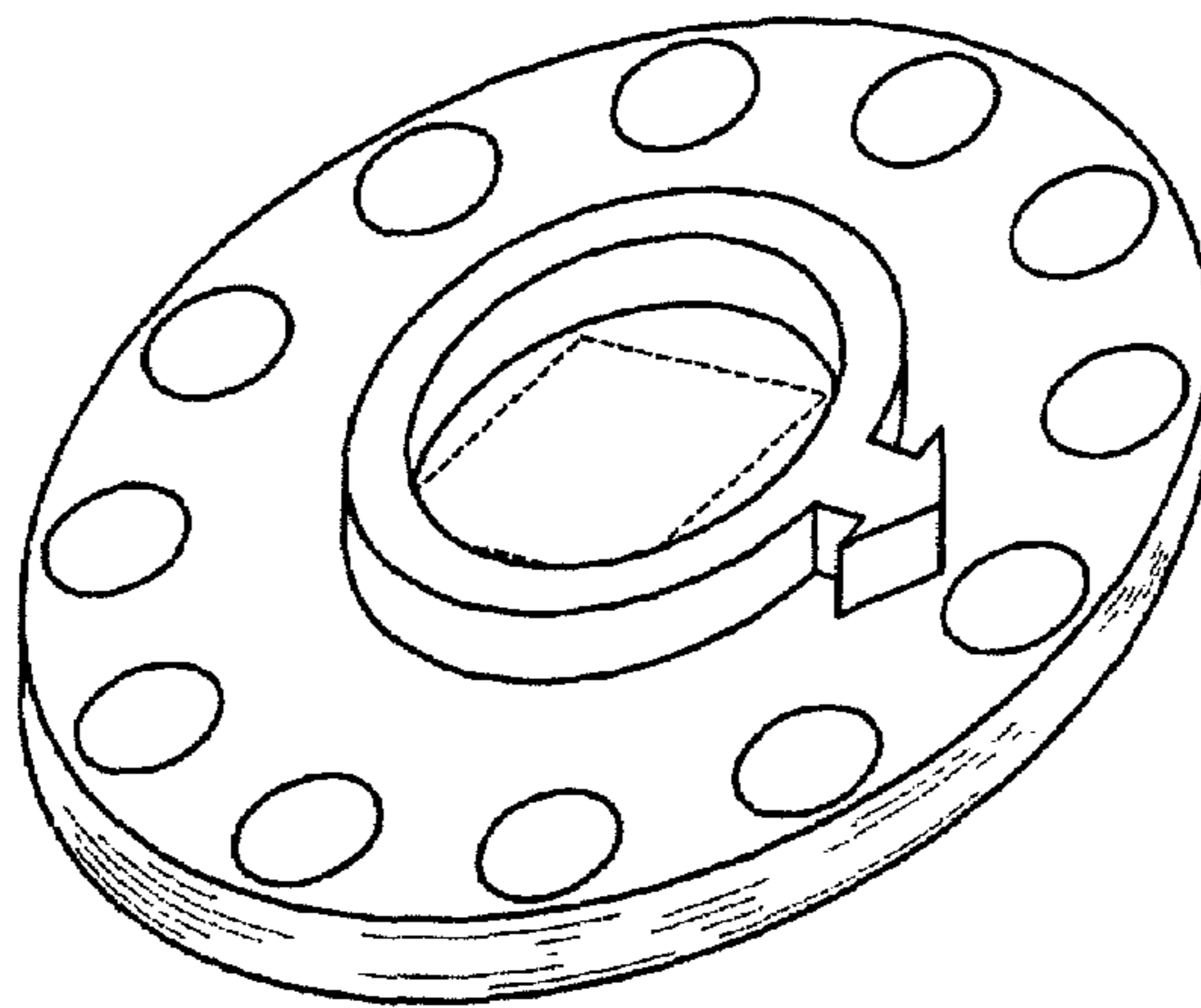
FIG. 10 is a left side elevational view of the universal button module shown in FIG. 7;

FIG. 11 is a right side elevational view of the universal button module shown in FIG. 7; and,

FIG. 12 is a perspective view of an alternate embodiment of the design shown in FIG. 7.

The broken lines showing a button display in FIGS. 1 and 2, and the broken lines showing a partial gaming device in FIGS. 6 and 12 are for illustrative purposes only and form no part of the claimed design.

1 Claim, 4 Drawing Sheets



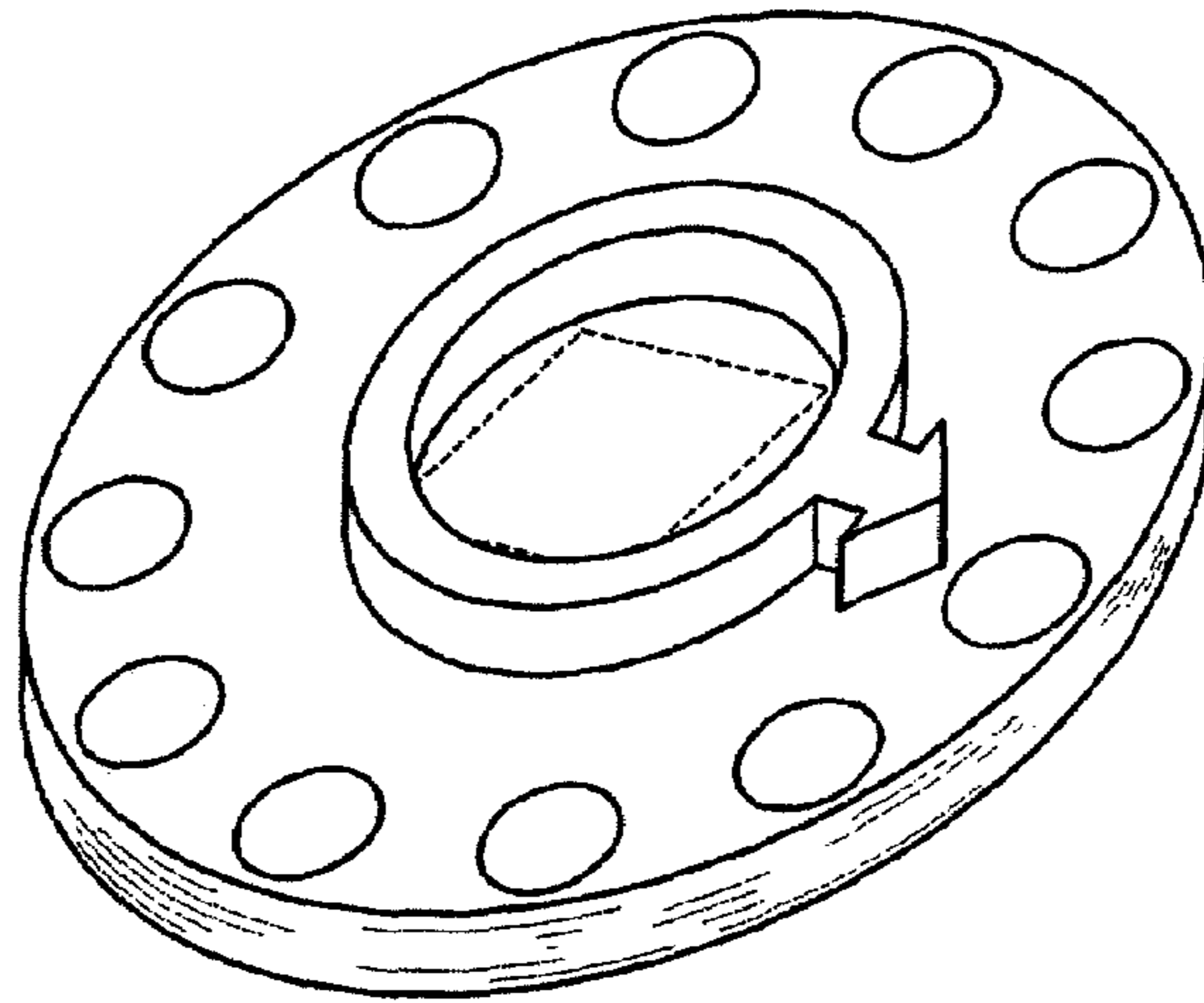


FIG. 1

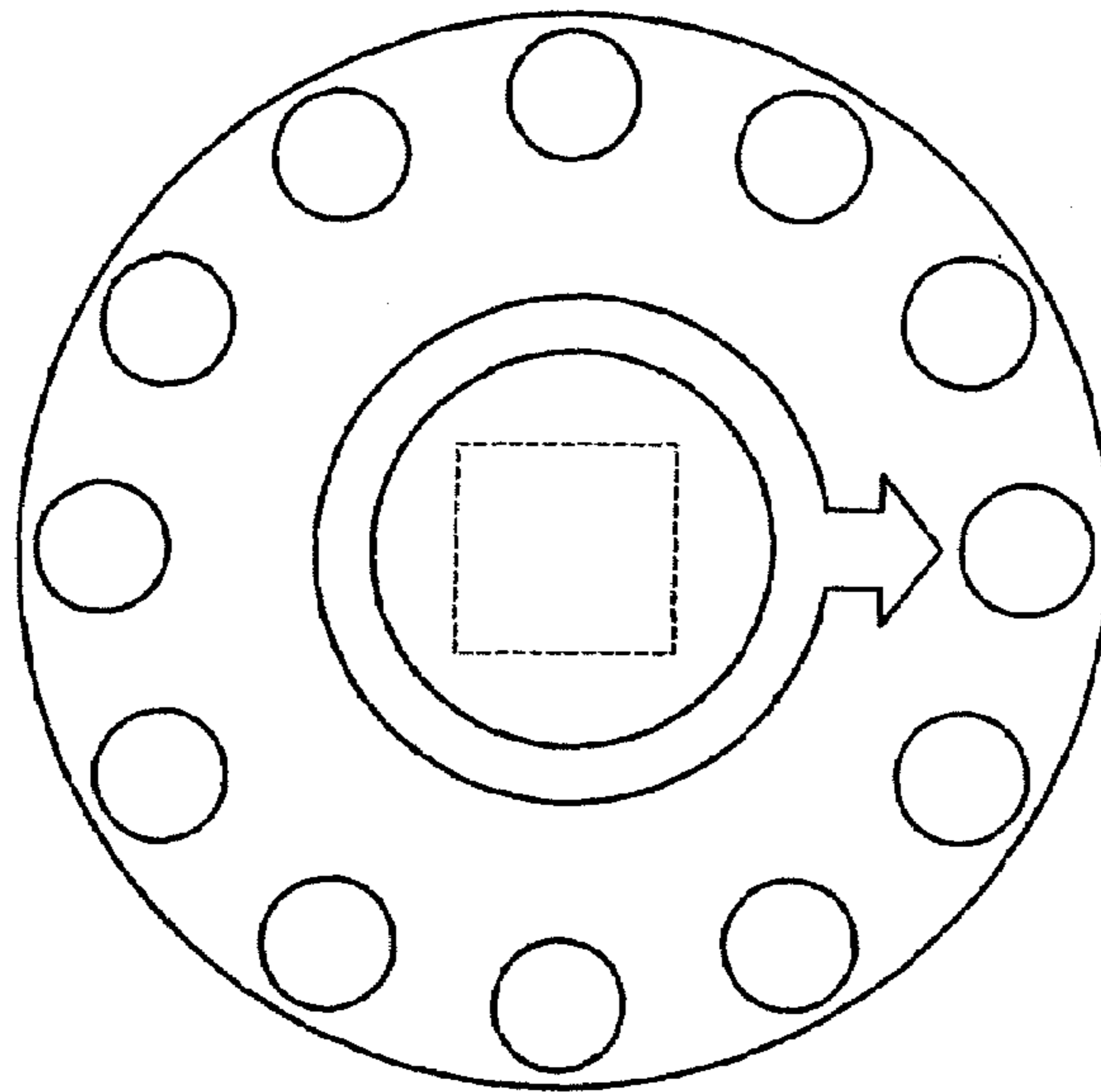


FIG. 2

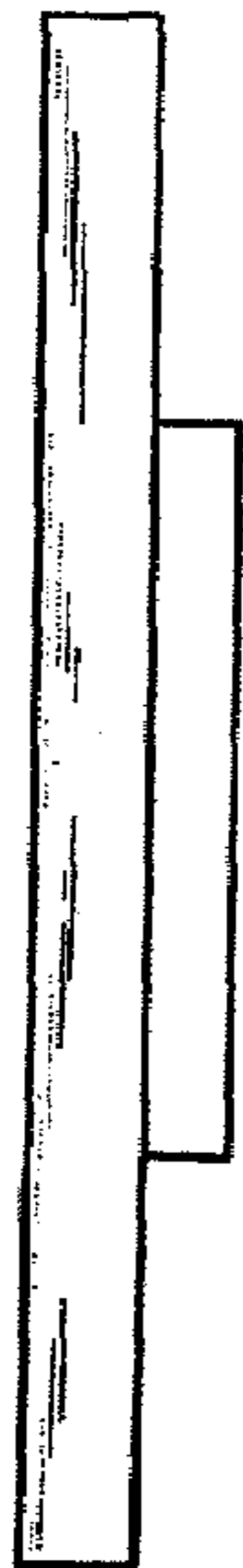


FIG. 4

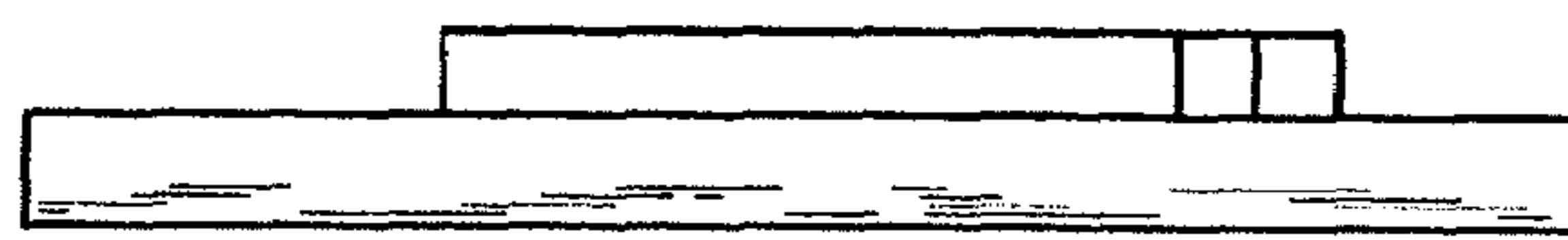


FIG. 3

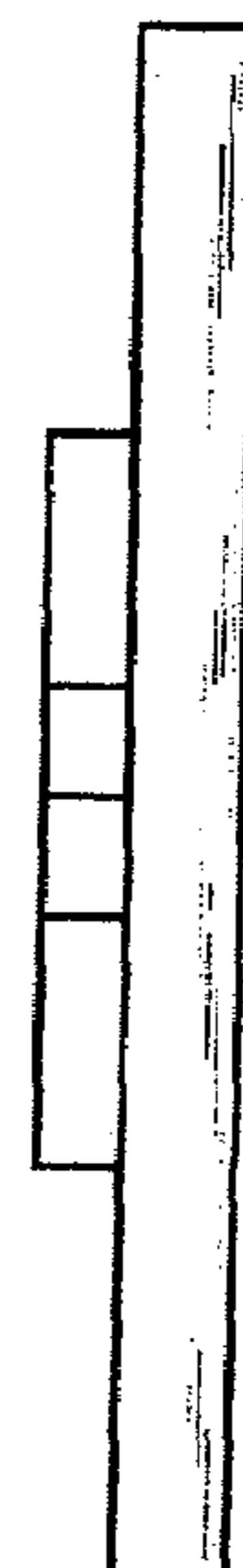


FIG. 5

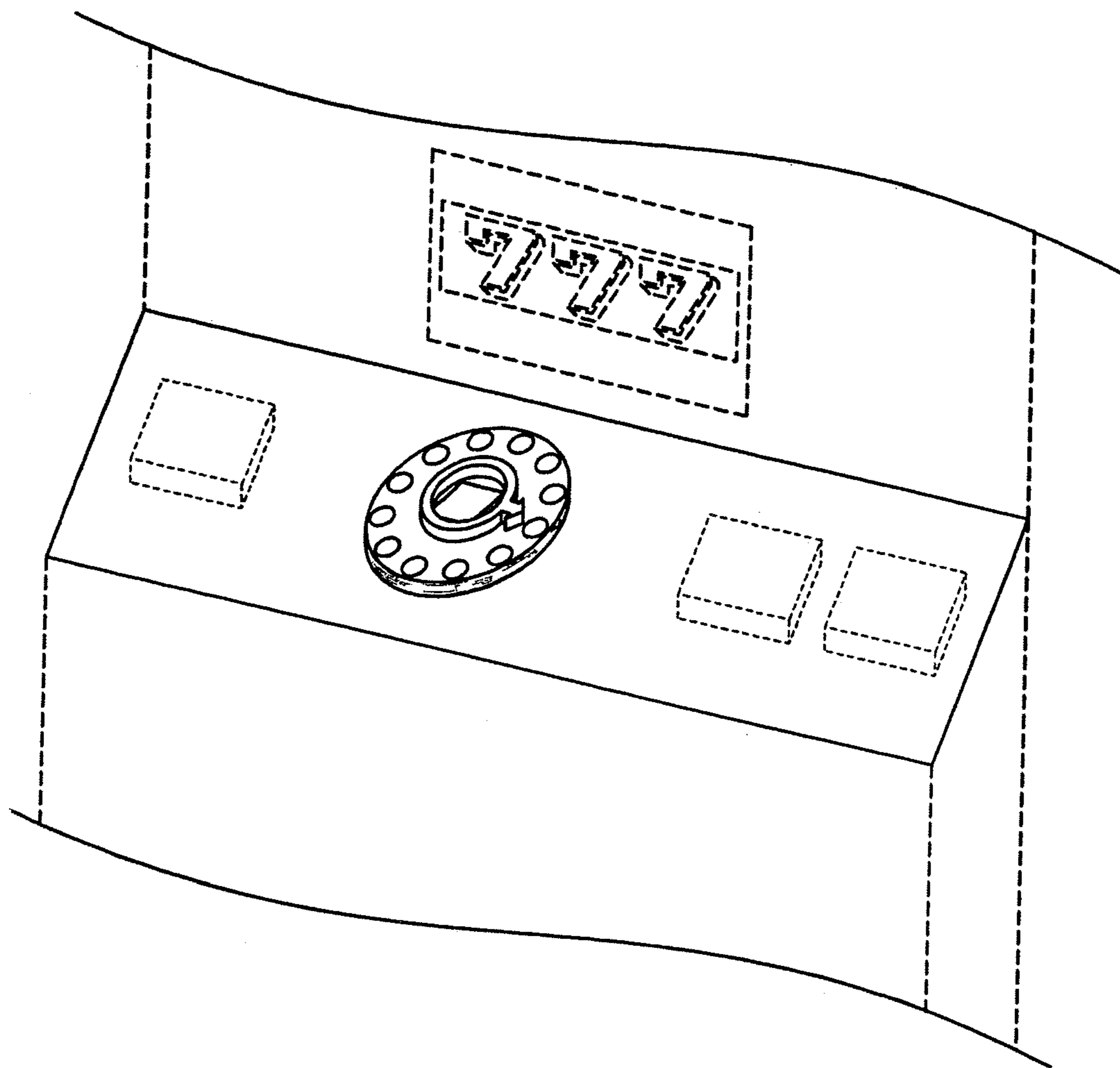


FIG. 6

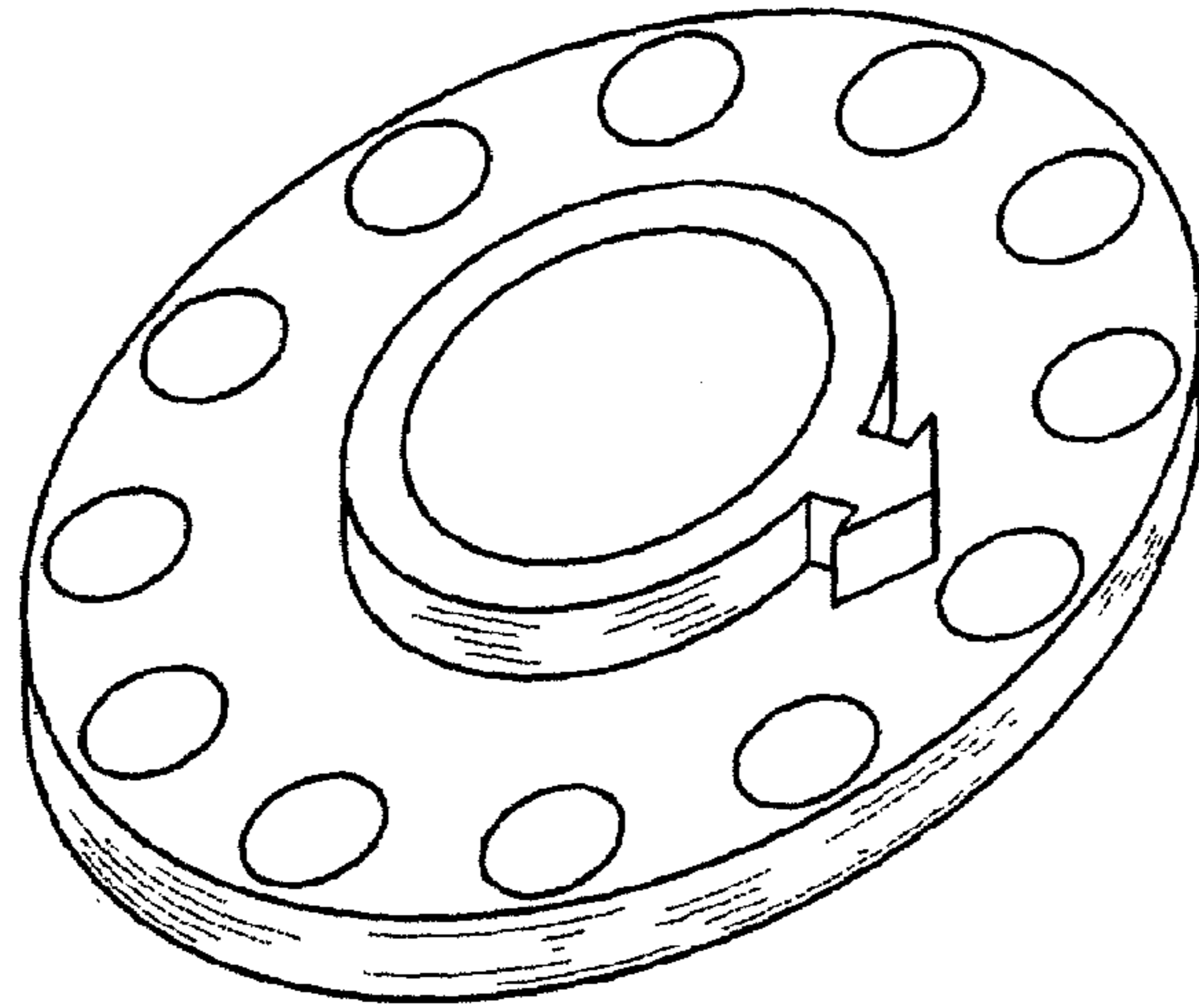


FIG. 7

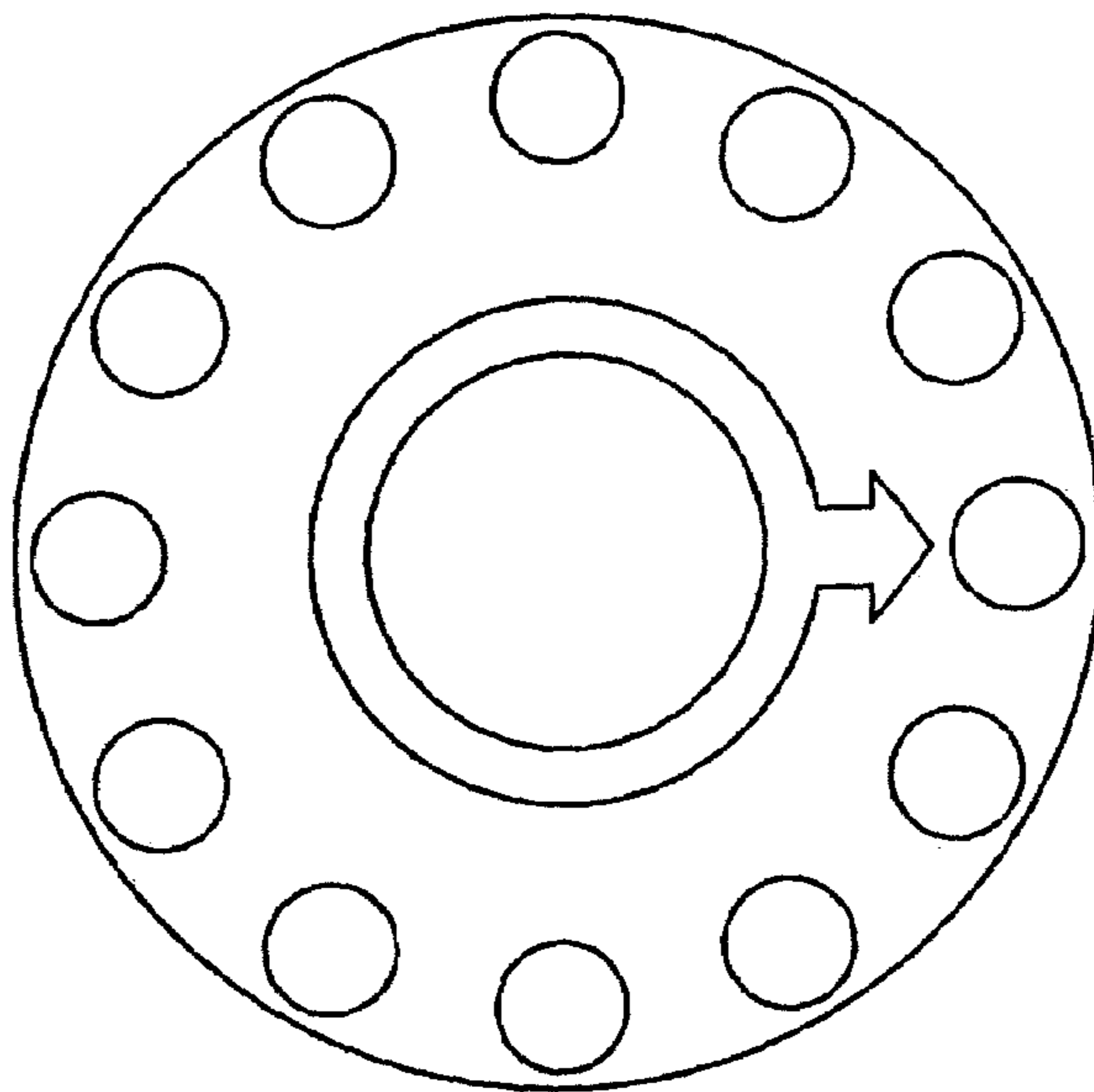


FIG. 8



FIG. 10

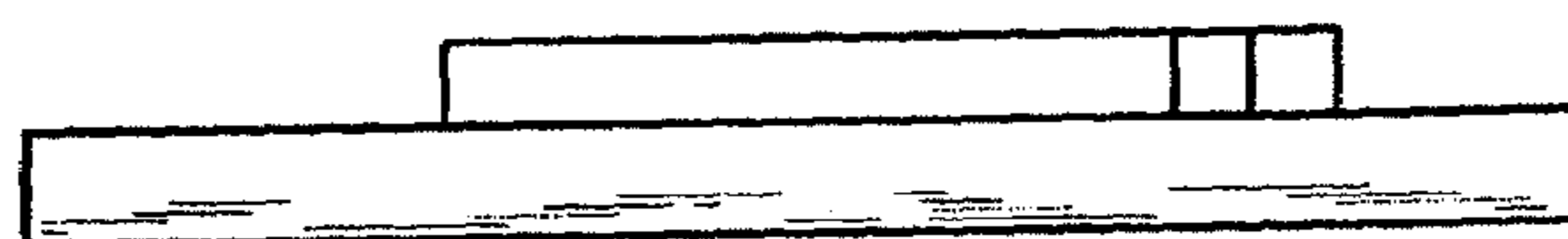


FIG. 9



FIG. 11

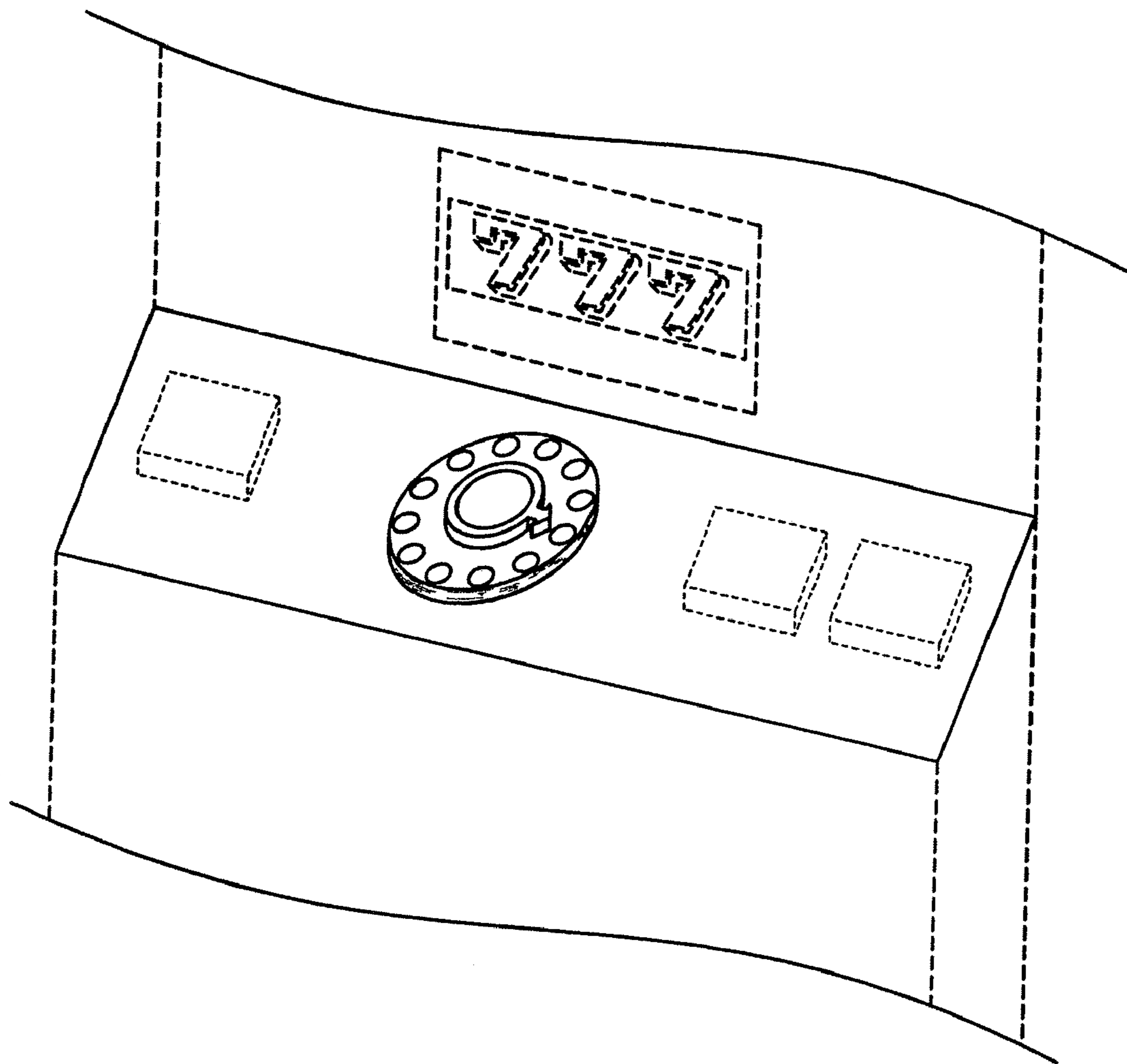


FIG. 12