



US00D550292S

(12) **United States Design Patent**
Crawford

(10) **Patent No.:** **US D550,292 S**

(45) **Date of Patent:** **** Sep. 4, 2007**

(54) **RESTAURANT ORDER SLIP HOLDER**

D390,883 S * 2/1998 Watkins et al. D20/43
5,896,624 A * 4/1999 Horswell 24/67.5

(76) Inventor: **Donald F. Crawford**, 119 Crest Dr.,
Ephrata, WA (US) 98823

* cited by examiner

(**) Term: **14 Years**

Primary Examiner—Robert M. Spear

Assistant Examiner—Mary Ann Calabrese

(21) Appl. No.: **29/262,981**

(74) *Attorney, Agent, or Firm*—William A. Jeckle; Keith S.
Bergman

(22) Filed: **Jul. 17, 2006**

(57) **CLAIM**

(51) **LOC (8) Cl.** **20-03**

The ornamental design for a restaurant order slip holder, as
shown.

(52) **U.S. Cl.** **D20/43**

(58) **Field of Classification Search** D20/10,
D20/19, 41-43, 99; 40/341, 356, 358, 642.02,
40/647, 657, 658, 661, 661.01, 662, 666;
283/56, 81; D19/75, 86, 88, 90; D8/394,
D8/395; 248/300, 488; 24/67.5
See application file for complete search history.

DESCRIPTION

FIG. 1 is an isometric front and left side view of the
restaurant order slip holder showing my design;

FIG. 2 is an inverted back, bottom and right side isometric
view thereof;

FIG. 3 is a top view thereof;

FIG. 4 is a bottom view thereof;

FIG. 5 is a back view thereof;

FIG. 6 is a front view thereof;

FIG. 7 is a right side view thereof; and,

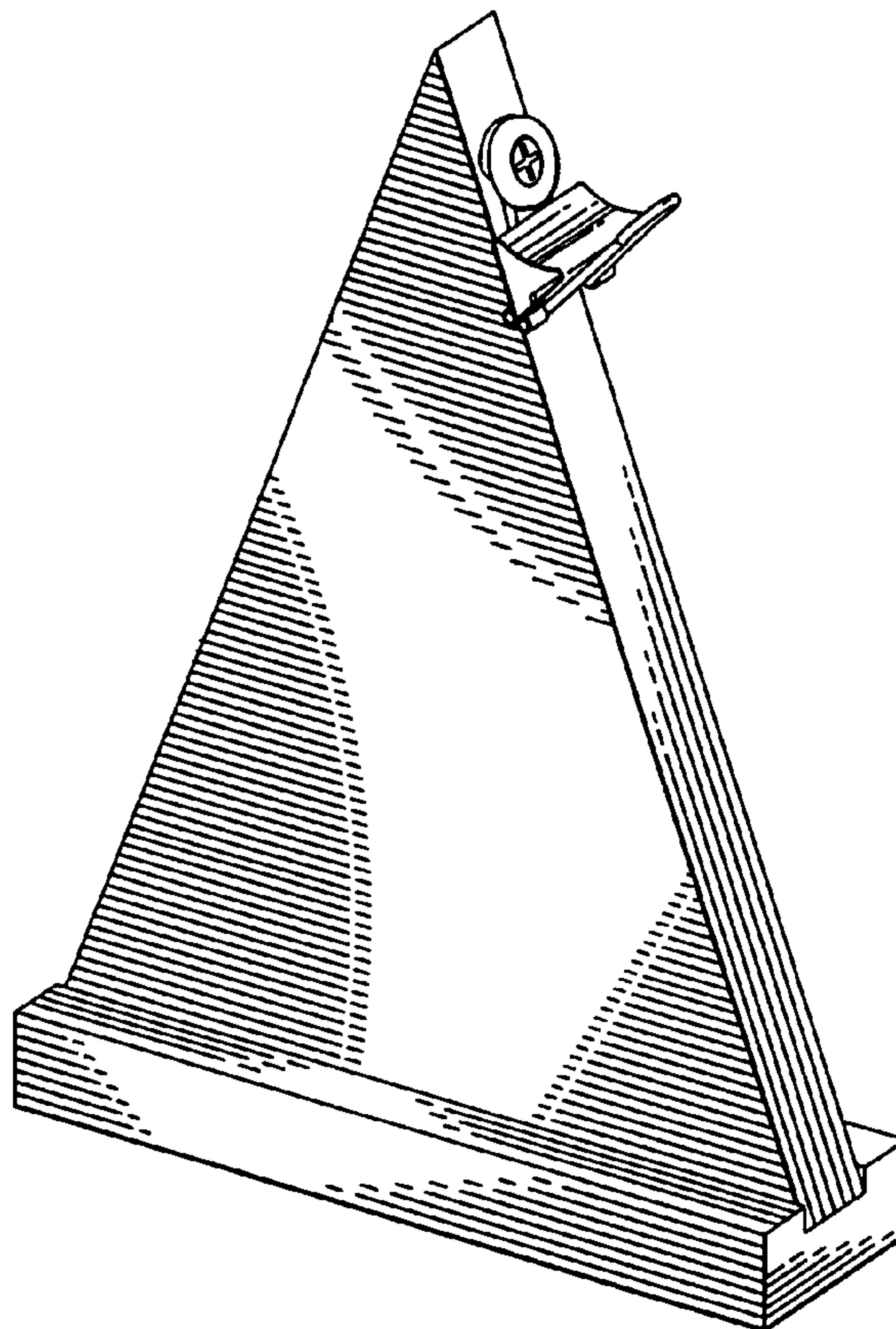
FIG. 8 is a left side view thereof.

(56) **References Cited**

U.S. PATENT DOCUMENTS

D156,987	S *	1/1950	Newton	D8/395
2,825,160	A *	3/1958	Mellor et al.	40/661.01
2,939,660	A *	6/1960	Aitkens	248/488
3,449,850	A *	6/1969	Eckert	40/356
D252,578	S *	8/1979	Charowhas	D19/86
4,195,429	A *	4/1980	Wegner	40/356
D307,301	S *	4/1990	Kraus	D20/42

1 Claim, 2 Drawing Sheets



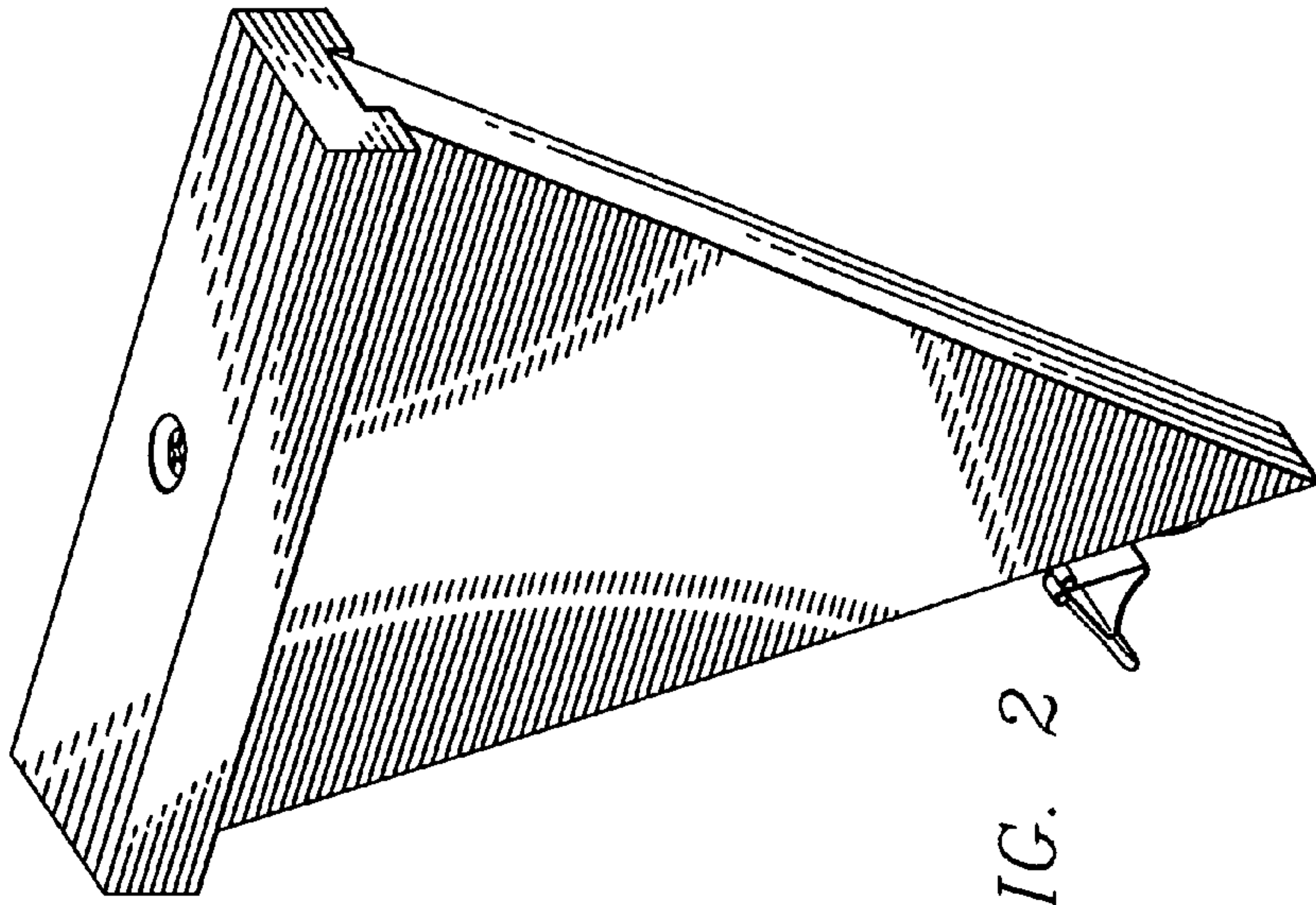


FIG. 1

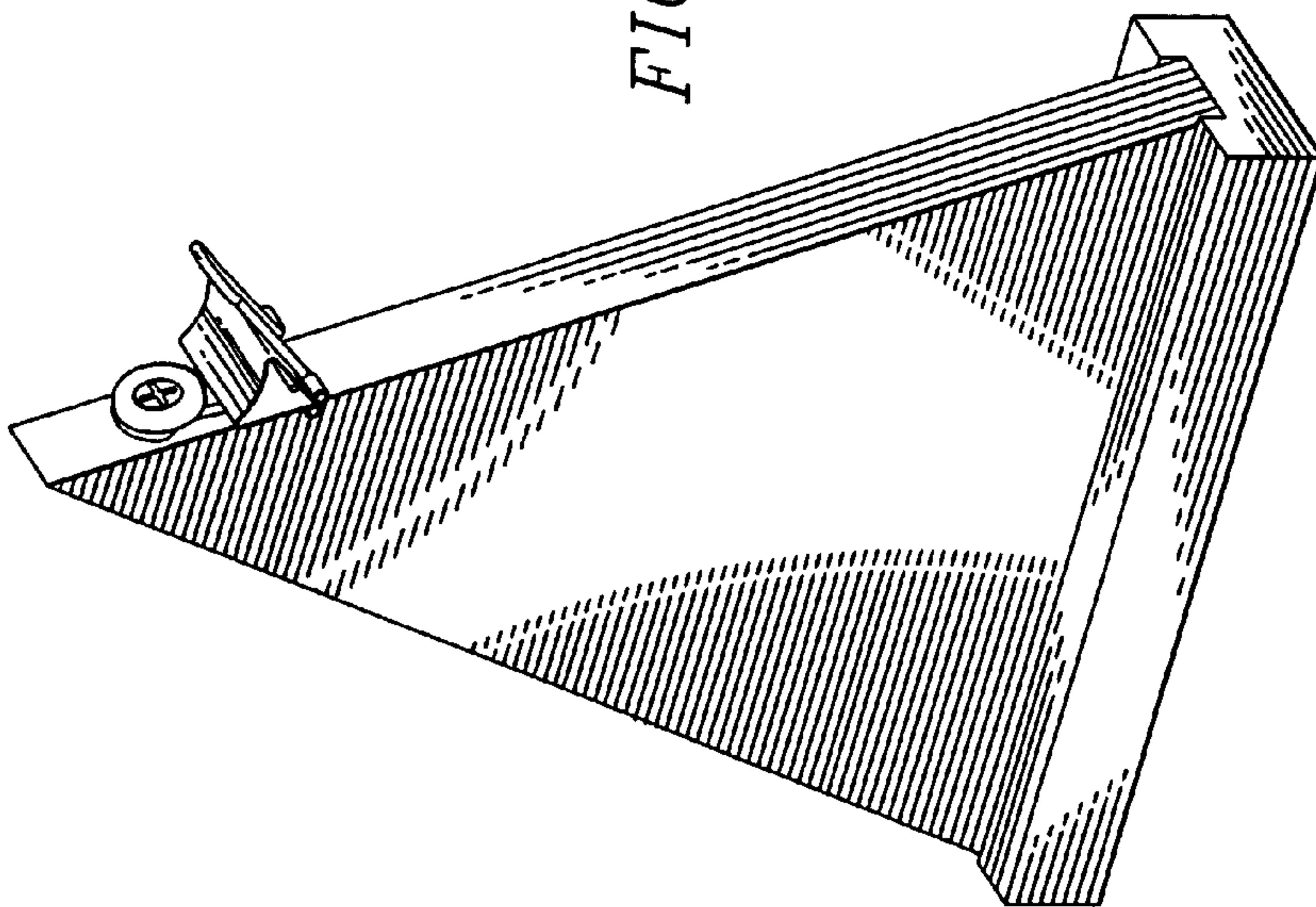


FIG. 2

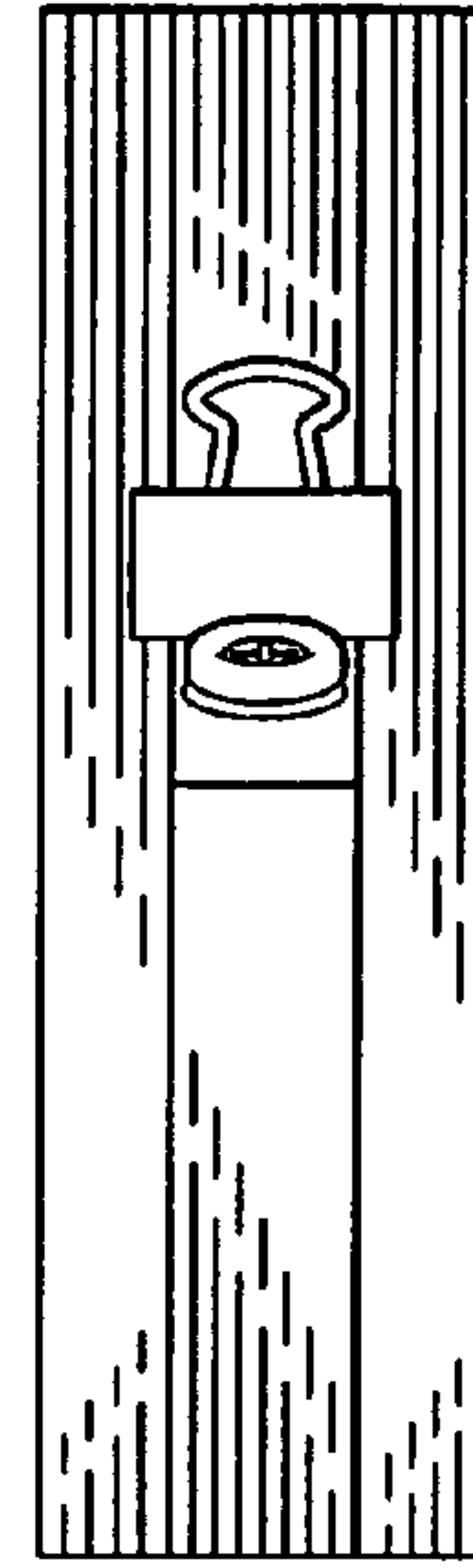


FIG. 3

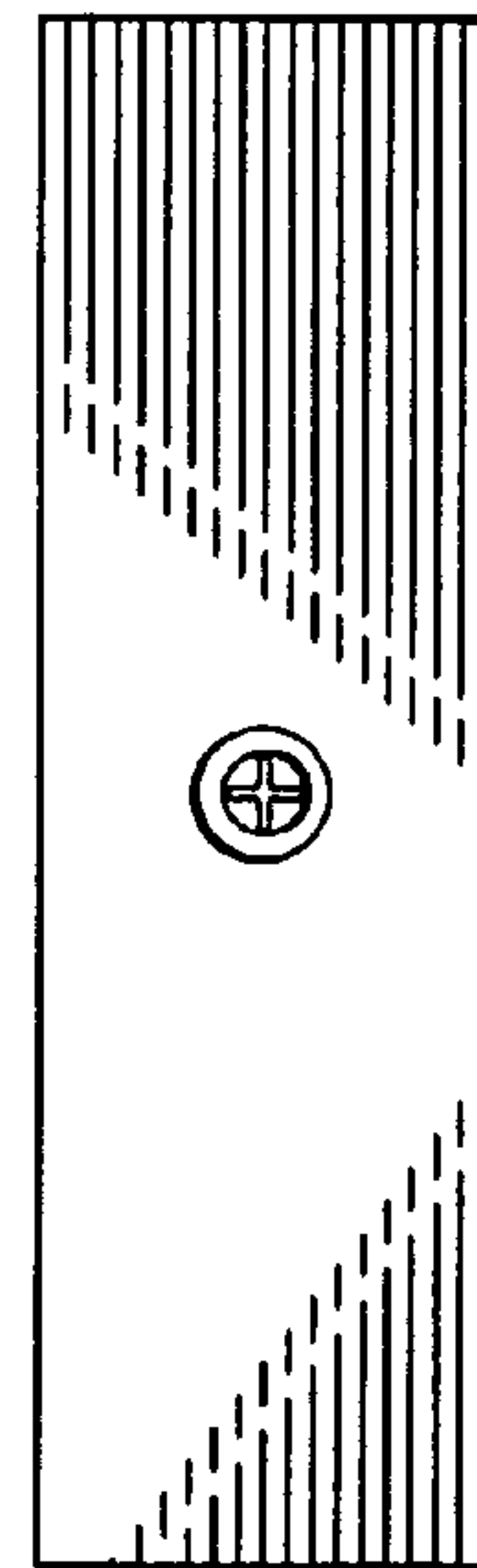


FIG. 4

FIG. 5

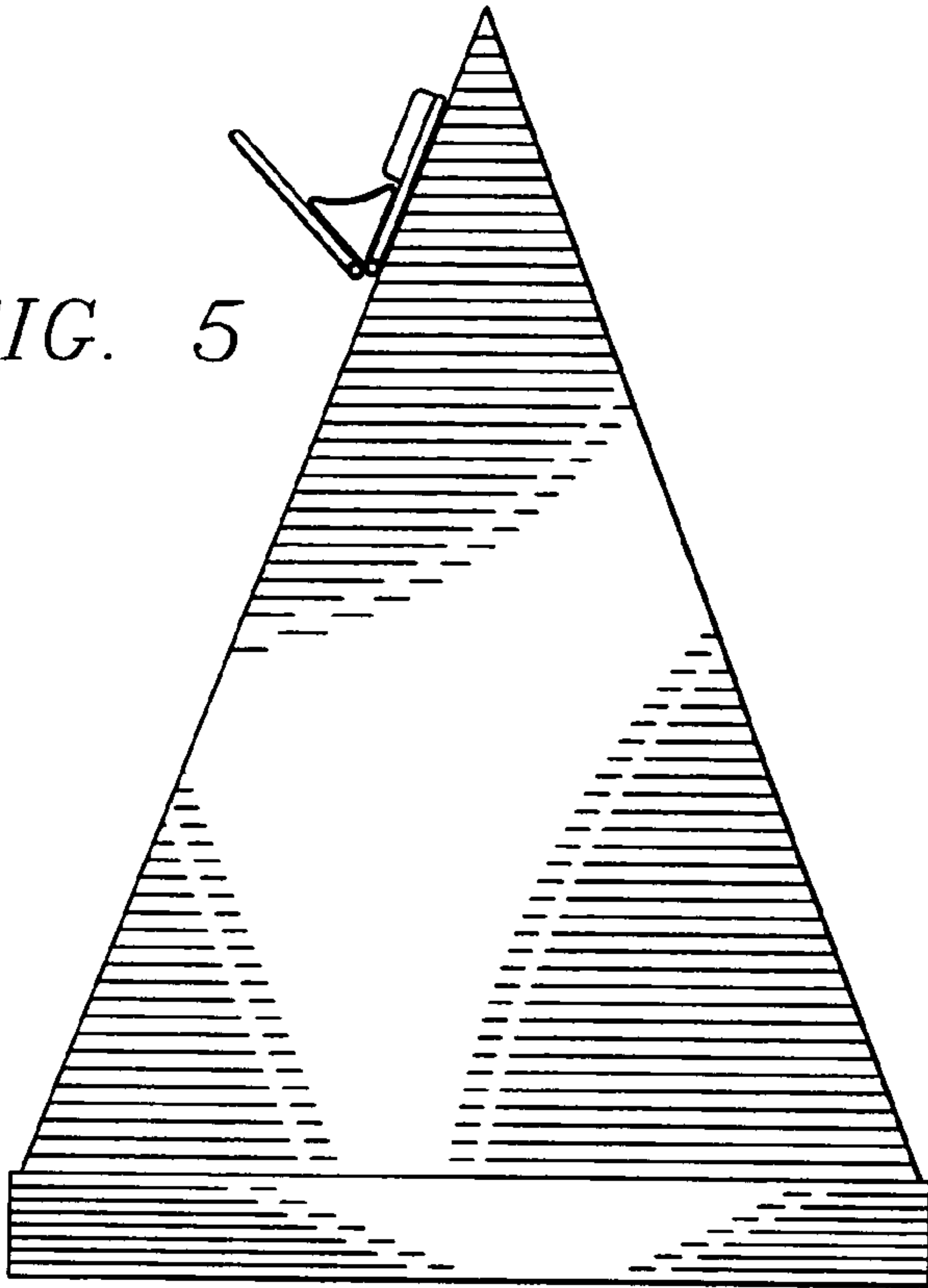


FIG. 7

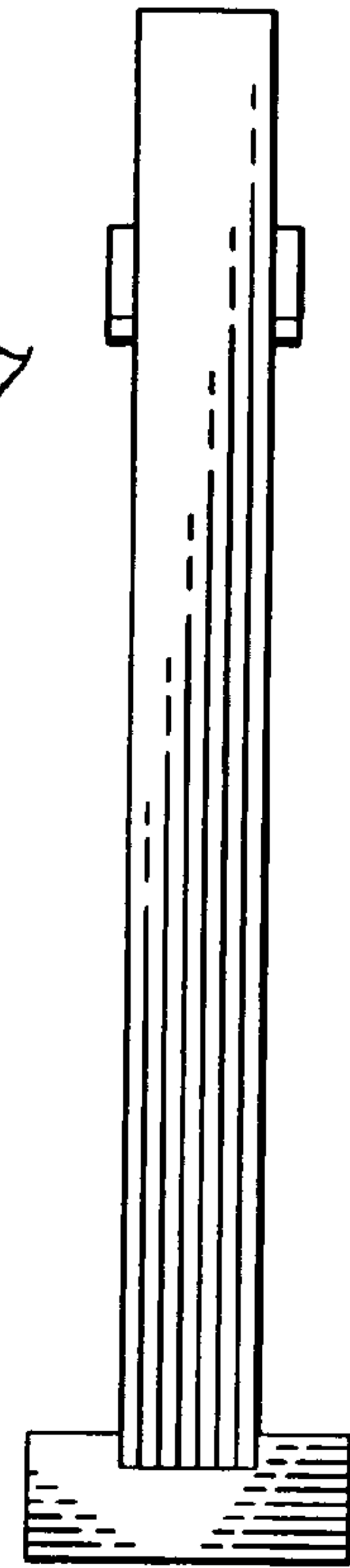


FIG. 6

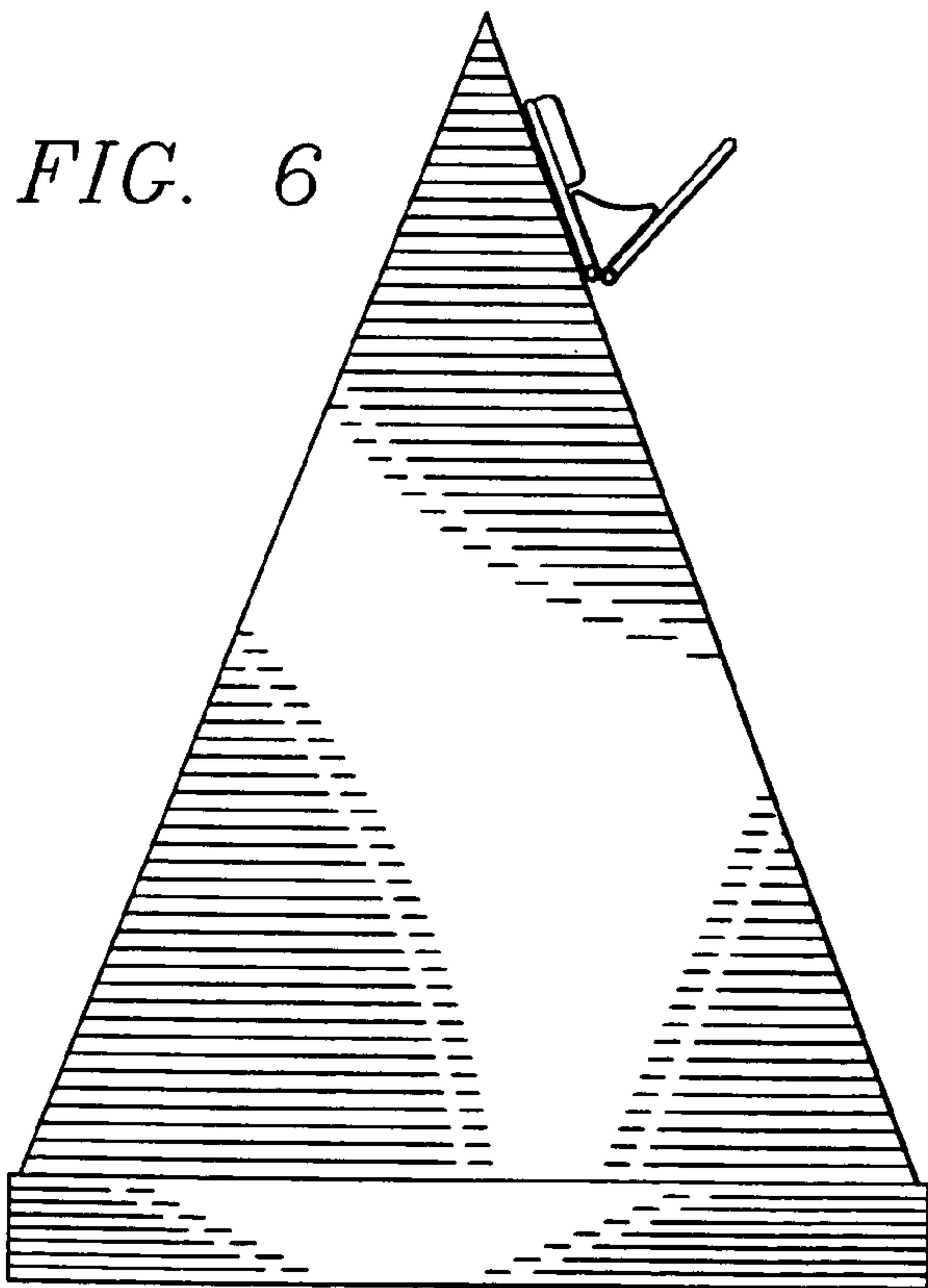


FIG. 8

