



US00D550284S

(12) **United States Design Patent**
Goodman et al.

(10) **Patent No.:** **US D550,284 S**

(45) **Date of Patent:** **** Sep. 4, 2007**

(54) **FILE ORGANIZER**

(75) Inventors: **Sheldon H. Goodman**, 30905 Stratford, Solon, OH (US) 44139; **Kent W. Murphy**, Wooster, OH (US)

(73) Assignee: **Sheldon H. Goodman**, Solon, OH (US)

(**) Term: **14 Years**

(21) Appl. No.: **29/225,031**

(22) Filed: **Mar. 10, 2005**

(51) **LOC (8) Cl.** **19-02**

(52) **U.S. Cl.** **D19/90**

(58) **Field of Classification Search** D6/468;
D19/75, 78, 86, 87, 90, 91, 92, 95; 206/215,
206/425, 449, 555, 556, 557; 211/11, 42,
211/50, 126.13, 126.16

See application file for complete search history.

(56) **References Cited**

U.S. PATENT DOCUMENTS

428,555 A	*	5/1890	Dom	211/11
D258,511 S	*	3/1981	Ashton	D19/90
D296,024 S	*	5/1988	Hayden	D32/55
D323,190 S	*	1/1992	Evenson	D19/90
D353,400 S	*	12/1994	Goodman et al.	D19/90

D390,269 S	*	2/1998	Fotioo	D19/90
D411,860 S	*	7/1999	Stravitz	D19/75
D421,062 S		2/2000	Goodman et al.		
D421,272 S	*	2/2000	Patel	D19/90
D421,273 S		2/2000	Goodman et al.		
D432,171 S	*	10/2000	Stravitz	D19/90
D468,352 S	*	1/2003	Chen	D19/34.1
D478,355 S	*	8/2003	Chen	D19/90
D502,221 S	*	2/2005	Chen et al.	D19/90
2005/0230330 A1	*	10/2005	Killinger et al.	211/11

* cited by examiner

Primary Examiner—Elizabeth A. Albert

(74) *Attorney, Agent, or Firm*—Pearne & Gordon LLP

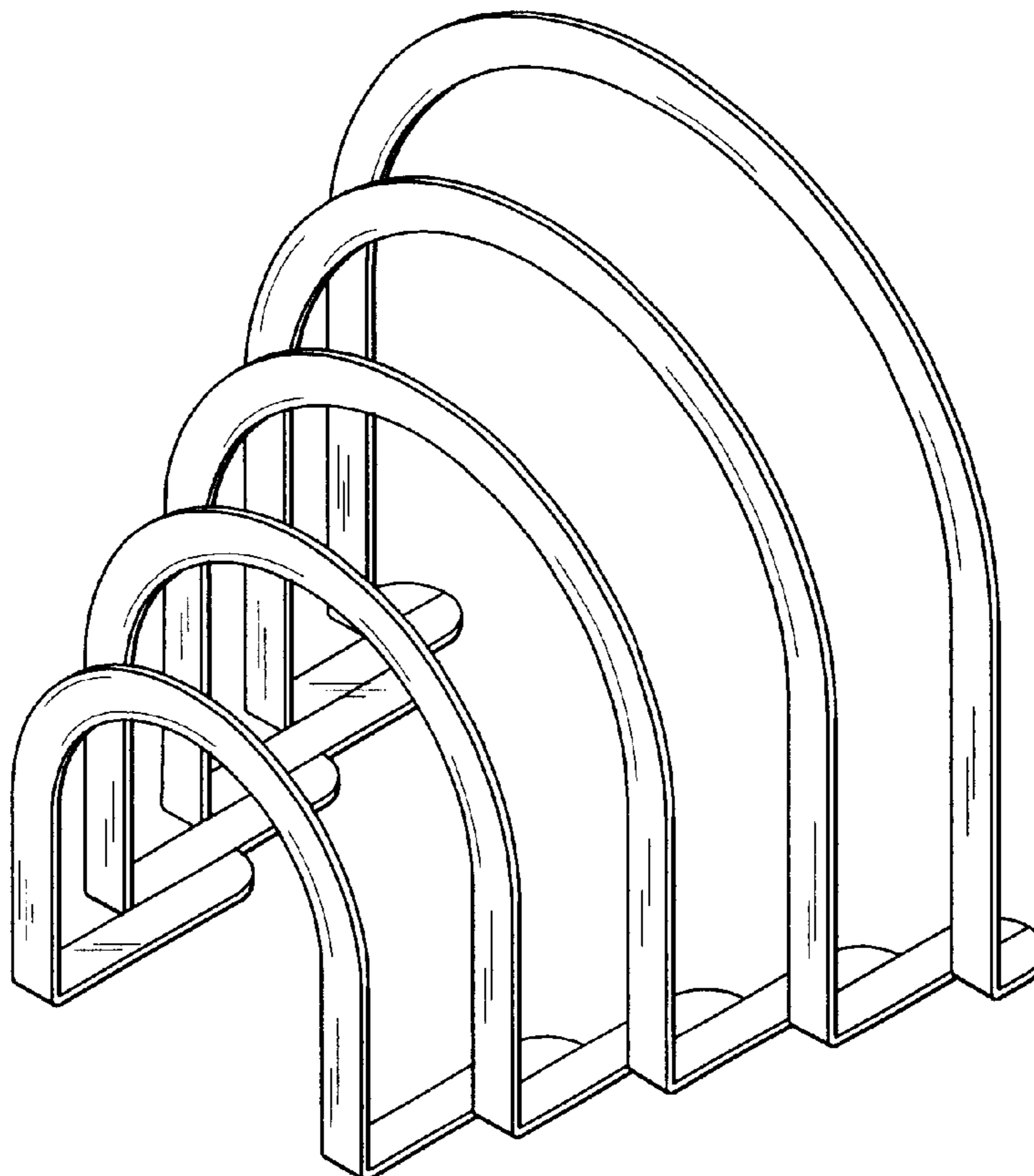
(57) **CLAIM**

The ornamental design for a file organizer, as shown and described.

DESCRIPTION

FIG. 1 is a front elevational view of a file organizer showing our new design;
FIG. 2 is a top plan view thereof;
FIG. 3 is a left side elevational view thereof, the right side elevational view being a mirror image thereof;
FIG. 4 is a bottom plan view thereof; and,
FIG. 5 is a perspective view thereof.

1 Claim, 3 Drawing Sheets



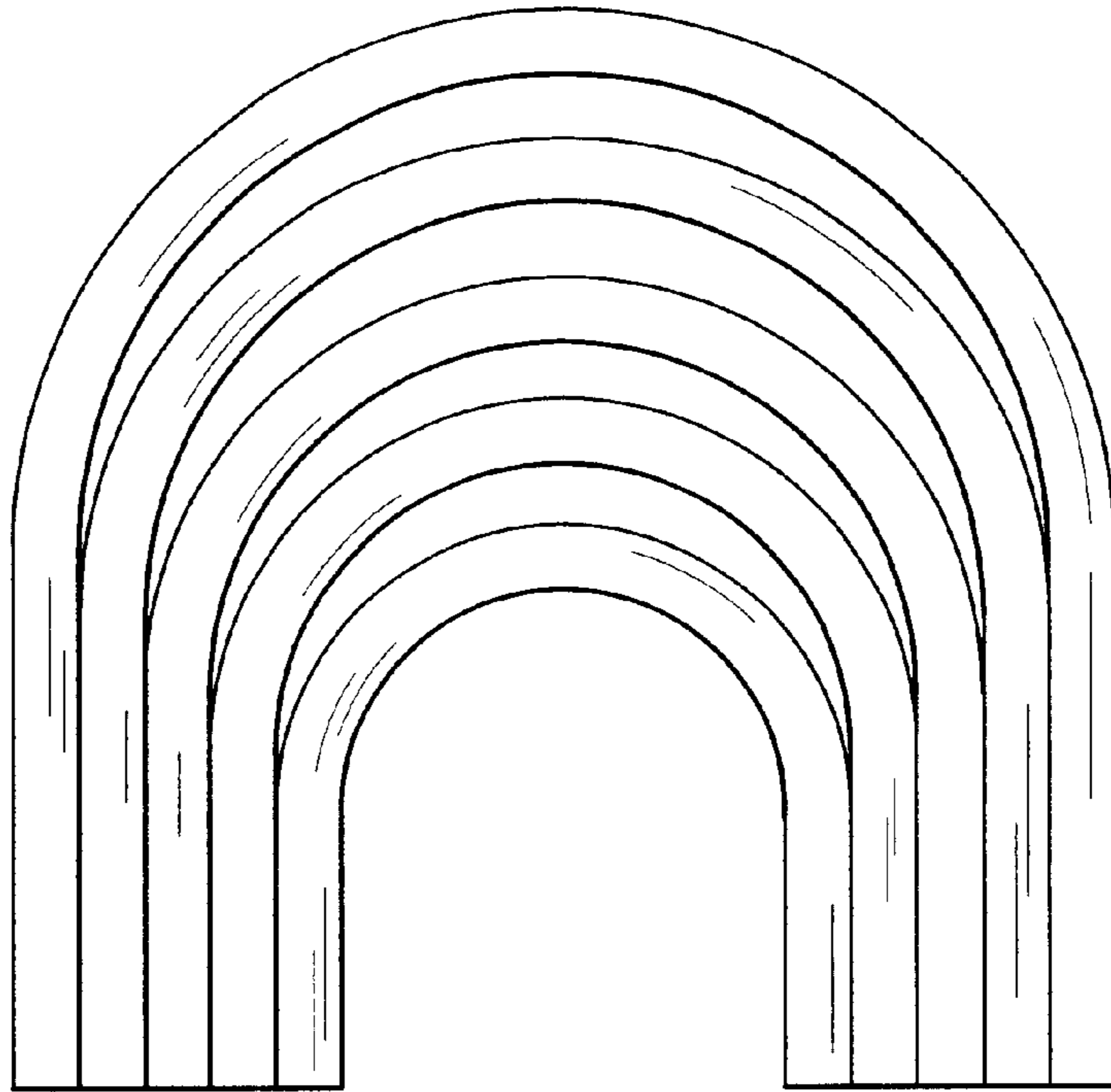


FIG. 1

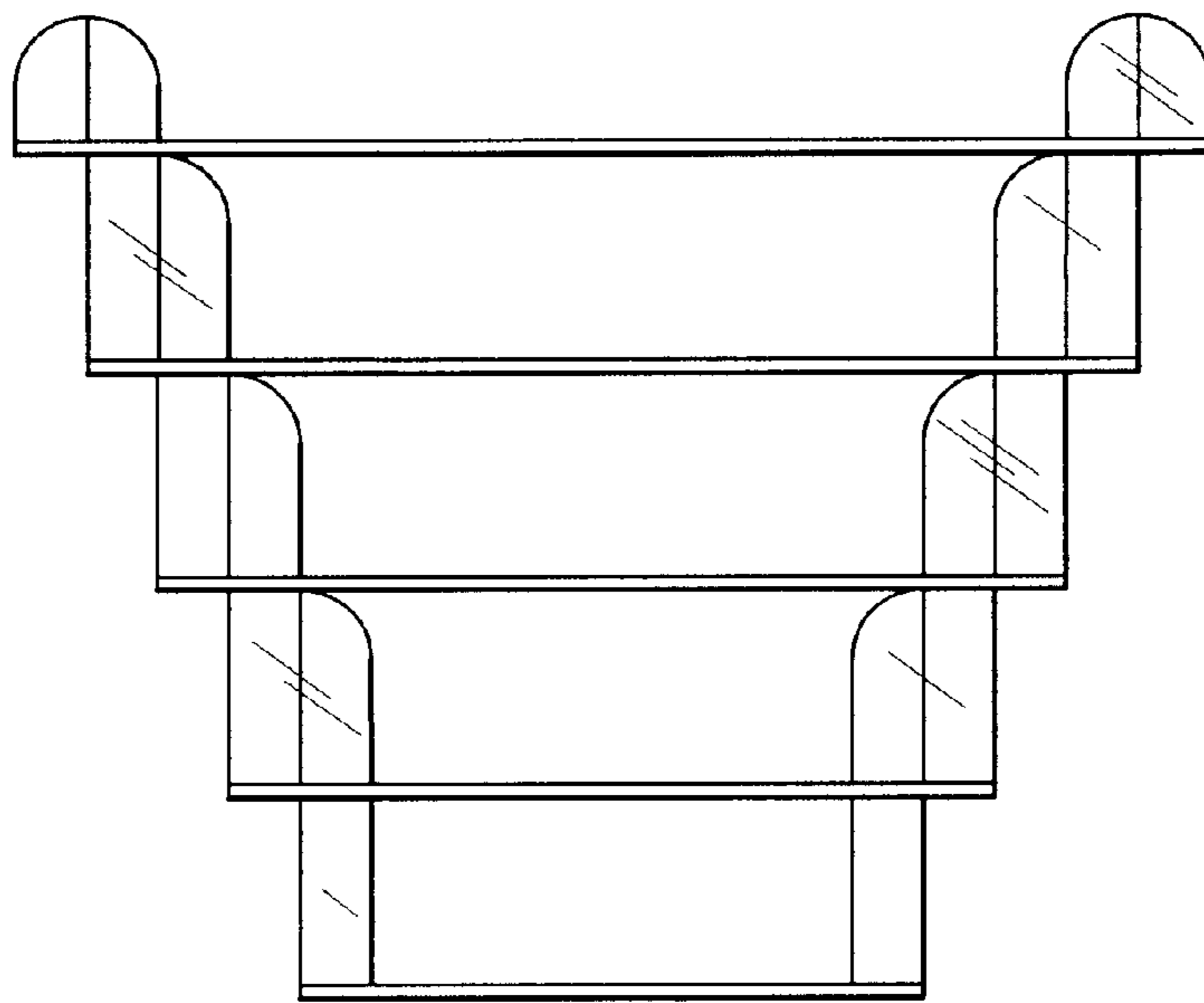


FIG. 2

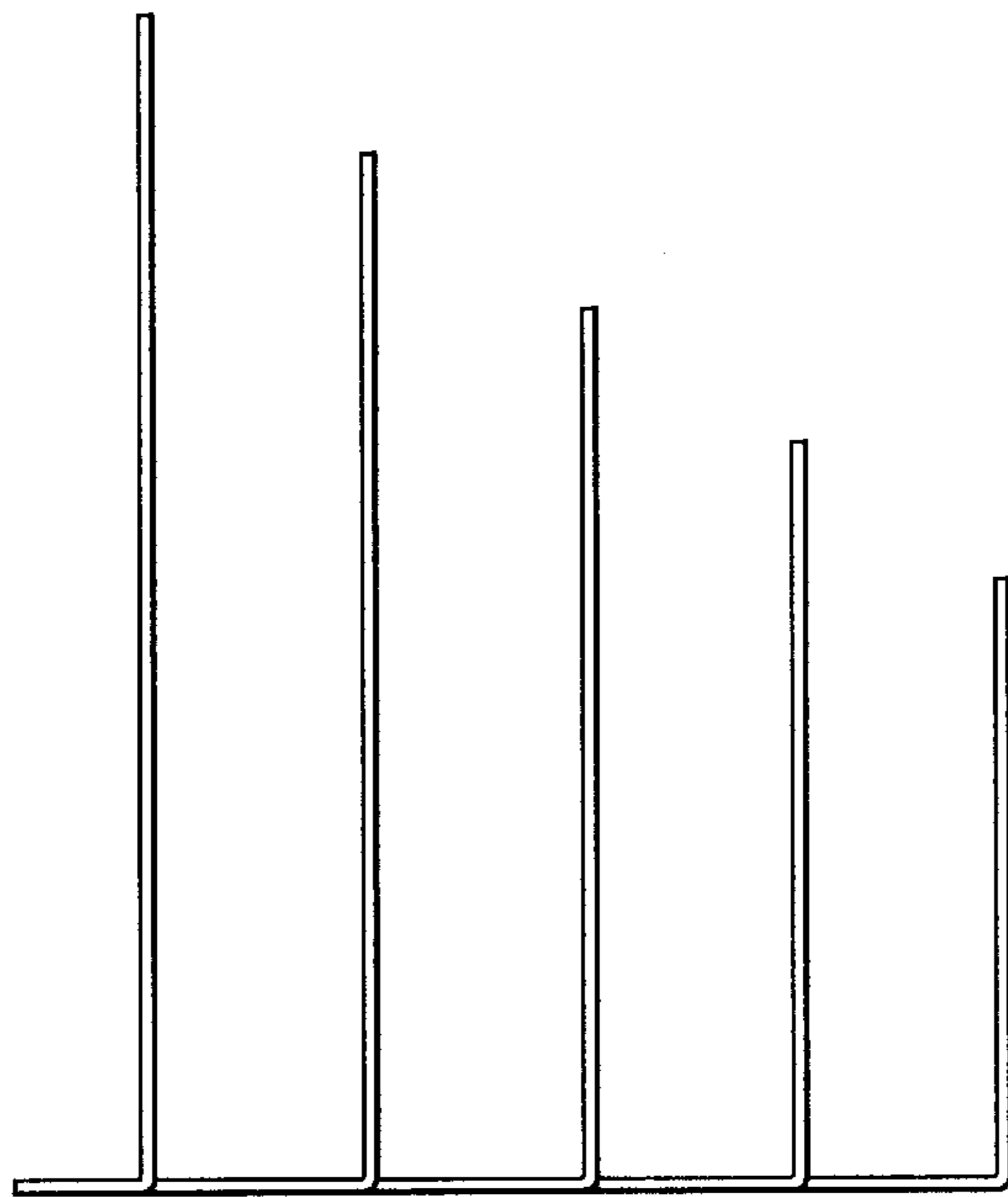


FIG. 3

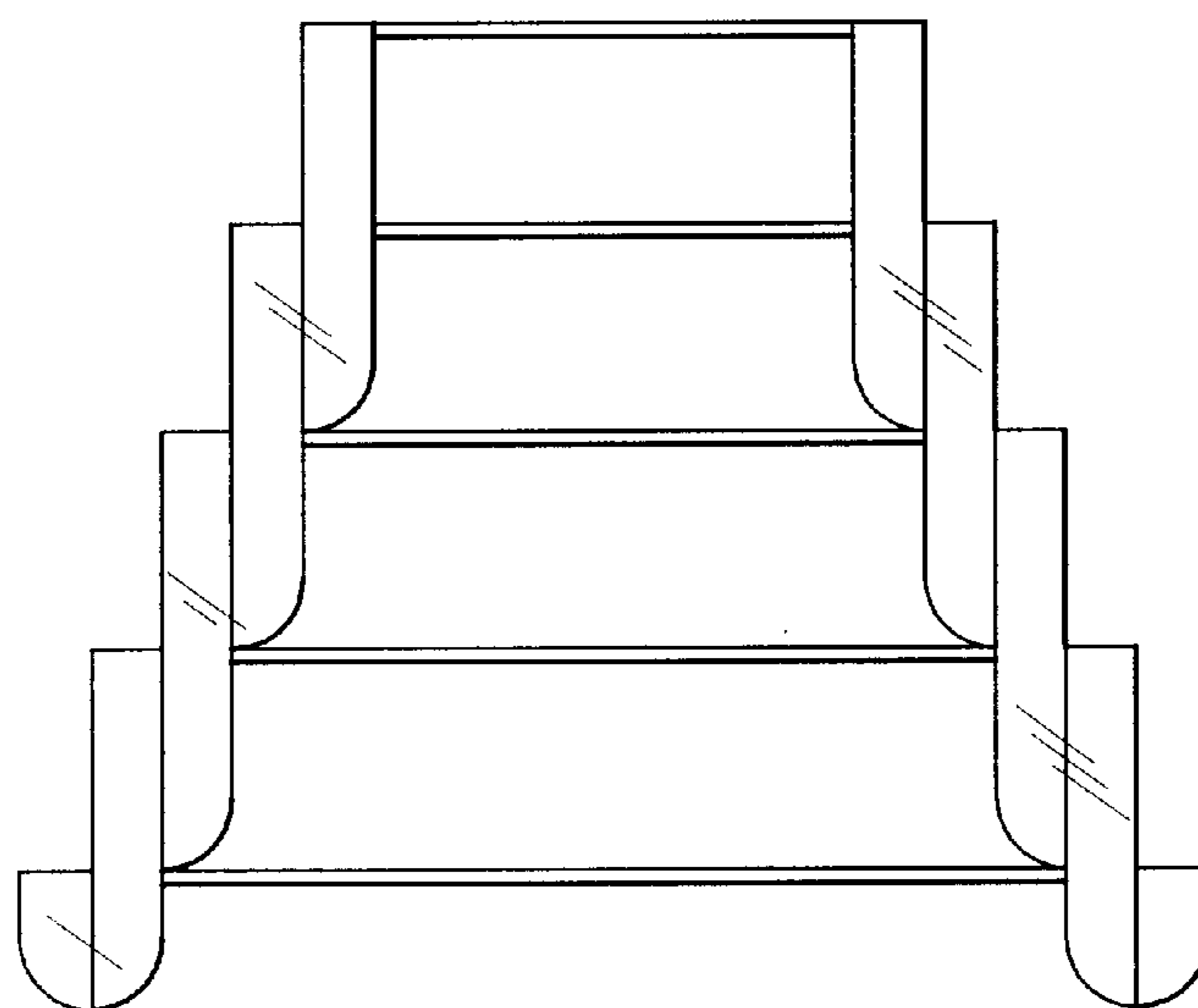


FIG. 4

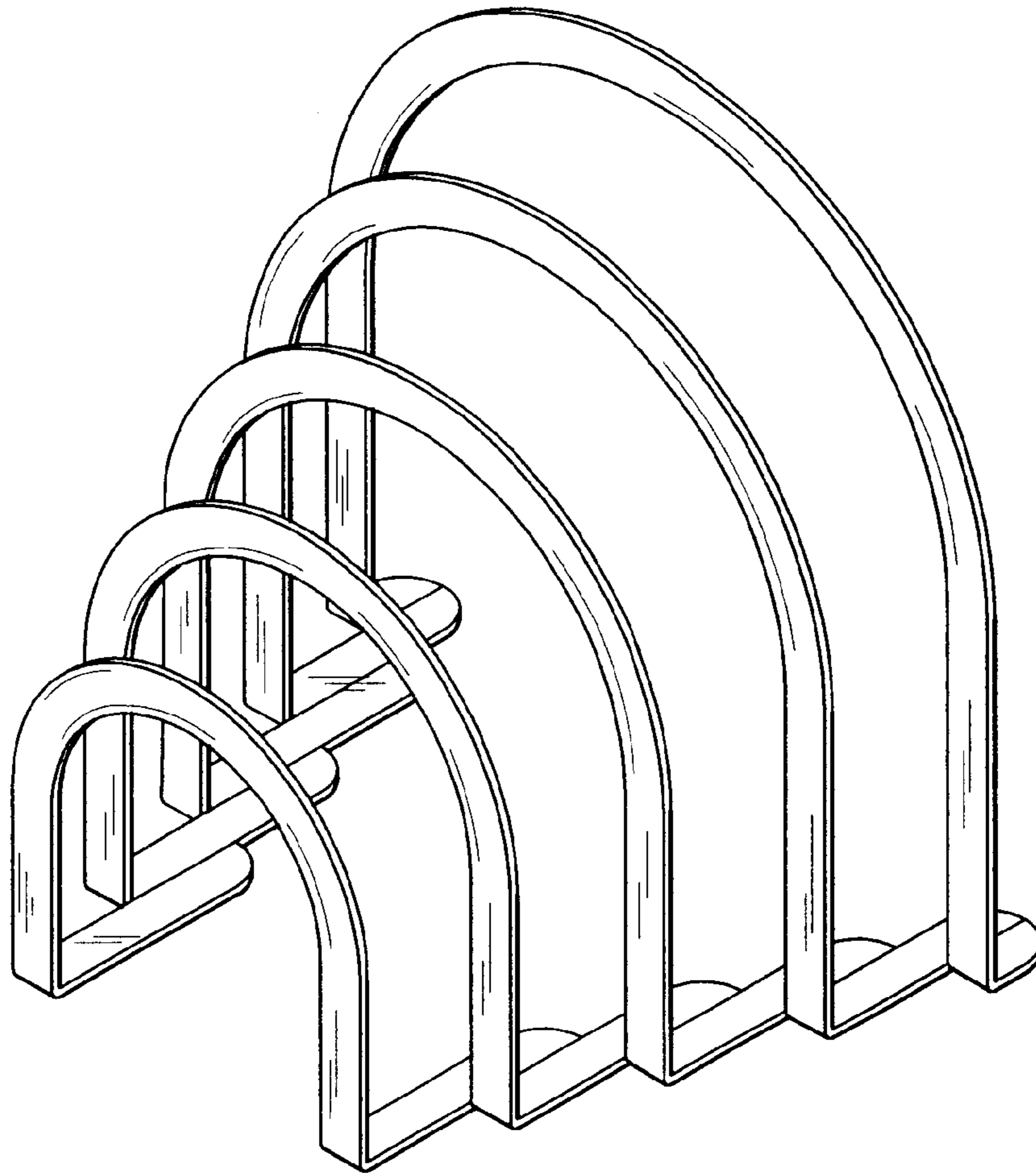


FIG. 5