



US00D550278S

(12) **United States Design Patent**
Farneti

(10) **Patent No.:** **US D550,278 S**

(45) **Date of Patent:** **** Sep. 4, 2007**

(54) **APPARATUS FOR THE FORMATION OF BOOK COVERS**

D443,634 S * 6/2001 Hefty D18/34.1
D483,398 S * 12/2003 Mori et al. D18/34.1
6,672,816 B2 * 1/2004 Mori et al. 412/38

(75) Inventor: **Aldo Farneti**, Milan (IT)

FOREIGN PATENT DOCUMENTS

(73) Assignee: **Colibri' System S.p.A.**, Milan (IT)

GB 2047147 * 8/1995
WO DM/050928 * 2/2000

(**) Term: **14 Years**

* cited by examiner

(21) Appl. No.: **29/245,566**

Primary Examiner—Charles A. Rademaker

(22) Filed: **Dec. 27, 2005**

(74) *Attorney, Agent, or Firm*—Jacobson Holman PLLC

(51) **LOC (8) Cl.** **18-04**

(57) **CLAIM**

(52) **U.S. Cl.** **D18/34.1**

(58) **Field of Classification Search** D18/34.1–34.9;
D8/49, 50, 72–74; 412/13, 40, 38, 42, 43;
271/3.02, 162–164, 223–224, 208; D15/199;
156/147, 479, 578, 908; 281/27.1–27.3

The ornamental design for an apparatus for the formation of book covers, as shown and described.

See application file for complete search history.

DESCRIPTION

(56) **References Cited**

FIG. 1 is a perspective view of an apparatus for the formation of book covers showing my new design;

U.S. PATENT DOCUMENTS

FIG. 2 is top plan view thereof;

3,728,751 A * 4/1973 Nes 412/43
D263,970 S * 4/1982 Wiholm D18/34.1
5,051,050 A * 9/1991 Scharer 412/40
D320,407 S * 10/1991 Lathrop et al. D18/34.1
D353,603 S * 12/1994 Hamrin D15/199
D376,813 S * 12/1996 Haug et al. D18/34.1
D380,488 S * 7/1997 Elstad et al. D18/34.1
D435,585 S * 12/2000 Chiang et al. D18/34.1

FIG. 3 is a rear elevation thereof;

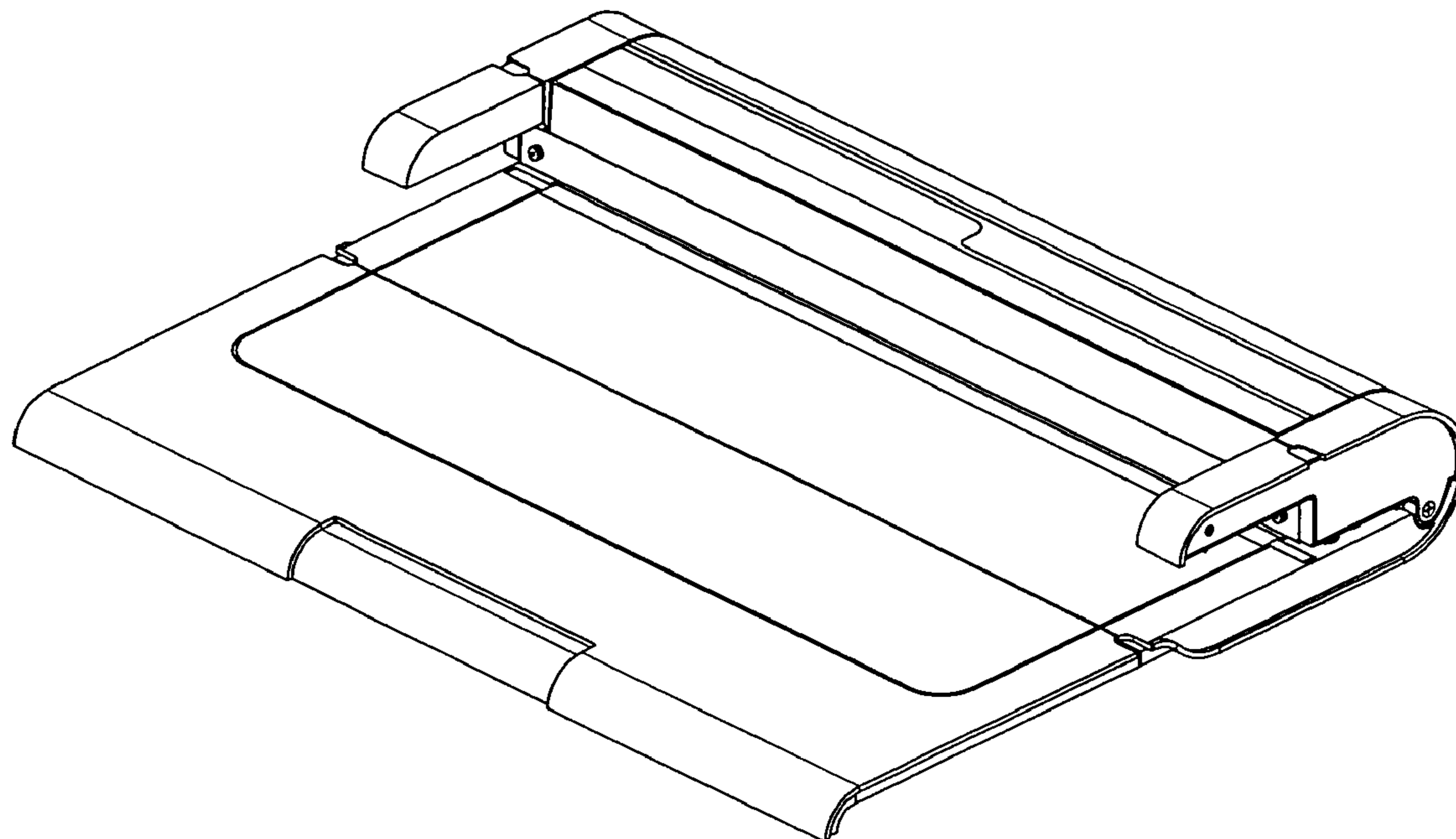
FIG. 4 is a front elevation thereof;

FIG. 5 is a right side elevation thereof;

FIG. 6 is a left side elevation thereof; and,

FIG. 7 is a bottom plan thereof.

1 Claim, 3 Drawing Sheets



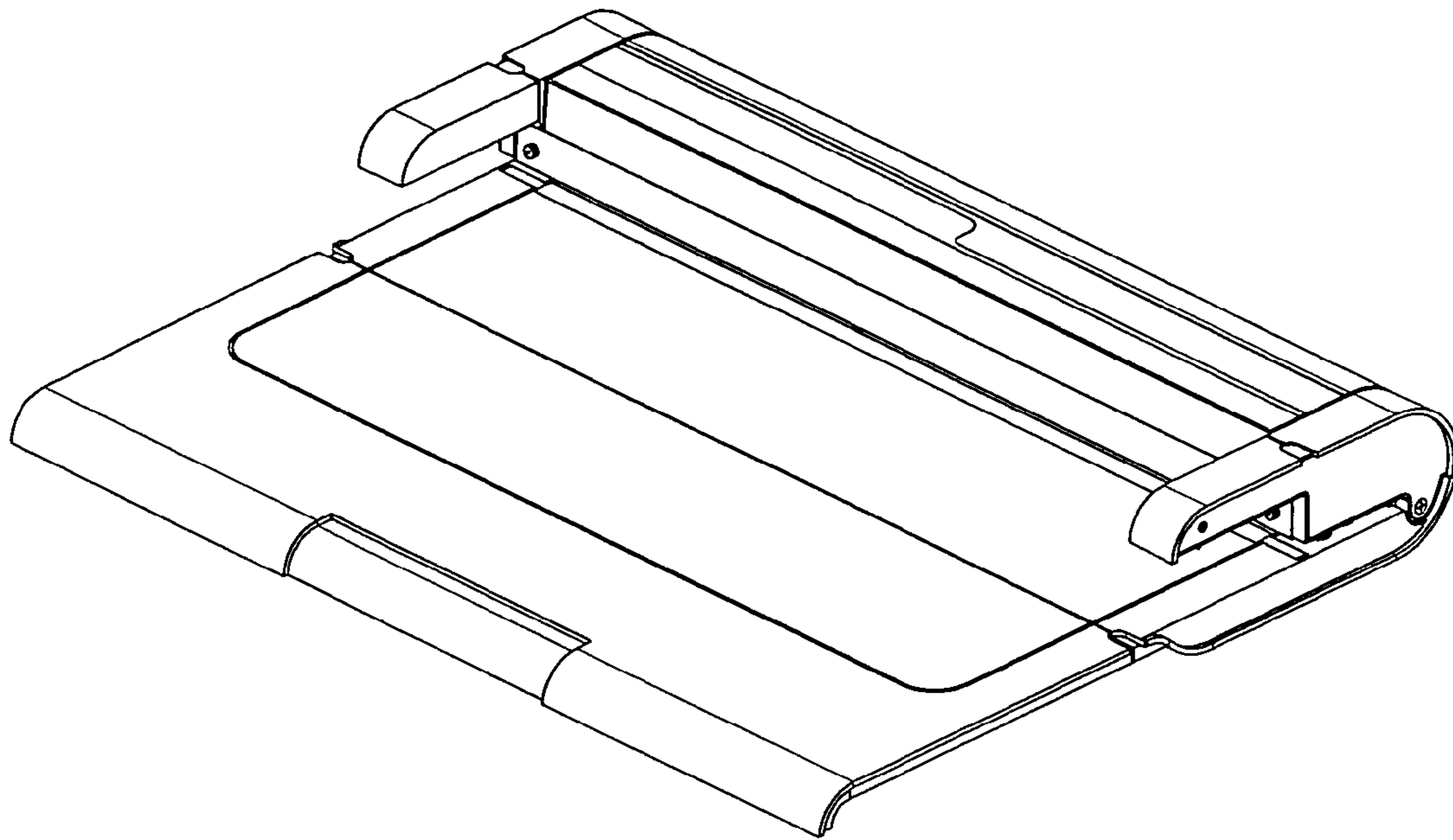


Fig. 1

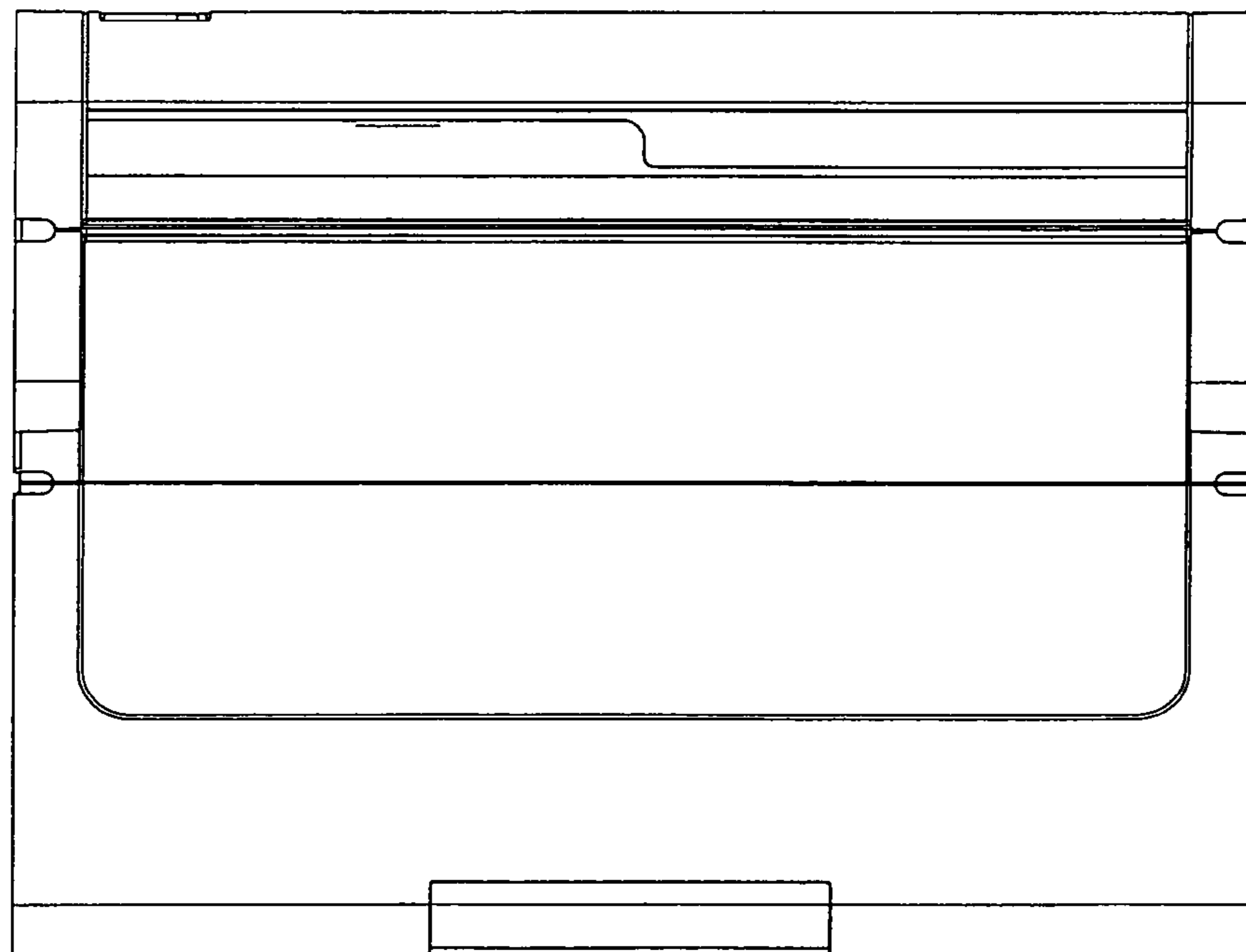


Fig. 2

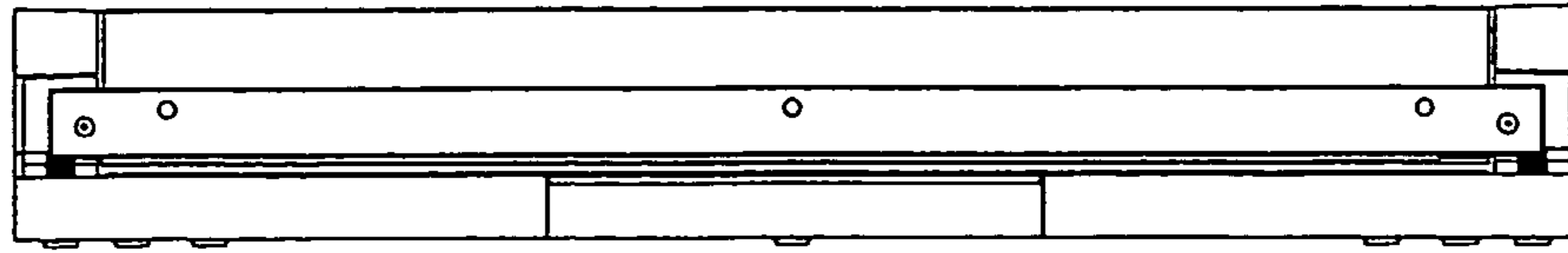


Fig. 3

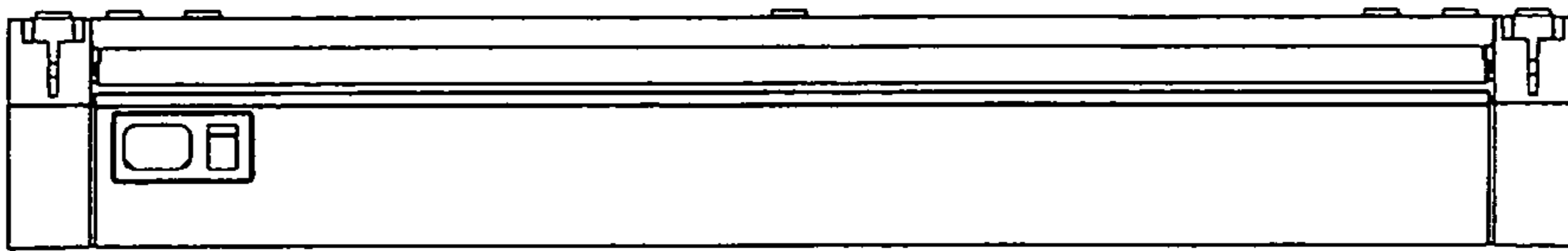


Fig. 4

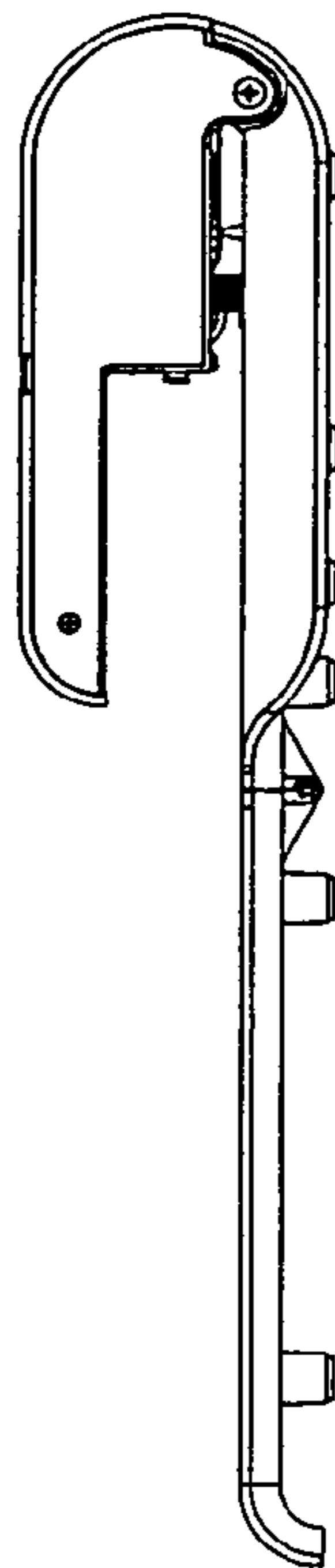


Fig. 5

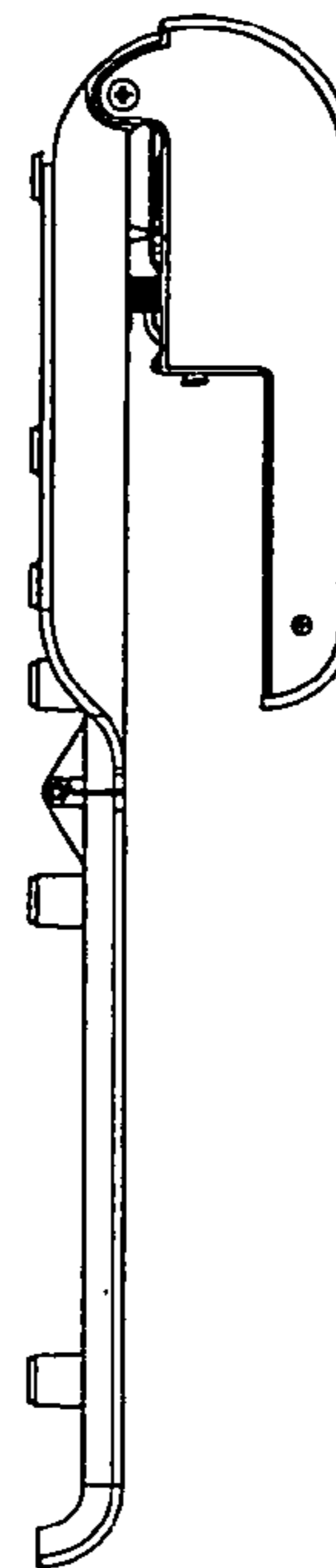


Fig. 6

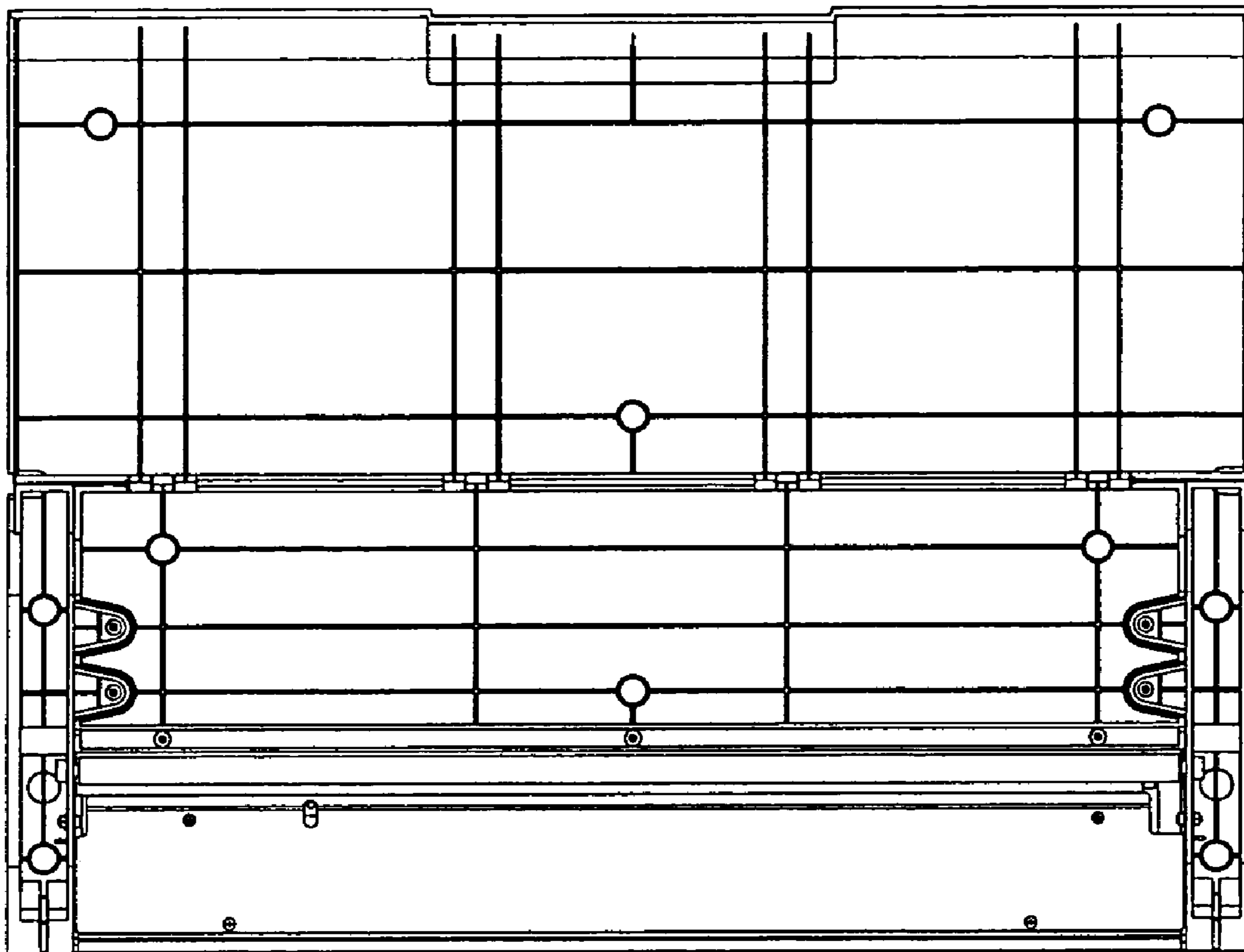


Fig. 7