



US00D550274S

(12) **United States Design Patent**
Tentindo

(10) **Patent No.:** **US D550,274 S**
(45) **Date of Patent:** **** Sep. 4, 2007**

(54) **PORTABLE KEYBOARD**

(76) Inventor: **Charles A. Tentindo**, 1140 E. Ocean Blvd., #133, Long Beach, CA (US) 90802

(**) Term: **14 Years**

(21) Appl. No.: **29/256,679**

(22) Filed: **Mar. 23, 2006**

(51) **LOC (8) Cl.** **17-01**

(52) **U.S. Cl.** **D17/1; D17/2**

(58) **Field of Classification Search** D17/1, D17/2, 7, 9, 18; 84/13, 423 R, 172-174, 84/176, 327, 178-180, 376 A, 719, 720, 84/744, 745

See application file for complete search history.

(56) **References Cited**

U.S. PATENT DOCUMENTS

| | | | | | |
|-----------|------|---------|------------|-------|----------|
| 3,541,912 | A * | 11/1970 | Radke | | 84/715 |
| D245,197 | S * | 7/1977 | Noury, Jr. | | D17/1 |
| 4,126,070 | A * | 11/1978 | Hill | | 84/718 |
| D256,366 | S * | 8/1980 | Dworsky | | D17/1 |
| D296,338 | S * | 6/1988 | Sgroi | | D17/1 |
| D312,264 | S * | 11/1990 | Amiya | | D17/1 |
| 5,029,796 | A * | 7/1991 | Schoenig | | 248/443 |
| D349,127 | S * | 7/1994 | Nelson | | D17/1 |
| 6,740,800 | B1 * | 5/2004 | Cunningham | | 84/423 R |
| D539,331 | S * | 3/2007 | Blake | | D17/20 |

* cited by examiner

Primary Examiner—Ian Simmons

Assistant Examiner—R. Johnson

(74) *Attorney, Agent, or Firm*—Klein, O'Neill & Singh, LLP; James G. O'Neill

(57) **CLAIM**

The ornamental design for a portable keyboard, as shown and described.

DESCRIPTION

FIG. 1 is a front elevational view of the portable keyboard of the present invention held in a vertical position in a supporting base;

FIG. 2 is a rear elevational view of FIG. 1;

FIG. 3 is a left side elevational view of FIG. 1;

FIG. 4 is a right side elevational view of FIG. 1;

FIG. 5 is a top plan view of FIG. 1;

FIG. 6 is a bottom plan view of FIG. 1;

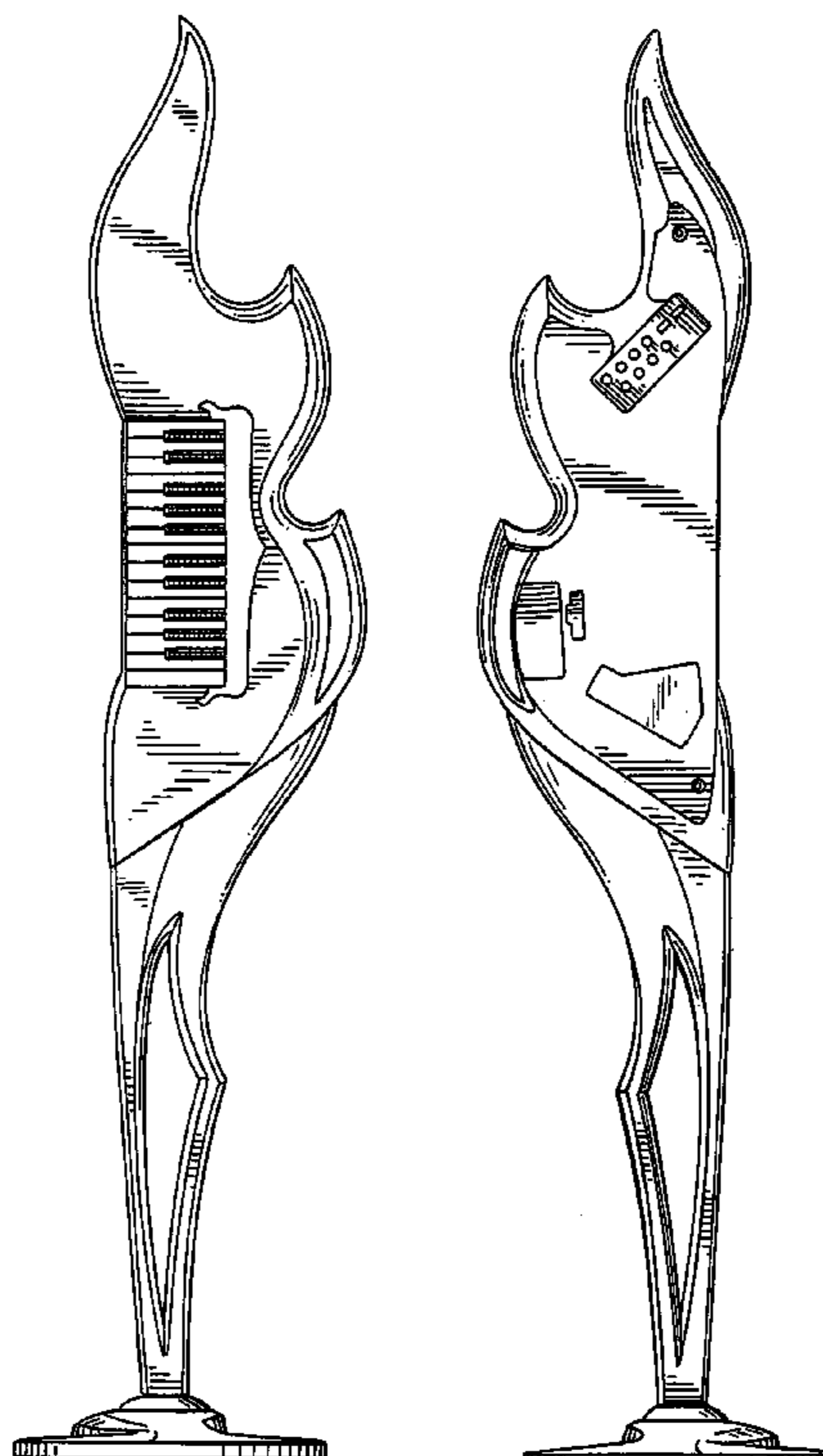
FIG. 7 is an exploded view thereof; the broken lines shown are for illustrative purposes only and form no part of the claimed design;

FIG. 8 is a front elevational view of the top portion of FIG. 7; and,

FIG. 9 is a rear elevational view of FIG. 8.

The broken line showing of a carrying strap secured to holding elements on the rear of the top portion in FIGS. 8 and 9 is for illustrative purposes only and forms no part of the claimed design.

1 Claim, 4 Drawing Sheets



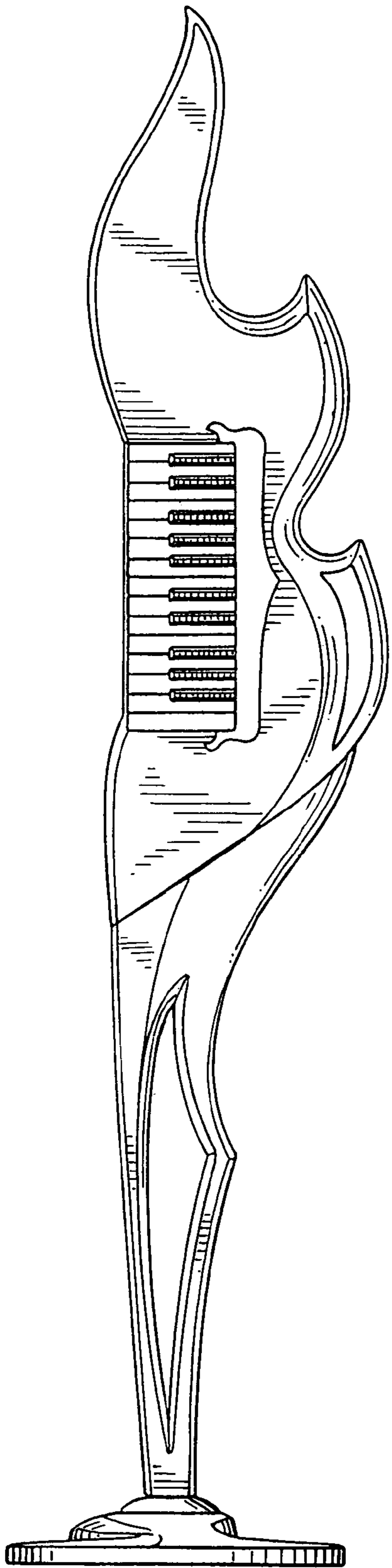


FIG. 1

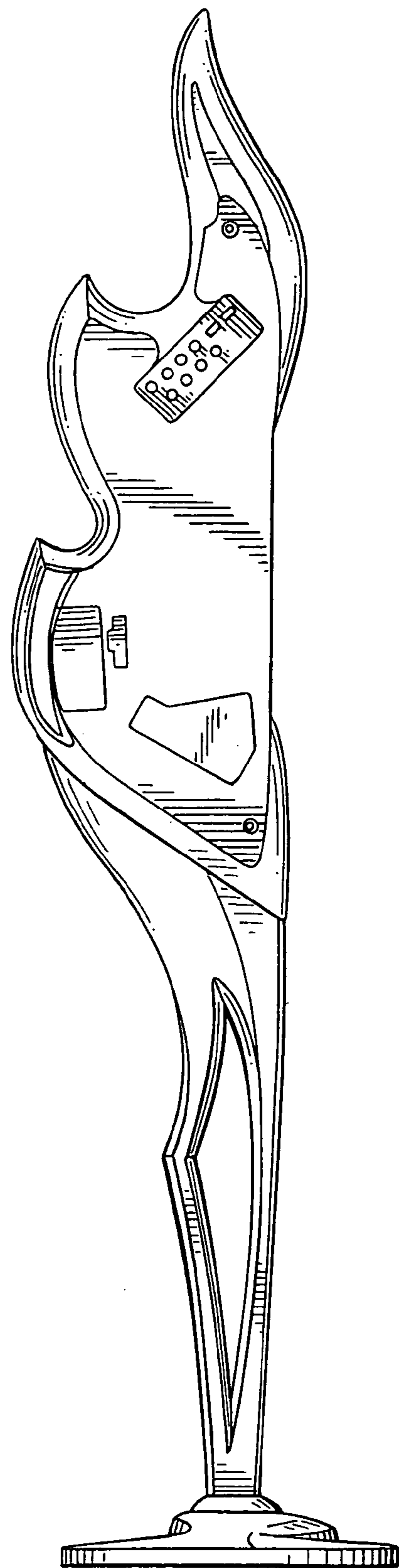


FIG. 2

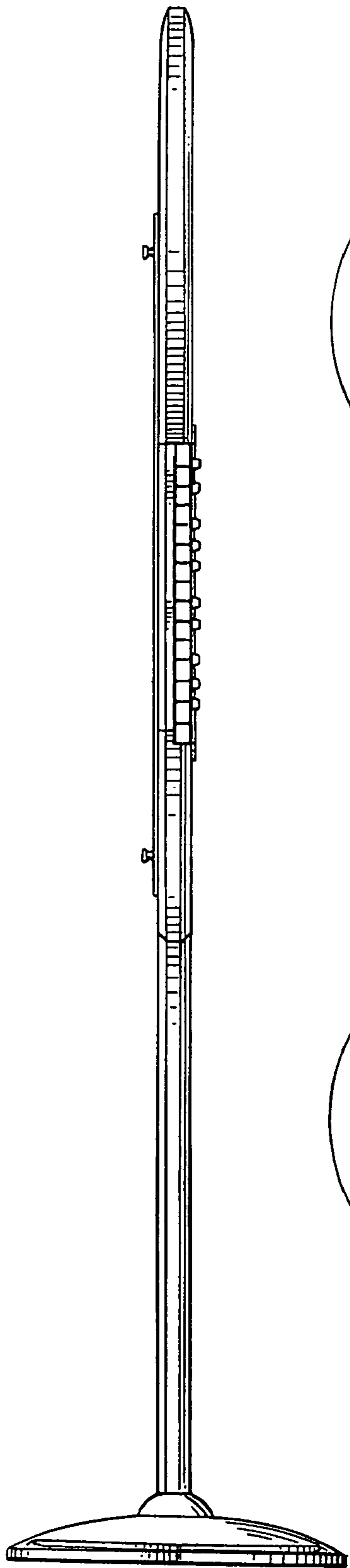


FIG. 3

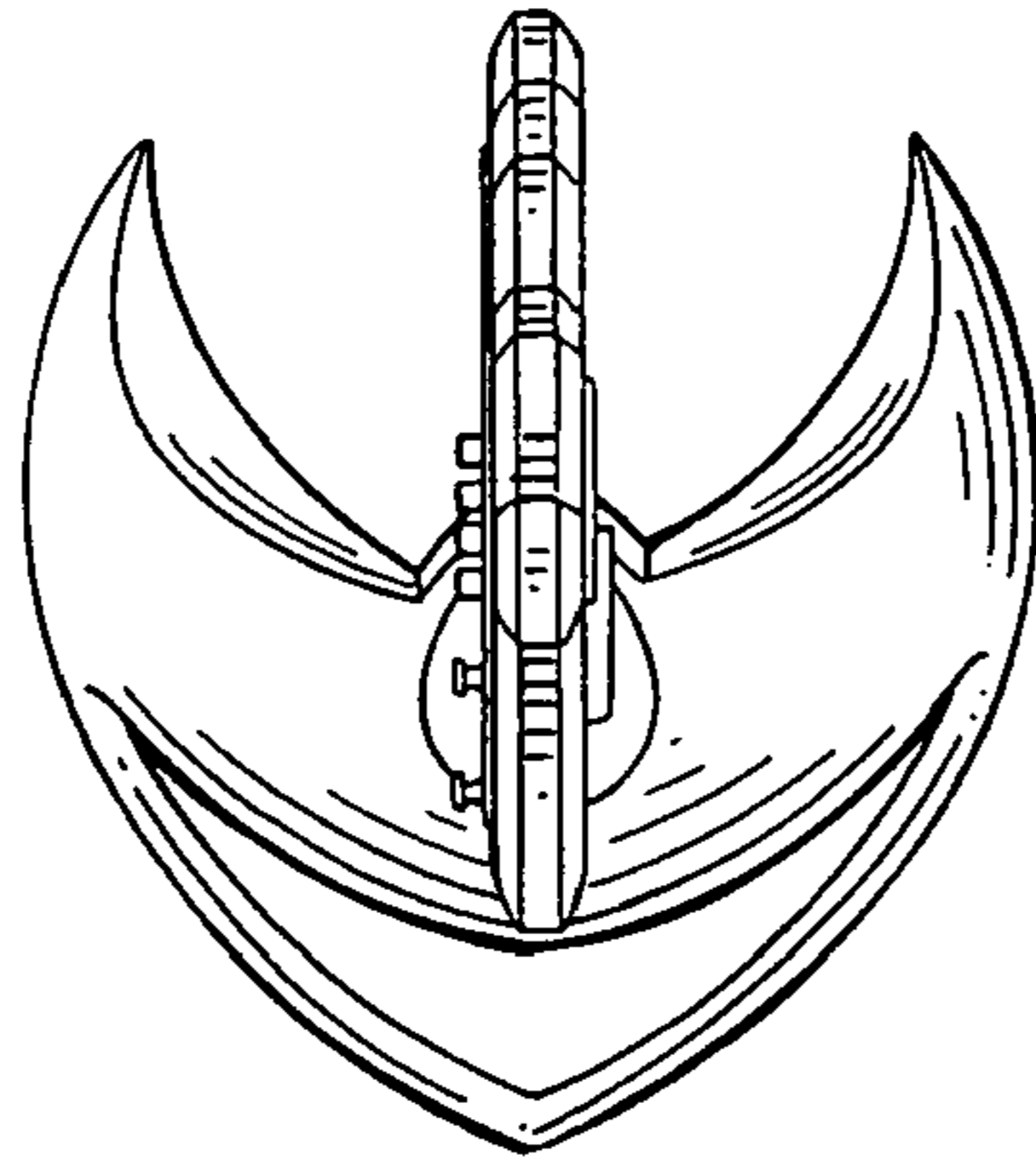


FIG. 5

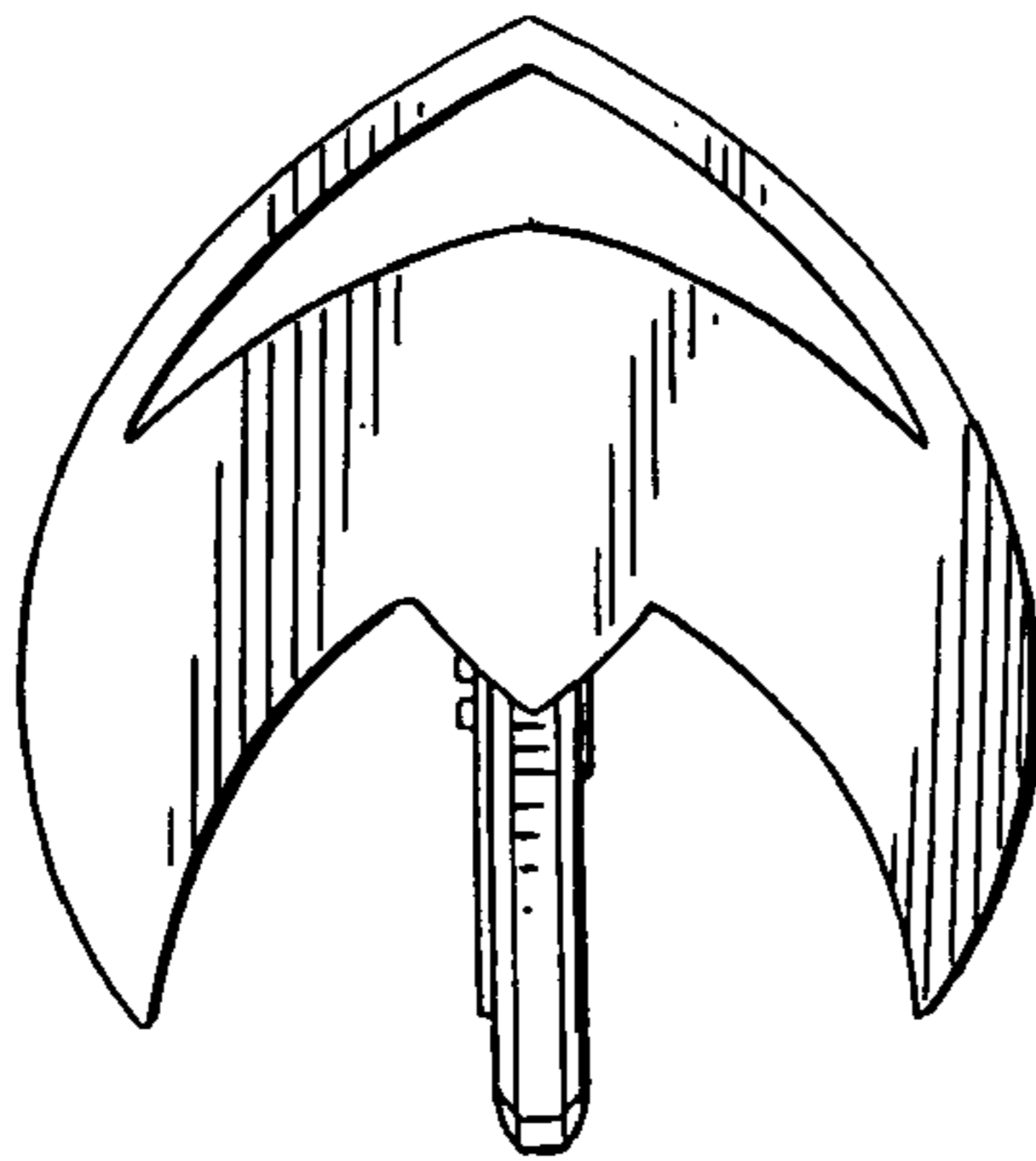


FIG. 6

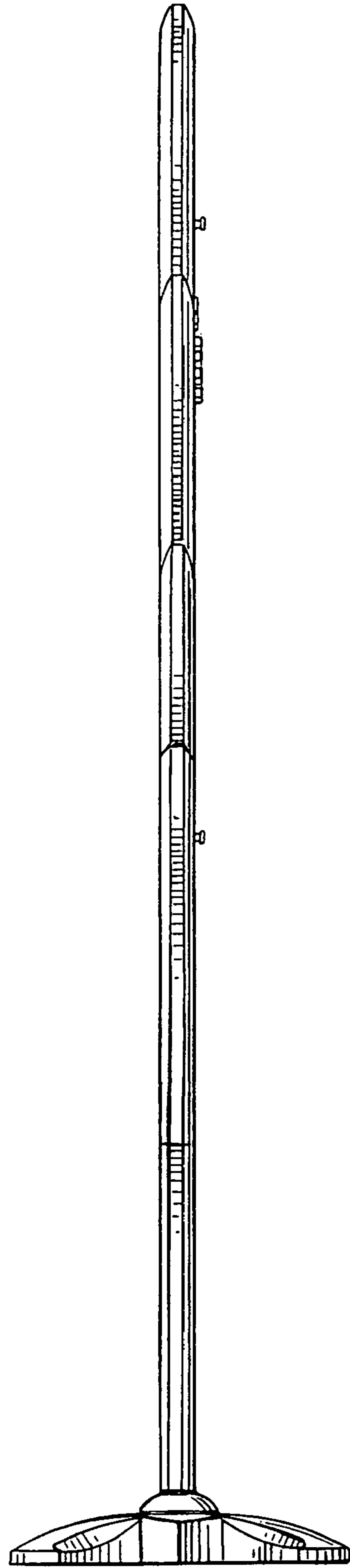
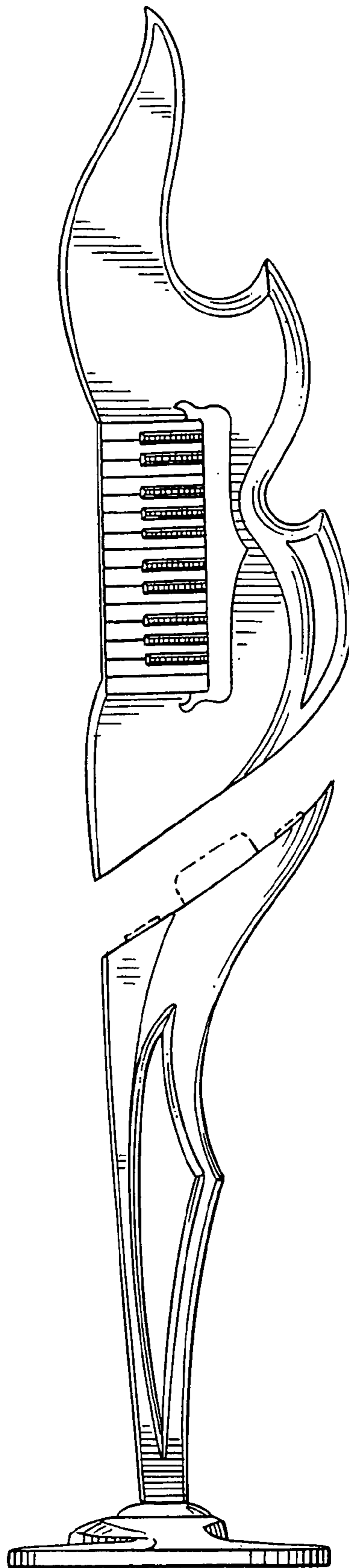


FIG. 4

FIG. 7



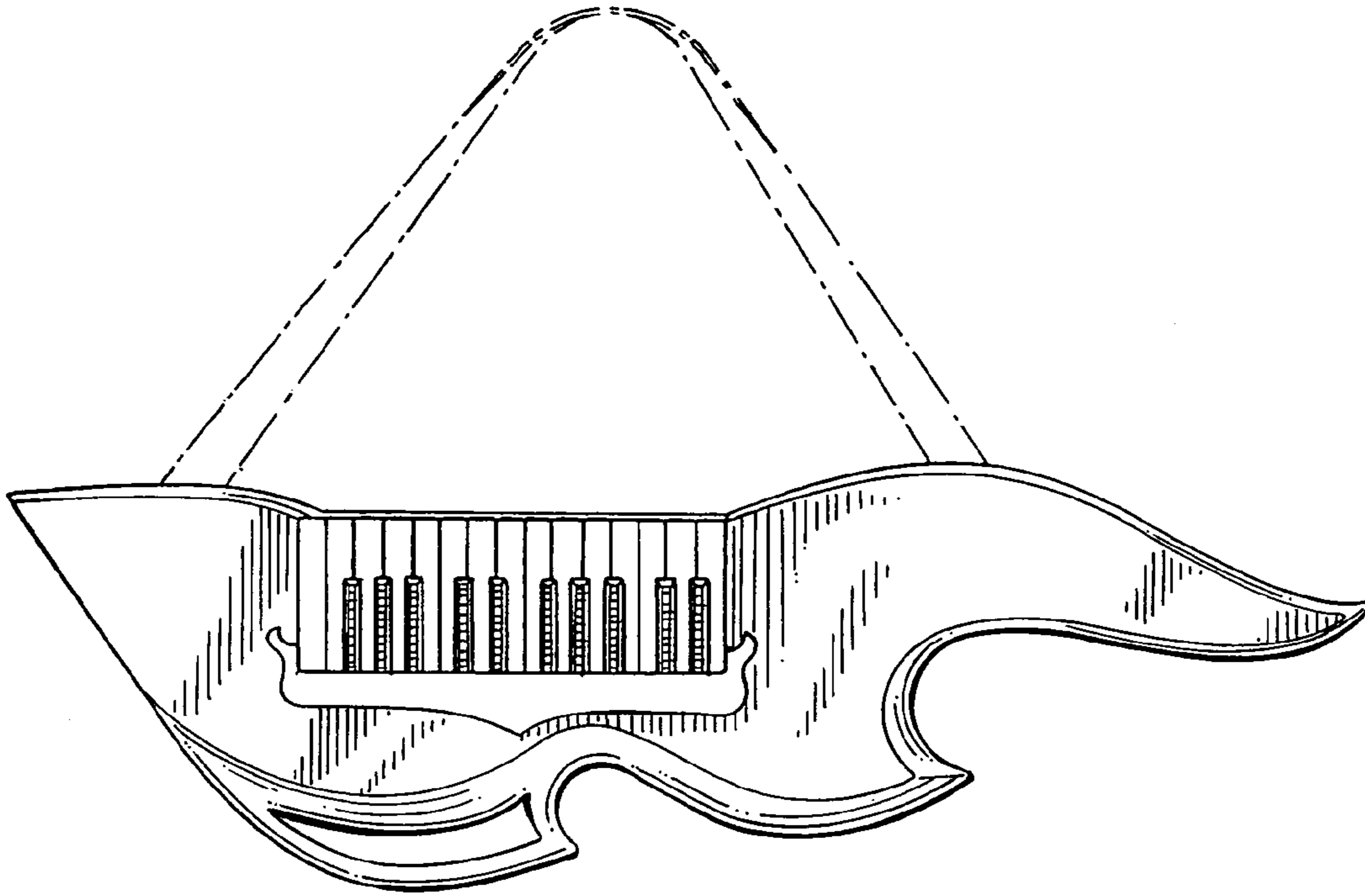


FIG. 8

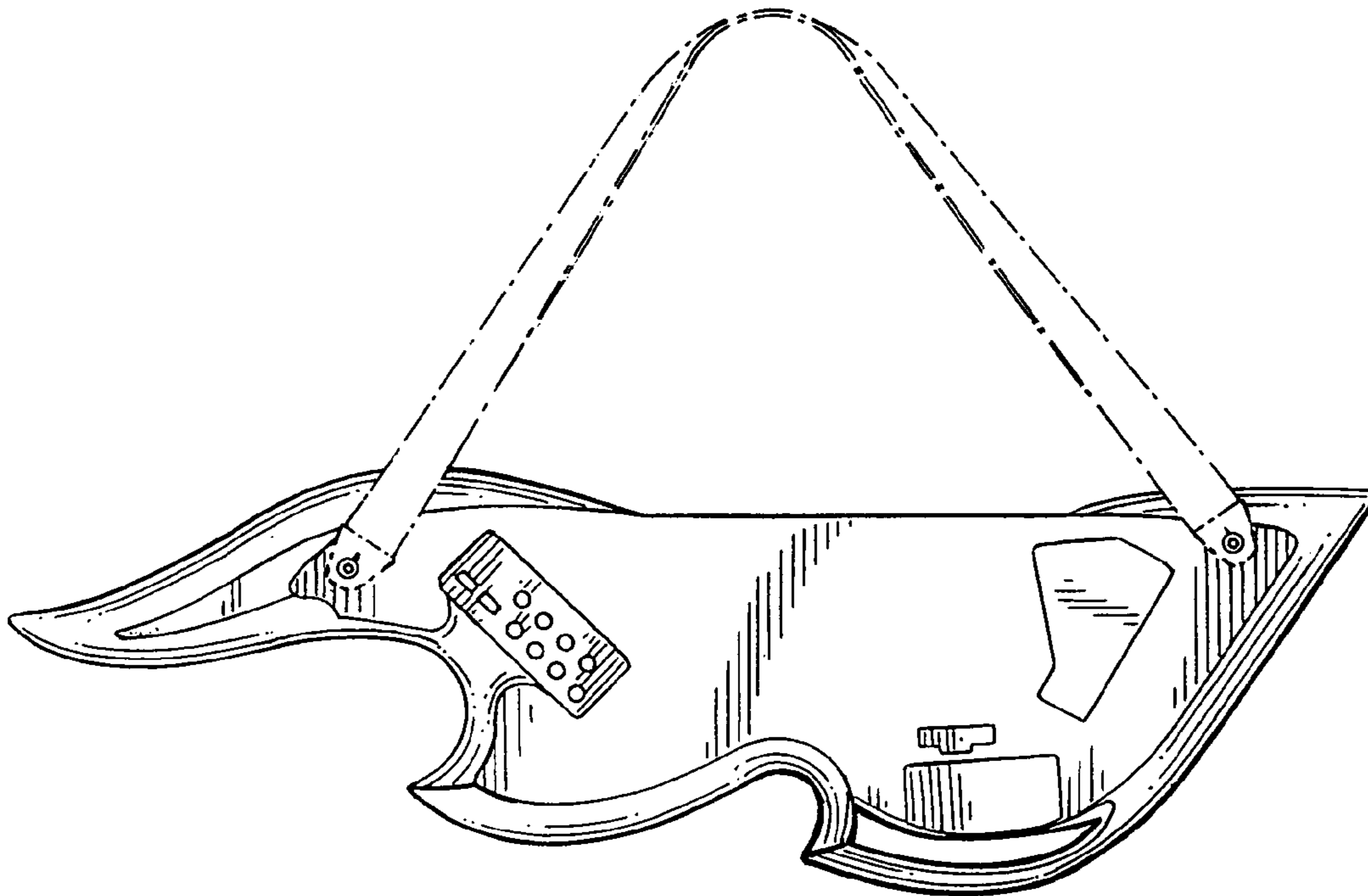


FIG. 9