



US00D550270S

(12) **United States Design Patent**
Astill

(10) **Patent No.:** **US D550,270 S**

(45) **Date of Patent:** **** Sep. 4, 2007**

(54) **PROJECTION SCREEN**

(75) Inventor: **Gary James Astill**, Leicestershire (GB)

(73) Assignee: **Lastolite Limited** (GB)

(**) Term: **14 Years**

(21) Appl. No.: **29/271,416**

(22) Filed: **Jan. 18, 2007**

Related U.S. Application Data

(62) Division of application No. 29/252,427, filed on Jan. 23, 2006.

(30) **Foreign Application Priority Data**

Jul. 22, 2005 (GB) 3021936

(51) **LOC (8) Cl.** **16-05**

(52) **U.S. Cl.** **D16/241; D6/300**

(58) **Field of Classification Search** D6/300,
D6/309, 310; D16/241, 235; D20/10; 160/24,
160/37, 38, 39; 359/443, 461, 459, 460;
362/319, 320, 352; 396/3, 4; 400/700
See application file for complete search history.

(56) **References Cited**

U.S. PATENT DOCUMENTS

D38,780 S * 9/1907 Beach D6/300

D39,640 S * 10/1908 Eustis D6/300
4,006,965 A * 2/1977 Takada et al. 359/443
D309,679 S * 8/1990 Ackeret D6/300
D372,591 S * 8/1996 Brunner et al. D6/300
D504,574 S * 5/2005 Fonfeder D6/300
D506,074 S * 6/2005 Chen et al. D6/300
D506,876 S * 7/2005 Mohundro D6/300
D514,821 S * 2/2006 Mohundro D6/300

* cited by examiner

Primary Examiner—Ian Simmons

Assistant Examiner—Wan Laymon

(74) *Attorney, Agent, or Firm*—Young Basile

(57) **CLAIM**

The ornamental design for a projection screen, as shown and described.

DESCRIPTION

FIG. 1 is a front perspective view of a projection screen showing my new design;

FIG. 2 is a front view thereof;

FIG. 3 is a top plan view thereof;

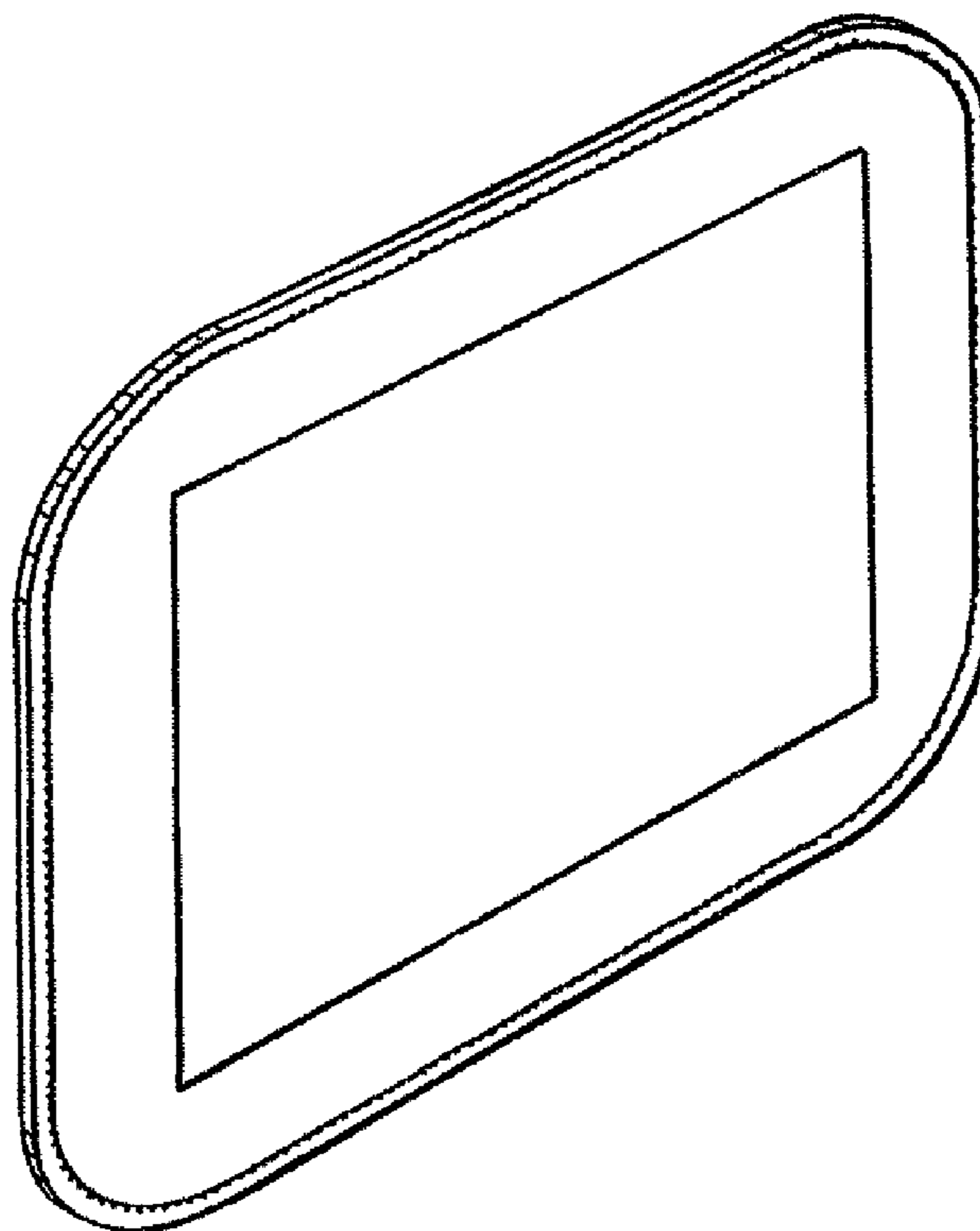
FIG. 4 is a right hand view thereof;

FIG. 5 is a left hand view thereof;

FIG. 6 is a bottom plan view thereof; and,

FIG. 7 is a rear view thereof.

1 Claim, 3 Drawing Sheets



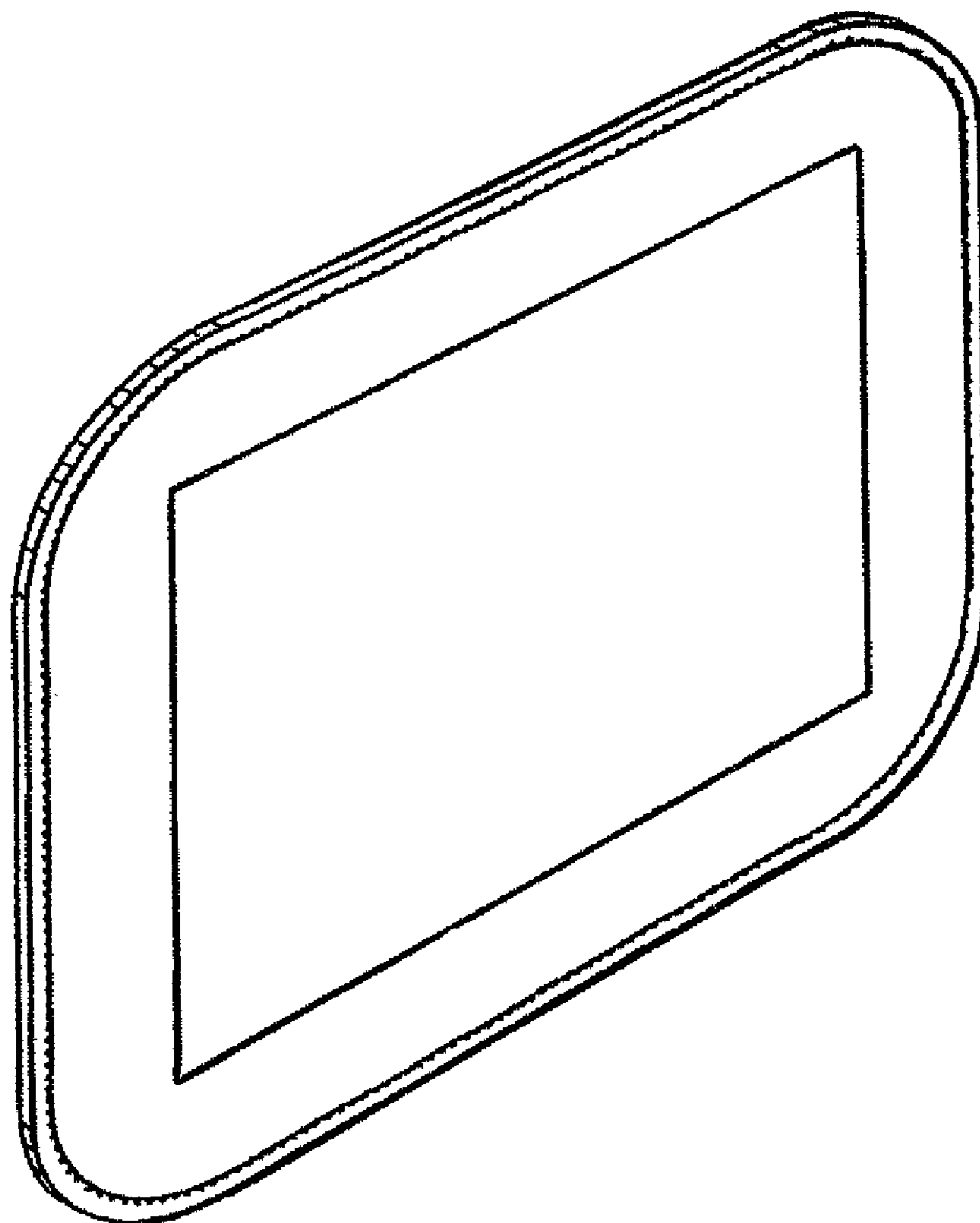


FIG. 1

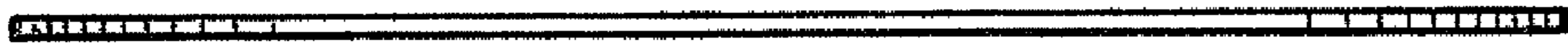


FIG. 3

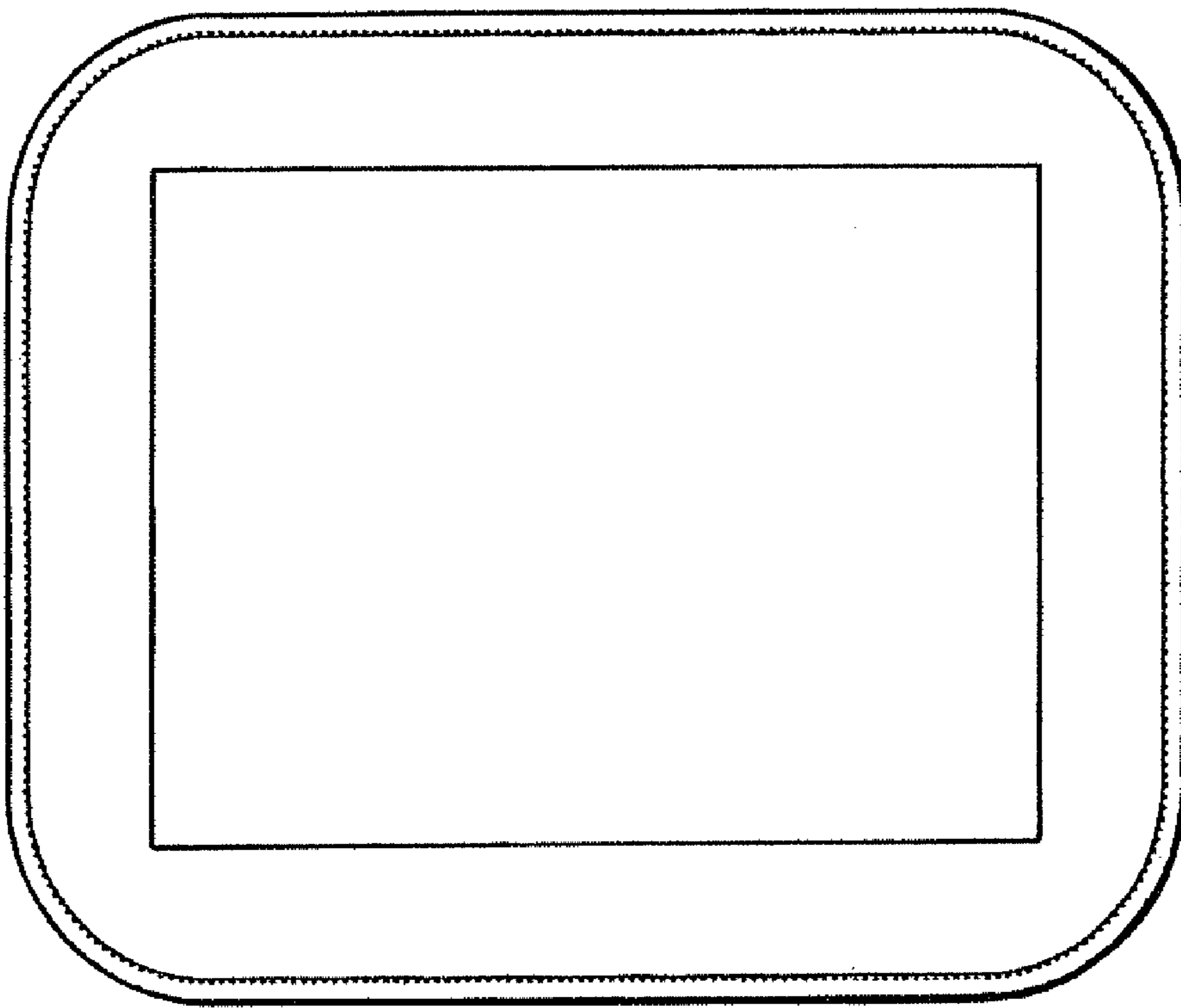


FIG. 2



FIG. 4



FIG. 5

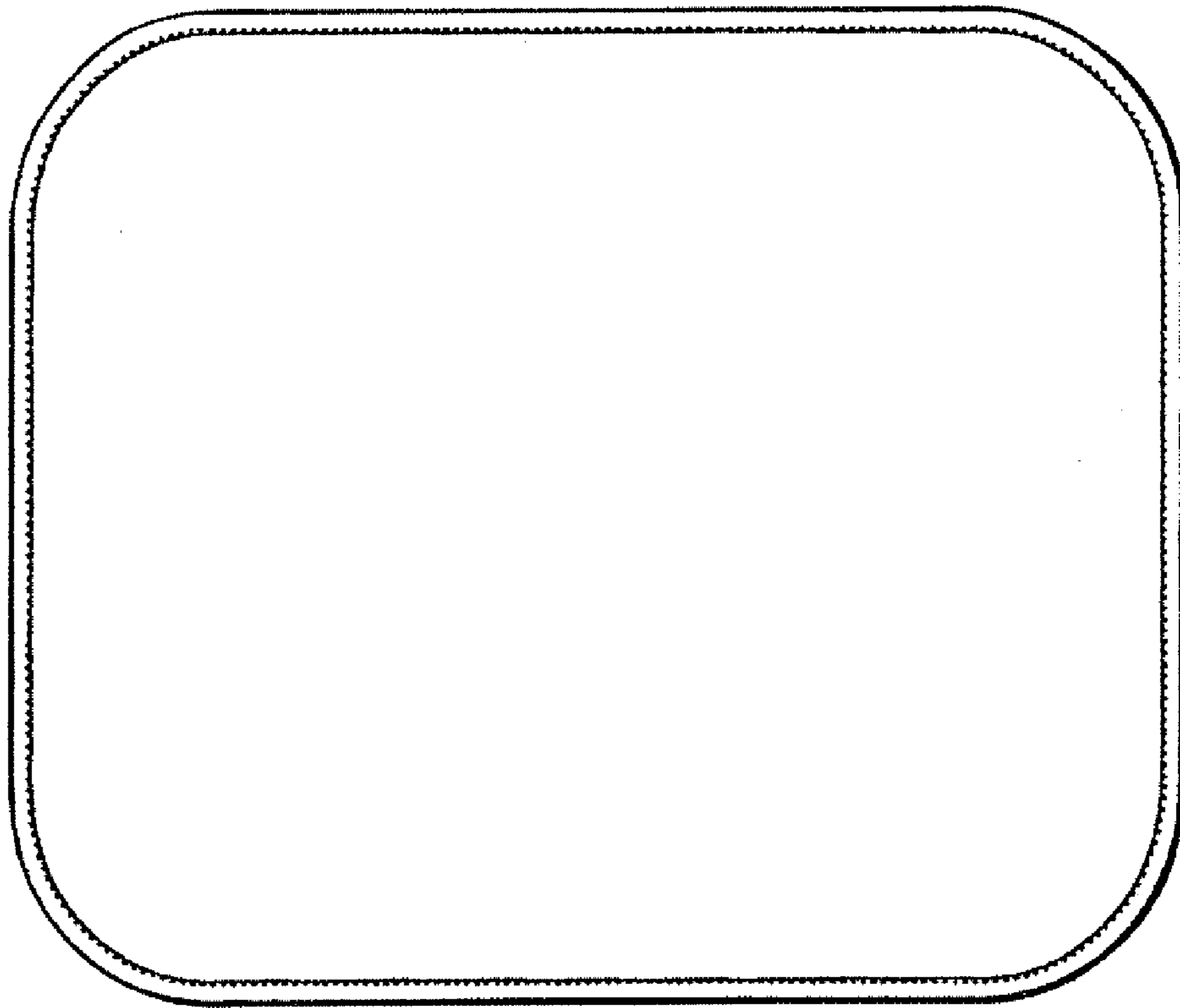


FIG. 7

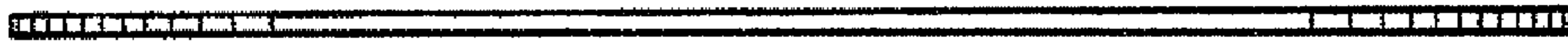


FIG. 6